

NOTES:

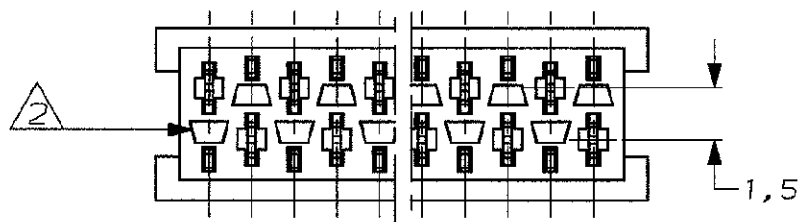
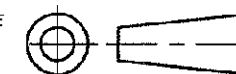
- ⚠ DIRECTION OF KINK OPTIONAL.
- ⚠ CORING OUT IS OPTIONAL.

DO NOT SCALE

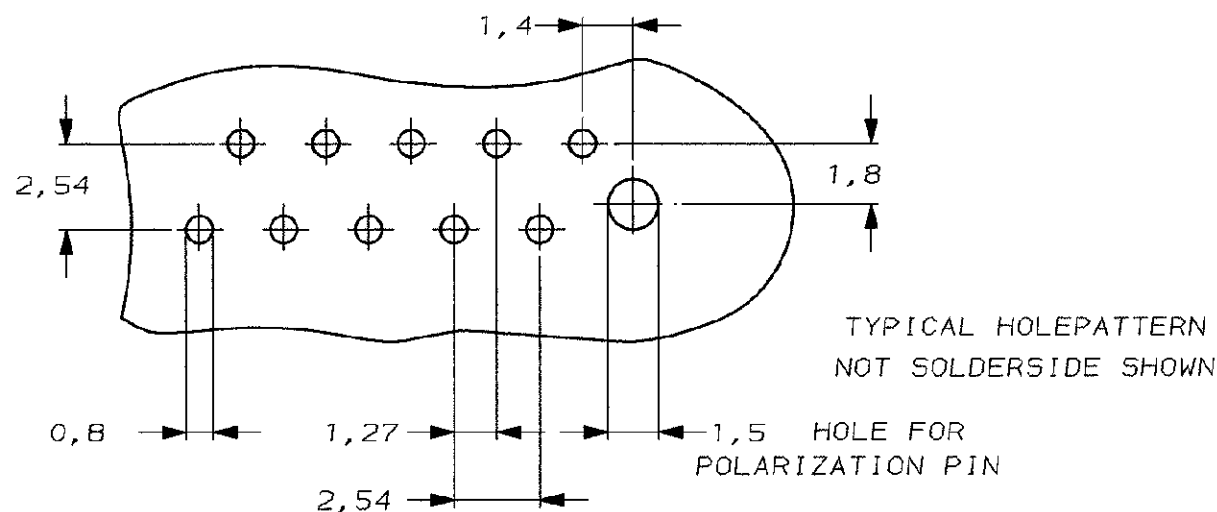
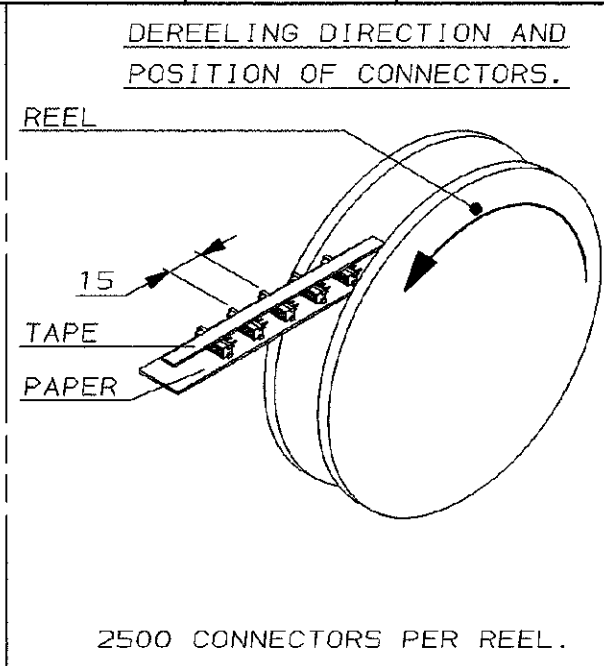
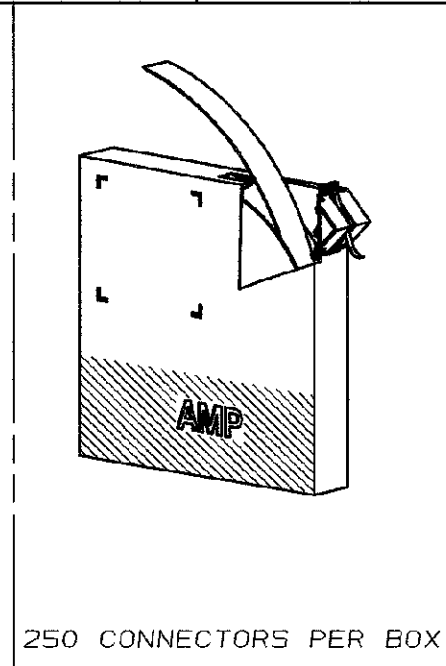
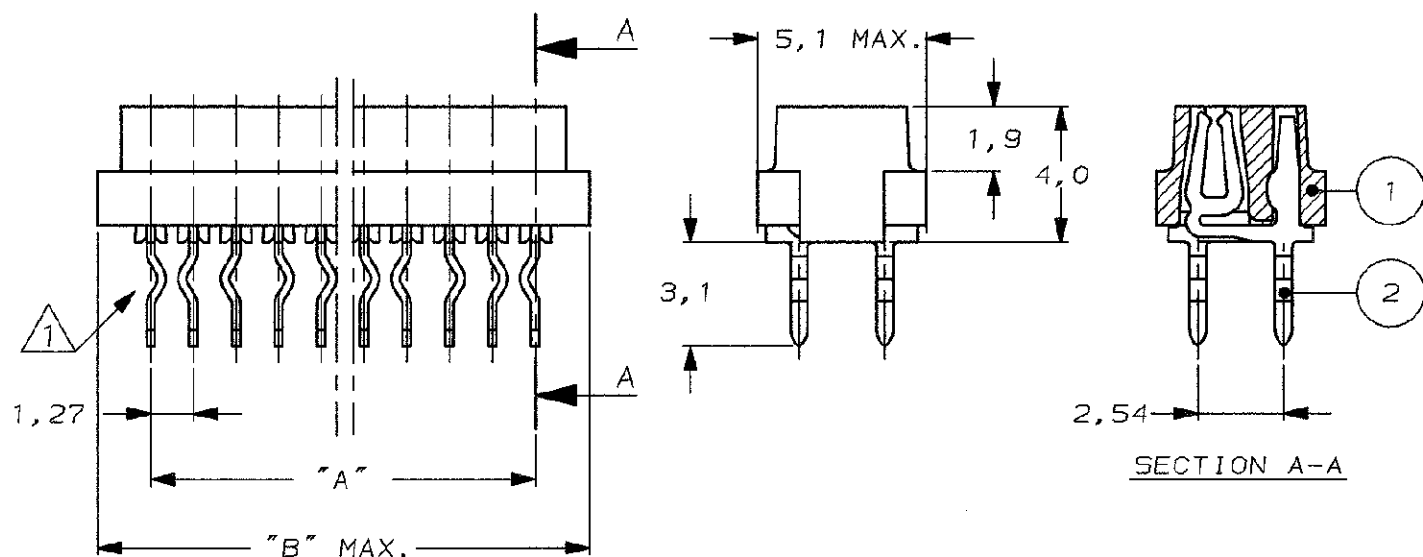
DIMENSIONS IN mm

METRIC

THIRD ANGLE
PROJECTION



PARTNUMBER	PARTNUMBER	NUMBER OF POSITIONS	"A"	"B" MAX.
7-215079-4	0-215079-4	4	3,81	7,1
7-215079-6	0-215079-6	6	6,35	9,7
7-215079-8	0-215079-8	8	8,89	12,2
8-215079-0	1-215079-0	10	11,43	14,7
8-215079-2	1-215079-2	12	13,97	17,3
8-215079-4	1-215079-4	14	16,51	19,8
8-215079-6	1-215079-6	16	19,05	22,4
8-215079-8	1-215079-8	18	21,59	24,9
9-215079-0	2-215079-0	20	24,13	27,4



DESCRIPTION	MATERIAL	ITEM
FEMALE CONTACT	PHBR. PLATING: TIN-LEAD 93-7	2
HOUSING	GLASS FILLED POLYESTER (RED)	1

CUSTOMER DRAWING FOR REFERENCE ONLY WILL NOT BE UPDATED

© COPYRIGHT 19- BY AMP HOLLAND B.V. ALL INTERNATIONAL RIGHTS RESERVED. AMP PRODUCTS MAY BE COVERED BY U.S. AND FOREIGN AND/OR PATENTS PENDING.

THIS DRAWING IS UNPUBLISHED RELEASED FOR PUBLICATION

AMP AMP HOLLAND B.V. 's-Hertogenbosch, The Netherlands.

NAME: Micro-Match FEM. ON BOARD CONNECTOR

LTR.	REVISION RECORD	DR.	CHK.	DATE	
DR.	D. KESSLER	CHK.	01 JUL 97	APP.	-
DATE	-	DATE	-	DATE	-

DWG. No. C-215079

REV. LTR. T SHEET 1 OF 1