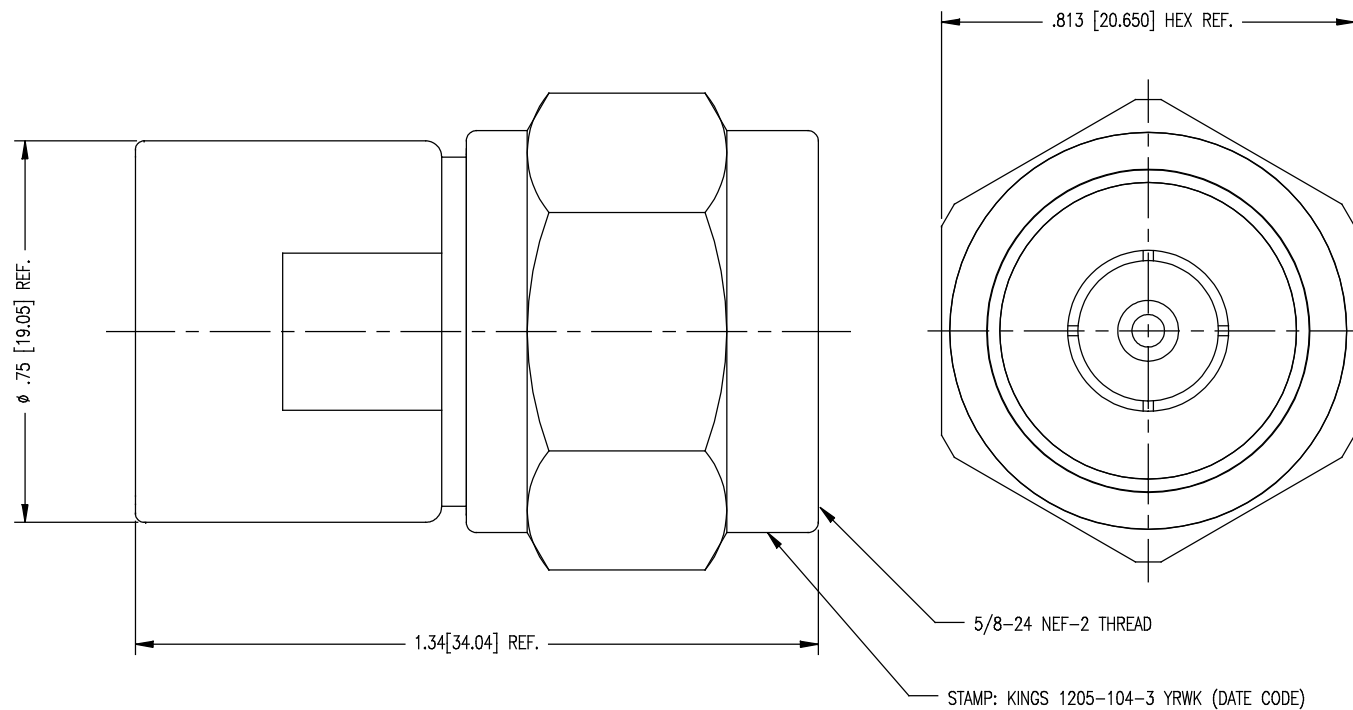


DASH NO.	M CODE	MADE FROM
----------	--------	-----------

GSD

1205-104-3



REVISIONS	
ISSUE	CHANGES
0	ER 39881 DRK 04/11/07

SCALE 4:1

APPROX SURFACE AREA

USED ON

REF: EQR 1166

N, PLUG

DRAWN DRK	DATE 03/29/07
-----------	---------------

DESIGN DRK	DATE 03/29/07
------------	---------------

APPR.	DATE
-------	------

KINGS
ELECTRONICS CO., INC.
ROCK HILL, SOUTH CAROLINA 29730

1205-104-3

GSD

NOTES:

- FOR USE WITH RG-8, 9, 213 & 214/U CABLE GROUPS, WITH ADDITIONAL CABLE RETAINING COMPONENTS.
- INTERFACE PER MIL-STD-348, FIG 304-1.
- MATERIALS:
 - INSULATORS: TEFLON, ASTM-D4894
 - CONTACT: BRASS, ASTM-B16.
 - GASKETS: SILICONE RUBBER, A-A-59588
 - C-RING } PHOSPHOR BRONZE, ASTM-B103
 - OUTER CONTACT }
 - ALL OTHER METAL PARTS: STAINLESS STEEL, SAE-AMS-QQ-S-763

- FINISHES:
 - CENTER CONTACT: GOLD PLATE, ASTM-B488
 - OUTER CONTACT: NICKEL PLATE, SAE-AMS-QQ-N-290
 - ALL OTHER METAL PARTS: STAINLESS STEEL PASSIVATION, ASTM-A967
- ELECTRICAL CHARACTERISTICS:
 - NOMINAL IMPEDANCE: 50 OHMS
 - WORKING VOLTAGE: 1000 VRMS
 - FREQUENCY RANGE: DC TO 11 GHz.