

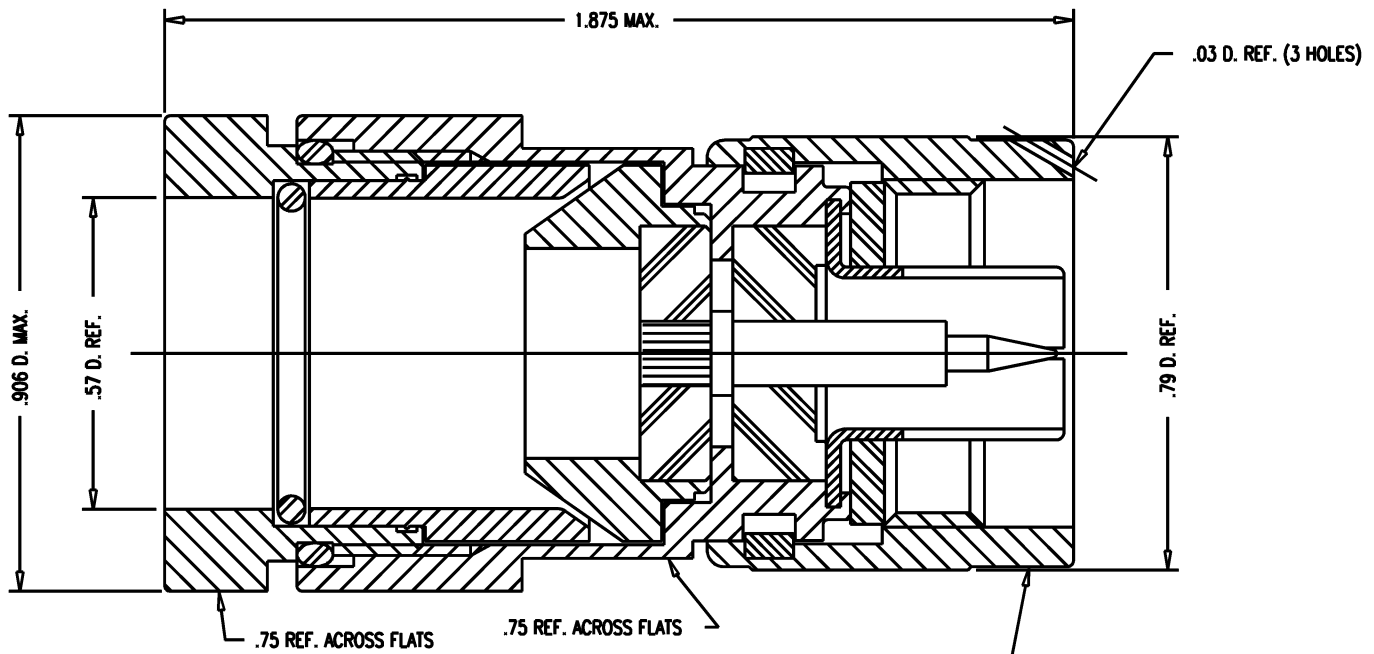
DASH NO.	M CODE	MADE FROM
----------	--------	-----------

GSD

M39012/01-0015

REVISIONS

ISSUE	CHANGES
0	ER 34925 TK 05/10/94



NOTES:

- FOR USE WITH M17/78-RG217 CABLE.
- FOR CABLING INSTRUCTIONS SEE 3-539.
- INTERFACE PER MIL-STD-348, FIG. 304-1.
- MATERIAL:
 - INSULATORS: TEFLON, ASTM-D-1457
 - GASKETS: SIL. RUB., ZZ-R-765
 - C-RING: PHOS. BRONZE, QQ-B-750
 - ALL OTHER PARTS: BRASS, ASTM-B16
- FINISHES:
 - CENTER CONTACT: HARD GOLD PLATE PER MIL-G-45204
 - ALL OTHER METAL PARTS: SILVER PLATE PER QQ-S-365
- ELECTRICAL CHARACTERISTICS:
 - NOMINAL IMPEDANCE: 50 OHMS
 - VOLTAGE RATING: 1000 VRMS
 - FREQUENCY RANGE: DC TO 11 GHz

STAMP: 91836 M39012/01-0015
 KINGS 1205-37-5 XX XX
 DATE CODE

1205-37-5 JCA0916

SCALE 4:1

APPROX SURFACE AREA

WAS: E-17726

USED ON

REF:

PLUG, N

DRAWN TK 08/27/93

DESIGN VLS 08/27/93

APPR. VLS 08/27/93

KINGS
 ELECTRONICS CO., INC.
 TUCKAHOE, NEW YORK 10707

M39012/01-0015

GSD