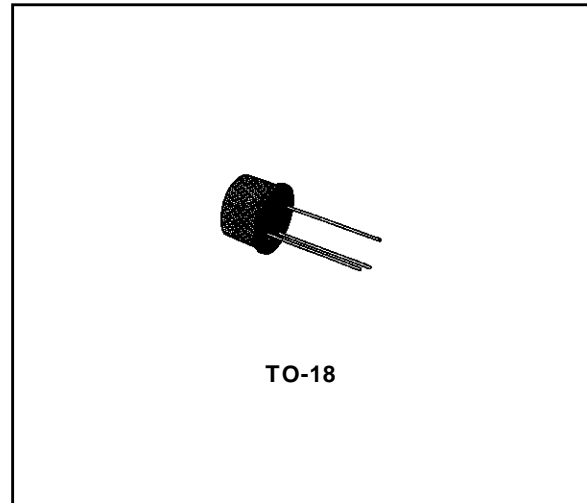


**LOW NOISE AUDIO AMPLIFIERS**

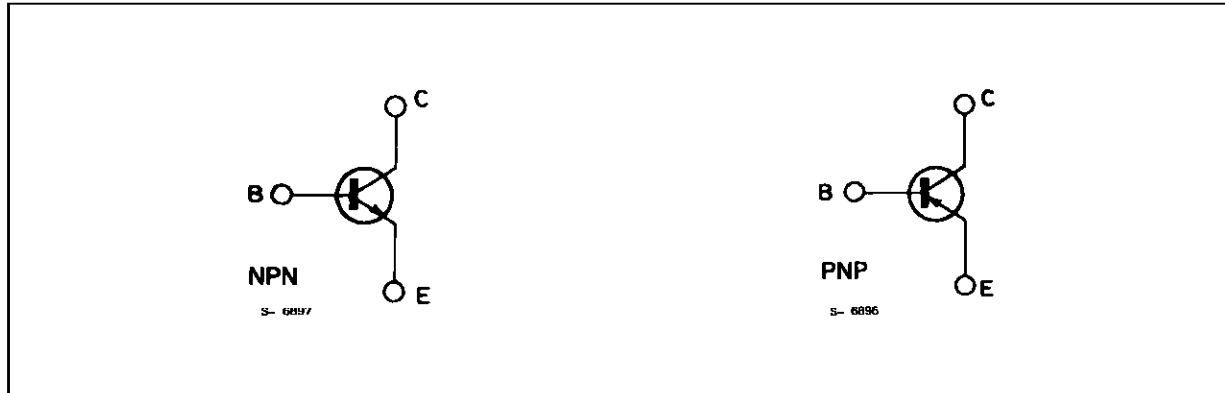
**DESCRIPTION**

The BCY58 and BCY59 are silicon planar epitaxial NPN transistors in Jedec TO-18 metal case.

They are intended for use in audio input stages, driver stages and low-noise input stages. The complementary PNP types are respectively the BCY78 and BCY79.



**INTERNAL SCHEMATIC DIAGRAM**



**ABSOLUTE MAXIMUM RATINGS**

Symbol	Parameter	Value		Unit
		BCY58	BCY59	
$V_{CES}$	Collector-emitter Voltage ( $V_{BE} = 0$ )	32	45	V
$V_{CEO}$	Collector-emitter Voltage ( $I_B = 0$ )	32	45	V
$V_{EBO}$	Emitter-base Voltage ( $I_C = 0$ )	7		V
$I_C$	Collector Current	200		mA
$I_B$	Base Current	50		mA
$P_{tot}$	Total Power Dissipation at $T_{amb} \leq 25\text{ }^\circ\text{C}$ at $T_{case} \leq 45\text{ }^\circ\text{C}$	0.39 1		mW W
$T_{stg}, T_j$	Storage and Junction Temperature	- 65 to 200		$^\circ\text{C}$

## BCY58-BCY59

### THERMAL DATA

$R_{th\ j-case}$	Thermal Resistance Junction-case	Max	150	$^{\circ}C/W$
$R_{th\ j-amb}$	Thermal Resistance Junction-ambient	Max	450	$^{\circ}C/W$

### ELECTRICAL CHARACTERISTICS ( $T_{amb} = 25^{\circ}C$ unless otherwise specified)

Symbol	Parameter	Test Conditions	Min.	Typ.	Max.	Unit	
$I_{CES}$	Collector Cutoff Current ( $V_{BE} = 0$ )	For <b>BCY58</b> $V_{CE} = 32\ V$ $V_{CE} = 32\ V$ For <b>BCY59</b> $V_{CE} = 45\ V$ $V_{CE} = 45\ V$ $T_{amb} = 150^{\circ}C$ $T_{amb} = 150^{\circ}C$		0.1 0.1 0.1 0.1	10 10 10 10	nA $\mu A$ nA $\mu A$	
$I_{CEX}$	Collector Cutoff Current ( $V_{BE} = -0.2\ V$ )	For <b>BCY58</b> $V_{CE} = 32\ V$ For <b>BCY59</b> $V_{CE} = 45\ V$ $T_{amb} = 100^{\circ}C$ $T_{amb} = 100^{\circ}C$			20 20	$\mu A$ $\mu A$	
$I_{EBO}$	Emitter cutoff Current ( $I_C = 0$ )	$V_{EB} = 5\ V$			10	nA	
$V_{(BR)CEO}^*$	Collector-emitter Breakdown Voltage ( $I_B = 0$ )	$I_C = 2\ mA$	For <b>BCY58</b> For <b>BCY59</b>	32 45		V V	
$(BR)EBO^*$	Emitter-base Breakdown Voltage ( $I_C = 0$ )	$I_E = 10\ \mu A$		7		V	
$V_{CE(sat)}^*$	Collector-Emitter Saturation Voltage	$I_C = 10\ mA$ $I_C = 100\ mA$	$I_B = 0.25\ mA$ $I_B = 2.5\ mA$		0.12 0.4	0.35 0.7 V V	
$V_{BE}$	Base-emitter Voltage	$I_C = 2\ mA$ $I_C = 100\ mA$	$V_{CE} = 5\ V$ $V_{CE} = 1\ V$	0.55	0.65 0.75	0.7 V V	
$V_{BE(sat)}^*$	Base-emitter Saturation Voltage	$I_C = 10\ mA$ $I_C = 100\ mA$	$I_B = 0.25\ mA$ $I_B = 2.5\ mA$	0.6 0.75	0.7 0.9	0.85 1.2 V V	
$h_{FE}^*$	DC Current Gain	$I_C = 10\ \mu A$ $I_C = 2\ mA$ $I_C = 10\ mA$ $I_C = 100\ mA$	$V_{CE} = 5\ V$ Gr.VII Gr.VIII Gr.IX Gr.X $V_{CE} = 5\ V$ Gr.VII Gr.VIII Gr.IX Gr.X $V_{CE} = 1\ V$ Gr.VII Gr.VIII Gr.IX Gr.X $V_{CE} = 1\ V$ Gr.VII Gr.VIII Gr.IX Gr.X		195 100 20 40 100 120 120 180 250 380 80 80 120 160 240 40 40 45 60 60		630 220 310 460 630 365 175 260 365 520

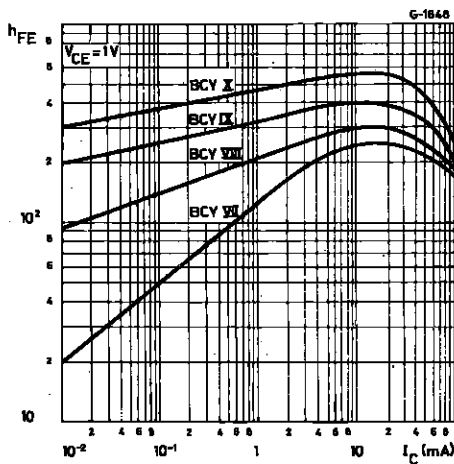
\* Pulsed : pulse duration = 300  $\mu s$ , duty cycle = 1 %.

**ELECTRICAL CHARACTERISTICS** (continued)

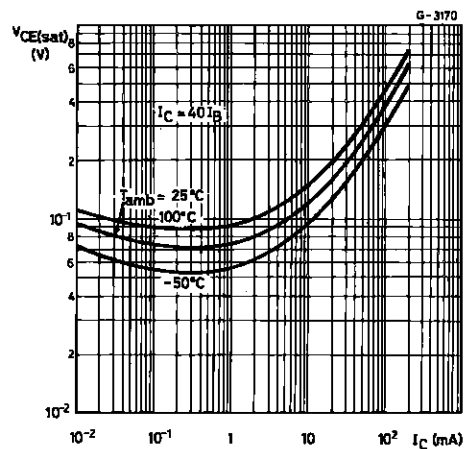
Symbol	Parameter	Test Conditions	Min.	Typ.	Max.	Unit
$h_{fe}$	Small Signal Current Gain	$I_C = 2 \text{ mA}$ $f = 1 \text{ kHz}$ $V_{CE} = 5 \text{ V}$ Gr.VII Gr.VIII Gr.IX Gr.X	125 125 175 250 350		250 350 500 700	
$f_T$	Transition Frequency	$I_C = 10 \text{ mA}$ $f = 100 \text{ MHz}$ $V_{CE} = 5 \text{ V}$		200		MHz
$C_{EBO}$	Emitter-base Capacitance	$I_C = 0$ $f = 1 \text{ MHz}$ $V_{EB} = 0.5 \text{ V}$		11	15	pF
$C_{CBO}$	Collector-base Capacitance	$I_E = 0$ $f = 1 \text{ MHz}$ $V_{CB} = 10 \text{ V}$		3.5	6	pF
NF	Noise Figure	$I_C = 0.2 \text{ mA}$ $R_g = 2 \text{ k}\Omega$ $V_{CE} = 5 \text{ V}$ $f = 1 \text{ kHz}$		2	6	dB
$t_{on}$	Turn-on Time	$I_C = 10 \text{ mA}$ $I_{B1} = 1 \text{ mA}$ $I_C = 100 \text{ mA}$ $I_{B1} = 10 \text{ mA}$ $V_{CC} = 10 \text{ V}$		85 55	150 150	ns
$t_{off}$	Turn-off Time	$I_C = 10 \text{ mA}$ $I_{B1} = -I_{B2} = 1 \text{ mA}$ $I_C = 100 \text{ mA}$ $I_{B1} = -I_{B2} = 10 \text{ mA}$ $V_{CC} = 10 \text{ V}$		480 480	800 800	ns

\* Pulsed : pulse duration = 300  $\mu$ s, duty cycle = 1 %.

DC Current Gain.

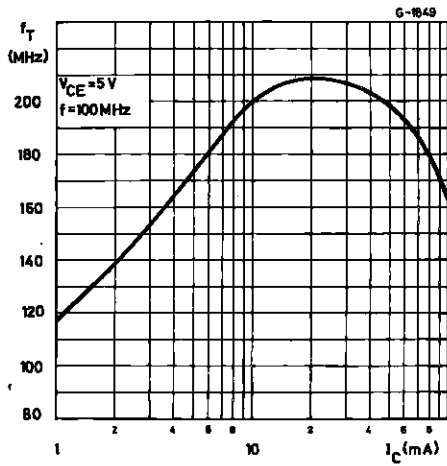


Collector-emitter Saturation Voltage.

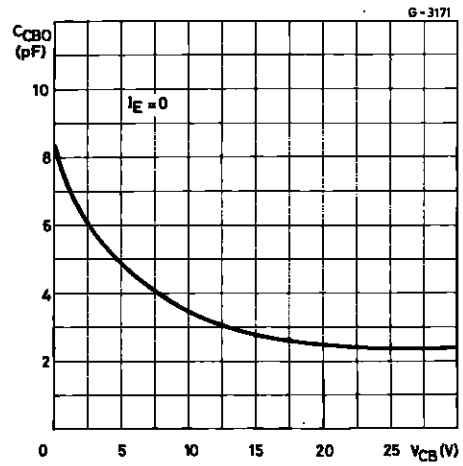


# BCY58-BCY59

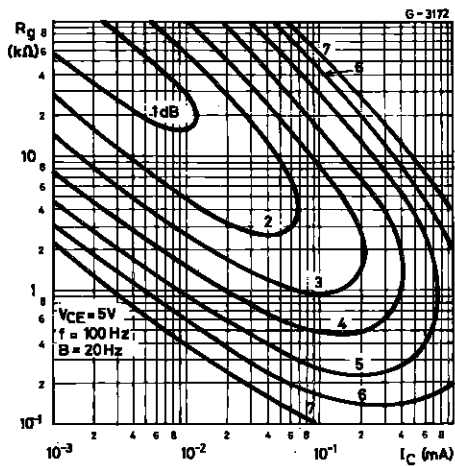
Transition Frequency.



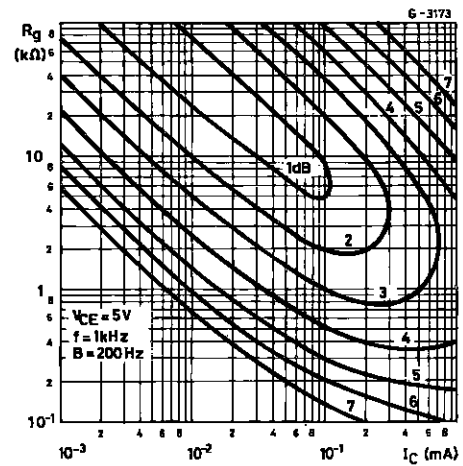
Collector-base Capacitance.



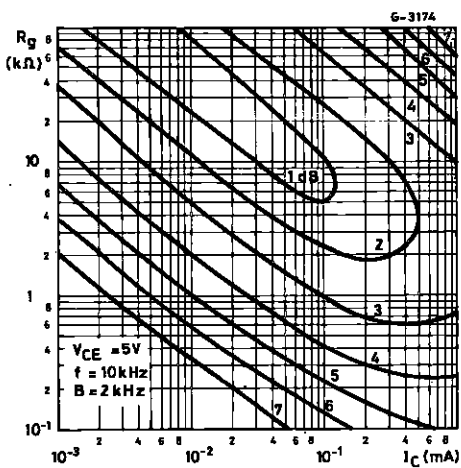
Noise Figure (f = 100 Hz).



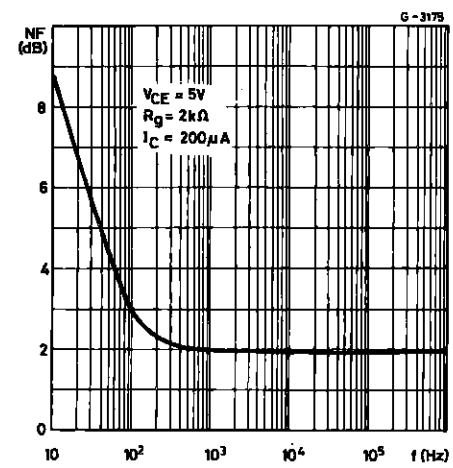
Noise Figure (f = 1 kHz).



Noise Figure (f = 10 kHz).

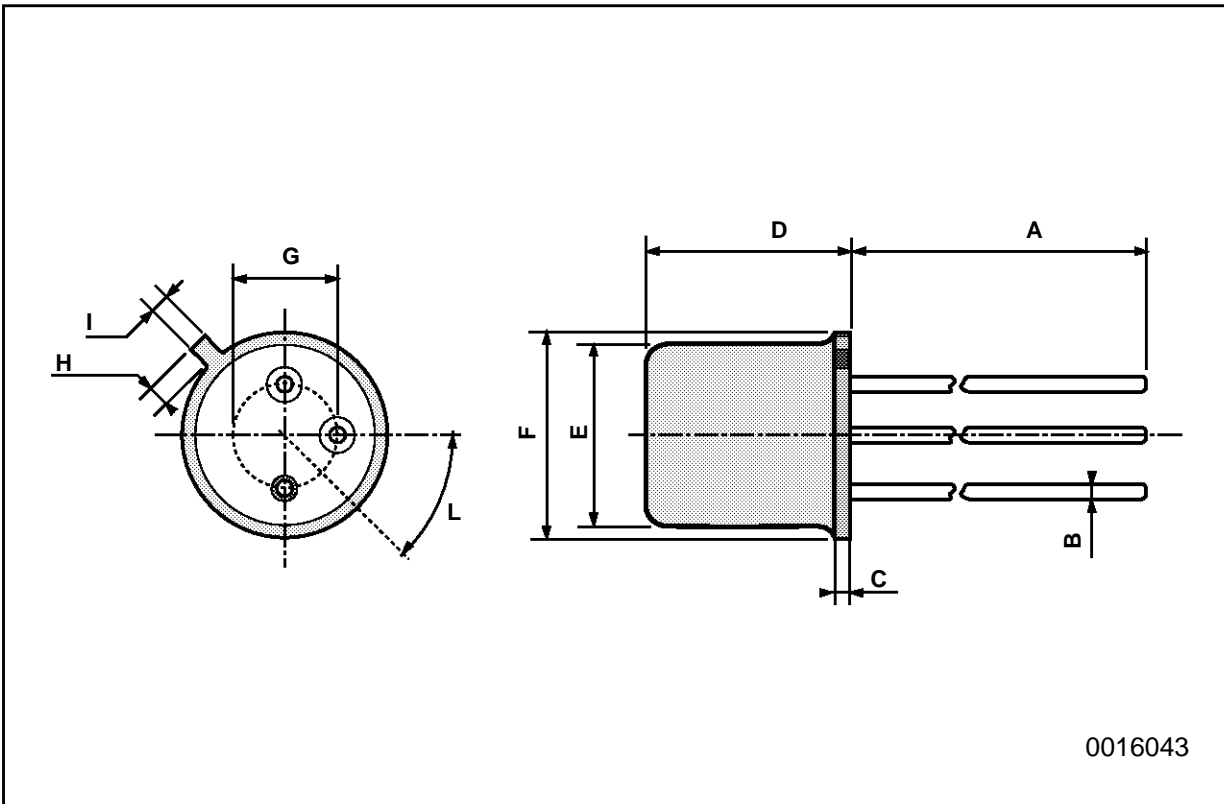


Noise Figure vs. Frequency.



**TO-18 MECHANICAL DATA**

DIM.	mm			inch		
	MIN.	TYP.	MAX.	MIN.	TYP.	MAX.
A		12.7			0.500	
B			0.49			0.019
D			5.3			0.208
E			4.9			0.193
F			5.8			0.228
G	2.54			0.100		
H			1.2			0.047
I			1.16			0.045
L	45°			45°		



0016043

Information furnished is believed to be accurate and reliable. However, SGS-THOMSON Microelectronics assumes no responsibility for the consequences of use of such information nor for any infringement of patents or other rights of third parties which may result from its use. No license is granted by implication or otherwise under any patent or patent rights of SGS-THOMSON Microelectronics. Specifications mentioned in this publication are subject to change without notice. This publication supersedes and replaces all information previously supplied. SGS-THOMSON Microelectronics products are not authorized for use as critical components in life support devices or systems without express written approval of SGS-THOMSON Microelectronics.

© 1994 SGS-THOMSON Microelectronics - All Rights Reserved

SGS-THOMSON Microelectronics GROUP OF COMPANIES

Australia - Brazil - France - Germany - Hong Kong - Italy - Japan - Korea - Malaysia - Malta - Morocco - The Netherlands -  
Singapore - Spain - Sweden - Switzerland - Taiwan - Thailand - United Kingdom - U.S.A