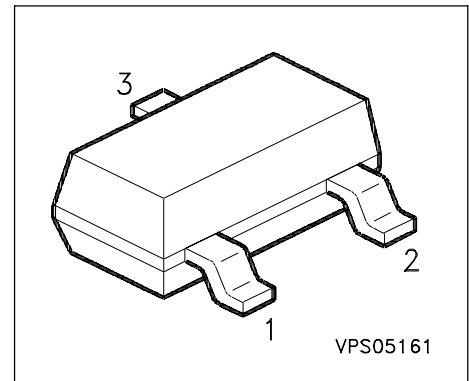


## NPN Silicon RF Transistor

- For broadband amplifiers up to 1GHz at collector currents from 1mA to 20mA
- CECC-type available: CECC 50002/248.



Type	Marking	Ordering Code	Pin Configuration			Package
BFS 17P	MCs	Q62702-F940	1 = B	2 = E	3 = C	SOT-23

### Maximum Ratings of any single Transistor

Parameter	Symbol	Values	Unit
Collector-emitter voltage	$V_{CEO}$	15	V
Collector-base voltage	$V_{CBO}$	25	
Emitter-base voltage	$V_{EBO}$	2.5	
Collector current	$I_C$	25	mA
Peak collector current $f \geq 10$ MHz	$I_{CM}$	50	
Total power dissipation $T_S \leq 55$ °C	$P_{tot}$	280	mW
Junction temperature	$T_j$	150	
Ambient temperature	$T_A$	- 65 + 150	
Storage temperature	$T_{stg}$	- 65 ... + 150	

### Thermal Resistance

Junction - soldering point <sup>1)</sup>	$R_{thJS}$	$\leq 340$	K/W
--	------------	------------	-----

1) Package mounted on alumina 15 mm x 16,7 mm x 0,7 mm

**Electrical Characteristics** at  $T_A = 25^\circ\text{C}$ , unless otherwise specified.

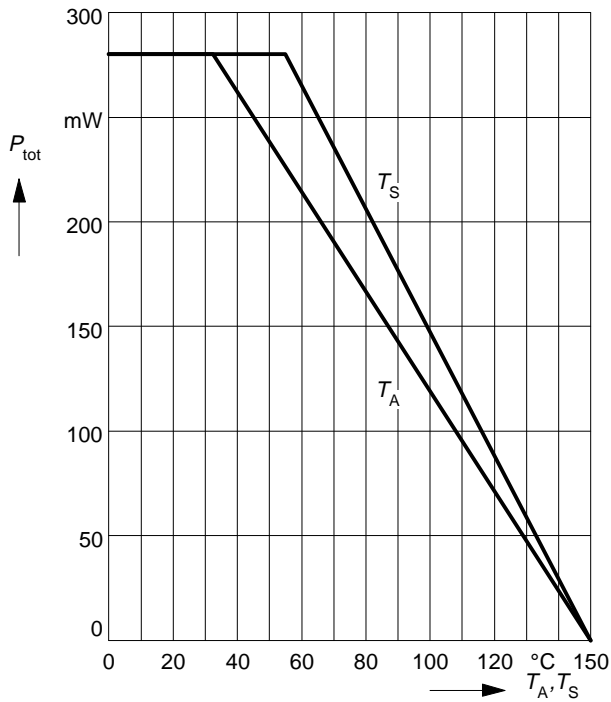
Parameter	Symbol	Values			Unit
		min.	typ.	max.	
<b>DC Characteristics of any single Transistor</b>					
Collector-emitter breakdown voltage $I_C = 1 \text{ mA}, I_B = 0$	$V_{(BR)CEO}$	15	-	-	V
Collector-base cutoff current $V_{CB} = 10 \text{ V}, I_E = 0$ $V_{CB} = 25 \text{ V}, I_E = 0$	$I_{CBO}$	-	-	0.05 10	$\mu\text{A}$
Emitter-base cutoff current $V_{EB} = 2.5 \text{ V}, I_C = 0$	$I_{EBO}$	-	-	100	
DC current gain $I_C = 2 \text{ mA}, V_{CE} = 1 \text{ V}$ $I_C = 25 \text{ mA}, V_{CE} = 1 \text{ V}$	$h_{FE}$	20 20	- 70	150 -	-
Collector-emitter saturation voltage $I_C = 10 \text{ mA}, I_B = 1 \text{ mA}$	$V_{CEsat}$	-	0.1	0.4	V

**Electrical Characteristics** at  $T_A = 25^\circ\text{C}$ , unless otherwise specified.

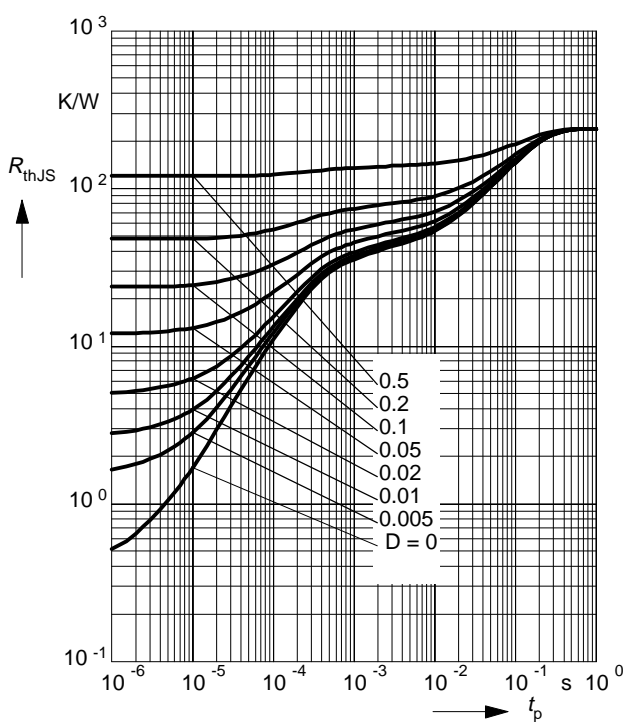
Parameter	Symbol	Values			Unit
		min.	typ.	max.	
<b>AC Characteristics of any single Transistor</b>					
Transition frequency $I_C = 2 \text{ mA}$ , $V_{CE} = 5 \text{ V}$ , $f = 200 \text{ MHz}$ $I_C = 25 \text{ mA}$ , $V_{CE} = 5 \text{ V}$ , $f = 200 \text{ MHz}$	$f_T$	1 1.3	1.4 2.5	- -	GHz
Collector-base capacitance $V_{CB} = 5 \text{ V}$ , $V_{BE} = v_{be} = 0$ , $f = 1 \text{ MHz}$	$C_{cb}$	-	0.55	0.8	pF
Collector-emitter capacitance $V_{CE} = 5 \text{ V}$ , $V_{BE} = v_{be} = 0$ , $f = 1 \text{ MHz}$	$C_{ce}$	-	0.25	-	
Input capacitance $V_{EB} = 0.5 \text{ V}$ , $I_C = 0$ , $f = 1 \text{ MHz}$	$C_{ibo}$	-	1.45	-	
Output capacitance $V_{CE} = 5 \text{ V}$ , $V_{BE} = v_{be} = 0$ , $f = 1 \text{ MHz}$	$C_{obs}$	-	-	1.5	
Noise figure $I_C = 2 \text{ mA}$ , $V_{CE} = 5 \text{ V}$ , $f = 800 \text{ MHz}$ $Z_S = 0 \Omega$	$F$	-	3.5	5	dB
Transducer gain $I_C = 20 \text{ mA}$ , $V_{CE} = 5 \text{ V}$ , $f = 500 \text{ MHz}$ $Z_S = Z_L = 50 \Omega$	$ S_{21e} ^2$	-	12.7	-	
Linear output voltage $I_C = 14 \text{ mA}$ , $V_{CE} = 5 \text{ V}$ , $d_{im} = 60 \text{ dB}$ $f_1 = 806 \text{ MHz}$ , $f_2 = 810 \text{ MHz}$ , $Z_S = Z_L = 50 \Omega$	$V_{01} = V_{02}$	-	100	-	mV
Third order intercept point $I_C = 14 \text{ mA}$ , $V_{CE} = 5 \text{ V}$ , $f = 800 \text{ MHz}$ $Z_S = Z_{Sopt}$ , $Z_L = Z_{Lopt}$	$IP_3$	-	23	-	dBm

### Total power dissipation $P_{tot} = f(T_A^*, T_S)$

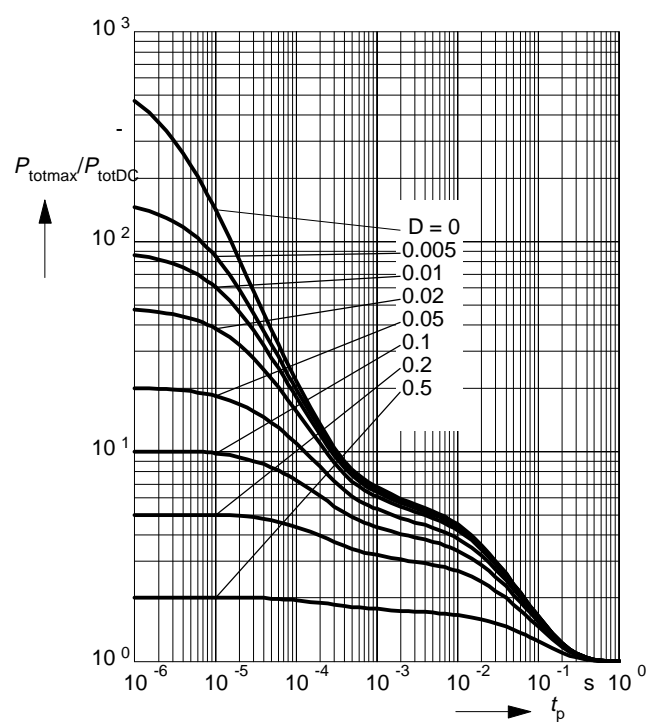
\* Package mounted on epoxy



### Permissible Pulse Load $R_{thJS} = f(t_p)$

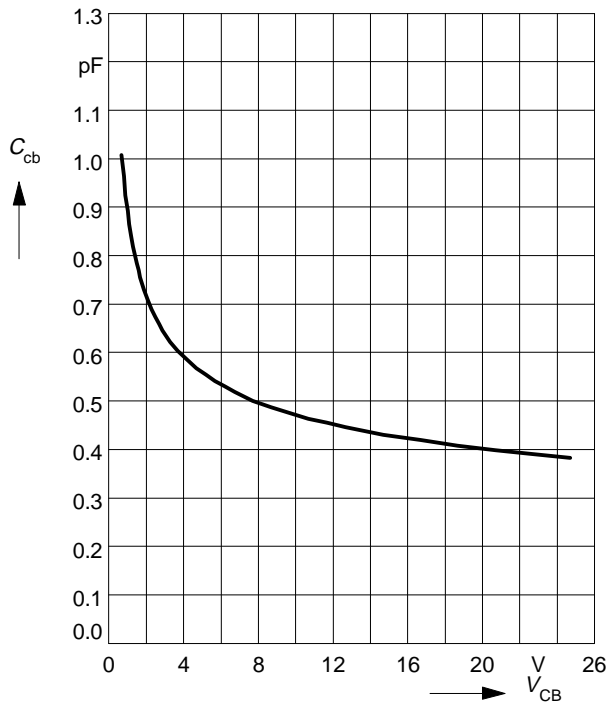


### Permissible Pulse Load $P_{totmax}/P_{totDC} = f(t_p)$



### Collector-base capacitance $C_{cb} = f(V_{CB})$

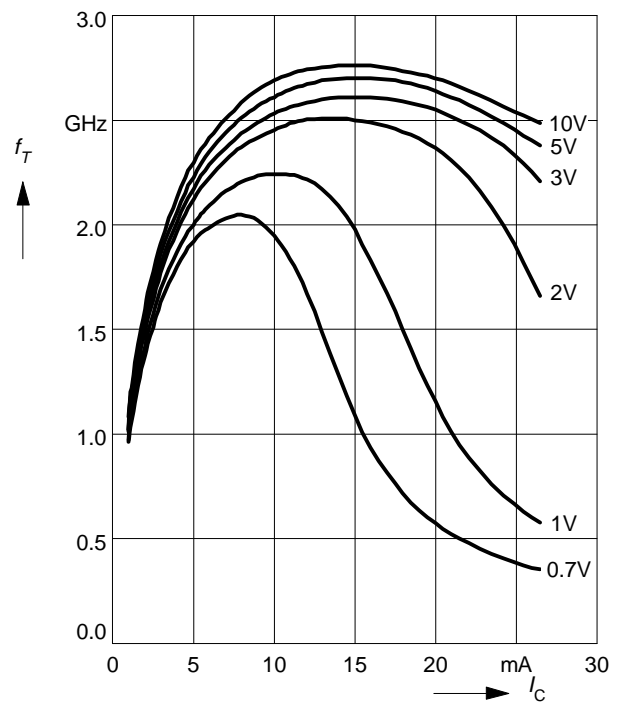
$V_{BE} = v_{be} = 0, f = 1\text{MHz}$



### Transition frequency $f_T = f(I_C)$

$f = 500\text{MHz}$

$V_{CE} = \text{Parameter}$



### Package

