

Power supply unit for LCDs

BP5302 / BP5302F

The BP5302 and BP5302F are DC / DC converter units for supplying power to liquid crystal display (LCD) panels. The ICs supply a negative voltage from a positive power supply. They are available in a single in-line package as an upright (BP5302) or L-shaped lead (BP5302F) type.

●Applications

LCD panels in personal computers, word processors, copiers and facsimiles

●Features

- 1) Wide input voltage range. (+5 to +14V)
- 2) Accurate output voltage. ($-24 \pm 0.75V$)
- 3) High conversion efficiency. (typically 80%)
- 4) Built-in protection circuit.
- 5) Built-in ON / OFF switch.
- 6) Compact and light.
- 7) Available as an upright or L-shaped lead type.

●Absolute maximum ratings

Parameter	Symbol	Limits	Unit
Input voltage	V_{IN}	15	V
Operating temperature	T_{opr}	0~+60	°C
Storage temperature	T_{stg}	-30~+85	°C

- Electrical characteristics (unless otherwise noted, Ta = 25°C and R1 and R2 resistors in the measurement circuit of Fig. 1 are disconnected)

Parameter	Symbol	Min.	Typ.	Max.	Unit	Conditions
Input voltage	V _{IN}	5	—	14	V	
Output current	I _{OUT}	—	—	30	mA	
Output voltage	V _{OUT}	-23.25	-24.00	-24.75	V	V _{IN} =12V, I _{OUT} =20mA
Line regulation	ΔV1	—	—	0.75	V	V _{IN} =5~14V, I _{OUT} =20mA
Load regulation	ΔV2	—	—	0.5	V	V _{IN} =12V, I _{OUT} =0~20mA
Ripple noise voltage	v ₁	—	—	200	mV _{P-P}	V _{IN} =12V, I _{OUT} =20mA *
Efficiency	η	70	80	—	%	V _{IN} =12V, I _{OUT} =20mA
ON/OFF CTL voltage when ON	V _{CTL}	1.5	—	6.0	V	V _{IN} =5~14V
ON/OFF CTL voltage when OFF	V _{CTL}	—	—	0.5	V	V _{IN} =5~14V
		(Alternatively, when OPEN)				
ON/OFF CTL CTL current	I _{CTL}	—	—	150	μA	V _{IN} =5~14V, V _{CTL} =5V
Current consumption when OFF	I _{OFF}	—	—	10	μA	V _{IN} =5~14V, V _{CTL} =0V
R1 resistance	R1	50	—	∞	kΩ	V _{IN} =5~14V, V _{CTL} =5V
R2 resistance	R2	20	—	∞	kΩ	V _{IN} =5~14V, V _{CTL} =5V

* Measured with a band width of 20 MHz.

●Pin descriptions

Pin No.	Pin name	Functions
1	Co	Output smoothing capacitor connection; connect a low-impedance capacitor with a recommended capacitance of 47 μF between this pin and GND
2	V _{OUT}	Output
3	V _{ref}	Output voltage pin for contrast adjustment; output voltage is adjusted by connecting a resistor between pins 2 and 3 or pins 3 and 4
4, 7	GND	Ground
8	V _{CTL}	Output ON/OFF control; output starts when the pin is HIGH level, and stops when the pin is LOW or OPEN
9	V _{IN}	Input; connect a low-impedance capacitor with a recommended capacitance of 100 μF between this pin and GND

● Measurement circuit and application example

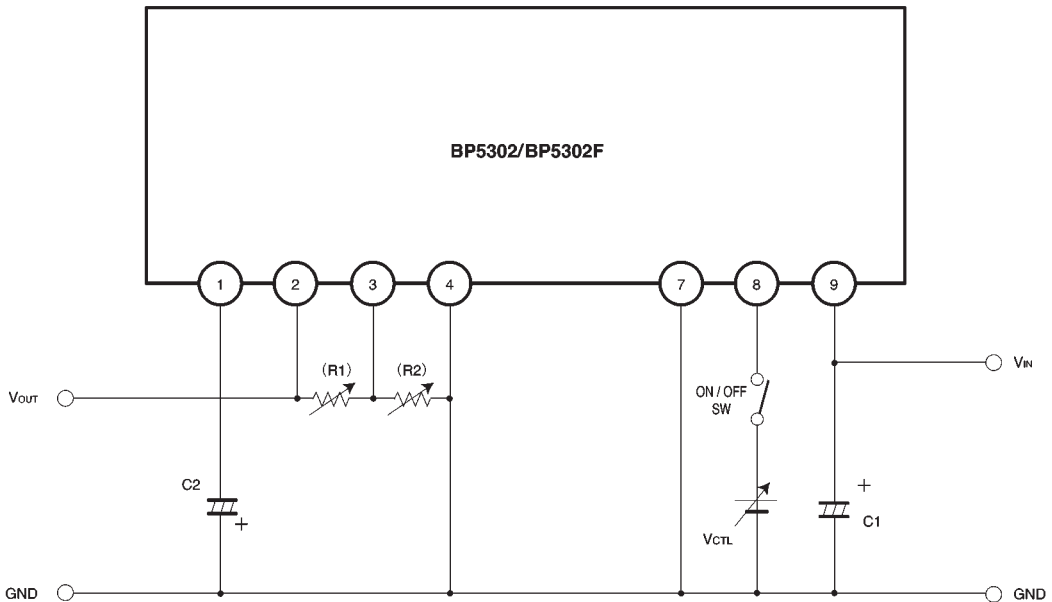


Fig. 1

C1: 100 μ F / 16V (NICHICON PL-series or equivalent)

C2: 47 μ F / 35V (NICHICON PL-series or equivalent)

R1, R2: Resistors for adjusting output voltage (disconnected during test measurement)

● Operation notes

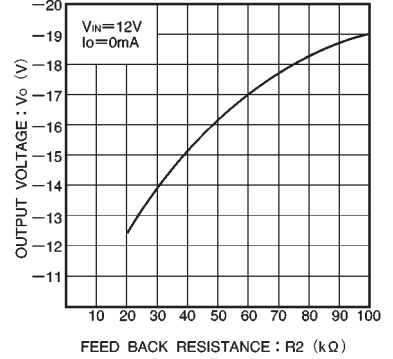
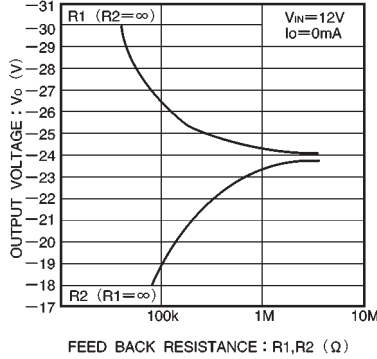
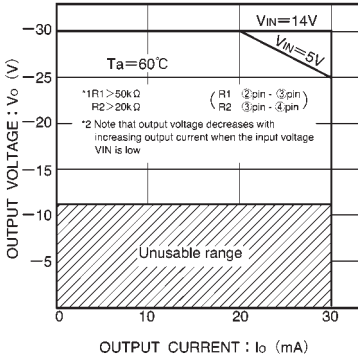
(1) Place I / O external capacitors as near as possible to the connection pins. In particular, make sure to minimize the impedance between the input-side capacitor (C1) and pin 9.

(Reference valve: A length less than 50mm is recommended for a copper foil of 1.0mm wide and 35 μ m thick.)

(2) Avoid frequent switching using the ON / OFF CTL pin (5 times per second at the maximum).

(3) R1 and R2 resistors, which are used for changing the output voltage, are usually not required.

●Electrical characteristic curves



●External dimensions (Units: mm)

