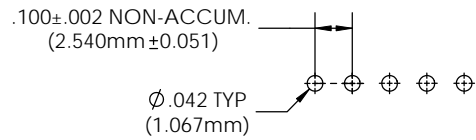
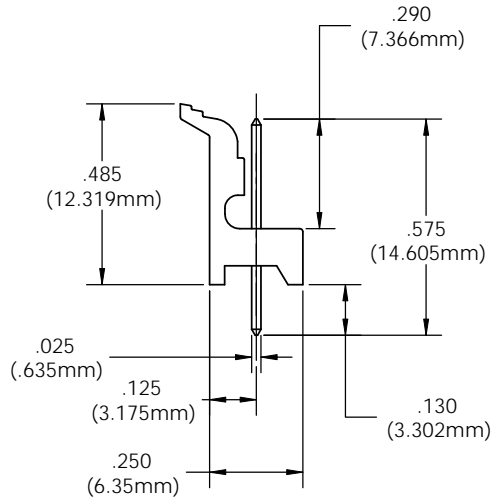
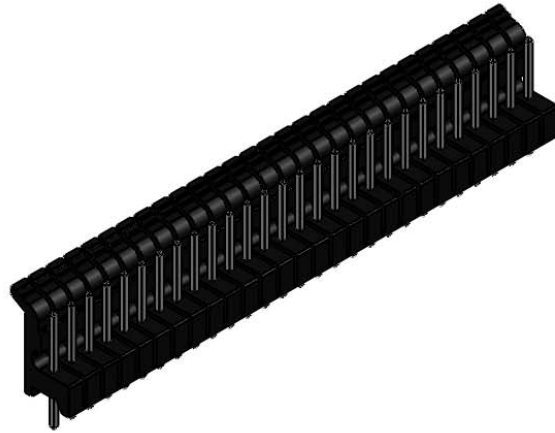


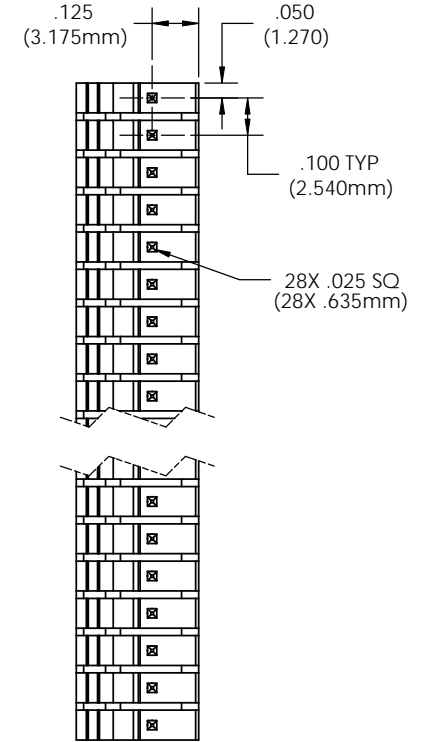
**NOTES:**

1. MATERIAL: BODY - THERMOPLASTIC (BLACK), UL 94-V2 RATING  
PINS - PHOSPHOR BRONZE .025" SQUARE, NICKEL TIN PLATE
2. SPACING: PINS ON .100" CENTERS
3. MATES WITH VCC, 450 30X SERIES OR EQUAL, FEMALE LOCKING HEADER CONNECTOR

REVISIONS				
ECN #	REV	DESCRIPTION	DATE	INITIALS
	001	REVISED PER ECR 111009AZ01	9/13/10	KH

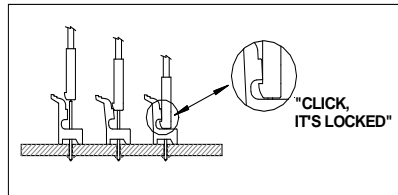


PCB HOLE PATTERN LAYOUT



ORDERING CODE: **CNX VXX NTP**

PIN CONFIGURATION		PLATING	
V =	VERTICAL	NTP	TIN PLATE
XX =	# OF CIRCUITS (02 TO 28)		



<small>UNLESS OTHERWISE SPECIFIED DIMENSIONS ARE IN INCHES</small> <b>TOLERANCES</b> ANGLES    DECIMALS 1°         X ±.003 XX        X ±.010 FINISH    XXX ±.005 <small>BREAK ALL CORNERS AND SHARP EDGES (R) (W)</small>	MATERIAL	SEE NOTES		<b>VISUAL COMMUNICATIONS COMPANY, INC.</b> 190 Bosstick Boulevard, Suite 101 San Marcos, CA 92069 USA Phone (760) 560-1300 Fax (760) 560-1301 Email: vccsales@vcclite.com		
	FINISH	SEE NOTES		TITLE: <b>CONXRITE POLARITY FEMALE VERTICAL LOCKING HEADER</b>		
THIRD ANGLE PROJECTION <small>THE INFORMATION CONTAINED IN THIS DRAWING IS THE SOLE PROPERTY OF VISUAL COMMUNICATIONS COMPANY, INC. AND IS LOANED TO YOU AS A SINGLE REFERENCE TO THIS COMPANY'S PRODUCT. VISUAL COMMUNICATIONS COMPANY, INC. IS NOT RESPONSIBLE FOR ANY REPRODUCTION OF THIS DRAWING WITHOUT THE WRITTEN CONSENT OF VISUAL COMMUNICATIONS COMPANY, INC.</small>	APPROVAL	DATE	SIZE	DWG. NO.	REV	
	DRAWN	K.Howard	9/13/10	<b>B</b>	CNX VXX NTP	001
	CHECKED	DPZ	9/20/10	SCALE: 3:1		SHEET 1 OF 1
DO NOT SCALE DRAWING						