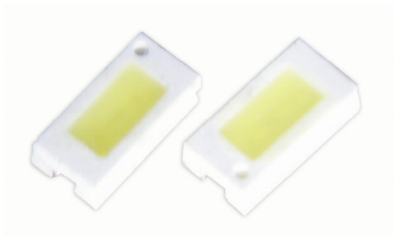




CERAMIC BASIC TYPE HIGH-PERFORMANCE LEDS



Absolute Maximum Ratings

| | UNIT | SPEC. |
|------|------|------------|
| IF | mA | 30 |
| IFP | mA | 120 |
| VR | V | 5 |
| Topr | °C | -20 ~ +80 |
| Tstg | °C | -20 ~ +100 |

GH-3216 Series

For Reflow Soldering

1.50 [0.06"] 2.0 [0.08"] 1.50 [0.06"]
 1.50 [0.06"]

NOTES: 1. All dimensions are in millimeters (inches);
 2. Tolerances are $\pm 0.2\text{mm}$ (.008 inch) unless otherwise noted;
 3. Resin color: water clear.

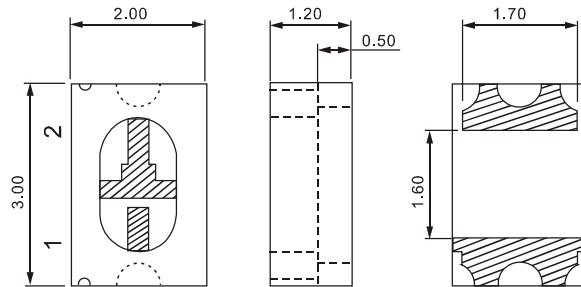
| Part No. | Material | Emitted Color | V _f (V) | | λ (nm) | | I _v (mcd) |
|--------------|----------|---------------|--------------------|------|----------------|----------------|----------------------|
| | | | Typ. | Max. | λ _d | λ _p | Typ. |
| RS3216TC-DPG | AlGaInP | Red | 1.90 | 2.40 | 631 | 640 | 60 |
| OL3216TC-DPG | AlGaInP | Orange | 1.90 | 2.40 | 624 | 635 | 77 |
| AL3216TC-DPG | AlGaInP | Amber | 1.90 | 2.40 | 595 | 600 | 86 |
| YV3216TC-DPE | AlGaInP | Yellow | 2.00 | 2.50 | 593 | 595 | 66 |
| GB3216TC-DPG | AlGaInP | Green | 2.10 | 2.60 | 578 | 575 | 43 |
| GE3216TC-IPG | InGaN | Green | 3.20 | 3.80 | 527 | 525 | 138 |
| BJ3216TC-JPH | GaN | Blue | 3.40 | 4.00 | 465 | 460 | 41 |
| BV3216TC-EPC | GaN/SiC | Blue | 4.00 | 4.50 | 465 | 430 | 9 |



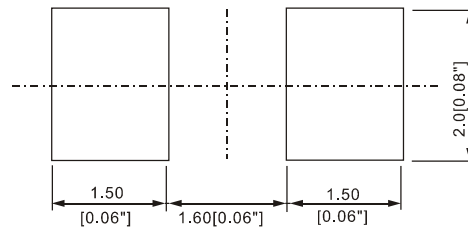
CERAMIC BASIC TYPE HIGH-PERFORMANCE LEDS



GH-3020 Series



For Reflow Soldering



NOTES:1.All dimensions are in millimeters(inches);
2.Tolerances are $\pm 0.2\text{mm}$ (.008inch) unless otherwise noted;
3.Resin color: water clear.

Absolute Maximum Ratings

| | UNIT | SPEC. |
|------|------|------------|
| IF | mA | 30 |
| IFp | mA | 120 |
| VR | V | 5 |
| Topr | °C | -20 ~ +80 |
| Tstg | °C | -20 ~ +100 |

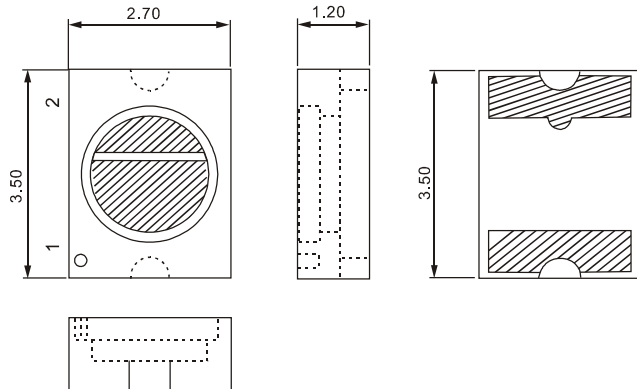
| Part No. | Material | Emitted Color | V _f (V) | | λ (nm) | | I _v (mcd) |
|--------------|----------|---------------|--------------------|------|----------------|----------------|----------------------|
| | | | Typ. | Max. | λ _d | λ _p | Typ. |
| RS3020TC-DPG | AlGaInP | Red | 1.90 | 2.40 | 631 | 640 | 60 |
| OL3020TC-DPG | AlGaInP | Orange | 1.90 | 2.40 | 624 | 635 | 77 |
| AL3020TC-DPG | AlGaInP | Amber | 1.90 | 2.40 | 595 | 600 | 86 |
| YV3020TC-DPE | AlGaInP | Yellow | 2.00 | 2.50 | 593 | 595 | 66 |
| GB3020TC-DPG | AlGaInP | Green | 2.10 | 2.60 | 578 | 575 | 43 |
| GE3020TC-IPG | InGaN | Green | 3.20 | 3.80 | 527 | 525 | 138 |
| BJ3020TC-JPH | GaNN | Blue | 3.40 | 4.00 | 465 | 460 | 41 |
| BV3020TC-EPC | GaN/SiC | Blue | 4.00 | 4.50 | 465 | 430 | 9 |



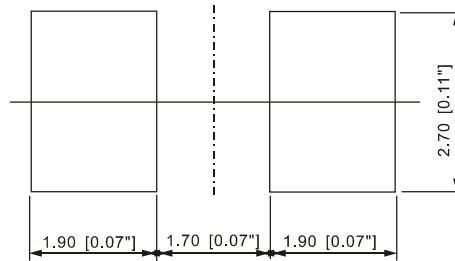
CERAMIC BASIC TYPE HIGH-PERFORMANCE LEDs



GH-3527 Series



For Reflow Soldering



NOTES: 1. All dimensions are in millimeters (inches);
 2. Tolerances are $\pm 0.2\text{mm}$ ($.008\text{inch}$) unless otherwise noted;
 3. Resin color: water clear.

Absolute Maximum Ratings

| | UNIT | SPEC. |
|------|------|------------|
| IF | mA | 30 |
| IFp | mA | 120 |
| VR | V | 5 |
| Topr | °C | -20 ~ +80 |
| Tstg | °C | -20 ~ +100 |

| Part No. | Material | Emitted Color | V _f (V) | | λ (nm) | | I _v (mcd) |
|--------------|----------|---------------|--------------------|------|----------------|----------------|----------------------|
| | | | Typ. | Max. | λ _d | λ _p | Typ. |
| RS3527TC-DPG | AlGaInP | Red | 1.90 | 2.40 | 631 | 640 | 60 |
| OL3527TC-DPG | AlGaInP | Orange | 1.90 | 2.40 | 624 | 635 | 77 |
| AL3527TC-DPG | AlGaInP | Amber | 1.90 | 2.40 | 595 | 600 | 86 |
| YV3527TC-DPE | AlGaInP | Yellow | 2.00 | 2.50 | 593 | 595 | 66 |
| GB3527TC-DPG | AlGaInP | Green | 2.10 | 2.60 | 578 | 575 | 43 |
| GE3527TC-IPG | InGaN | Green | 3.20 | 3.80 | 527 | 525 | 138 |
| BJ3527TC-JPH | GaInN | Blue | 3.40 | 4.00 | 465 | 460 | 41 |
| BV3527TC-EPC | GaN/SiC | Blue | 4.00 | 4.50 | 465 | 430 | 9 |