

# GTE/GTP-A

5.2Ø x 20 mm

Time-Lag Fuse



## Agency Approvals

Agency	Ampere Rating
UL Listed	500mA - 10A
CSA Certified	500mA - 3.5A
CSA Acceptance	3.6A - 10A
PSE	GTE: 1A - 5A (125V) 1A - 10A (250V) GTP-A: 1A - 10A (125V / 250V)
KTL	500mA - 10A

## Interrupting Rating

500mA - 10A:	10,000 amperes at 125V AC
500mA - 1A:	35 amperes at 250V AC
1.1A - 3.5A:	100 amperes at 250V AC
3.6A - 10A:	200 amperes at 250V AC

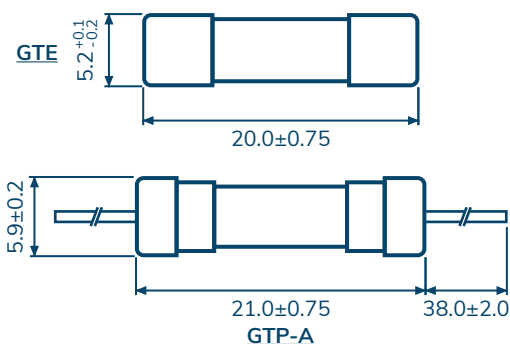
## Product Characteristics

Operating Temperature	-55 °C to 125 °C
Material	Body: Glass Caps: Nickel Plated Brass
Leads Wire	Ø0.8 mm 14A and less. Ø1.0 mm for rating above 15A to 19A. Ø1.2 mm for rating above 20A.

## Packaging

Packaging Option	Quantity
Bulk	GTE: 1,000 pcs / box GTP-A: 500 pcs / box
On Axial Tape & Reel	1,000 pcs / box

## Mechanical Dimensions (mm)



## Electrical Characteristics

Ampere Rating	Opening Time			
	1 In	1.35 In	2 In	
	MIN	MAX	MIN	MAX
500mA - 10A	4 hr	1 hr	2 sec	120 sec

Catalog Number	Ampere Rating (A)	Voltage Rating (V)	Nominal Cold Resistance (Ohms)	Nominal Melting I <sup>2</sup> t (A <sup>2</sup> sec.)
GTE / GTP-A .500	500mA	250V	0.5106	0.2160
GTE / GTP-A .600	600mA		0.4219	0.3240
GTE / GTP-A .630	630mA		0.4016	0.4001
GTE / GTP-A .700	700mA		0.2876	0.5423
GTE / GTP-A .750	750mA		0.2560	0.6075
GTE / GTP-A .800	800mA		0.2377	0.7603
GTE / GTP-A 001	1A		0.1647	1.5480
GTE / GTP-A 1.25	1.25A		0.1198	2.9250
GTE / GTP-A 1.50	1.5A		0.0968	6.6600
GTE / GTP-A 1.60	1.6A		0.0885	7.3485
GTE / GTP-A 002	2A		0.0618	11.772
GTE / GTP-A 2.25	2.25A		0.0502	15.899
GTE / GTP-A 2.50	2.5A		0.0461	20.025
GTE / GTP-A 003	3A		0.0364	34.292
GTE / GTP-A 3.15	3.15A		0.0343	37.566
GTE / GTP-A 3.20	3.2A		0.0321	38.187
GTE / GTP-A 3.50	3.5A		0.0319	38.808
GTE / GTP-A 004	4A		0.0250	63.360
GTE / GTP-A 4.50	4.5A		0.0224	79.585
GTE / GTP-A 005	5A		0.0210	95.810
GTE / GTP-A 006	6A	0.0149	104.36	
GTE / GTP-A 6.30	6.3A	0.0104	108.63	
GTE / GTP-A 007	7A	0.0088	112.90	
GTE / GTP-A 7.50	7.5A	0.0080	127.43	
GTE / GTP-A 008	8A	0.0079	144.48	
GTE / GTP-A 010	10A	0.0061	254.30	