

16

R8C/1A Group, R8C/1B Group

Hardware Manual

RENESAS 16-BIT SINGLE-CHIP MICROCOMPUTER
R8C FAMILY / R8C/1x SERIES

All information contained in these materials, including products and product specifications, represents information on the product at the time of publication and is subject to change by Renesas Technology Corp. without notice. Please review the latest information published by Renesas Technology Corp. through various means, including the Renesas Technology Corp. website (<http://www.renesas.com>).

Rev.1.30
Revision Date: Dec 08, 2006

Renesas Technology
www.renesas.com

Notes regarding these materials

1. This document is provided for reference purposes only so that Renesas customers may select the appropriate Renesas products for their use. Renesas neither makes warranties or representations with respect to the accuracy or completeness of the information contained in this document nor grants any license to any intellectual property rights or any other rights of Renesas or any third party with respect to the information in this document.
2. Renesas shall have no liability for damages or infringement of any intellectual property or other rights arising out of the use of any information in this document, including, but not limited to, product data, diagrams, charts, programs, algorithms, and application circuit examples.
3. You should not use the products or the technology described in this document for the purpose of military applications such as the development of weapons of mass destruction or for the purpose of any other military use. When exporting the products or technology described herein, you should follow the applicable export control laws and regulations, and procedures required by such laws and regulations.
4. All information included in this document such as product data, diagrams, charts, programs, algorithms, and application circuit examples, is current as of the date this document is issued. Such information, however, is subject to change without any prior notice. Before purchasing or using any Renesas products listed in this document, please confirm the latest product information with a Renesas sales office. Also, please pay regular and careful attention to additional and different information to be disclosed by Renesas such as that disclosed through our website. (<http://www.renesas.com>)
5. Renesas has used reasonable care in compiling the information included in this document, but Renesas assumes no liability whatsoever for any damages incurred as a result of errors or omissions in the information included in this document.
6. When using or otherwise relying on the information in this document, you should evaluate the information in light of the total system before deciding about the applicability of such information to the intended application. Renesas makes no representations, warranties or guaranties regarding the suitability of its products for any particular application and specifically disclaims any liability arising out of the application and use of the information in this document or Renesas products.
7. With the exception of products specified by Renesas as suitable for automobile applications, Renesas products are not designed, manufactured or tested for applications or otherwise in systems the failure or malfunction of which may cause a direct threat to human life or create a risk of human injury or which require especially high quality and reliability such as safety systems, or equipment or systems for transportation and traffic, healthcare, combustion control, aerospace and aeronautics, nuclear power, or undersea communication transmission. If you are considering the use of our products for such purposes, please contact a Renesas sales office beforehand. Renesas shall have no liability for damages arising out of the uses set forth above.
8. Notwithstanding the preceding paragraph, you should not use Renesas products for the purposes listed below:
 - (1) artificial life support devices or systems
 - (2) surgical implantations
 - (3) healthcare intervention (e.g., excision, administration of medication, etc.)
 - (4) any other purposes that pose a direct threat to human lifeRenesas shall have no liability for damages arising out of the uses set forth in the above and purchasers who elect to use Renesas products in any of the foregoing applications shall indemnify and hold harmless Renesas Technology Corp., its affiliated companies and their officers, directors, and employees against any and all damages arising out of such applications.
9. You should use the products described herein within the range specified by Renesas, especially with respect to the maximum rating, operating supply voltage range, movement power voltage range, heat radiation characteristics, installation and other product characteristics. Renesas shall have no liability for malfunctions or damages arising out of the use of Renesas products beyond such specified ranges.
10. Although Renesas endeavors to improve the quality and reliability of its products, IC products have specific characteristics such as the occurrence of failure at a certain rate and malfunctions under certain use conditions. Please be sure to implement safety measures to guard against the possibility of physical injury, and injury or damage caused by fire in the event of the failure of a Renesas product, such as safety design for hardware and software including but not limited to redundancy, fire control and malfunction prevention, appropriate treatment for aging degradation or any other applicable measures. Among others, since the evaluation of microcomputer software alone is very difficult, please evaluate the safety of the final products or system manufactured by you.
11. In case Renesas products listed in this document are detached from the products to which the Renesas products are attached or affixed, the risk of accident such as swallowing by infants and small children is very high. You should implement safety measures so that Renesas products may not be easily detached from your products. Renesas shall have no liability for damages arising out of such detachment.
12. This document may not be reproduced or duplicated, in any form, in whole or in part, without prior written approval from Renesas.
13. Please contact a Renesas sales office if you have any questions regarding the information contained in this document, Renesas semiconductor products, or if you have any other inquiries.

General Precautions in the Handling of MPU/MCU Products

The following usage notes are applicable to all MPU/MCU products from Renesas. For detailed usage notes on the products covered by this manual, refer to the relevant sections of the manual. If the descriptions under General Precautions in the Handling of MPU/MCU Products and in the body of the manual differ from each other, the description in the body of the manual takes precedence.

1. Handling of Unused Pins

Handle unused pins in accord with the directions given under Handling of Unused Pins in the manual.

- The input pins of CMOS products are generally in the high-impedance state. In operation with an unused pin in the open-circuit state, extra electromagnetic noise is induced in the vicinity of LSI, an associated shoot-through current flows internally, and malfunctions occur due to the false recognition of the pin state as an input signal become possible. Unused pins should be handled as described under Handling of Unused Pins in the manual.

2. Processing at Power-on

The state of the product is undefined at the moment when power is supplied.

- The states of internal circuits in the LSI are indeterminate and the states of register settings and pins are undefined at the moment when power is supplied.

In a finished product where the reset signal is applied to the external reset pin, the states of pins are not guaranteed from the moment when power is supplied until the reset process is completed.

In a similar way, the states of pins in a product that is reset by an on-chip power-on reset function are not guaranteed from the moment when power is supplied until the power reaches the level at which resetting has been specified.

3. Prohibition of Access to Reserved Addresses

Access to reserved addresses is prohibited.

- The reserved addresses are provided for the possible future expansion of functions. Do not access these addresses; the correct operation of LSI is not guaranteed if they are accessed.

4. Clock Signals

After applying a reset, only release the reset line after the operating clock signal has become stable.

When switching the clock signal during program execution, wait until the target clock signal has stabilized.

- When the clock signal is generated with an external resonator (or from an external oscillator) during a reset, ensure that the reset line is only released after full stabilization of the clock signal. Moreover, when switching to a clock signal produced with an external resonator (or by an external oscillator) while program execution is in progress, wait until the target clock signal is stable.

5. Differences between Products

Before changing from one product to another, i.e. to one with a different type number, confirm that the change will not lead to problems.

- The characteristics of MPU/MCU in the same group but having different type numbers may differ because of the differences in internal memory capacity and layout pattern. When changing to products of different type numbers, implement a system-evaluation test for each of the products.

How to Use This Manual

1. Purpose and Target Readers

This manual is designed to provide the user with an understanding of the hardware functions and electrical characteristics of the MCU. It is intended for users designing application systems incorporating the MCU. A basic knowledge of electric circuits, logical circuits, and MCUs is necessary in order to use this manual.

The manual comprises an overview of the product; descriptions of the CPU, system control functions, peripheral functions, and electrical characteristics; and usage notes.

Particular attention should be paid to the precautionary notes when using the manual. These notes occur within the body of the text, at the end of each section, and in the Usage Notes section.

The revision history summarizes the locations of revisions and additions. It does not list all revisions. Refer to the text of the manual for details.

The following documents apply to the R8C/1A Group, R8C/1B Group. Make sure to refer to the latest versions of these documents. The newest versions of the documents listed may be obtained from the Renesas Technology Web site.

Document Type	Description	Document Title	Document No.
Datasheet	Hardware overview and electrical characteristics	R8C/1A Group, R8C/1B Group Datasheet	REJ03B0144
Hardware manual	Hardware specifications (pin assignments, memory maps, peripheral function specifications, electrical characteristics, timing charts) and operation description Note: Refer to the application notes for details on using peripheral functions.	R8C/1A Group, R8C/1B Group Hardware Manual	This hardware manual
Software manual	Description of CPU instruction set	R8C/Tiny Series Software Manual	REJ09B0001
Application note	Information on using peripheral functions and application examples Sample programs Information on writing programs in assembly language and C	Available from Renesas Technology Web site.	
Renesas technical update	Product specifications, updates on documents, etc.		

2. Notation of Numbers and Symbols

The notation conventions for register names, bit names, numbers, and symbols used in this manual are described below.

(1) Register Names, Bit Names, and Pin Names

Registers, bits, and pins are referred to in the text by symbols. The symbol is accompanied by the word “register,” “bit,” or “pin” to distinguish the three categories.

Examples the PM03 bit in the PM0 register
P3_5 pin, VCC pin

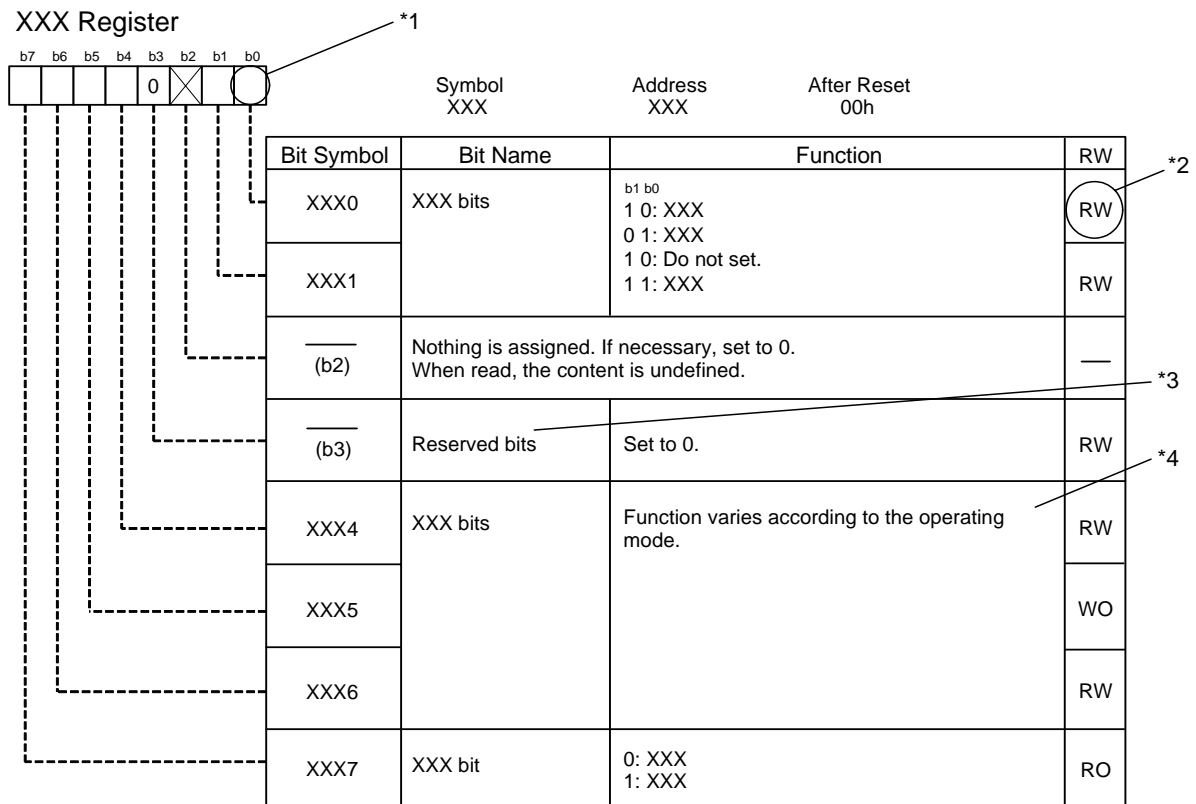
(2) Notation of Numbers

The indication “b” is appended to numeric values given in binary format. However, nothing is appended to the values of single bits. The indication “h” is appended to numeric values given in hexadecimal format. Nothing is appended to numeric values given in decimal format.

Examples Binary: 11b
Hexadecimal: EFA0h
Decimal: 1234

3. Register Notation

The symbols and terms used in register diagrams are described below.



*1
Blank: Set to 0 or 1 according to the application.
0: Set to 0.
1: Set to 1.
X: Nothing is assigned.

*2
RW: Read and write.
RO: Read only.
WO: Write only.
—: Nothing is assigned.

*3
• Reserved bit
Reserved bit. Set to specified value.

*4
• Nothing is assigned
Nothing is assigned to the bit. As the bit may be used for future functions, if necessary, set to 0.
• Do not set to a value
Operation is not guaranteed when a value is set.
• Function varies according to the operating mode.
The function of the bit varies with the peripheral function mode. Refer to the register diagram for information on the individual modes.

4. List of Abbreviations and Acronyms

Abbreviation	Full Form
ACIA	Asynchronous Communication Interface Adapter
bps	bits per second
CRC	Cyclic Redundancy Check
DMA	Direct Memory Access
DMAC	Direct Memory Access Controller
GSM	Global System for Mobile Communications
Hi-Z	High Impedance
IEBus	Inter Equipment bus
I/O	Input/Output
IrDA	Infrared Data Association
LSB	Least Significant Bit
MSB	Most Significant Bit
NC	Non-Connection
PLL	Phase Locked Loop
PWM	Pulse Width Modulation
SFR	Special Function Registers
SIM	Subscriber Identity Module
UART	Universal Asynchronous Receiver/Transmitter
VCO	Voltage Controlled Oscillator

Table of Contents

SFR Page Reference	B - 1
1. Overview	1
1.1 Applications	1
1.2 Performance Overview	2
1.3 Block Diagram	4
1.4 Product Information	5
1.5 Pin Assignments.....	9
1.6 Pin Functions.....	12
2. Central Processing Unit (CPU)	15
2.1 Data Registers (R0, R1, R2, and R3).....	16
2.2 Address Registers (A0 and A1).....	16
2.3 Frame Base Register (FB)	16
2.4 Interrupt Table Register (INTB)	16
2.5 Program Counter (PC)	16
2.6 User Stack Pointer (USP) and Interrupt Stack Pointer (ISP).....	16
2.7 Static Base Register (SB).....	16
2.8 Flag Register (FLG).....	16
2.8.1 Carry Flag (C).....	16
2.8.2 Debug Flag (D)	16
2.8.3 Zero Flag (Z).....	16
2.8.4 Sign Flag (S).....	16
2.8.5 Register Bank Select Flag (B)	16
2.8.6 Overflow Flag (O)	16
2.8.7 Interrupt Enable Flag (I).....	17
2.8.8 Stack Pointer Select Flag (U)	17
2.8.9 Processor Interrupt Priority Level (IPL)	17
2.8.10 Reserved Bit.....	17
3. Memory	18
3.1 R8C/1A Group.....	18
3.2 R8C/1B Group.....	19

4.	Special Function Registers (SFRs)	20
5.	Programmable I/O Ports	24
5.1	Functions of Programmable I/O Ports	24
5.2	Effect on Peripheral Functions	24
5.3	Pins Other than Programmable I/O Ports	24
5.4	Port Settings	32
5.5	Unassigned Pin Handling	37
6.	Resets	38
6.1	Hardware Reset	40
6.1.1	When Power Supply is Stable	40
6.1.2	Power On	40
6.2	Power-On Reset Function	42
6.3	Voltage Monitor 1 Reset	43
6.4	Voltage Monitor 2 Reset	43
6.5	Watchdog Timer Reset	43
6.6	Software Reset	43
7.	Voltage Detection Circuit	44
7.1	VCC Input Voltage	50
7.1.1	Monitoring Vdet1	50
7.1.2	Monitoring Vdet2	50
7.1.3	Digital Filter	50
7.2	Voltage Monitor 1 Reset	52
7.3	Voltage Monitor 2 Interrupt and Voltage Monitor 2 Reset	53
8.	Processor Mode	55
8.1	Processor Modes	55
9.	Bus	57
10.	Clock Generation Circuit	58
10.1	Main Clock	65
10.2	On-Chip Oscillator Clocks	66
10.2.1	Low-Speed On-Chip Oscillator Clock	66
10.2.2	High-Speed On-Chip Oscillator Clock	66

10.3	CPU Clock and Peripheral Function Clock.....	67
10.3.1	System Clock.....	67
10.3.2	CPU Clock.....	67
10.3.3	Peripheral Function Clock (f1, f2, f4, f8, f32).....	67
10.3.4	fRING and fRING128.....	67
10.3.5	fRING-fast.....	67
10.3.6	fRING-S.....	67
10.4	Power Control.....	68
10.4.1	Standard Operating Mode.....	68
10.4.2	Wait Mode.....	69
10.4.3	Stop Mode.....	72
10.5	Oscillation Stop Detection Function.....	74
10.5.1	How to Use Oscillation Stop Detection Function.....	74
10.6	Notes on Clock Generation Circuit.....	76
10.6.1	Stop Mode.....	76
10.6.2	Wait Mode.....	76
10.6.3	Oscillation Stop Detection Function.....	76
10.6.4	Oscillation Circuit Constants.....	76
10.6.5	High-Speed On-Chip Oscillator Clock.....	76
11.	Protection.....	77
12.	Interrupts.....	78
12.1	Interrupt Overview.....	78
12.1.1	Types of Interrupts.....	78
12.1.2	Software Interrupts.....	79
12.1.3	Special Interrupts.....	80
12.1.4	Peripheral Function Interrupt.....	80
12.1.5	Interrupts and Interrupt Vectors.....	81
12.1.6	Interrupt Control.....	83
12.2	$\overline{\text{INT}}$ Interrupt.....	91
12.2.1	$\overline{\text{INT0}}$ Interrupt.....	91
12.2.2	$\overline{\text{INT0}}$ Input Filter.....	92
12.2.3	$\overline{\text{INT1}}$ Interrupt.....	93
12.2.4	$\overline{\text{INT3}}$ Interrupt.....	94
12.3	Key Input Interrupt.....	96

12.4	Address Match Interrupt.....	98
12.5	Notes on Interrupts.....	100
12.5.1	Reading Address 00000h.....	100
12.5.2	SP Setting.....	100
12.5.3	External Interrupt and Key Input Interrupt	100
12.5.4	Watchdog Timer Interrupt.....	100
12.5.5	Changing Interrupt Sources.....	101
12.5.6	Changing Interrupt Control Register Contents	102
13.	Watchdog Timer	103
13.1	Count Source Protection Mode Disabled	106
13.2	Count Source Protection Mode Enabled	107
14.	Timers	108
14.1	Timer X.....	109
14.1.1	Timer Mode	112
14.1.2	Pulse Output Mode.....	113
14.1.3	Event Counter Mode.....	115
14.1.4	Pulse Width Measurement Mode	116
14.1.5	Pulse Period Measurement Mode	119
14.1.6	Notes on Timer X.....	122
14.2	Timer Z.....	123
14.2.1	Timer Mode	128
14.2.2	Programmable Waveform Generation Mode.....	130
14.2.3	Programmable One-shot Generation Mode	133
14.2.4	Programmable Wait One-Shot Generation Mode.....	136
14.2.5	Notes on Timer Z.....	140
14.3	Timer C.....	141
14.3.1	Input Capture Mode.....	147
14.3.2	Output Compare Mode.....	149
14.3.3	Notes on Timer C	151
15.	Serial Interface	152
15.1	Clock Synchronous Serial I/O Mode	158
15.1.1	Polarity Select Function.....	161
15.1.2	LSB First/MSB First Select Function	161

15.1.3	Continuous Receive Mode	162
15.2	Clock Asynchronous Serial I/O (UART) Mode	163
15.2.1	CNTR0 Pin Select Function.....	166
15.2.2	Bit Rate.....	167
15.3	Notes on Serial Interface.....	168
16.	Clock Synchronous Serial Interface	169
16.1	Mode Selection.....	169
16.2	Clock Synchronous Serial I/O with Chip Select (SSU).....	170
16.2.1	Transfer Clock	179
16.2.2	SS Shift Register (SSTRSR)	181
16.2.3	Interrupt Requests	182
16.2.4	Communication Modes and Pin Functions	183
16.2.5	Clock Synchronous Communication Mode.....	184
16.2.6	Operation in 4-Wire Bus Communication Mode	191
16.2.7	$\overline{\text{SCS}}$ Pin Control and Arbitration	197
16.2.8	Notes on Clock Synchronous Serial I/O with Chip Select	198
16.3	I ² C bus Interface	199
16.3.1	Transfer Clock	209
16.3.2	Interrupt Requests	210
16.3.3	I ² C bus Interface Mode.....	211
16.3.4	Clock Synchronous Serial Mode	222
16.3.5	Noise Canceller	225
16.3.6	Bit Synchronization Circuit.....	226
16.3.7	Examples of Register Setting	227
16.3.8	Notes on I ² C bus Interface	231
17.	A/D Converter	232
17.1	One-Shot Mode	236
17.2	Repeat Mode.....	238
17.3	Sample and Hold.....	240
17.4	A/D Conversion Cycles	240
17.5	Internal Equivalent Circuit of Analog Input Block	241
17.6	Inflow Current Bypass Circuit	242
17.7	Output Impedance of Sensor under A/D Conversion	243
17.8	Notes on A/D Converter	244

18. Flash Memory	245
18.1 Overview	245
18.2 Memory Map	247
18.3 Functions to Prevent Rewriting of Flash Memory.....	249
18.3.1 ID Code Check Function	249
18.3.2 ROM Code Protect Function	250
18.4 CPU Rewrite Mode.....	251
18.4.1 EW0 Mode.....	252
18.4.2 EW1 Mode.....	252
18.4.3 Software Commands	261
18.4.4 Status Register	266
18.4.5 Full Status Check	267
18.5 Standard Serial I/O Mode.....	269
18.5.1 ID Code Check Function	269
18.6 Parallel I/O Mode.....	273
18.6.1 ROM Code Protect Function	273
18.7 Notes on Flash Memory	274
18.7.1 CPU Rewrite Mode.....	274
19. Electrical Characteristics	276
20. Usage Notes	296
20.1 Notes on Clock Generation Circuit	296
20.1.1 Stop Mode	296
20.1.2 Wait Mode	296
20.1.3 Oscillation Stop Detection Function.....	296
20.1.4 Oscillation Circuit Constants.....	296
20.1.5 High-Speed On-Chip Oscillator Clock	296
20.2 Notes on Interrupts.....	297
20.2.1 Reading Address 00000h	297
20.2.2 SP Setting.....	297
20.2.3 External Interrupt and Key Input Interrupt	297
20.2.4 Watchdog Timer Interrupt.....	297
20.2.5 Changing Interrupt Sources.....	298
20.2.6 Changing Interrupt Control Register Contents	299
20.3 Precautions on Timers	300

20.3.1	Notes on Timer X.....	300
20.3.2	Notes on Timer Z.....	300
20.3.3	Notes on Timer C	301
20.4	Notes on Serial Interface.....	302
20.5	Precautions on Clock Synchronous Serial Interface	303
20.5.1	Notes on Clock Synchronous Serial I/O with Chip Select	303
20.5.2	Notes on I ² C bus Interface	304
20.6	Notes on A/D Converter	305
20.7	Notes on Flash Memory	306
20.7.1	CPU Rewrite Mode.....	306
20.8	Notes on Noise.....	308
20.8.1	Inserting a Bypass Capacitor between VCC and VSS Pins as a Countermeasure against Noise and Latch-Up	308
20.8.2	Countermeasures against Noise Error of Port Control Registers.....	308
21.	Notes on On-Chip Debugger	309
	Appendix 1. Package Dimensions	310
	Appendix 2. Connection Examples between Serial Writer and On-Chip Debugging Emulator	312
	Appendix 3. Example of Oscillation Evaluation Circuit	313
	Register Index	314

SFR Page Reference

Address	Register	Symbol	Page
0000h			
0001h			
0002h			
0003h			
0004h	Processor Mode Register 0	PM0	55
0005h	Processor Mode Register 1	PM1	56
0006h	System Clock Control Register 0	CM0	60
0007h	System Clock Control Register 1	CM1	61
0008h			
0009h	Address Match Interrupt Enable Register	AIER	99
000Ah	Protect Register	PRCR	77
000Bh			
000Ch	Oscillation Stop Detection Register	OCD	62
000Dh	Watchdog Timer Reset Register	WDTR	105
000Eh	Watchdog Timer Start Register	WDTS	105
000Fh	Watchdog Timer Control Register	WDC	104
0010h	Address Match Interrupt Register 0	RMAD0	99
0011h			
0012h			
0013h			
0014h	Address Match Interrupt Register 1	RMAD1	99
0015h			
0016h			
0017h			
0018h			
0019h			
001Ah			
001Bh			
001Ch	Count Source Protection Mode Register	CSPR	105
001Dh			
001Eh	INT0 Input Filter Select Register	INT0F	91
001Fh			
0020h	High-Speed On-Chip Oscillator Control Register 0	HRA0	63
0021h	High-Speed On-Chip Oscillator Control Register 1	HRA1	64
0022h	High-Speed On-Chip Oscillator Control Register 2	HRA2	64
0023h			
0024h			
0025h			
0026h			
0027h			
0028h			
0029h			
002Ah			
002Bh			
002Ch			
002Dh			
002Eh			
002Fh			
0030h			
0031h	Voltage Detection Register 1	VCA1	47
0032h	Voltage Detection Register 2	VCA2	47
0033h			
0034h			
0035h			
0036h	Voltage Monitor 1 Circuit Control Register	VW1C	48
0037h	Voltage Monitor 2 Circuit Control Register	VW2C	49
0038h			
0039h			
003Ah			
003Bh			
003Ch			
003Dh			
003Eh			
003Fh			

Address	Register	Symbol	Page
0040h			
0041h			
0042h			
0043h			
0044h			
0045h			
0046h			
0047h			
0048h			
0049h			
004Ah			
004Bh			
004Ch			
004Dh	Key Input Interrupt Control Register	KUPIC	83
004Eh	A/D Conversion Interrupt Control Register	ADIC	83
004Fh	SSU/IIC Interrupt Control Register	SSUAIC/IIC2AIC	83
0050h	Compare 1 Interrupt Control Register	CMP1IC	83
0051h	UART0 Transmit Interrupt Control Register	S0TIC	83
0052h	UART0 Receive Interrupt Control Register	S0RIC	83
0053h	UART1 Transmit Interrupt Control Register	S1TIC	83
0054h	UART1 Receive Interrupt Control Register	S1RIC	83
0055h			
0056h	Timer X Interrupt Control Register	TXIC	83
0057h			
0058h	Timer Z Interrupt Control Register	TZIC	83
0059h	INT1 Interrupt Control Register	INT1IC	83
005Ah	INT3 Interrupt Control Register	INT3IC	83
005Bh	Timer C Interrupt Control Register	TCIC	83
005Ch	Compare 0 Interrupt Control Register	CMP0IC	83
005Dh	INT0 Interrupt Control Register	INT0IC	84
005Eh			
005Fh			
0060h			
0061h			
0062h			
0063h			
0064h			
0065h			
0066h			
0067h			
0068h			
0069h			
006Ah			
006Bh			
006Ch			
006Dh			
006Eh			
006Fh			
0070h			
0071h			
0072h			
0073h			
0074h			
0075h			
0076h			
0077h			
0078h			
0079h			
007Ah			
007Bh			
007Ch			
007Dh			
007Eh			
007Fh			

NOTE:

1. The blank regions are reserved.
Do not access locations in these regions.

Address	Register	Symbol	Page
0080h	Timer Z Mode Register	TZMR	124
0081h			
0082h			
0083h			
0084h	Timer Z Waveform Output Control Register	PUM	126
0085h	Prescaler Z Register	PREZ	125
0086h	Timer Z Secondary Register	TZSC	125
0087h	Timer Z Primary Register	TZPR	125
0088h			
0089h			
008Ah	Timer Z Output Control Register	TZOC	126
008Bh	Timer X Mode Register	TXMR	110
008Ch	Prescaler X Register	PREX	111
008Dh	Timer X Register	TX	111
008Eh	Timer Count Source Setting Register	TCSS	111,127
008Fh			
0090h	Timer C Register	TC	143
0091h			
0092h			
0093h			
0094h			
0095h			
0096h	External Input Enable Register	INTEN	91
0097h			
0098h	Key Input Enable Register	KIEN	97
0099h			
009Ah	Timer C Control Register 0	TCC0	144
009Bh	Timer C Control Register 1	TCC1	145
009Ch	Capture, Compare 0 Register	TM0	143
009Dh			
009Eh	Compare 1 Register	TM1	143
009Fh			
00A0h	UART0 Transmit/Receive Mode Register	U0MR	155
00A1h	UART0 Bit Rate Register	U0BRG	154
00A2h	UART0 Transmit Buffer Register	U0TB	154
00A3h			
00A4h	UART0 Transmit/Receive Control Register 0	U0C0	156
00A5h	UART0 Transmit/Receive Control Register 1	U0C1	157
00A6h	UART0 Receive Buffer Register	U0RB	154
00A7h			
00A8h	UART1 Transmit/Receive Mode Register	U1MR	155
00A9h	UART1 Bit Rate Register	U1BRG	154
00AAh	UART1 Transmit Buffer Register	U1TB	154
00ABh			
00ACh	UART1 Transmit/Receive Control Register 0	U1C0	156
00ADh	UART1 Transmit/Receive Control Register 1	U1C1	157
00AEh	UART1 Receive Buffer Register	U1RB	154
00AFh			
00B0h	UART Transmit/Receive Control Register 2	UCON	157
00B1h			
00B2h			
00B3h			
00B4h			
00B5h			
00B6h			
00B7h			
00B8h	SS Control Register H / IIC bus Control Register 1	SSCRH / ICCR1	172, 202
00B9h	SS Control Register L / IIC bus Control Register 2	SSCRL / ICCR2	173, 203
00BAh	SS Mode Register / IIC bus Mode Register	SSMR / ICMR	174, 204
00BBh	SS Enable Register / IIC bus Interrupt Enable Register	SSER / ICIER	175, 205
00BCh	SS Status Register / IIC bus Status Register	SSSR / ICSR	176, 206
00BDh	SS Mode Register 2 / Slave Address Register	SSMR2 / SAR	177, 207
00BEh	SS Transmit Data Register / IIC bus Transmit Data Register	SSTDR / ICDRT	178, 207
00BFh	SS Receive Data Register / IIC bus Receive Data Register	SSRDR / ICDRR	178, 208

NOTE:

- The blank regions, 0100h to 01B2h, and 01C0h to 02FFh are reserved.
Do not access locations in these regions.

Address	Register	Symbol	Page
00C0h	A/D Register	AD	235
00C1h			
00C2h			
00C3h			
00C4h			
00C5h			
00C6h			
00C7h			
00C8h			
00C9h			
00CAh			
00CBh			
00CCh			
00CDh			
00CEh			
00CFh			
00D0h			
00D1h			
00D2h			
00D3h			
00D4h	A/D Control Register 2	ADCON2	235
00D5h			
00D6h	A/D Control Register 0	ADCON0	234
00D7h	A/D Control Register 1	ADCON1	234
00D8h			
00D9h			
00DAh			
00DBh			
00DCh			
00DDh			
00DEh			
00DFh			
00E0h			
00E1h	Port P1 Register	P1	29
00E2h			
00E3h	Port P1 Direction Register	PD1	29
00E4h			
00E5h	Port P3 Register	P3	29
00E6h			
00E7h	Port P3 Direction Register	PD3	29
00E8h	Port P4 Register	P4	30
00E9h			
00EAh	Port P4 Direction Register	PD4	29
00EBh			
00ECh			
00EDh			
00EEh			
00EFh			
00F0h			
00F1h			
00F2h			
00F3h			
00F4h			
00F5h			
00F6h			
00F7h			
00F8h	Port Mode Register	PMR	30, 178, 208
00F9h			
00FAh			
00FBh			
00FCh	Pull-Up Control Register 0	PUR0	31
00FDh	Pull-Up Control Register 1	PUR1	31
00FEh	Port P1 Drive Capacity Control Register	DRR	31
00FFh	Timer C Output Control Register	TCOUT	146
01B3h	Flash Memory Control Register 4	FMR4	257
01B4h			
01B5h	Flash Memory Control Register 1	FMR1	256
01B6h			
01B7h	Flash Memory Control Register 0	FMR0	255
0FFFh	Optional Function Select Register	OFS	104, 250

1. Overview

These MCUs are fabricated using the high-performance silicon gate CMOS process, embedding the R8C/Tiny Series CPU core, and is packaged in a 20-pin molded-plastic LSSOP, SDIP or a 28-pin plastic molded-HWQFN. It implements sophisticated instructions for a high level of instruction efficiency. With 1 Mbyte of address space, they are capable of executing instructions at high speed.

Furthermore, the R8C/1B Group has on-chip data flash ROM (1 KB × 2 blocks).

The difference between the R8C/1A Group and R8C/1B Group is only the presence or absence of data flash ROM. Their peripheral functions are the same.

1.1 Applications

Electric household appliances, office equipment, housing equipment (sensors, security systems), portable equipment, general industrial equipment, audio equipment, etc.

1.2 Performance Overview

Table 1.1 outlines the Functions and Specifications for R8C/1A Group and Table 1.2 outlines the Functions and Specifications for R8C/1B Group.

Table 1.1 Functions and Specifications for R8C/1A Group

	Item	Specification
CPU	Number of fundamental instructions	89 instructions
	Minimum instruction execution time	50 ns ($f(XIN) = 20$ MHz, $VCC = 3.0$ to 5.5 V) 100 ns ($f(XIN) = 10$ MHz, $VCC = 2.7$ to 5.5 V)
	Operating mode	Single-chip
	Address space	1 Mbyte
	Memory capacity	See Table 1.3 Product Information for R8C/1A Group
Peripheral Functions	Ports	I/O ports: 13 pins (including LED drive port) Input port: 3 pins
	LED drive ports	I/O ports: 4 pins
	Timers	Timer X: 8 bits \times 1 channel, timer Z: 8 bits \times 1 channel (Each timer equipped with 8-bit prescaler) Timer C: 16 bits \times 1 channel (Input capture and output compare circuits)
	Serial interfaces	1 channel Clock synchronous serial I/O, UART 1 channel UART
	Clock synchronous serial interface	1 channel I ² C bus Interface ⁽¹⁾ Clock synchronous serial I/O with chip select (SSU)
	A/D converter	10-bit A/D converter: 1 circuit, 4 channels
	Watchdog timer	15 bits \times 1 channel (with prescaler) Reset start selectable, count source protection mode
	Interrupts	Internal: 11 sources, External: 4 sources, Software: 4 sources, Priority levels: 7 levels
	Clock generation circuits	2 circuits <ul style="list-style-type: none"> • Main clock oscillation circuit (with on-chip feedback resistor) • On-chip oscillator (high speed, low speed) High-speed on-chip oscillator has a frequency adjustment function
	Oscillation stop detection function	Main clock oscillation stop detection function
	Voltage detection circuit	On-chip
	Power-on reset circuit	On-chip
	Electric Characteristics	Supply voltage
Current consumption		Typ. 9 mA ($VCC = 5.0$ V, $f(XIN) = 20$ MHz, A/D converter stopped) Typ. 5 mA ($VCC = 3.0$ V, $f(XIN) = 10$ MHz, A/D converter stopped) Typ. 35 μ A ($VCC = 3.0$ V, wait mode, peripheral clock off) Typ. 0.7 μ A ($VCC = 3.0$ V, stop mode)
Flash Memory	Programming and erasure voltage	$VCC = 2.7$ to 5.5 V
	Programming and erasure endurance	100 times
Operating Ambient Temperature		-20 to 85°C
		-40 to 85°C (D version)
		-20 to 105°C (Y version) ⁽²⁾
Package		20-pin molded-plastic LSSOP
		20-pin molded-plastic SDIP
		28-pin molded-plastic HWQFN

NOTE:

1. I²C bus is a trademark of Koninklijke Philips Electronics N. V.
2. Please contact Renesas Technology sales offices for the Y version.

Table 1.2 Functions and Specifications for R8C/1B Group

Item		Specification
CPU	Number of fundamental instructions	89 instructions
	Minimum instruction execution time	50 ns ($f(XIN) = 20$ MHz, $VCC = 3.0$ to 5.5 V) 100 ns ($f(XIN) = 10$ MHz, $VCC = 2.7$ to 5.5 V)
	Operating mode	Single-chip
	Address space	1 Mbyte
	Memory capacity	See Table 1.4 Product Information for R8C/1B Group
Peripheral Functions	Ports	I/O ports: 13 pins (including LED drive port) Input port: 3 pins
	LED drive ports	I/O ports: 4 pins
	Timers	Timer X: 8 bits \times 1 channel, timer Z: 8 bits \times 1 channel (Each timer equipped with 8-bit prescaler) Timer C: 16 bits \times 1 channel (Input capture and output compare circuits)
	Serial interfaces	1 channel Clock synchronous serial I/O, UART 1 channel UART
	Clock synchronous serial interface	1 channel I ² C bus Interface ⁽¹⁾ Clock synchronous serial I/O with chip select (SSU)
	A/D converter	10-bit A/D converter: 1 circuit, 4 channels
	Watchdog timer	15 bits \times 1 channel (with prescaler) Reset start selectable, count source protection mode
	Interrupts	Internal: 11 sources, External: 4 sources, Software: 4 sources, Priority levels: 7 levels
	Clock generation circuits	2 circuits • Main clock generation circuit (with on-chip feedback resistor) • On-chip oscillator (high speed, low speed) High-speed on-chip oscillator has a frequency adjustment function
	Oscillation stop detection function	Main clock oscillation stop detection function
	Voltage detection circuit	On-chip
	Power on reset circuit	On-chip
	Electric Characteristics	Supply voltage
Current consumption		Typ. 9 mA ($VCC = 5.0$ V, $f(XIN) = 20$ MHz, A/D converter stopped) Typ. 5 mA ($VCC = 3.0$ V, $f(XIN) = 10$ MHz, A/D converter stopped) Typ. 35 μ A ($VCC = 3.0$ V, wait mode, peripheral clock off) Typ. 0.7 μ A ($VCC = 3.0$ V, stop mode)
Flash Memory	Programming and erasure voltage	$VCC = 2.7$ to 5.5 V
	Programming and erasure endurance	10,000 times (data flash) 1,000 times (program ROM)
Operating Ambient Temperature		-20 to 85°C
		-40 to 85°C (D version)
		-20 to 105°C (Y version) ⁽²⁾
Package		20-pin molded-plastic LSSOP
		20-pin molded-plastic SDIP
		28-pin molded-plastic HWQFN

NOTE:

1. I²C bus is a trademark of Koninklijke Philips Electronics N. V.
2. Please contact Renesas Technology sales offices for the Y version.

1.3 Block Diagram

Figure 1.1 shows a Block Diagram.

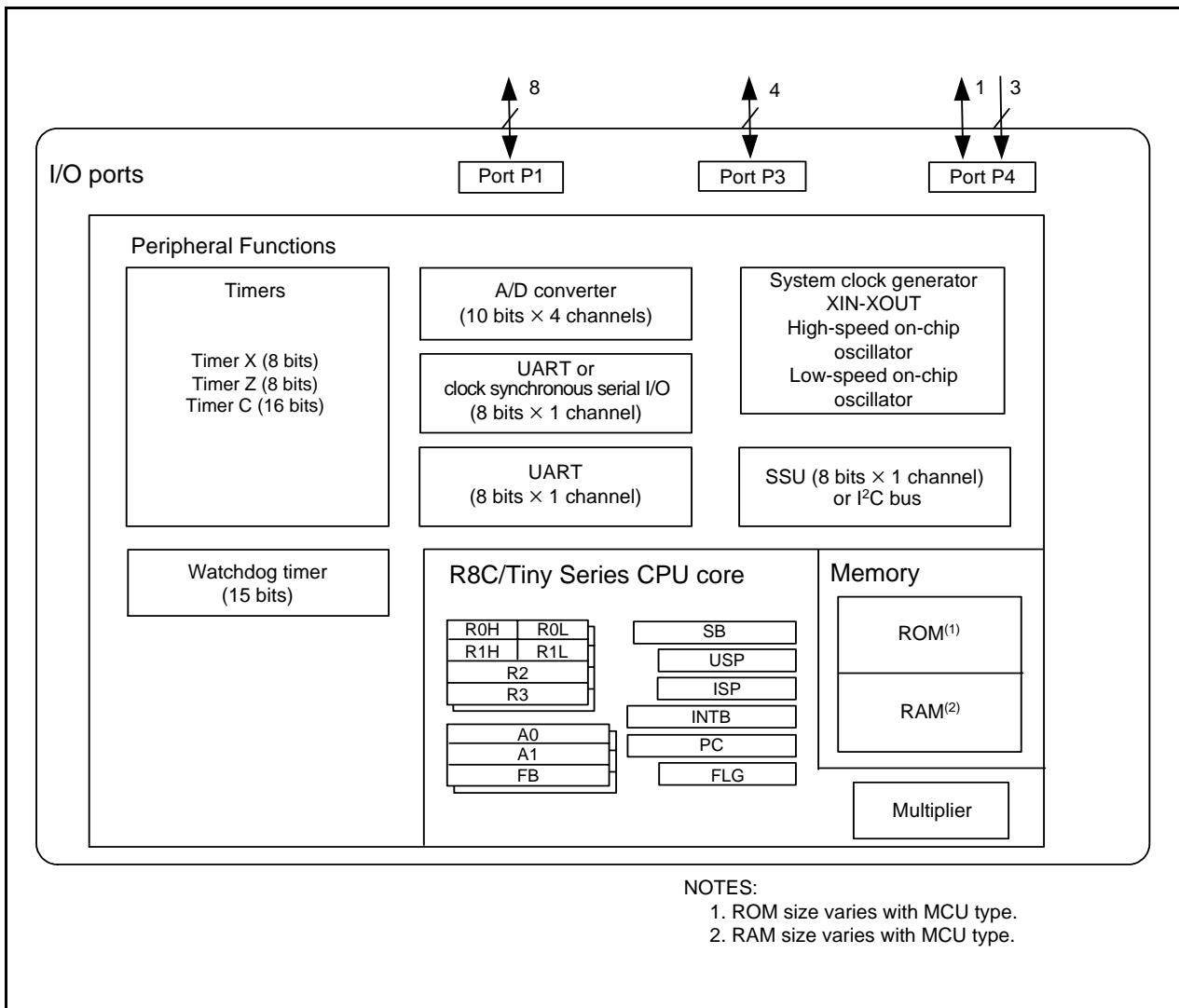


Figure 1.1 Block Diagram

1.4 Product Information

Table 1.3 lists Product Information for R8C/1A Group and Table 1.4 lists Product Information for R8C/1B Group.

Table 1.3 Product Information for R8C/1A Group **Current of December 2006**

Type No.	ROM Capacity	RAM Capacity	Package Type	Remarks
R5F211A1SP	4 Kbytes	384 bytes	PLSP0020JB-A	
R5F211A2SP	8 Kbytes	512 bytes	PLSP0020JB-A	
R5F211A3SP	12 Kbytes	768 bytes	PLSP0020JB-A	
R5F211A4SP	16 Kbytes	1 Kbyte	PLSP0020JB-A	
R5F211A1DSP	4 Kbytes	384 bytes	PLSP0020JB-A	D version
R5F211A2DSP	8 Kbytes	512 bytes	PLSP0020JB-A	
R5F211A3DSP	12 Kbytes	768 bytes	PLSP0020JB-A	
R5F211A4DSP	16 Kbytes	1 Kbyte	PLSP0020JB-A	
R5F211A1DD	4 Kbytes	384 bytes	PRDP0020BA-A	
R5F211A2DD	8 Kbytes	512 bytes	PRDP0020BA-A	
R5F211A3DD	12 Kbytes	768 bytes	PRDP0020BA-A	
R5F211A4DD	16 Kbytes	1 Kbyte	PRDP0020BA-A	
R5F211A2NP	8 Kbytes	512 bytes	PWQN0028KA-B	
R5F211A3NP	12 Kbytes	768 bytes	PWQN0028KA-B	
R5F211A4NP	16 Kbytes	1 Kbyte	PWQN0028KA-B	
R5F211A1XXXSP	4 Kbytes	384 bytes	PLSP0020JB-A	
R5F211A2XXXSP	8 Kbytes	512 bytes	PLSP0020JB-A	
R5F211A3XXXSP	12 Kbytes	768 bytes	PLSP0020JB-A	
R5F211A4XXXSP	16 Kbytes	1 Kbyte	PLSP0020JB-A	
R5F211A1DXXXSP	4 Kbytes	384 bytes	PLSP0020JB-A	D version
R5F211A2DXXXSP	8 Kbytes	512 bytes	PLSP0020JB-A	
R5F211A3DXXXSP	12 Kbytes	768 bytes	PLSP0020JB-A	
R5F211A4DXXXSP	16 Kbytes	1 Kbyte	PLSP0020JB-A	
R5F211A1XXXDD	4 Kbytes	384 bytes	PRDP0020BA-A	Factory programming product (1)
R5F211A2XXXDD	8 Kbytes	512 bytes	PRDP0020BA-A	
R5F211A3XXXDD	12 Kbytes	768 bytes	PRDP0020BA-A	
R5F211A4XXXDD	16 Kbytes	1 Kbyte	PRDP0020BA-A	
R5F211A2XXXNP	8 Kbytes	512 bytes	PWQN0028KA-B	
R5F211A3XXXNP	12 Kbytes	768 bytes	PWQN0028KA-B	
R5F211A4XXXNP	16 Kbytes	1 Kbyte	PWQN0028KA-B	
R5F211A1XXXNP	4 Kbytes	384 bytes	PWQN0028KA-B	

NOTE:

1. The user ROM is programmed before shipment.

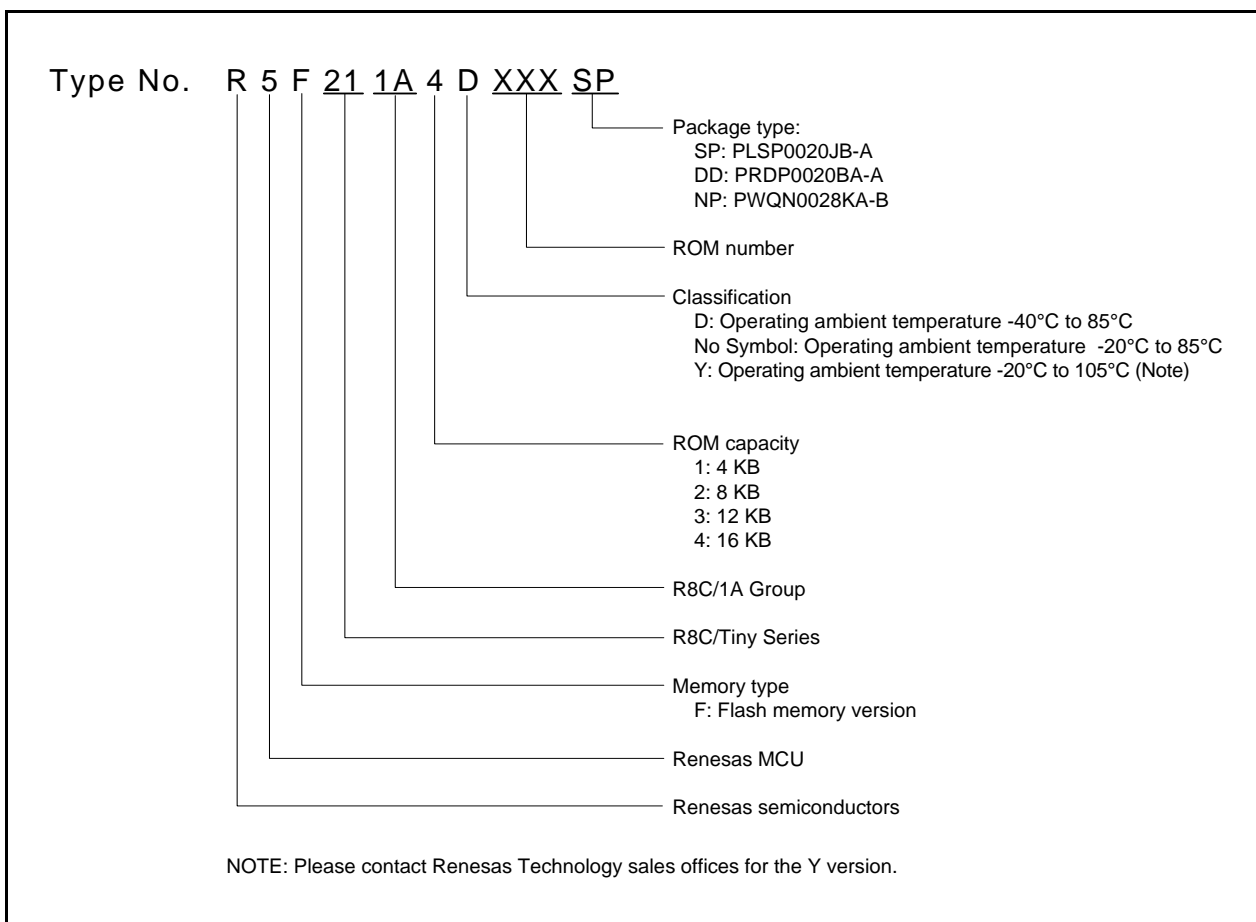


Figure 1.2 Type Number, Memory Size, and Package of R8C/1A Group

Table 1.4 Product Information for R8C/1B Group **Current of December 2006**

Type No.	ROM Capacity		RAM Capacity	Package Type	Remarks
	Program ROM	Data Flash			
R5F211B1SP	4 Kbytes	1 Kbyte × 2	384 bytes	PLSP0020JB-A	
R5F211B2SP	8 Kbytes	1 Kbyte × 2	512 bytes	PLSP0020JB-A	
R5F211B3SP	12 Kbytes	1 Kbyte × 2	768 bytes	PLSP0020JB-A	
R5F211B4SP	16 Kbytes	1 Kbyte × 2	1 Kbyte	PLSP0020JB-A	
R5F211B1DSP	4 Kbytes	1 Kbyte × 2	384 bytes	PLSP0020JB-A	D version
R5F211B2DSP	8 Kbytes	1 Kbyte × 2	512 bytes	PLSP0020JB-A	
R5F211B3DSP	12 Kbytes	1 Kbyte × 2	768 bytes	PLSP0020JB-A	
R5F211B4DSP	16 Kbytes	1 Kbyte × 2	1 Kbyte	PLSP0020JB-A	
R5F211B1DD	4 Kbytes	1 Kbyte × 2	384 bytes	PRDP0020BA-A	
R5F211B2DD	8 Kbytes	1 Kbyte × 2	512 bytes	PRDP0020BA-A	
R5F211B3DD	12 Kbytes	1 Kbyte × 2	768 bytes	PRDP0020BA-A	
R5F211B4DD	16 Kbytes	1 Kbyte × 2	1 Kbyte	PRDP0020BA-A	
R5F211B2NP	8 Kbytes	1 Kbyte × 2	512 bytes	PWQN0028KA-B	
R5F211B3NP	12 Kbytes	1 Kbyte × 2	768 bytes	PWQN0028KA-B	
R5F211B4NP	16 Kbytes	1 Kbyte × 2	1 Kbyte	PWQN0028KA-B	
R5F211B1XXXSP	4 Kbytes	1 Kbyte × 2	384 bytes	PLSP0020JB-A	
R5F211B2XXXSP	8 Kbytes	1 Kbyte × 2	512 bytes	PLSP0020JB-A	
R5F211B3XXXSP	12 Kbytes	1 Kbyte × 2	768 bytes	PLSP0020JB-A	
R5F211B4XXXSP	16 Kbytes	1 Kbyte × 2	1 Kbyte	PLSP0020JB-A	
R5F211B1DXXXSP	4 Kbytes	1 Kbyte × 2	384 bytes	PLSP0020JB-A	D version
R5F211B2DXXXSP	8 Kbytes	1 Kbyte × 2	512 bytes	PLSP0020JB-A	
R5F211B3DXXXSP	12 Kbytes	1 Kbyte × 2	768 bytes	PLSP0020JB-A	
R5F211B4DXXXSP	16 Kbytes	1 Kbyte × 2	1 Kbyte	PLSP0020JB-A	
R5F211B1XXXDD	4 Kbytes	1 Kbyte × 2	384 bytes	PRDP0020BA-A	Factory programming product (1)
R5F211B2XXXDD	8 Kbytes	1 Kbyte × 2	512 bytes	PRDP0020BA-A	
R5F211B3XXXDD	12 Kbytes	1 Kbyte × 2	768 bytes	PRDP0020BA-A	
R5F211B4XXXDD	16 Kbytes	1 Kbyte × 2	1 Kbyte	PRDP0020BA-A	
R5F211B2XXXNP	8 Kbytes	1 Kbyte × 2	512 bytes	PWQN0028KA-B	
R5F211B3XXXNP	12 Kbytes	1 Kbyte × 2	768 bytes	PWQN0028KA-B	
R5F211B4XXXNP	16 Kbytes	1 Kbyte × 2	1 Kbyte	PWQN0028KA-B	
R5F211B4XXXNP	16 Kbytes	1 Kbyte × 2	1 Kbyte	PWQN0028KA-B	

NOTE:

1. The user ROM is programmed before shipment.

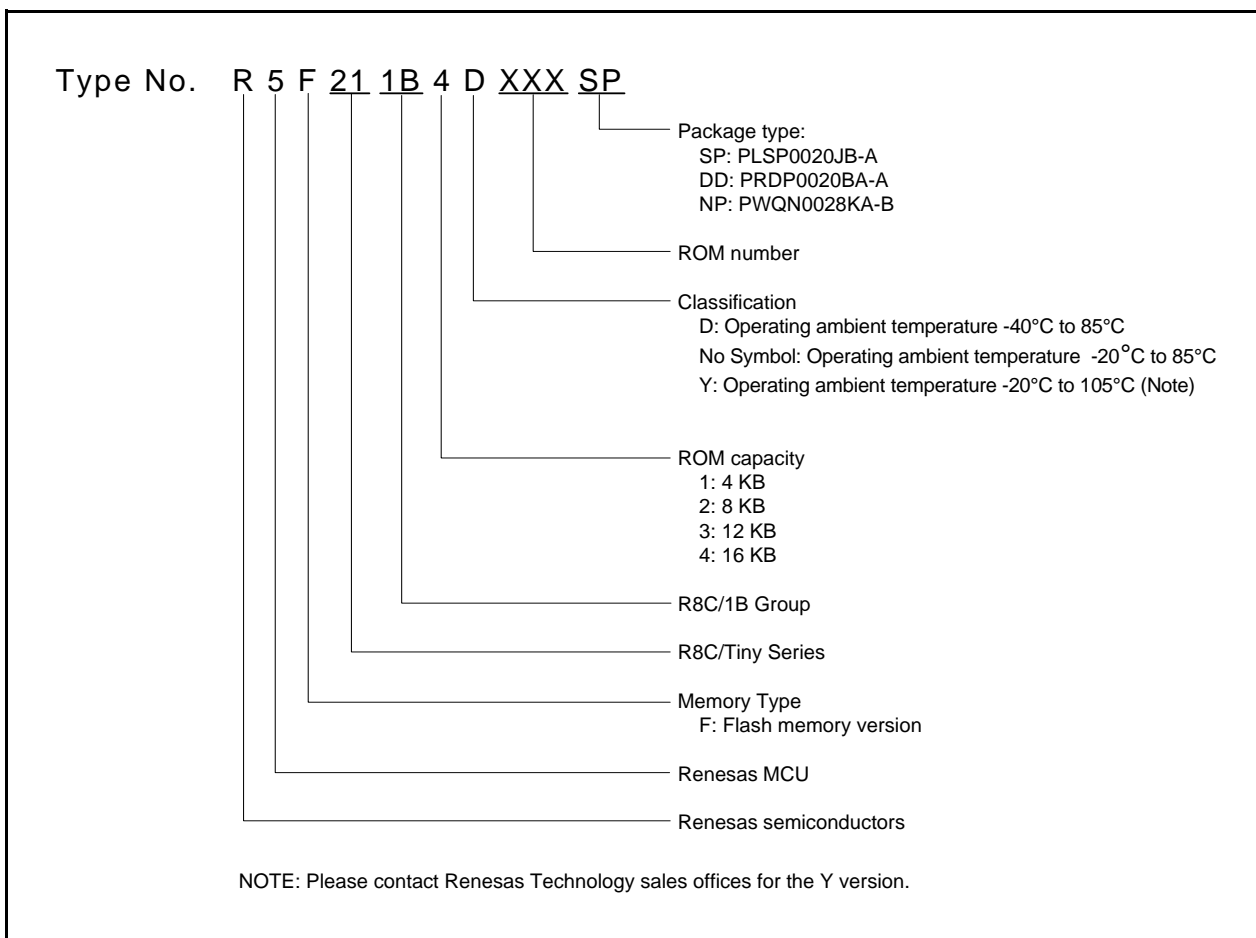


Figure 1.3 Type Number, Memory Size, and Package of R8C/1B Group

1.5 Pin Assignments

Figure 1.4 shows Pin Assignments for PLSP0020JB-A Package (Top View), Figure 1.5 shows Pin Assignments for PRDP0020BA-A Package (Top View) and Figure 1.6 shows Pin Assignments for PWQN0028KA-B Package (Top View).

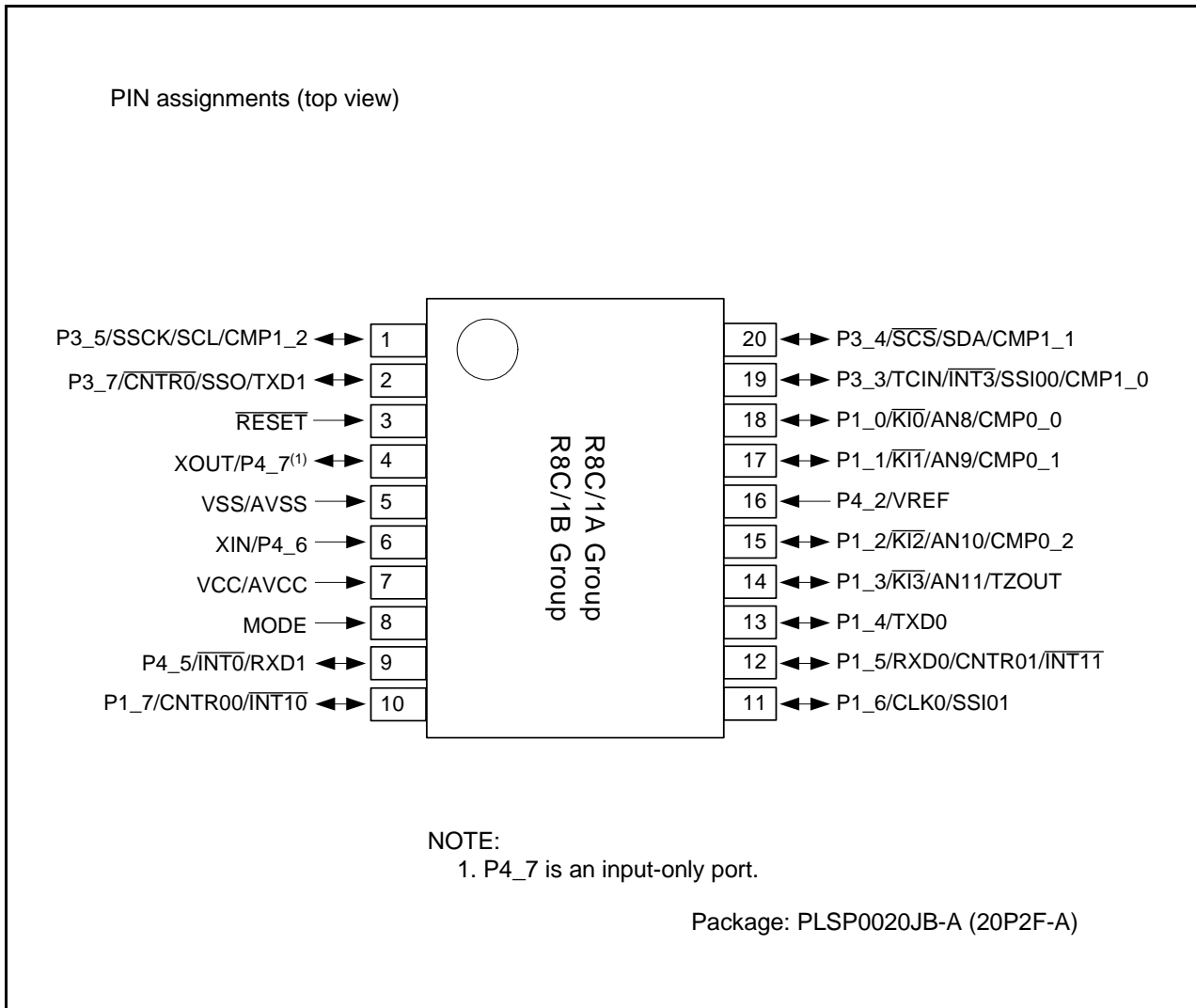


Figure 1.4 Pin Assignments for PLSP0020JB-A Package (Top View)

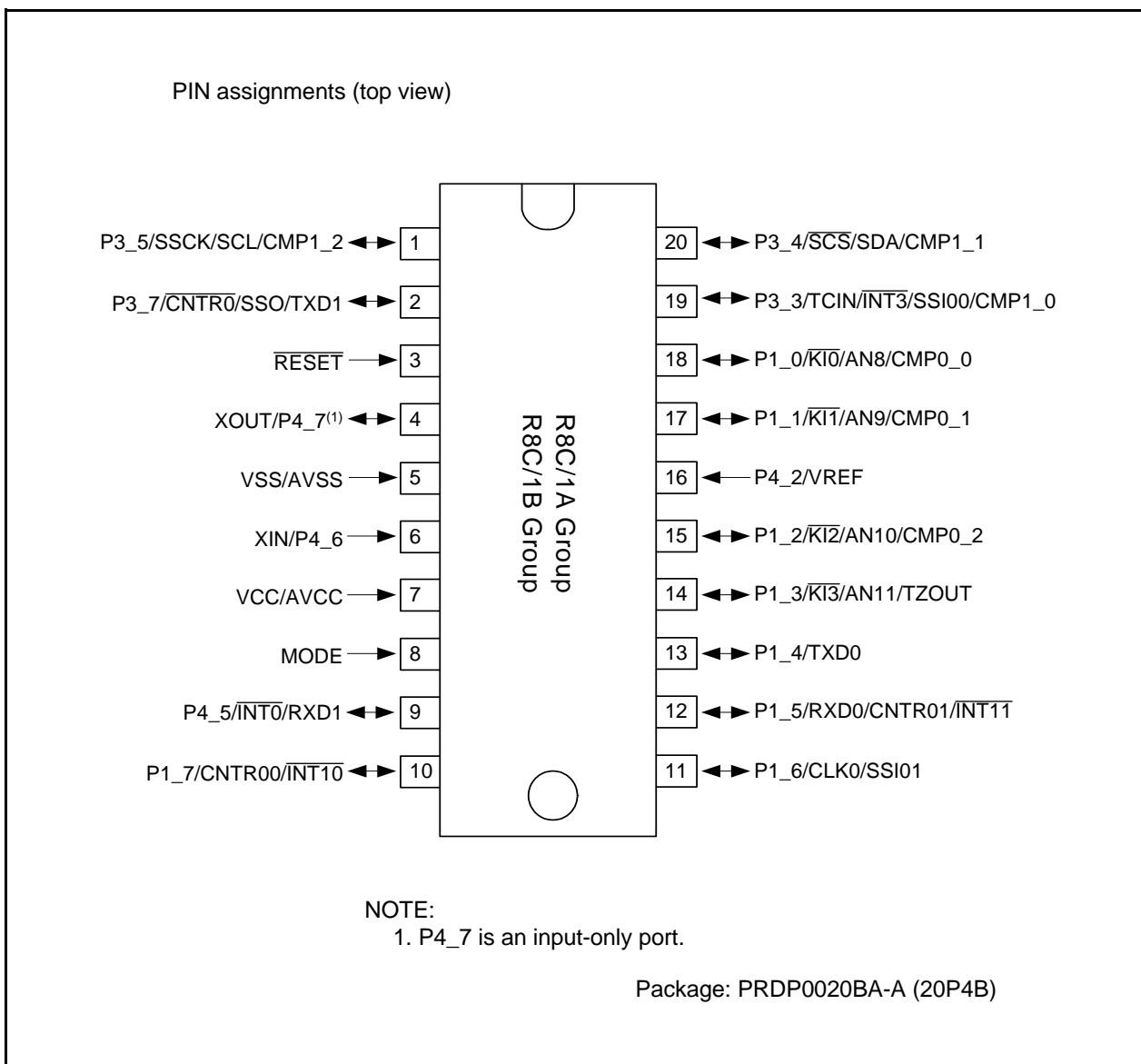


Figure 1.5 Pin Assignments for PRDP0020BA-A Package (Top View)

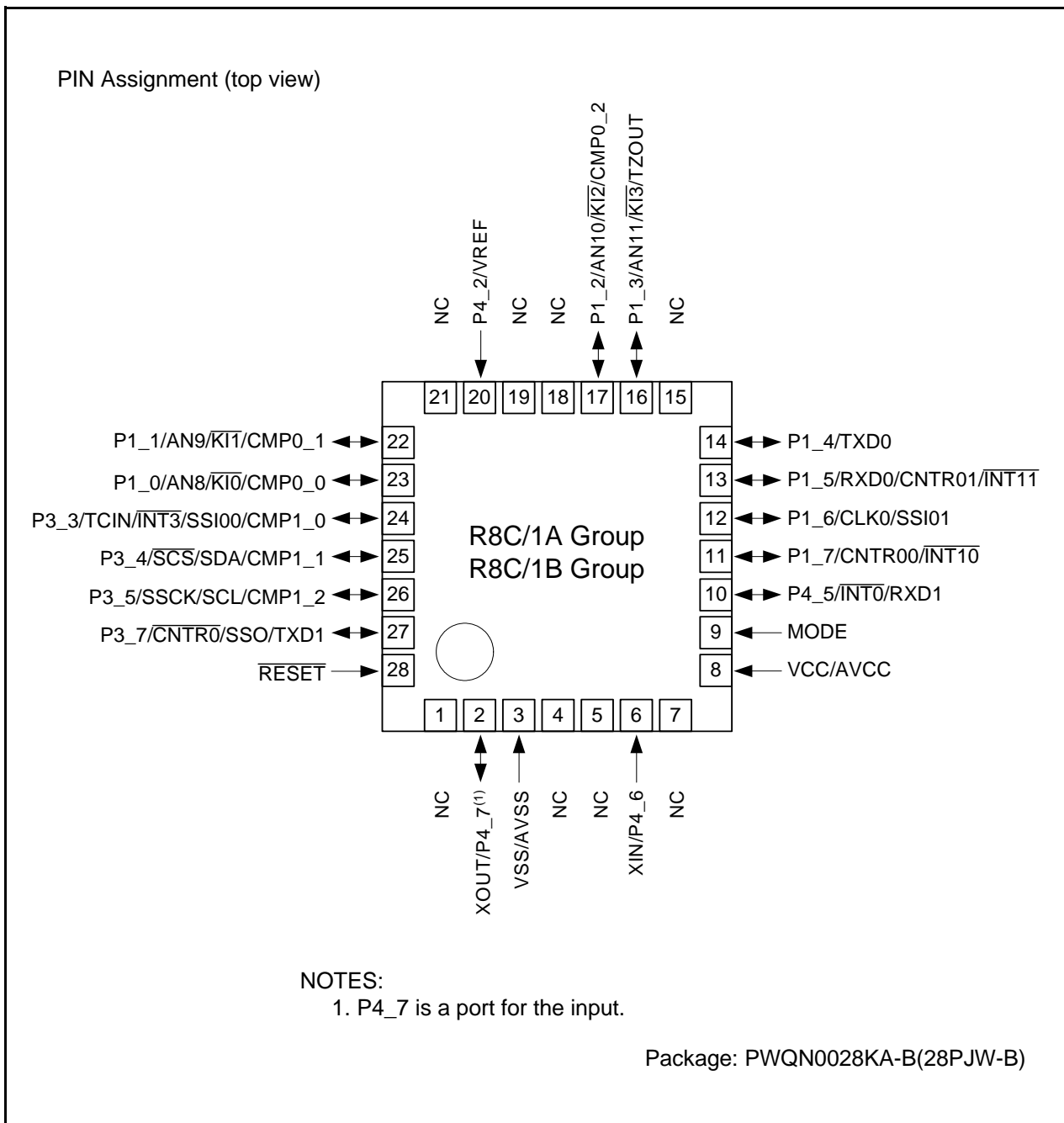


Figure 1.6 Pin Assignments for PWQN0028KA-B Package (Top View)

1.6 Pin Functions

Table 1.5 lists Pin Functions, Table 1.6 lists Pin Name Information by Pin Number of PLSP0020JB-A, PRDP0020BA-A Packages and Table 1.7 lists Pin Name Information by Pin Number of PWQN0028KA-B Package.

Table 1.5 Pin Functions

Type	Symbol	I/O Type	Description
Power Supply Input	VCC, VSS	I	Apply 2.7 V to 5.5 V to the VCC pin. Apply 0 V to the VSS pin.
Analog Power Supply Input	AVCC, AVSS	I	Power supply for the A/D converter Connect a capacitor between AVCC and AVSS.
Reset Input	RESET	I	Input "L" on this pin resets the MCU.
MODE	MODE	I	Connect this pin to VCC via a resistor.
Main Clock Input	XIN	I	These pins are provided for main clock generation circuit I/O. Connect a ceramic resonator or a crystal oscillator between the XIN and XOUT pins. To use an external clock, input it to the XIN pin and leave the XOUT pin open.
Main Clock Output	XOUT	O	
INT Interrupt	INT0, INT1, INT3	I	INT interrupt input pins
Key Input Interrupt	KI0 to KI3	I	Key input interrupt input pins
Timer X	CNTR0	I/O	Timer X I/O pin
	CNTR0	O	Timer X output pin
Timer Z	TZOUT	O	Timer Z output pin
Timer C	TCIN	I	Timer C input pin
	CMP0_0 to CMP0_2, CMP1_0 to CMP1_2	O	Timer C output pins
Serial Interface	CLK0	I/O	Transfer clock I/O pin
	RXD0, RXD1	I	Serial data input pins
	TXD0, TXD1	O	Serial data output pins
Clock synchronous serial I/O with chip select (SSU)	SSI00, SSI01	I/O	Data I/O pin.
	SCS	I/O	Chip-select signal I/O pin
	SSCK	I/O	Clock I/O pin
	SSO	I/O	Data I/O pin
I ² C bus Interface	SCL	I/O	Clock I/O pin
	SDA	I/O	Data I/O pin
Reference Voltage Input	VREF	I	Reference voltage input pin to A/D converter
A/D Converter	AN8 to AN11	I	Analog input pins to A/D converter
I/O Port	P1_0 to P1_7, P3_3 to P3_5, P3_7, P4_5	I/O	CMOS I/O ports. Each port has an I/O select direction register, allowing each pin in the port to be directed for input or output individually. Any port set to input can be set to use a pull-up resistor or not by a program. P1_0 to P1_3 also function as LED drive ports.
Input Port	P4_2, P4_6, P4_7	I	Input-only ports

I: Input O: Output I/O: Input and output

Table 1.6 Pin Name Information by Pin Number of PLSP0020JB-A, PRDP0020BA-A Packages

Pin Number	Control Pin	Port	I/O Pin Functions for Peripheral Modules					
			Interrupt	Timer	Serial Interface	Clock Synchronous Serial I/O with Chip Select	I ² C bus Interface	A/D Converter
1		P3_5		CMP1_2		SSCK	SCL	
2		P3_7		$\overline{\text{CNTR0}}$	TXD1	SSO		
3	$\overline{\text{RESET}}$							
4	XOUT	P4_7						
5	VSS/AVSS							
6	XIN	P4_6						
7	VCC/AVCC							
8	MODE							
9		P4_5	$\overline{\text{INT0}}$		RXD1			
10		P1_7	$\overline{\text{INT10}}$	CNTR00				
11		P1_6			CLK0	SSI01		
12		P1_5	$\overline{\text{INT11}}$	CNTR01	RXD0			
13		P1_4			TXD0			
14		P1_3	$\overline{\text{KI3}}$	TZOUT				AN11
15		P1_2	$\overline{\text{KI2}}$	CMP0_2				AN10
16	VREF	P4_2						
17		P1_1	$\overline{\text{KI1}}$	CMP0_1				AN9
18		P1_0	$\overline{\text{KI0}}$	CMP0_0				AN8
19		P3_3	$\overline{\text{INT3}}$	TCIN/ CMP1_0		SSI00		
20		P3_4		CMP1_1		$\overline{\text{SCS}}$	SDA	

Table 1.7 Pin Name Information by Pin Number of PWQN0028KA-B Package

Pin Number	Control Pin	Port	I/O Pin Functions for Peripheral Modules					
			Interrupt	Timer	Serial Interface	Clock Synchronous Serial I/O with Chip Select	I ² C bus Interface	A/D Converter
1	NC							
2	XOUT	P4_7						
3	VSS/AVSS							
4	NC							
5	NC							
6	XIN	P4_6						
7	NC							
8	VCC/AVCC							
9	MODE							
10		P4_5	$\overline{\text{INT0}}$		RXD1			
11		P1_7	$\overline{\text{INT10}}$	CNTR00				
12		P1_6			CLK0	SSI01		
13		P1_5	$\overline{\text{INT11}}$	CNTR01	RXD0			
14		P1_4			TXD0			
15	NC							
16		P1_3	$\overline{\text{KI3}}$	TZOUT				AN11
17		P1_2	$\overline{\text{KI2}}$	CMP0_2				AN10
18	NC							
19	NC							
20	VREF	P4_2						
21	NC							
22		P1_1	$\overline{\text{KI1}}$	CMP0_1				AN9
23		P1_0	$\overline{\text{KI0}}$	CMP0_0				AN8
24		P3_3	$\overline{\text{INT3}}$	TCIN/CMP1_0		SSI00		
25		P3_4		CMP1_1		$\overline{\text{SCS}}$	SDA	
26		P3_5		CMP1_2		SSCK	SCL	
27		P3_7		$\overline{\text{CNTR0}}$	TXD1	SSO		
28	$\overline{\text{RESET}}$							

2. Central Processing Unit (CPU)

Figure 2.1 shows the CPU Registers. The CPU contains 13 registers. R0, R1, R2, R3, A0, A1, and FB configure a register bank. There are two sets of register bank.

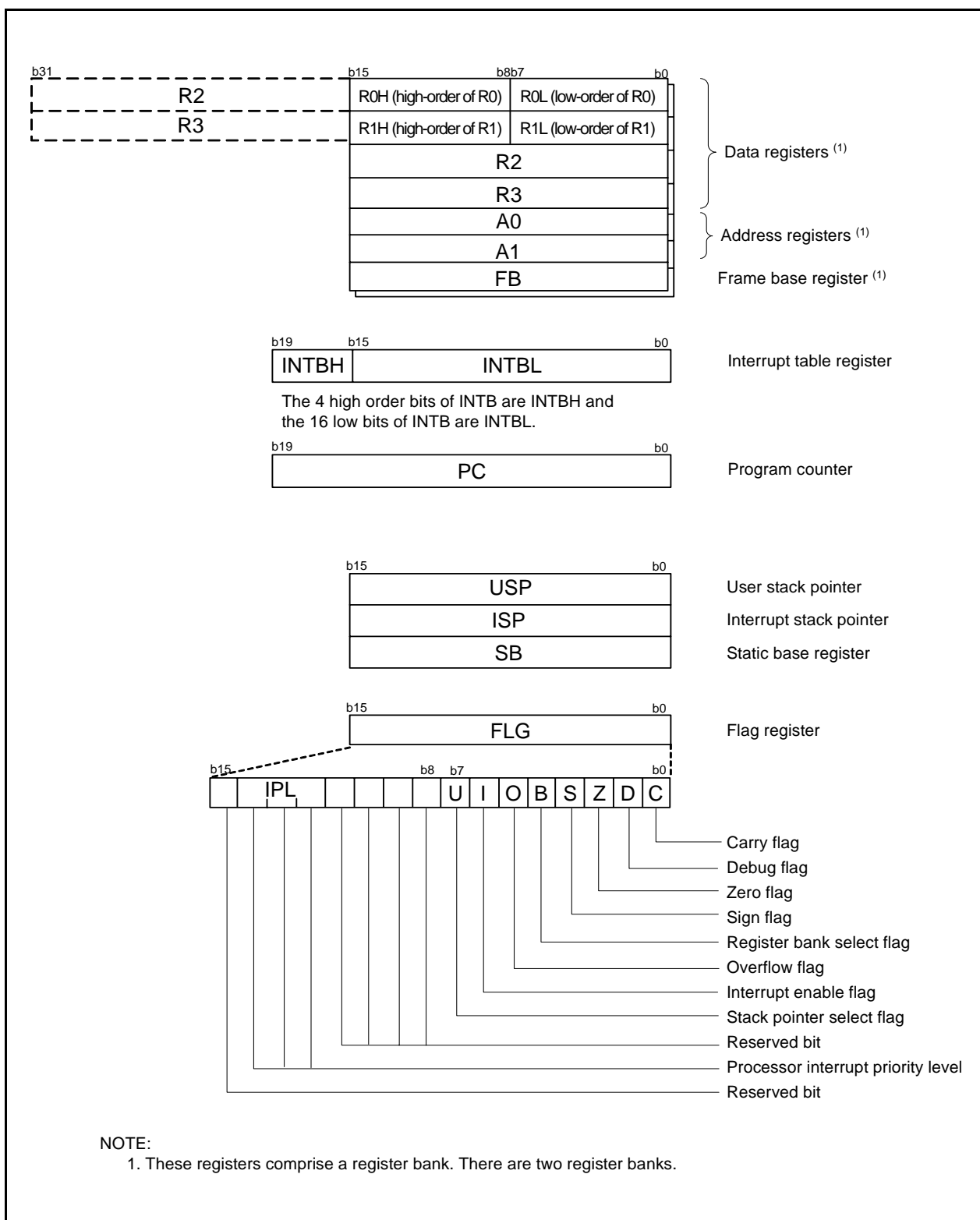


Figure 2.1 CPU Register

2.1 Data Registers (R0, R1, R2, and R3)

R0 is a 16-bit register for transfer, arithmetic, and logic operations. The same applies to R1 to R3. R0 can be split into high-order bits (R0H) and low-order bits (R0L) to be used separately as 8-bit data registers. R1H and R1L are analogous to R0H and R0L. R2 can be combined with R0 and used as a 32-bit data register (R2R0). R3R1 is analogous to R2R0.

2.2 Address Registers (A0 and A1)

A0 is a 16-bit register for address register indirect addressing and address register relative addressing. It is also used for transfer and arithmetic and logic operations. A1 is analogous to A0. A1 can be combined with A0 and used as a 32-bit address register (A1A0).

2.3 Frame Base Register (FB)

FB is a 16-bit register for FB relative addressing.

2.4 Interrupt Table Register (INTB)

INTB is a 20-bit register that indicates the start address of an interrupt vector table.

2.5 Program Counter (PC)

PC is 20 bits wide indicates the address of the next instruction to be executed.

2.6 User Stack Pointer (USP) and Interrupt Stack Pointer (ISP)

The stack pointer (SP), USP, and ISP, are each 16 bits wide. The U flag of FLG is used to switch between USP and ISP.

2.7 Static Base Register (SB)

SB is a 16-bit register for SB relative addressing.

2.8 Flag Register (FLG)

FLG is an 11-bit register indicating the CPU state.

2.8.1 Carry Flag (C)

The C flag retains a carry, borrow, or shift-out bits that have been generated by the arithmetic and logic unit.

2.8.2 Debug Flag (D)

The D flag is for debugging only. Set it to 0.

2.8.3 Zero Flag (Z)

The Z flag is set to 1 when an arithmetic operation results in 0; otherwise to 0.

2.8.4 Sign Flag (S)

The S flag is set to 1 when an arithmetic operation results in a negative value; otherwise to 0.

2.8.5 Register Bank Select Flag (B)

Register bank 0 is selected when the B flag is 0. Register bank 1 is selected when this flag is set to 1.

2.8.6 Overflow Flag (O)

The O flag is set to 1 when the operation results in an overflow; otherwise to 0.

2.8.7 Interrupt Enable Flag (I)

The I flag enables maskable interrupts.

Interrupts are disabled when the I flag is set to 0, and are enabled when the I flag is set to 1. The I flag is set to 0 when an interrupt request is acknowledged.

2.8.8 Stack Pointer Select Flag (U)

ISP is selected when the U flag is set to 0; USP is selected when the U flag is set to 1.

The U flag is set to 0 when a hardware interrupt request is acknowledged or the INT instruction of software interrupt numbers 0 to 31 is executed.

2.8.9 Processor Interrupt Priority Level (IPL)

IPL is 3 bits wide, assigns processor interrupt priority levels from level 0 to level 7.

If a requested interrupt has higher priority than IPL, the interrupt is enabled.

2.8.10 Reserved Bit

If necessary, set to 0. When read, the content is undefined.

3. Memory

3.1 R8C/1A Group

Figure 3.1 is a Memory Map of R8C/1A Group. The R8C/1A Group has 1 Mbyte of address space from addresses 00000h to FFFFFh.

The internal ROM is allocated lower addresses, beginning with address 00000h. For example, a 16-Kbyte internal ROM area is allocated addresses 0C000h to 0FFFFh.

The fixed interrupt vector table is allocated addresses 0FFDCh to 0FFFFh. They store the starting address of each interrupt routine.

The internal RAM is allocated higher addresses, beginning with address 00400h. For example, a 1-Kbyte internal RAM area is allocated addresses 00400h to 007FFh. The internal RAM is used not only for storing data but also for calling subroutines and as stacks when interrupt requests are acknowledged.

Special function registers (SFRs) are allocated addresses 00000h to 002FFh. The peripheral function control registers are allocated here. All addresses within the SFR, which have nothing allocated are reserved for future use and cannot be accessed by users.

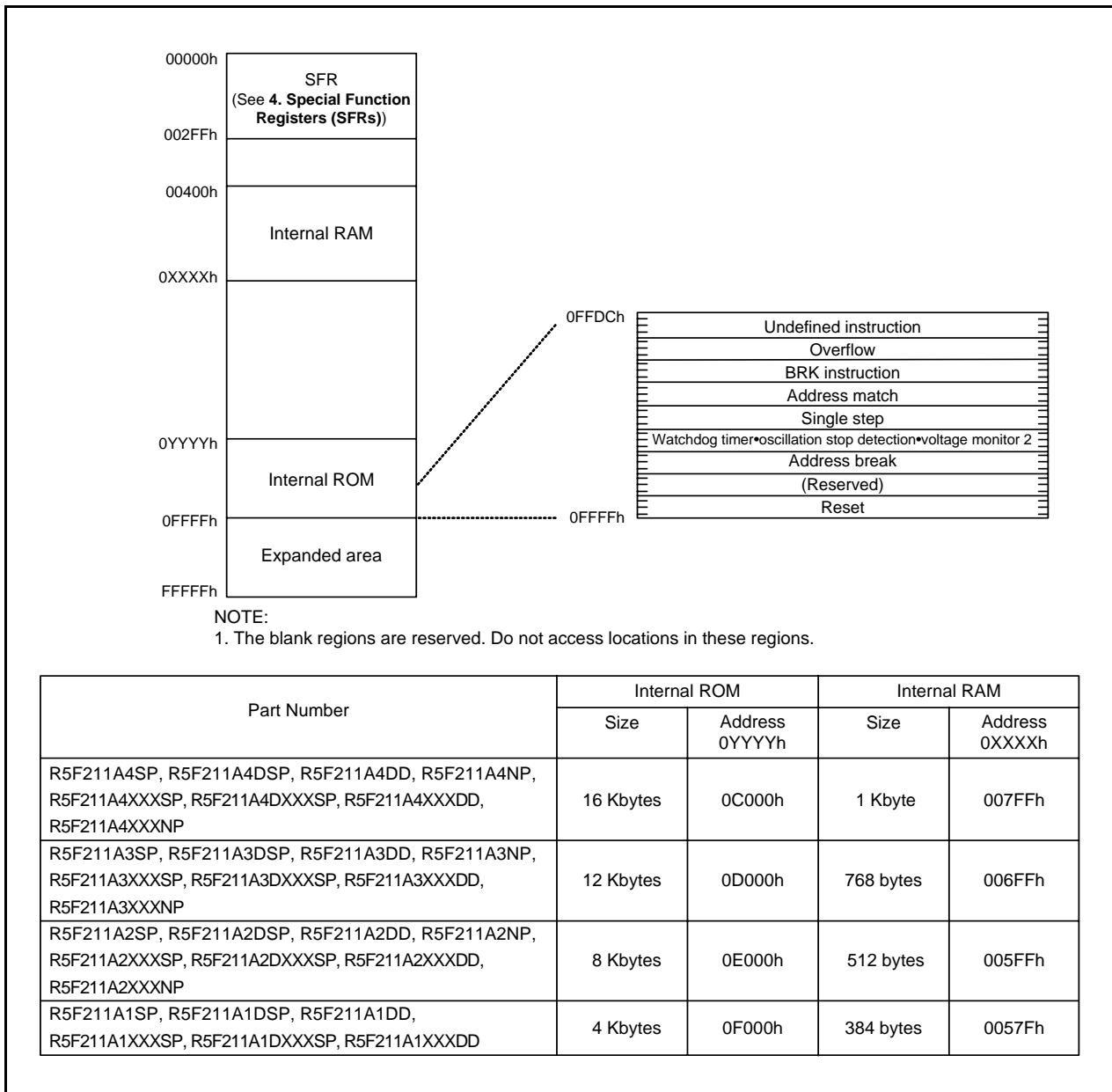


Figure 3.1 Memory Map of R8C/1A Group

3.2 R8C/1B Group

Figure 3.2 is a Memory Map of R8C/1B Group. The R8C/1B Group has 1 Mbyte of address space from addresses 00000h to FFFFFh.

The internal ROM (program ROM) is allocated lower addresses, beginning with address 0FFFFh. For example, a 16-Kbyte internal ROM area is allocated addresses 0C000h to 0FFFFh.

The fixed interrupt vector table is allocated addresses 0FFDCh to 0FFFFh. They store the starting address of each interrupt routine.

The internal ROM (data flash) is allocated addresses 02400h to 02BFFh.

The internal RAM is allocated higher addresses beginning with address 00400h. For example, a 1-Kbyte internal RAM area is allocated addresses 00400h to 007FFh. The internal RAM is used not only for storing data but also for calling subroutines and as stacks when interrupt requests are acknowledged.

Special function registers (SFRs) are allocated addresses 00000h to 002FFh. The peripheral function control registers are allocated here. All addresses within the SFR, which have nothing allocated are reserved for future use and cannot be accessed by users.

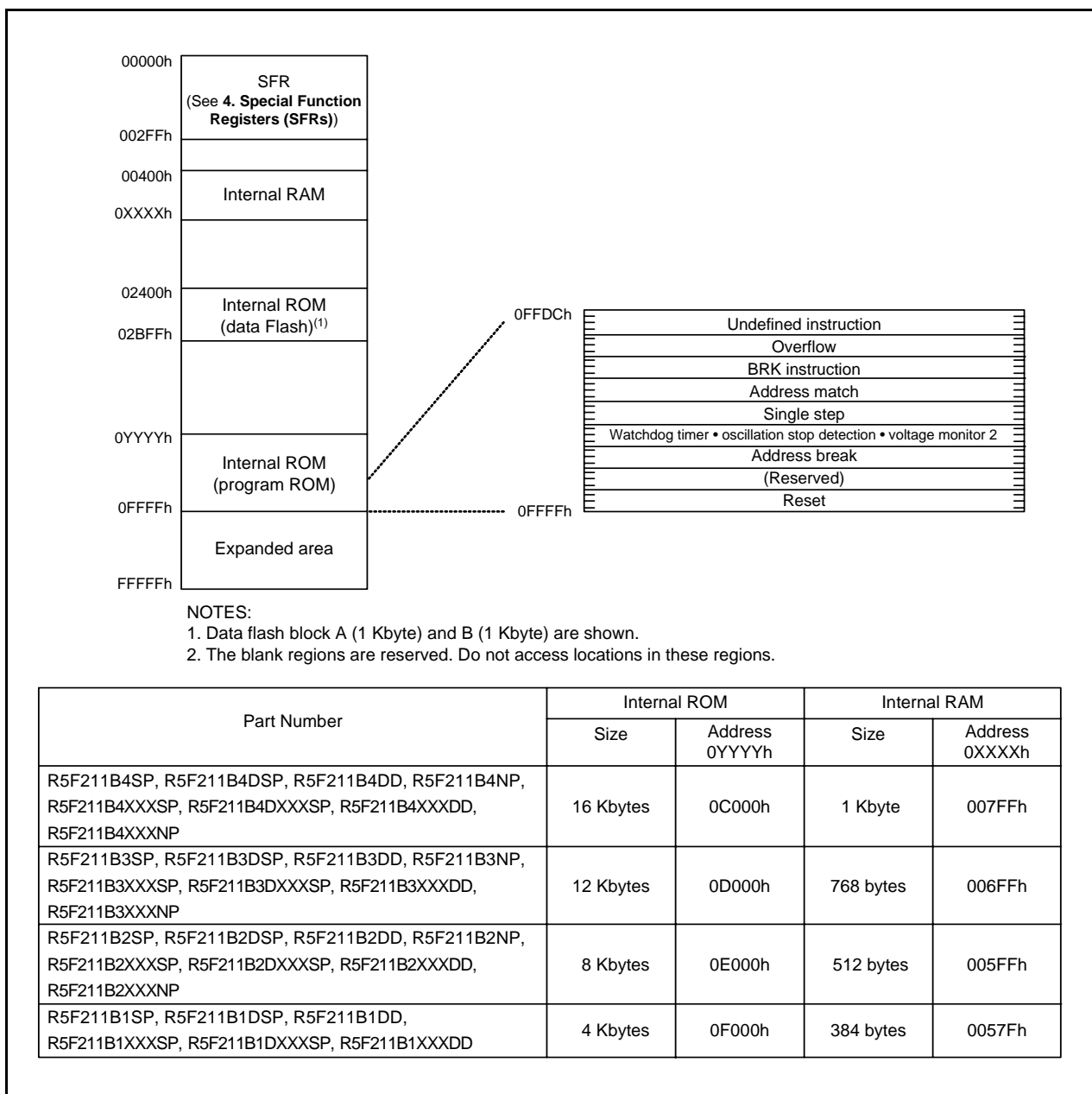


Figure 3.2 Memory Map of R8C/1B Group

4. Special Function Registers (SFRs)

An SFR (special function register) is a control register for a peripheral function. Tables 4.1 to 4.4 list the special function registers.

Table 4.1 SFR Information (1)(1)

Address	Register	Symbol	After reset
0000h			
0001h			
0002h			
0003h			
0004h	Processor Mode Register 0	PM0	00h
0005h	Processor Mode Register 1	PM1	00h
0006h	System Clock Control Register 0	CM0	01101000b
0007h	System Clock Control Register 1	CM1	00100000b
0008h			
0009h	Address Match Interrupt Enable Register	AIER	00h
000Ah	Protect Register	PRCR	00h
000Bh			
000Ch	Oscillation Stop Detection Register	OCD	00000100b
000Dh	Watchdog Timer Reset Register	WDTR	XXh
000Eh	Watchdog Timer Start Register	WDTS	XXh
000Fh	Watchdog Timer Control Register	WDC	00X11111b
0010h	Address Match Interrupt Register 0	RMAD0	00h
0011h			00h
0012h			X0h
0013h			
0014h	Address Match Interrupt Register 1	RMAD1	00h
0015h			00h
0016h			X0h
0017h			
0018h			
0019h			
001Ah			
001Bh			
001Ch	Count Source Protection Mode Register	CSPR	00h
001Dh			
001Eh	INT0 Input Filter Select Register	INT0F	00h
001Fh			
0020h	High-Speed On-Chip Oscillator Control Register 0	HRA0	00h
0021h	High-Speed On-Chip Oscillator Control Register 1	HRA1	When shipping
0022h	High-Speed On-Chip Oscillator Control Register 2	HRA2	00h
0023h			
0024h			
0025h			
0026h			
0027h			
0028h			
0029h			
002Ah			
002Bh			
002Ch			
002Dh			
002Eh			
002Fh			
0030h			
0031h	Voltage Detection Register 1 ⁽²⁾	VCA1	00001000b
0032h	Voltage Detection Register 2 ⁽²⁾	VCA2	00h ⁽³⁾ 01000000b ⁽⁴⁾
0033h			
0034h			
0035h			
0036h	Voltage Monitor 1 Circuit Control Register ⁽²⁾	VW1C	0000X000b ⁽³⁾ 0100X001b ⁽⁴⁾
0037h	Voltage Monitor 2 Circuit Control Register ⁽⁵⁾	VW2C	00h
0038h			
0039h			
003Ah			
003Bh			
003Ch			
003Dh			
003Eh			
003Fh			

X: Undefined

NOTES:

1. The blank regions are reserved. Do not access locations in these regions.
2. Software reset, watchdog timer reset, and voltage monitor 2 reset do not affect this register.
3. After hardware reset.
4. After power-on reset or voltage monitor 1 reset.
5. Software reset, watchdog timer reset, and voltage monitor 2 reset do not affect b2 and b3.

Table 4.2 SFR Information (2)⁽¹⁾

Address	Register	Symbol	After reset
0040h			
0041h			
0042h			
0043h			
0044h			
0045h			
0046h			
0047h			
0048h			
0049h			
004Ah			
004Bh			
004Ch			
004Dh	Key Input Interrupt Control Register	KUPIC	XXXXX000b
004Eh	A/D Conversion Interrupt Control Register	ADIC	XXXXX000b
004Fh	SSU/IIC Interrupt Control Register ⁽²⁾	SSUAIC/IIC2AIC	XXXXX000b
0050h	Compare 1 Interrupt Control Register	CMP1IC	XXXXX000b
0051h	UART0 Transmit Interrupt Control Register	S0TIC	XXXXX000b
0052h	UART0 Receive Interrupt Control Register	S0RIC	XXXXX000b
0053h	UART1 Transmit Interrupt Control Register	S1TIC	XXXXX000b
0054h	UART1 Receive Interrupt Control Register	S1RIC	XXXXX000b
0055h			
0056h	Timer X Interrupt Control Register	TXIC	XXXXX000b
0057h			
0058h	Timer Z Interrupt Control Register	TZIC	XXXXX000b
0059h	INT1 Interrupt Control Register	INT1IC	XXXXX000b
005Ah	INT3 Interrupt Control Register	INT3IC	XXXXX000b
005Bh	Timer C Interrupt Control Register	TCIC	XXXXX000b
005Ch	Compare 0 Interrupt Control Register	CMP0IC	XXXXX000b
005Dh	INT0 Interrupt Control Register	INT0IC	XX00X000b
005Eh			
005Fh			
0060h			
0061h			
0062h			
0063h			
0064h			
0065h			
0066h			
0067h			
0068h			
0069h			
006Ah			
006Bh			
006Ch			
006Dh			
006Eh			
006Fh			
0070h			
0071h			
0072h			
0073h			
0074h			
0075h			
0076h			
0077h			
0078h			
0079h			
007Ah			
007Bh			
007Ch			
007Dh			
007Eh			
007Fh			

X: Undefined

NOTES:

1. The blank regions are reserved. Do not access locations in these regions.
2. Selected by the IICSEL bit in the PMR register.

Table 4.3 SFR Information (3)(1)

Address	Register	Symbol	After reset
0080h	Timer Z Mode Register	TZMR	00h
0081h			
0082h			
0083h			
0084h	Timer Z Waveform Output Control Register	PUM	00h
0085h	Prescaler Z Register	PREZ	FFh
0086h	Timer Z Secondary Register	TZSC	FFh
0087h	Timer Z Primary Register	TZPR	FFh
0088h			
0089h			
008Ah	Timer Z Output Control Register	TZOC	00h
008Bh	Timer X Mode Register	TXMR	00h
008Ch	Prescaler X Register	PREX	FFh
008Dh	Timer X Register	TX	FFh
008Eh	Timer Count Source Setting Register	TCSS	00h
008Fh			
0090h	Timer C Register	TC	00h
0091h			00h
0092h			
0093h			
0094h			
0095h			
0096h	External Input Enable Register	INTEN	00h
0097h			
0098h	Key Input Enable Register	KIEN	00h
0099h			
009Ah	Timer C Control Register 0	TCC0	00h
009Bh	Timer C Control Register 1	TCC1	00h
009Ch	Capture, Compare 0 Register	TM0	0000h ⁽²⁾
009Dh			FFFFh ⁽³⁾
009Eh	Compare 1 Register	TM1	FFh
009Fh			FFh
00A0h	UART0 Transmit/Receive Mode Register	U0MR	00h
00A1h	UART0 Bit Rate Generator	U0BRG	XXh
00A2h	UART0 Transmit Buffer Register	U0TB	XXh
00A3h			XXh
00A4h	UART0 Transmit/Receive Control Register 0	U0C0	00001000b
00A5h	UART0 Transmit/Receive Control Register 1	U0C1	00000010b
00A6h	UART0 Receive Buffer Register	U0RB	XXh
00A7h			XXh
00A8h	UART1 Transmit/Receive Mode Register	U1MR	00h
00A9h	UART1 Bit Rate Generator	U1BRG	XXh
00AAh	UART1 Transmit Buffer Register	U1TB	XXh
00ABh			XXh
00ACh	UART1 Transmit/Receive Control Register 0	U1C0	00001000b
00ADh	UART1 Transmit/Receive Control Register 1	U1C1	00000010b
00AEh	UART1 Receive Buffer Register	U1RB	XXh
00AFh			XXh
00B0h	UART Transmit/Receive Control Register 2	UCON	00h
00B1h			
00B2h			
00B3h			
00B4h			
00B5h			
00B6h			
00B7h			
00B8h	SS Control Register H / IIC bus Control Register 1 ⁽⁴⁾	SSCRH / ICCR1	00h
00B9h	SS Control Register L / IIC bus Control Register 2 ⁽⁴⁾	SSCRL / ICCR2	01111101b
00BAh	SS Mode Register / IIC bus Mode Register ⁽⁴⁾	SSMR / ICMR	00011000b
00BBh	SS Enable Register / IIC bus Interrupt Enable Register ⁽⁴⁾	SSER / ICIER	00h
00BCh	SS Status Register / IIC bus Status Register ⁽⁴⁾	SSSR / ICSR	00h / 0000X000b
00BDh	SS Mode Register 2 / Slave Address Register ⁽⁴⁾	SSMR2 / SAR	00h
00BEh	SS Transmit Data Register / IIC bus Transmit Data Register ⁽⁴⁾	SSTDR / ICRT	FFh
00BFh	SS Receive Data Register / IIC bus Receive Data Register ⁽⁴⁾	SSRDR / ICDRR	FFh

X: Undefined

NOTES:

1. The blank regions are reserved. Do not access locations in these regions.
2. In input capture mode.
3. In output compare mode.
4. Selected by the IICSEL bit in the PMR register.

Table 4.4 SFR Information (4)(1)

Address	Register	Symbol	After reset
00C0h	A/D Register	AD	XXh
00C1h			XXh
00C2h			
00C3h			
00C4h			
00C5h			
00C6h			
00C7h			
00C8h			
00C9h			
00CAh			
00CBh			
00CCh			
00CDh			
00CEh			
00CFh			
00D0h			
00D1h			
00D2h			
00D3h			
00D4h	A/D Control Register 2	ADCON2	00h
00D5h			
00D6h	A/D Control Register 0	ADCON0	00000XXb
00D7h	A/D Control Register 1	ADCON1	00h
00D8h			
00D9h			
00DAh			
00DBh			
00DCh			
00DDh			
00DEh			
00DFh			
00E0h			
00E1h	Port P1 Register	P1	XXh
00E2h			
00E3h	Port P1 Direction Register	PD1	00h
00E4h			
00E5h	Port P3 Register	P3	XXh
00E6h			
00E7h	Port P3 Direction Register	PD3	00h
00E8h	Port P4 Register	P4	XXh
00E9h			
00EAh	Port P4 Direction Register	PD4	00h
00EBh			
00ECh			
00EDh			
00EEh			
00EFh			
00F0h			
00F1h			
00F2h			
00F3h			
00F4h			
00F5h			
00F6h			
00F7h			
00F8h	Port Mode Register	PMR	00h
00F9h			
00FAh			
00FBh			
00FCh	Pull-Up Control Register 0	PUR0	00XX0000b
00FDh	Pull-Up Control Register 1	PUR1	XXXXXX0Xb
00FEh	Port P1 Drive Capacity Control Register	DRR	00h
00FFh	Timer C Output Control Register	TCOUT	00h
01B3h	Flash Memory Control Register 4	FMR4	01000000b
01B4h			
01B5h	Flash Memory Control Register 1	FMR1	1000000Xb
01B6h			
01B7h	Flash Memory Control Register 0	FMR0	00000001b
0FFFh	Optional Function Select Register	OFS	(2)

X: Undefined

NOTES:

- Blank regions, 0100h to 01B2h and 01B8h to 02FFh are all reserved. Do not access locations in these regions.
- The OFS register cannot be changed by a user program. Use a flash programmer to write to it.

5. Programmable I/O Ports

There are 13 programmable Input/Output ports (I/O ports) P1, P3_3 to P3_5, P3_7, and P4_5. P4_2 can be used as an input-only port. Also, P4_6 and P4_7 can be used as input-only ports if the main clock oscillation circuit is not used. Table 5.1 lists an Overview of Programmable I/O Ports.

Table 5.1 Overview of Programmable I/O Ports

Ports	I/O	Type of Output	I/O Setting	Internal Pull-Up Resistor	Drive Capacity Selection
P1	I/O	CMOS3 state	Set per bit	Set every 4 bits ⁽¹⁾	Set every bit ⁽²⁾ of P1_0 to P1_3
P3_3, P4_5	I/O	CMOS3 state	Set per bit	Set every bit ⁽¹⁾	None
P3_4, P3_5, P3_7	I/O	CMOS3 state	Set per bit	Set every 3 bits ⁽¹⁾	None
P4_2, P4_6, P4_7 ⁽³⁾	I	(No output function)	None	None	None

NOTES:

1. In input mode, whether an internal pull-up resistor is connected or not can be selected by registers PUR0 and PUR1.
2. These ports can be used as the LED drive port by setting the DRR register to 1 (high).
3. When the main clock oscillation circuit is not used, P4_6 and P4_7 can be used as input-only ports.

5.1 Functions of Programmable I/O Ports

The PDi_j (j=0 to 7) bit in the PDi (i=1, 3, and 4) register controls I/O of ports P1, P3_3 to P3_5, P3_7, and P4_5. The Pi register consists of a port latch to hold output data and a circuit to read pin states. Figures 5.1 to 5.3 show the Configurations of Programmable I/O Ports.

Table 5.2 lists the Functions of Programmable I/O Ports. Also, Figure 5.5 shows Registers PD1, PD3, and PD4. Figure 5.6 shows Registers P1 and P3, Figure 5.9 shows Registers PUR0 and PUR1 and Figure 5.10 shows the DRR Register.

Table 5.2 Functions of Programmable I/O Ports

Operation when Accessing Pi Register	Value of PDi_j Bit in PDi Register ⁽¹⁾	
	When PDi_j Bit is Set to 0 (Input Mode)	When PDi_j Bit is Set to 1 (Output Mode)
Reading	Read pin input level	Read the port latch
Writing	Write to the port latch	Write to the port latch. The value written to the port latch is output from the pin.

NOTE:

1. Nothing is assigned to bits PD3_0 to PD3_2, PD3_6, PD4_0 to PD4_4, PD4_6, and PD4_7.

5.2 Effect on Peripheral Functions

Programmable I/O ports function as I/O ports for peripheral functions (Refer to **Table 1.6 Pin Name Information by Pin Number of PLSP0020JB-A, PRDP0020BA-A Packages**). Table 5.3 lists the Settings of PDi_j Bit when Functioning as I/O Ports for Peripheral Functions. Refer to the description of each function for information on how to set peripheral functions.

Table 5.3 Settings of PDi_j Bit when Functioning as I/O Ports for Peripheral Functions

I/O of Peripheral Functions	PDi_j Bit Settings for Shared Pin Functions
Input	Set this bit to 0 (input mode).
Output	This bit can be set to either 0 or 1 (output regardless of the port setting).

5.3 Pins Other than Programmable I/O Ports

Figure 5.4 shows the Configuration of I/O Pins.

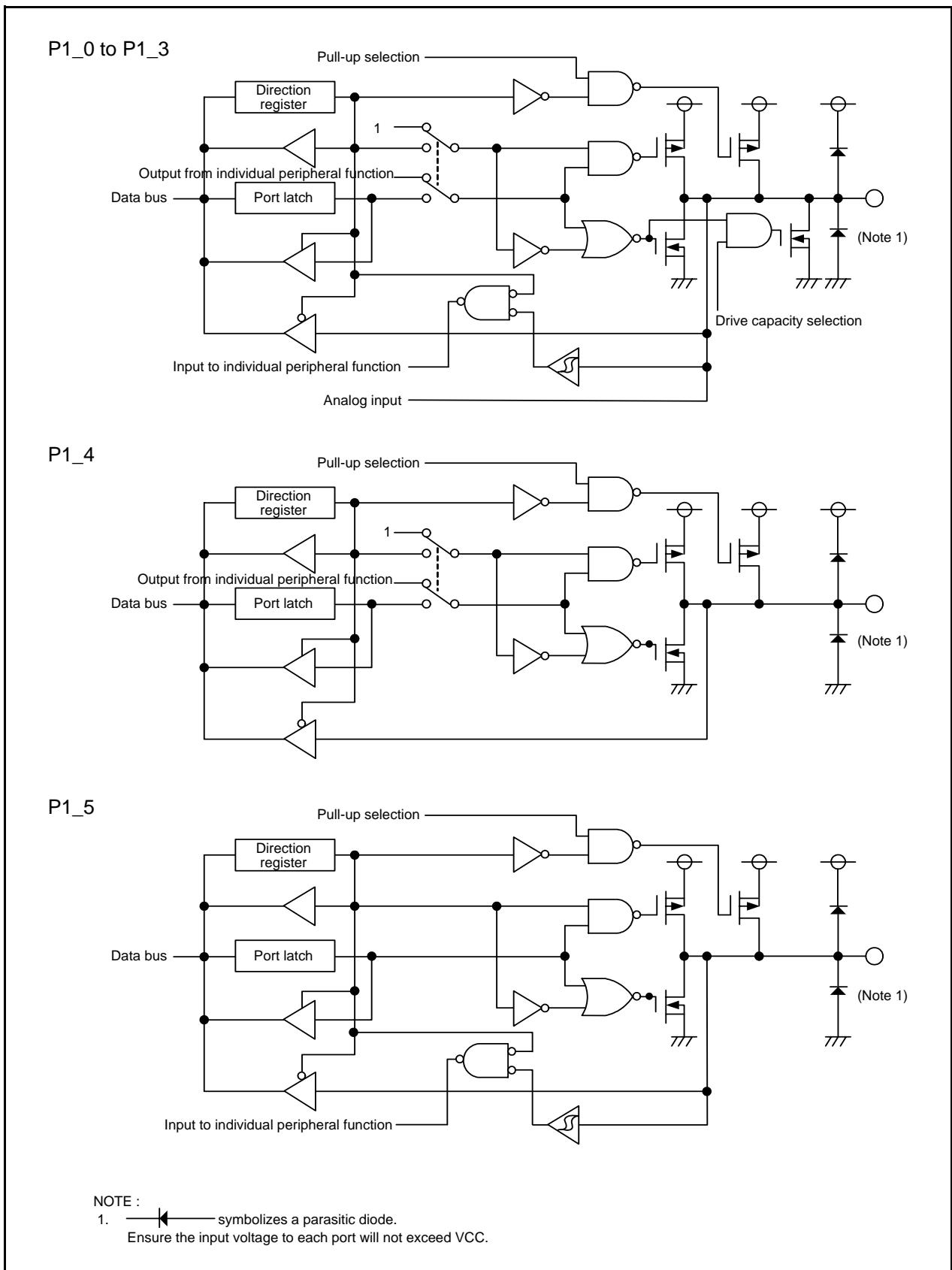


Figure 5.1 Configuration of Programmable I/O Ports (1)

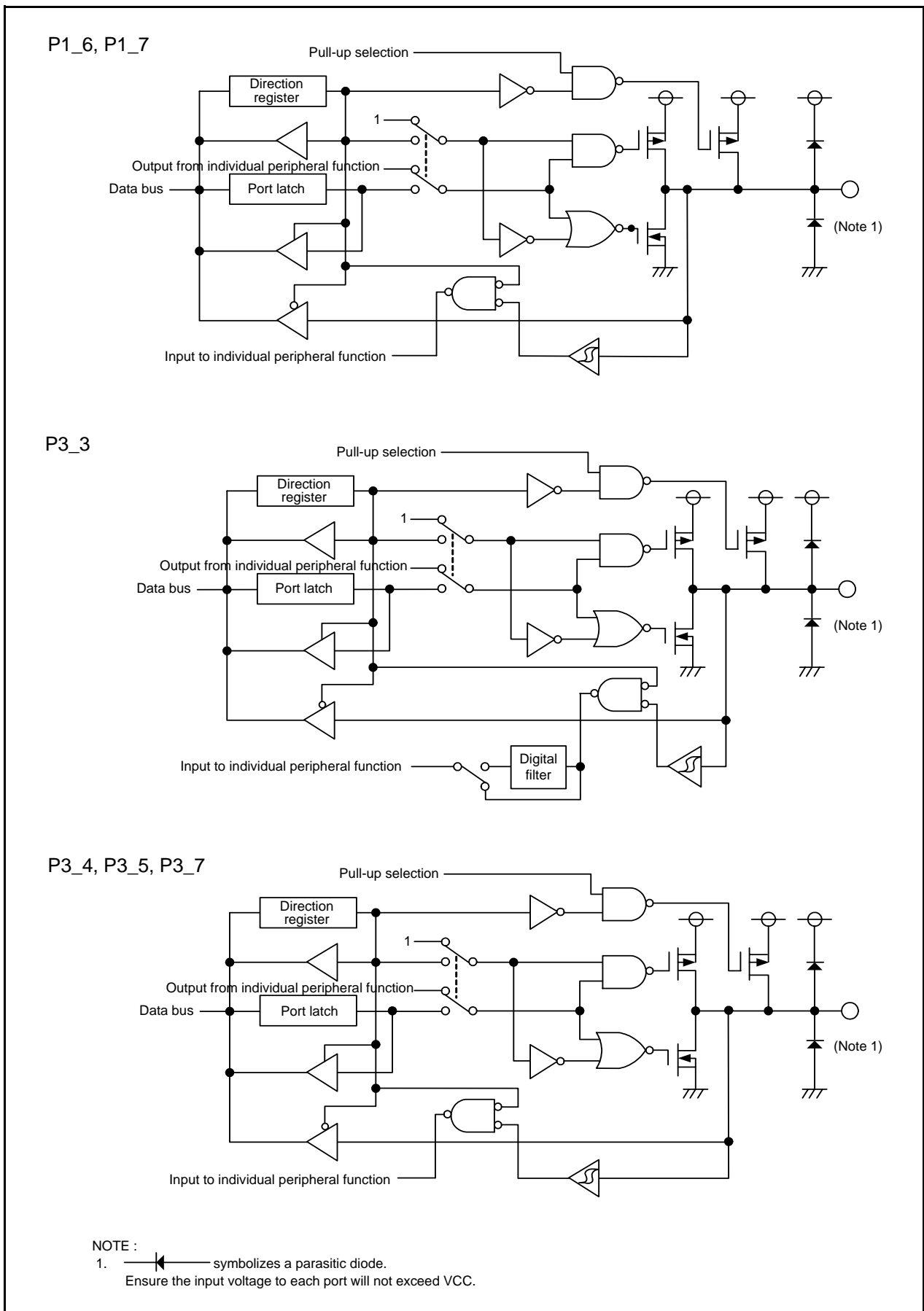


Figure 5.2 Configuration of Programmable I/O Ports (2)

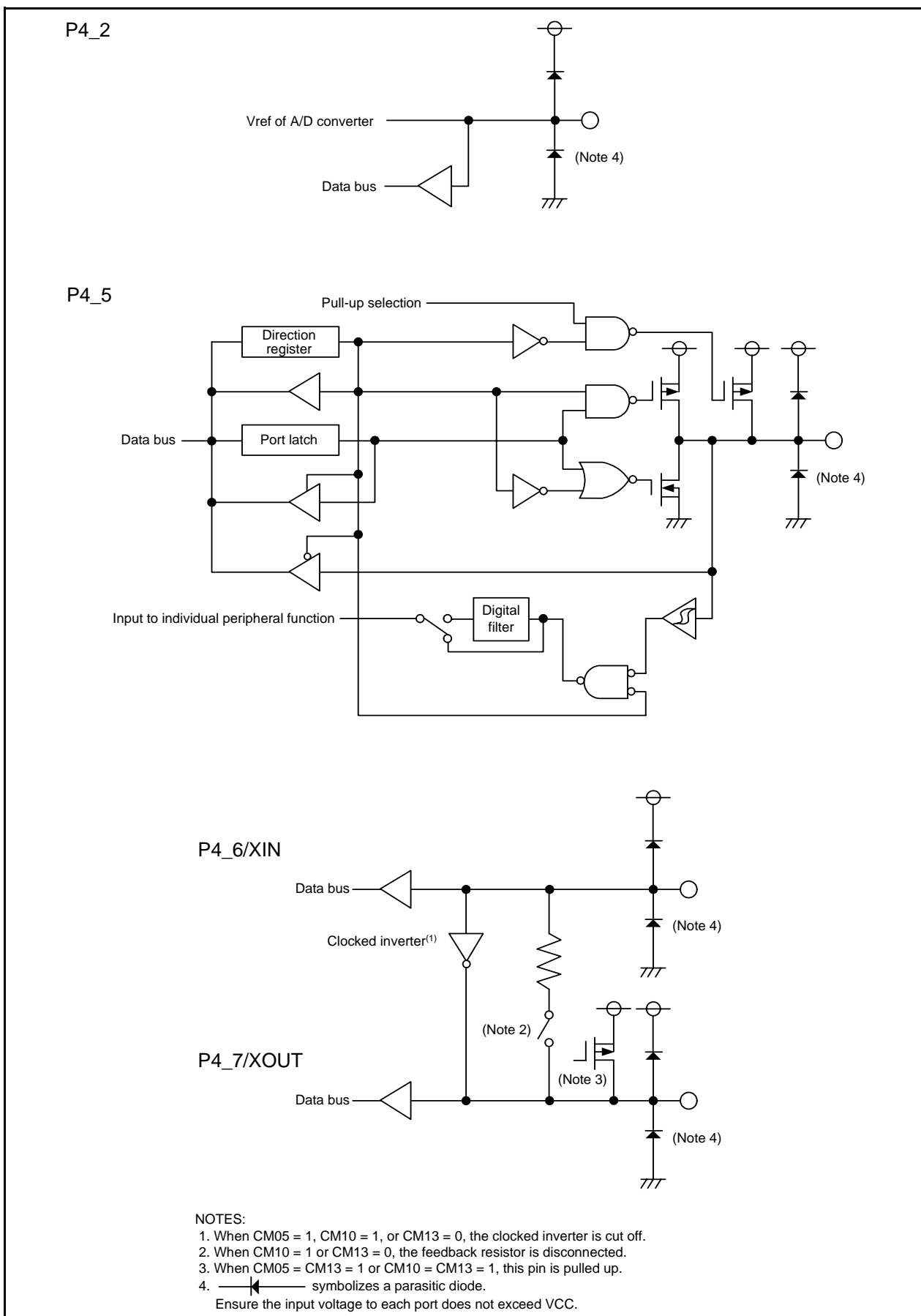


Figure 5.3 Configuration of Programmable I/O Ports (3)

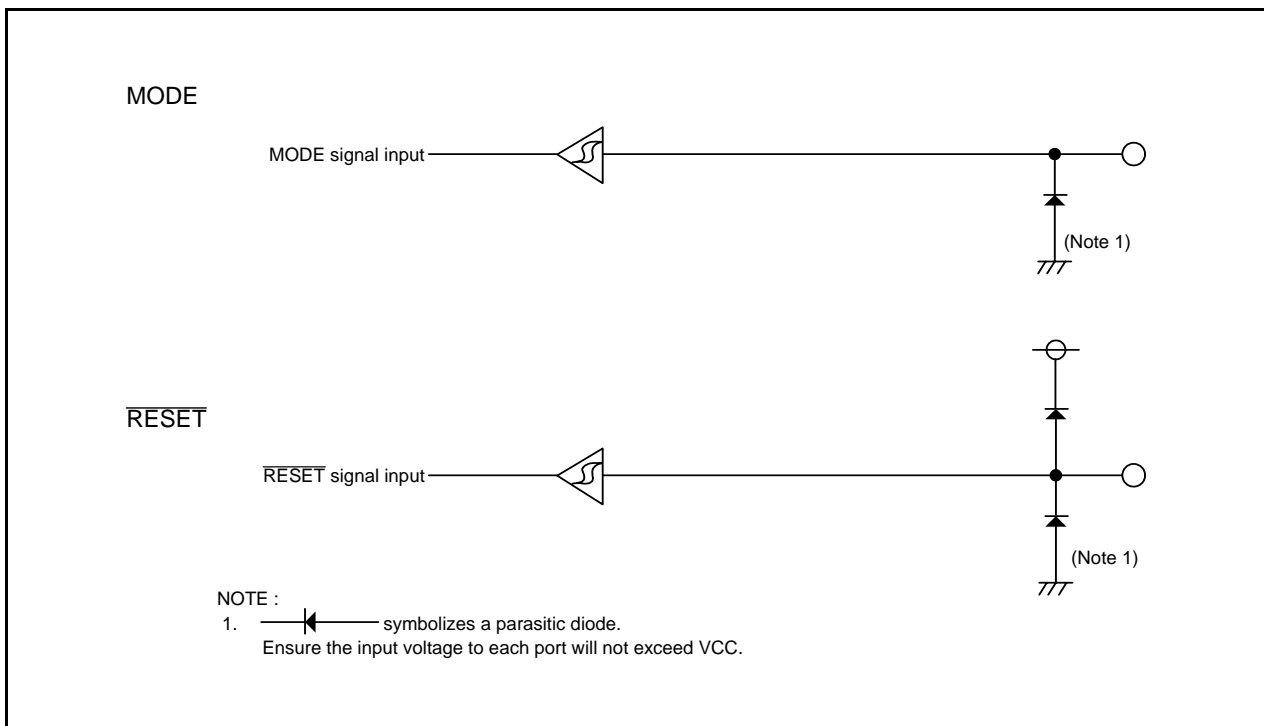


Figure 5.4 Configuration of I/O Pins

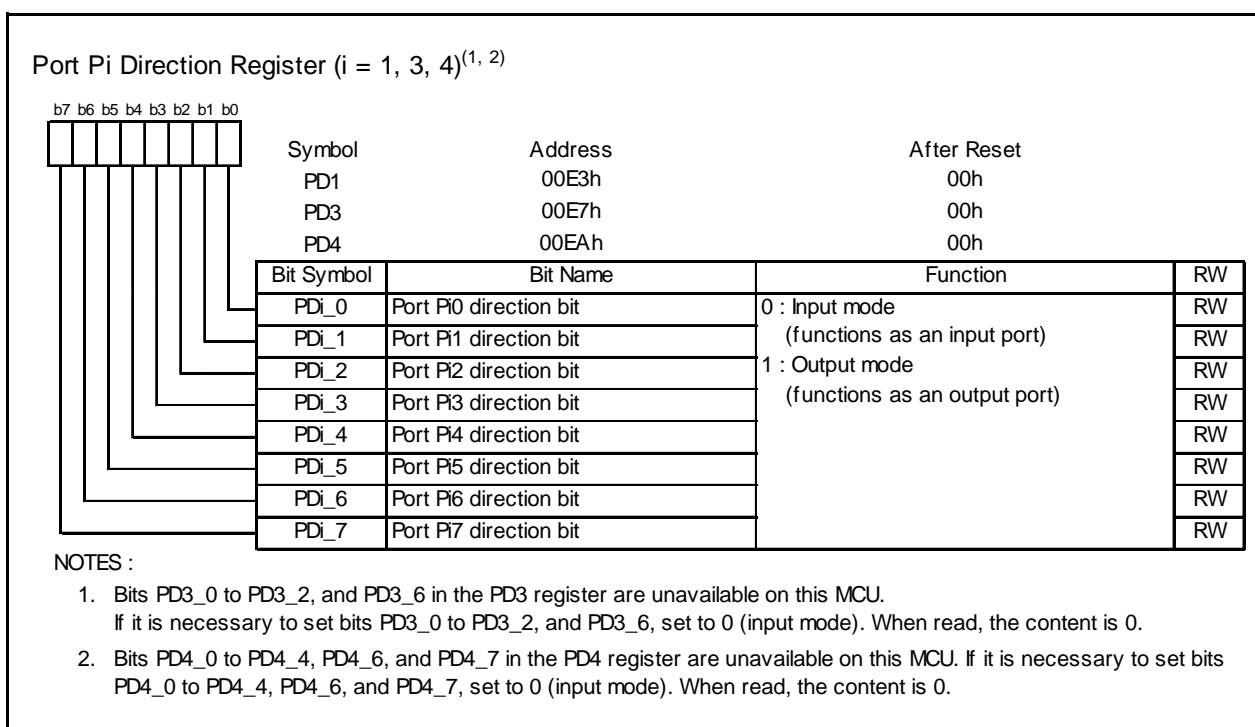


Figure 5.5 Registers PD1, PD3, and PD4

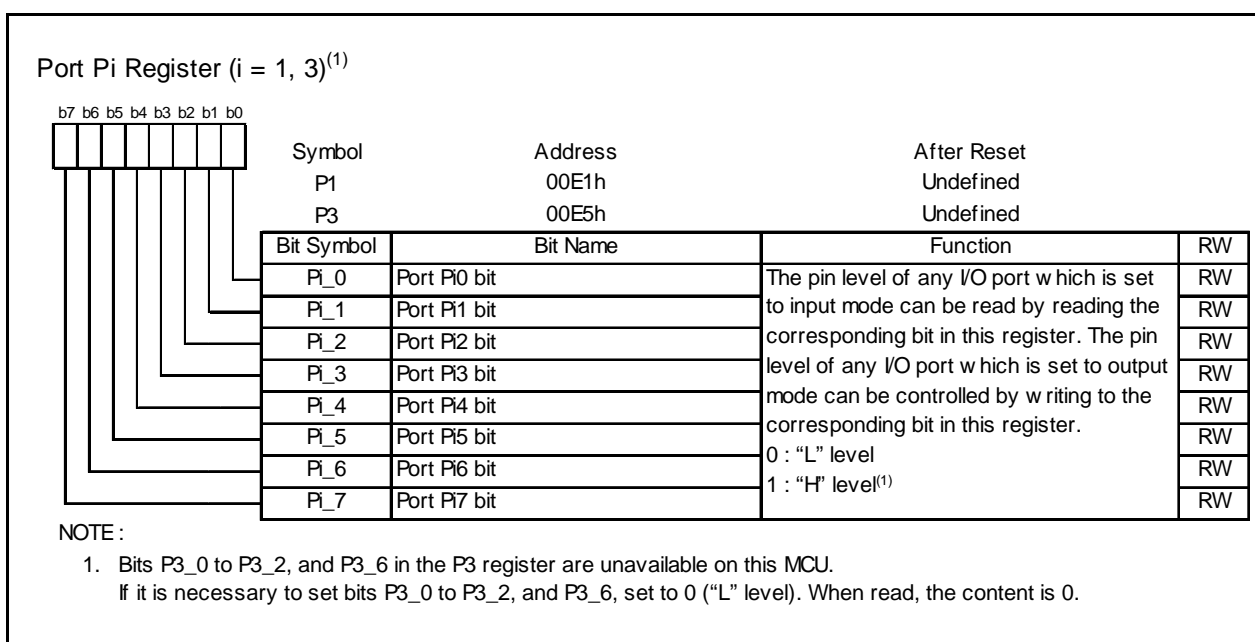


Figure 5.6 Registers P1 and P3

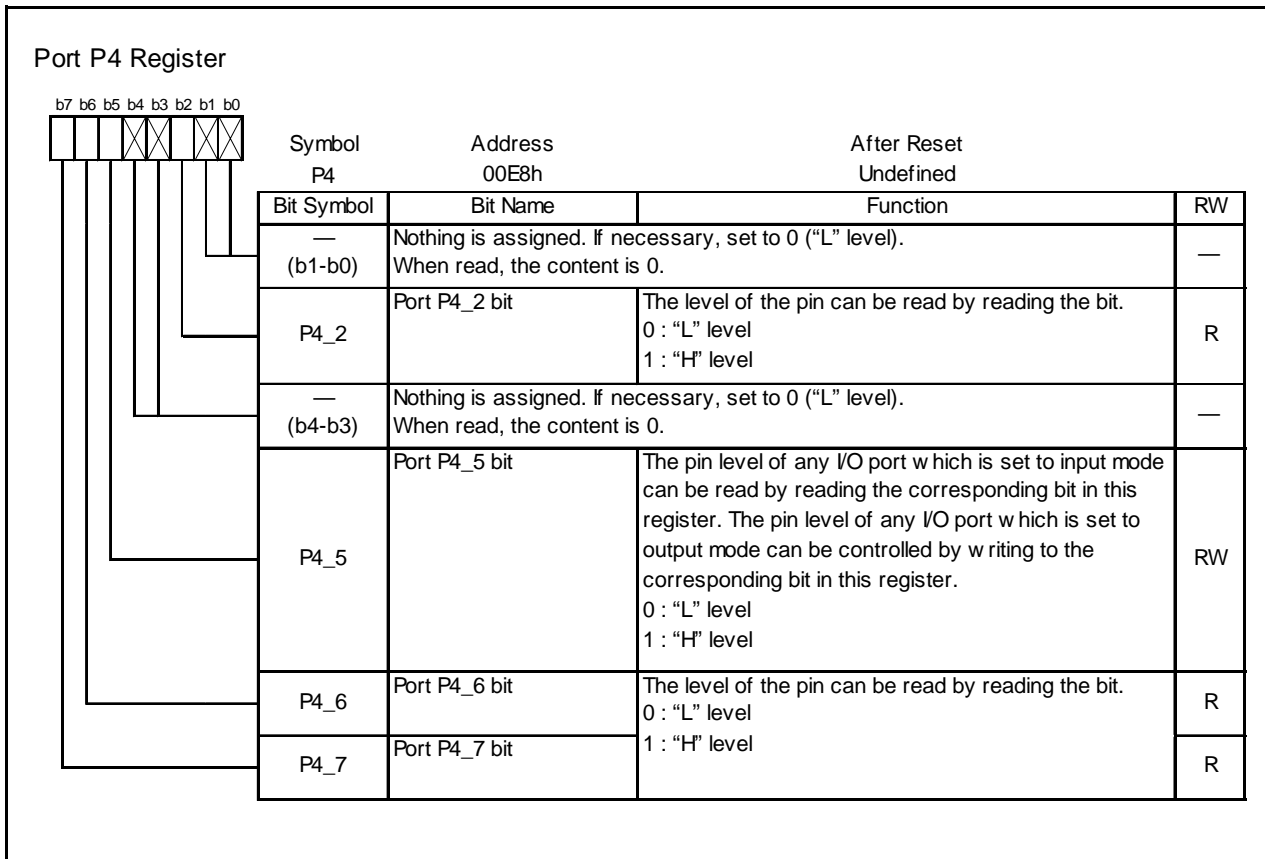


Figure 5.7 P4 Register

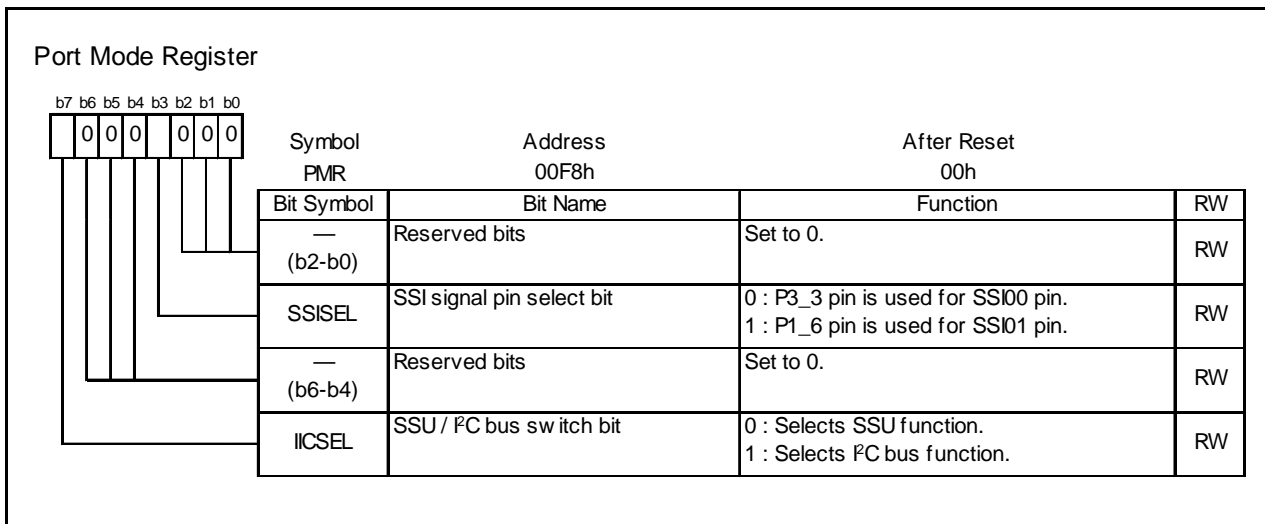


Figure 5.8 PMR Register

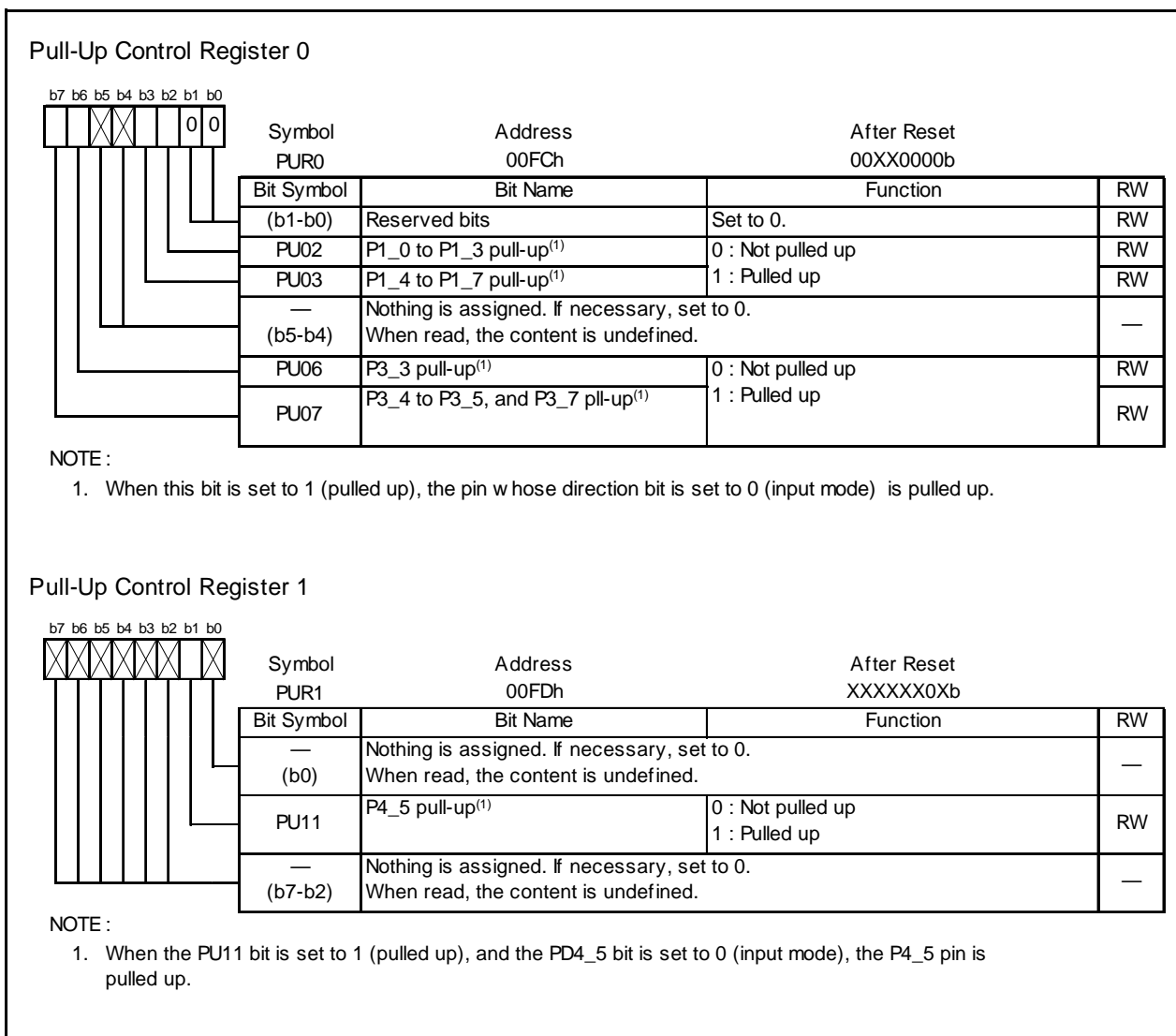


Figure 5.9 Registers PUR0 and PUR1

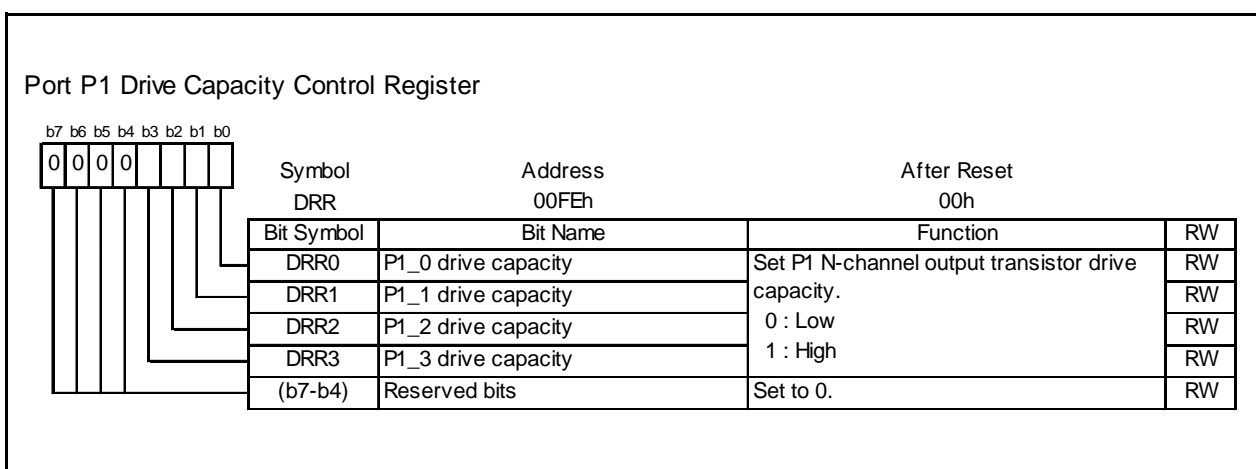


Figure 5.10 DRR Register

5.4 Port Settings

Tables 5.4 to 5.17 list the port settings.

Table 5.4 Port P1_0/ $\overline{\text{KI0}}$ /AN8/CMP0_0

Register	PD1	PUR0	DRR	KIEN	ADCON0	TCOUT	P1	Function
Bit	PD1_0	PU02	DRR0	KI0EN	CH2, CH1, CH0, ADGSEL0	TCOUT0	P1_0	
Setting Value	0	0	X	X	XXXXb	0	X	Input port (not pulled up)
	0	1	X	X	XXXXb	0	X	Input port (pulled up)
	0	0	X	1	XXXXb	0	X	$\overline{\text{KI0}}$ input
	0	0	X	X	1001b	0	X	A/D Converter input (AN8)
	1	X	0	X	XXXXb	0	X	Output port
	1	X	1	X	XXXXb	0	X	Output port (High drive)
	X	X	0	X	XXXXb	1	0	Output port
	X	X	1	X	XXXXb	1	0	Output port (High drive)
X	X	X	X	XXXXb	1	1	CMP0_0 output	

X: 0 or 1

Table 5.5 Port P1_1/ $\overline{\text{KI1}}$ /AN9/CMP0_1

Register	PD1	PUR0	DRR	KIEN	ADCON0	TCOUT	P1	Function
Bit	PD1_1	PU02	DRR1	KI1EN	CH2, CH1, CH0, ADGSEL0	TCOUT1	P1_1	
Setting Value	0	0	X	X	XXXXb	0	X	Input port (not pulled up)
	0	1	X	X	XXXXb	0	X	Input port (pulled up)
	0	0	X	1	XXXXb	0	X	$\overline{\text{KI1}}$ input
	0	0	X	X	1011b	0	X	A/D converter input (AN9)
	1	X	0	X	XXXXb	0	X	Output port
	1	X	1	X	XXXXb	0	X	Output port (high drive)
	X	X	0	X	XXXXb	1	0	Output port
	X	X	1	X	XXXXb	1	0	Output port (high drive)
X	X	X	X	XXXXb	1	1	CMP0_1 output	

X: 0 or 1

Table 5.6 Port P1_2/ $\overline{\text{KI2}}$ /AN10/CMP0_2

Register	PD1	PUR0	DRR	KIEN	ADCON0	TCOUT	P1	Function
Bit	PD1_2	PU02	DRR2	KI2EN	CH2, CH1, CH0, ADGSEL0	TCOUT2	P1_2	
Setting Value	0	0	X	X	XXXXb	0	X	Input port (not pulled up)
	0	1	X	X	XXXXb	0	X	Input port (pulled up)
	0	0	X	1	XXXXb	0	X	$\overline{\text{KI2}}$ input
	0	0	X	X	1101b	0	X	A/D converter input (AN10)
	1	X	0	X	XXXXb	0	X	Output port
	1	X	1	X	XXXXb	0	X	Output port (high drive)
	X	X	0	X	XXXXb	1	0	Output port
	X	X	1	X	XXXXb	1	0	Output port (high drive)
X	X	X	X	XXXXb	1	1	CMP0_2 input	

X: 0 or 1

Table 5.7 Port P1_3/KI3/AN11/TZOUT

Register	PD1	PUR0	DRR	KIEN	ADCON0	TZMR	TZOC	Function
Bit	PD1_3	PU02	DRR3	KI3EN	CH2, CH1, CH0, ADGSEL0	TZMOD1, TZMOD0	TZOCNT	
Setting Value	0	0	X	X	XXXXb	00b	X	Input port (not pulled up)
	0	1	X	X	XXXXb	00b	X	Input port (pulled up)
	0	0	X	1	XXXXb	00b	X	KI3 input
	0	0	X	X	1111b	00b	X	A/D converter input (AN11)
	1	X	0	X	XXXXb	00b	X	Output port
	1	X	1	X	XXXXb	00b	X	Output port (high drive)
	X	X	0	X	XXXXb	01b	1	Output port
	X	X	1	X	XXXXb	01b	1	Output port (high drive)
	X	X	X	X	XXXXb	01b	0	TZOUT output
X	X	X	X	XXXXb	1Xb	X	TZOUT output	

X: 0 or 1

Table 5.8 Port P1_4/TXD0

Register	PD1	PUR0	U0MR	U0C0	Function	
Bit	PD1_4	PU03	SMD2, SMD1, SMD0	NCH		
Setting Value	0	0	000b	X	Input port (not pulled up)	
	0	1	000b	X	Input port (pulled up)	
	1	X	000b	X	Output port	
	X	X	X	001b	0	TXD0 output, CMOS output
				100b		
				101b		
				110b		
	X	X	X	001b	1	TXD0 output, N-channel open output
				100b		
				101b		
				110b		

X: 0 or 1

Table 5.9 Port P1_5/RXD0/CNTR01/INT11

Register	PD1	PUR0	UCON	TXMR	Function
Bit	PD1_5	PU03	CNTRSEL	TXMOD1, TXMOD0	
Setting Value	0	0	X	XXb	Input port (not pulled up)
	0	1	X	XXb	Input port (pulled up)
	0	X	X	Other than 01b	RXD0 input
	0	X	1	Other than 01b	CNTR01/INT11 input
	1	X	X	Other than 01b	Output port
	1	X	1	Other than 01b	CNTR01 output

Table 5.10 Port P1_6/CLK0/SSI01

Register	PD1	PUR0	U0MR	SSU (Refer to Table 16.4 Association between Communication Modes and I/O Pins)		PMR	Function
Bit	PD1_6	PU03	SMD2, SMD1, SMD0, CKDIR	SSI Output Control	SSI Input Control	SSISEL	
Setting Value	0	0	Other than 0X10b	0	0	X	Input port (not pulled up)
	0	1	Other than 0X10b	0	0	X	Input port (pulled up)
	0	0	XXX1b	0	0	X	CLK0 (external clock) input
	1	X	Other than 0X10b	0	0	X	Output port
	X	X	0X10b	0	0	X	CLK0 (internal clock) output
	X	X	XXXXb	0	1	1	SSI01 input
	X	X	XXXXb	1	0	1	SSI01 output

X: 0 or 1

Table 5.11 Port P1_7/CNTR00/INT10

Register	PD1	PUR0	TXMR	UCON	Function
Bit	PD1_7	PU03	TXMOD1, TXMOD0	CNTRSEL	
Setting Value	0	0	Other than 01b	X	Input port (not pulled up)
	0	1	Other than 01b	X	Input port (pulled up)
	0	0	Other than 01b	0	CNTR00/INT10 input
	1	X	Other than 01b	X	Output port
	X	X	Other than 01b	0	CNTR00 output

X: 0 or 1

Table 5.12 Port P3_3/TCIN/INT3/SSI00/CMP1_0

Register	PD3	PUR0	SSU (Refer to Table 16.4 Association between Communication Modes and I/O Pins)		TCOUT	P3	PMR	Function
Bit	PD3_3	PU06	SSI Output Control	SSI Input Control	TCOUT3	P3_3	SSISEL	
Setting Value	0	0	0	0	0	X	X	Input port (not pulled up)
	0	1	0	0	0	X	X	Input port (pulled up)
	X	0	0	1	X	X	0	SSI00 input
	1	X	0	0	0	X	X	Output port
	X	X	0	0	1	0	X	Output port
	X	X	0	0	1	1	X	CMP1_0 output
	X	X	1	0	X	X	0	SSI00 output
	0	X	0	0	0	X	X	TCIN input/INT3

X: 0 or 1

Table 5.13 Port P3_4/SCS/SDA/CMP1_1

Register	PD3	PUR0	SSU (Refer to Table 16.4 Association between Communication Modes and I/O Pins)		TCOUT	P3	ICCR1	Function
Bit	PD3_4	PU07	SCS Output Control	SCS Input Control	TCOUT4	P3_4	ICE	
Setting Value	0	0	0	0	0	X	0	Input port (not pulled up)
	0	1	0	0	0	X	0	Input port (pulled up)
	0	0	0	1	0	X	0	SCS input
	X	X	0	0	X	X	1	SDA input/output
	1	X	0	0	0	X	0	Output port
	X	X	0	0	1	0	0	Output port
	X	X	0	0	1	1	0	CMP1_1 output
	X	X	1	0	X	X	0	SCS output

X: 0 or 1

Table 5.14 Port P3_5/SSCK/SCL/CMP1_2

Register	PD3	PUR0	SSU (Refer to Table 16.4 Association between Communication Modes and I/O Pins)		TCOUT	P3	ICCR1	Function
Bit	PD3_5	PU07	SSCK Output Control	SSCK Input Control	TCOUT5	P3_5	ICE	
Setting Value	0	0	0	0	0	X	0	Input port (not pulled up)
	0	1	0	0	0	X	0	Input port (pulled up)
	0	0	0	1	0	X	0	SSCK input
	X	X	0	0	X	X	1	SCL input/output
	1	X	0	0	0	X	0	Output port
	X	X	0	0	1	0	0	Output port
	X	X	0	0	1	1	0	CMP1_2 output
	X	X	1	0	X	X	0	SSCK output

X: 0 or 1

Table 5.15 Port P3_7/CNTR0/SSO/TXD1

Register	PD3	PUR0	U1MR	SSU (Refer to Table 16.4 Association between Communication Modes and I/O Pins)		TXMR	UCON	Function
Bit	PD3_7	PU07	SMD2, SMD1, SMD0	SSO Output Control	SSO Input Control	TXOCNT	U1SEL1, U1SEL0	
Setting Value	0	0	000b	0	0	0	0Xb	Input port (not pulled up)
	0	1	000b	0	0	0	0Xb	Input port (pulled up)
	1	X	000b	0	0	0	0Xb	Output port
	X	X	001b	0	0	X	11b	TXD1 output pin
			100b					
			101b					
			110b					
	X	X	000b	0	0	1	XXb	CNTR0 output pin
X	X	XXXb	0	1	X	XXb	SSO input pin	
X	X	XXXb	1	0	X	XXb	SSO output pin	

X: 0 or 1

Table 5.16 Port XIN/P4_6, XOUT/P4_7

Register	CM1	CM1	CM0	Circuit Specification		Function
Bit	CM13	CM10	CM05	Oscillation Buffer	Feedback Resistance	
Setting Value	1	1	1	OFF	OFF	XIN-XOUT oscillation stop
	1	0	1	OFF	ON	External input to XIN pin, "H" output from XOUT pin
	1	0	1	OFF	ON	XIN-XOUT oscillation stop
	1	0	0	ON	ON	XIN-XOUT oscillation
	0	X	X	OFF	OFF	Input port

X: 0 or 1

Table 5.17 Port P4_5/INT0/RXD1

Register	PD4	PUR1	UCON	INTEN	Function
Bit	PD4_5	PU11	U1SEL1, U1SEL0	INT0EN	
Setting Value	0	0	00b	0	Input port (not pulled up)
	0	1	00b	0	Input port (pulled up)
	0	0	00b	1	INT0 input (not pulled up)
	0	1	00b	1	INT0 input (pulled up)
	X	0	01b	0	RXD1 input
			11b		
	1	X	00b	0	X

X: 0 or 1

5.5 Unassigned Pin Handling

Table 5.18 lists Unassigned Pin Handling. Figure 5.11 shows Unassigned Pin Handling.

Table 5.18 Unassigned Pin Handling

Pin Name	Connection
Ports P1, P3_3 to P3_5, P3_7, P4_5	<ul style="list-style-type: none"> • After setting to input mode, connect each pin to VSS via a resistor (pull-down) or connect each pin to VCC via a resistor (pull-up).(2) • After setting to output mode, leave these pins open.(1, 2)
Ports P4_6, P4_7	Connect to VCC via a pull-up resistor(2)
Port P4_2/VREF	Connect to VCC
RESET(3)	Connect to VCC via a pull-up resistor(2)

NOTES:

1. If these ports are set to output mode and left open, they remain in input mode until they are switched to output mode by a program. The voltage level of these pins may be undefined and the power supply current may increase while the ports remain in input mode. The content of the direction registers may change due to noise or program runaway caused by noise. In order to enhance program reliability, the program should periodically repeat the setting of the direction registers.
2. Connect these unassigned pins to the MCU using the shortest wire length (2 cm or less) possible.
3. When the power-on reset function is in use.

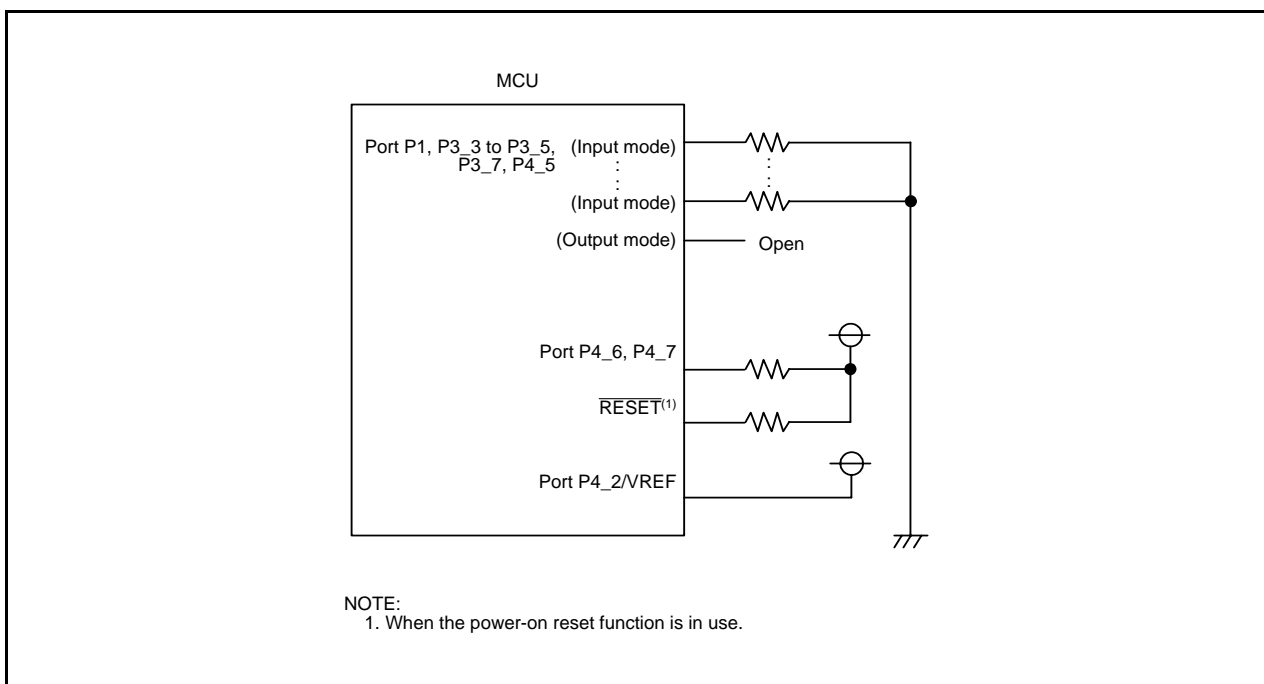


Figure 5.11 Unassigned Pin Handling

6. Resets

The following resets are implemented: hardware reset, power-on reset, voltage monitor 1 reset, voltage monitor 2 reset, watchdog timer reset, and software reset. Table 6.1 lists the Reset Names and Sources.

Table 6.1 Reset Names and Sources

Reset Name	Source
Hardware reset	Input voltage of $\overline{\text{RESET}}$ pin is held "L".
Power-on reset	VCC rises.
Voltage monitor 1 reset	VCC falls (monitor voltage: Vdet1).
Voltage monitor 2 reset	VCC falls (monitor voltage: Vdet2).
Watchdog timer reset	Underflow of watchdog timer
Software reset	Write 1 to PM03 bit in PM0 register.

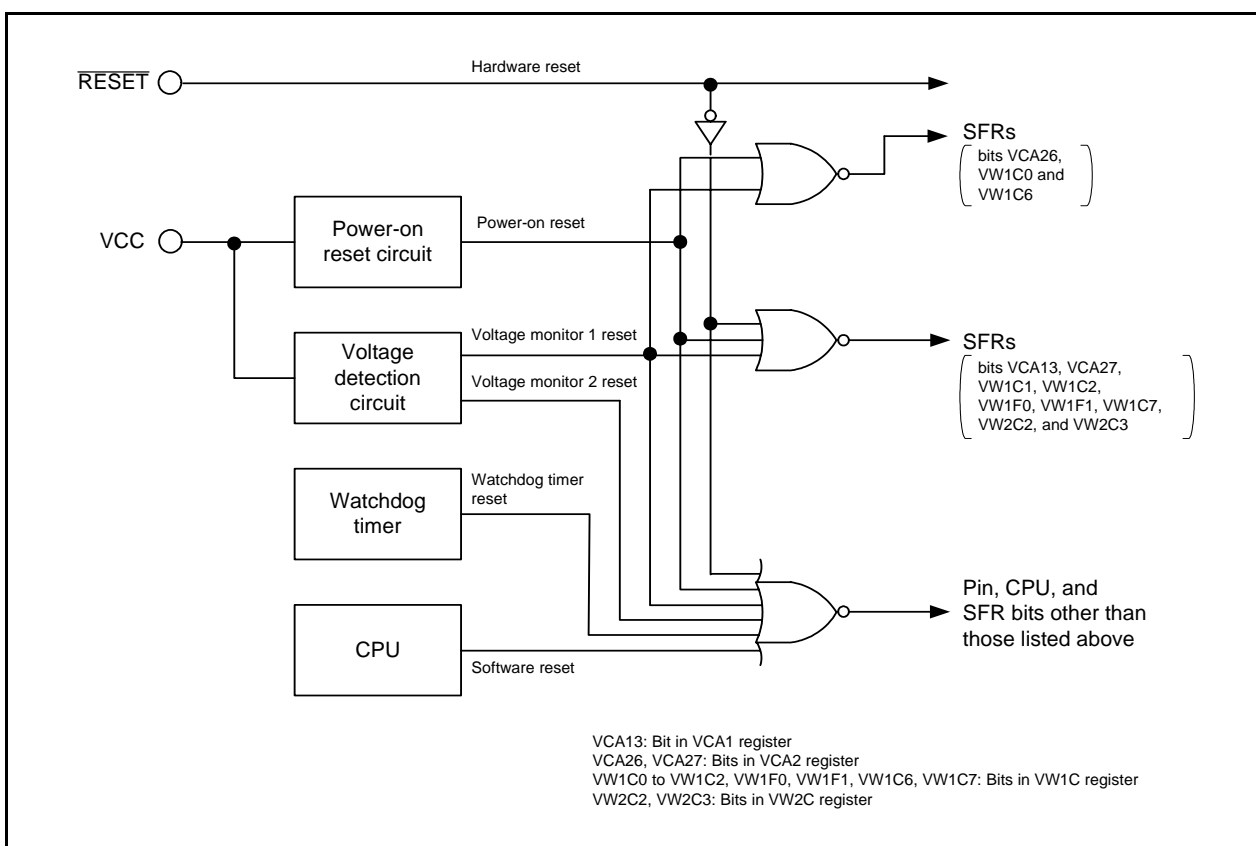


Figure 6.1 Block Diagram of Reset Circuit

Table 6.2 shows the Pin Functions while $\overline{\text{RESET}}$ Pin Level is “L”, Figure 6.2 shows CPU Register Status after Reset and Figure 6.3 shows Reset Sequence.

Table 6.2 Pin Functions while $\overline{\text{RESET}}$ Pin Level is “L”

Pin Name	Pin Functions
P1	Input port
P3_3 to P3_5, P3_7	Input port
P4_2, P4_5 to P4_7	Input port

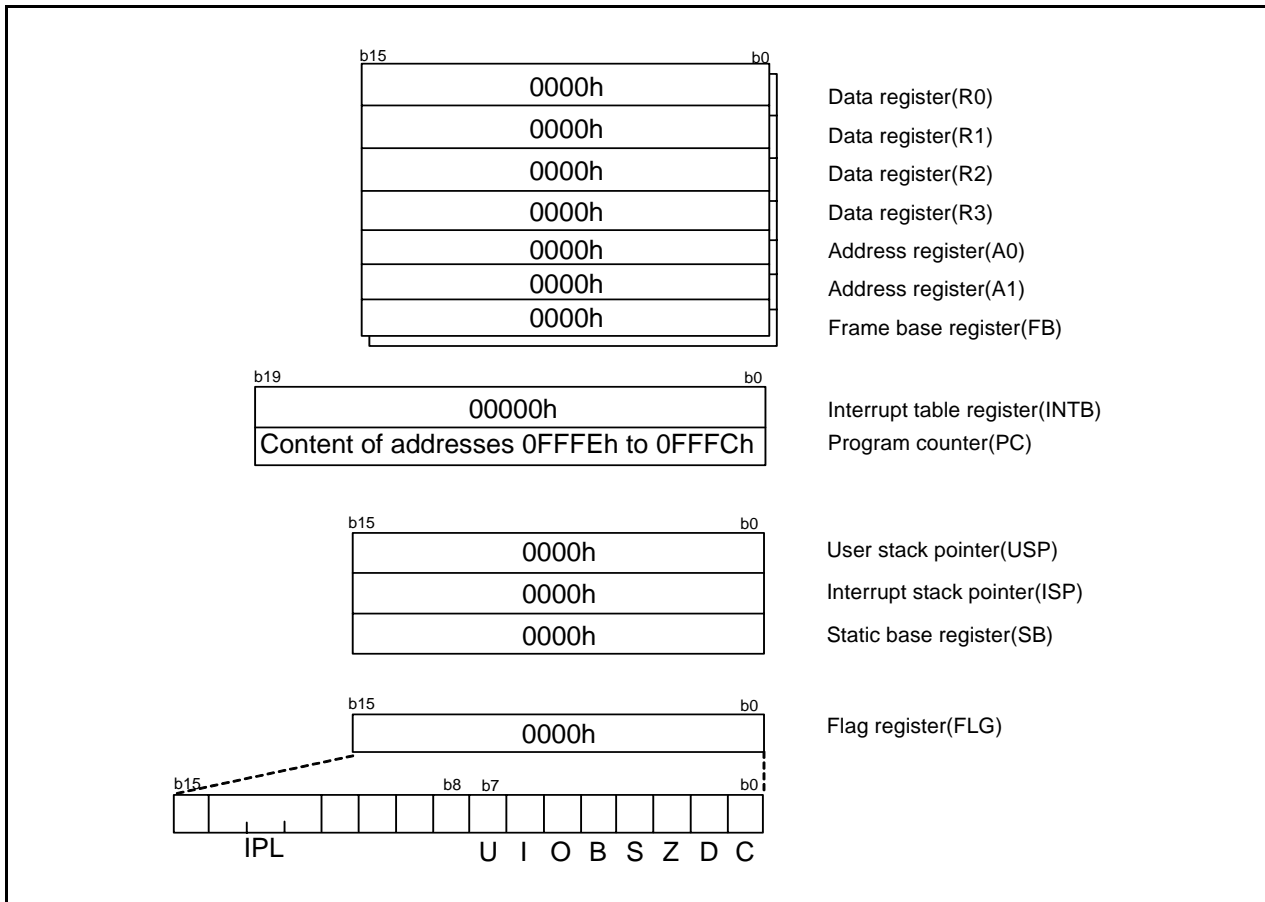


Figure 6.2 CPU Register Status after Reset

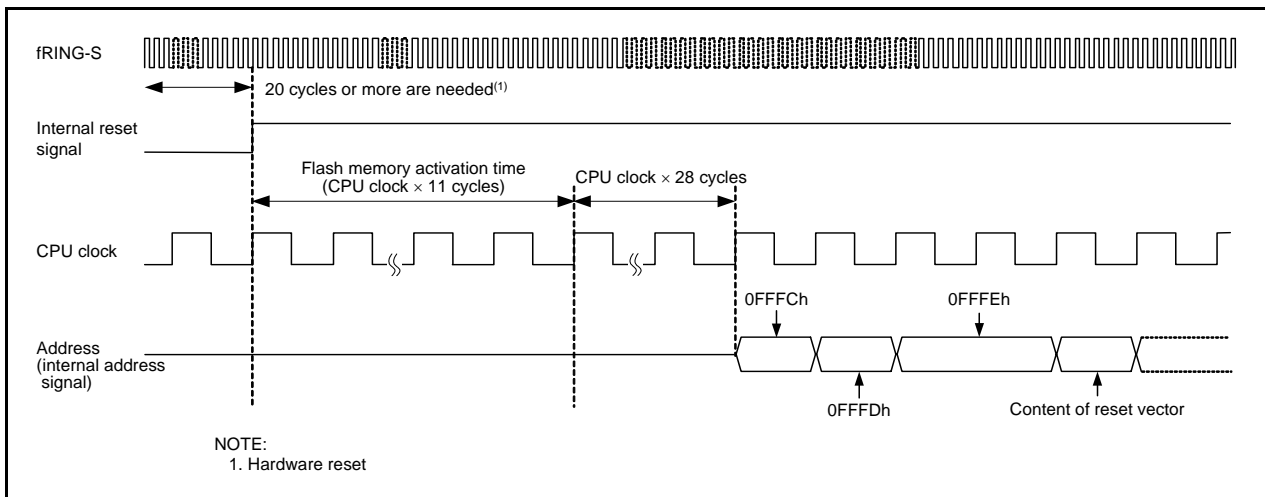


Figure 6.3 Reset Sequence

6.1 Hardware Reset

A reset is applied using the $\overline{\text{RESET}}$ pin. When an “L” signal is applied to the $\overline{\text{RESET}}$ pin while the supply voltage meets the recommended operating conditions, pins, CPU, and SFRs are reset (refer to **Table 6.2 Pin Functions while RESET Pin Level is “L”**). When the input level applied to the $\overline{\text{RESET}}$ pin changes from “L” to “H”, a program is executed beginning with the address indicated by the reset vector. After reset, the low-speed on-chip oscillator clock divided by 8 is automatically selected as the CPU clock.

Refer to **4. Special Function Registers (SFRs)** for the state of the SFRs after reset.

The internal RAM is not reset. If the $\overline{\text{RESET}}$ pin is pulled “L” while writing to the internal RAM is in progress, the contents of internal RAM will be undefined.

Figure 6.4 shows an Example of Hardware Reset Circuit and Operation and Figure 6.5 shows an Example of Hardware Reset Circuit (Usage Example of External Supply Voltage Detection Circuit) and Operation.

6.1.1 When Power Supply is Stable

- (1) Apply “L” to the $\overline{\text{RESET}}$ pin.
- (2) Wait for $500 \mu\text{s}$ ($1/\overline{\text{FRING-S}} \times 20$).
- (3) Apply “H” to the $\overline{\text{RESET}}$ pin.

6.1.2 Power On

- (1) Apply “L” to the $\overline{\text{RESET}}$ pin.
- (2) Let the supply voltage increase until it meets the recommended operating condition.
- (3) Wait for $t_{\text{d(P-R)}}$ or more to allow the internal power supply to stabilize (refer to **19. Electrical Characteristics**).
- (4) Wait for $500 \mu\text{s}$ ($1/\overline{\text{FRING-S}} \times 20$).
- (5) Apply “H” to the $\overline{\text{RESET}}$ pin.

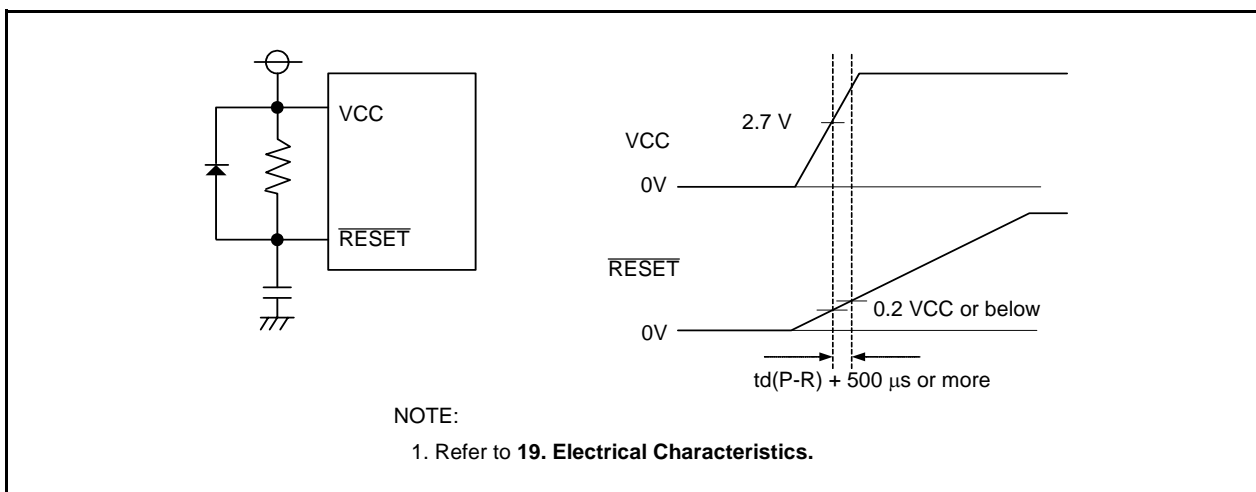


Figure 6.4 Example of Hardware Reset Circuit and Operation

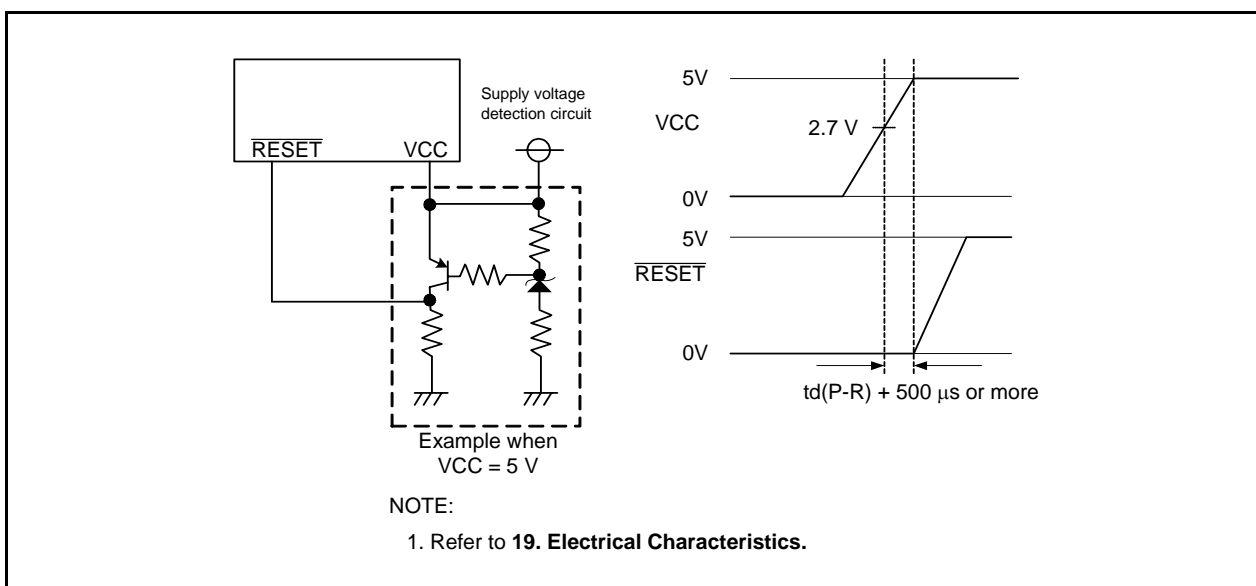


Figure 6.5 Example of Hardware Reset Circuit (Usage Example of External Supply Voltage Detection Circuit) and Operation

6.2 Power-On Reset Function

When the $\overline{\text{RESET}}$ pin is connected to the VCC pin via a pull-up resistor of about 5 k Ω , and the VCC pin voltage level rises, the power-on reset function is enabled and the MCU resets its pins, CPU, and SFR. When a capacitor is connected to the $\overline{\text{RESET}}$ pin, always keep the voltage to the $\overline{\text{RESET}}$ pin 0.8VCC or more.

When the input voltage to the VCC pin reaches the Vdet1 level or above, the low-speed on-chip oscillator clock starts counting. When the low-speed on-chip oscillator clock count reaches 32, the internal reset signal is held "H" and the MCU enters the reset sequence (refer to Figure 6.3). The low-speed on-chip oscillator clock divide by 8 is automatically selected as the CPU after reset.

Refer to **4. Special Function Registers (SFRs)** for the status of the SFR after power-on reset.

The voltage monitor 1 reset is enabled after power-on reset.

Figure 6.6 shows an Example of Power-On Reset Circuit and Operation.

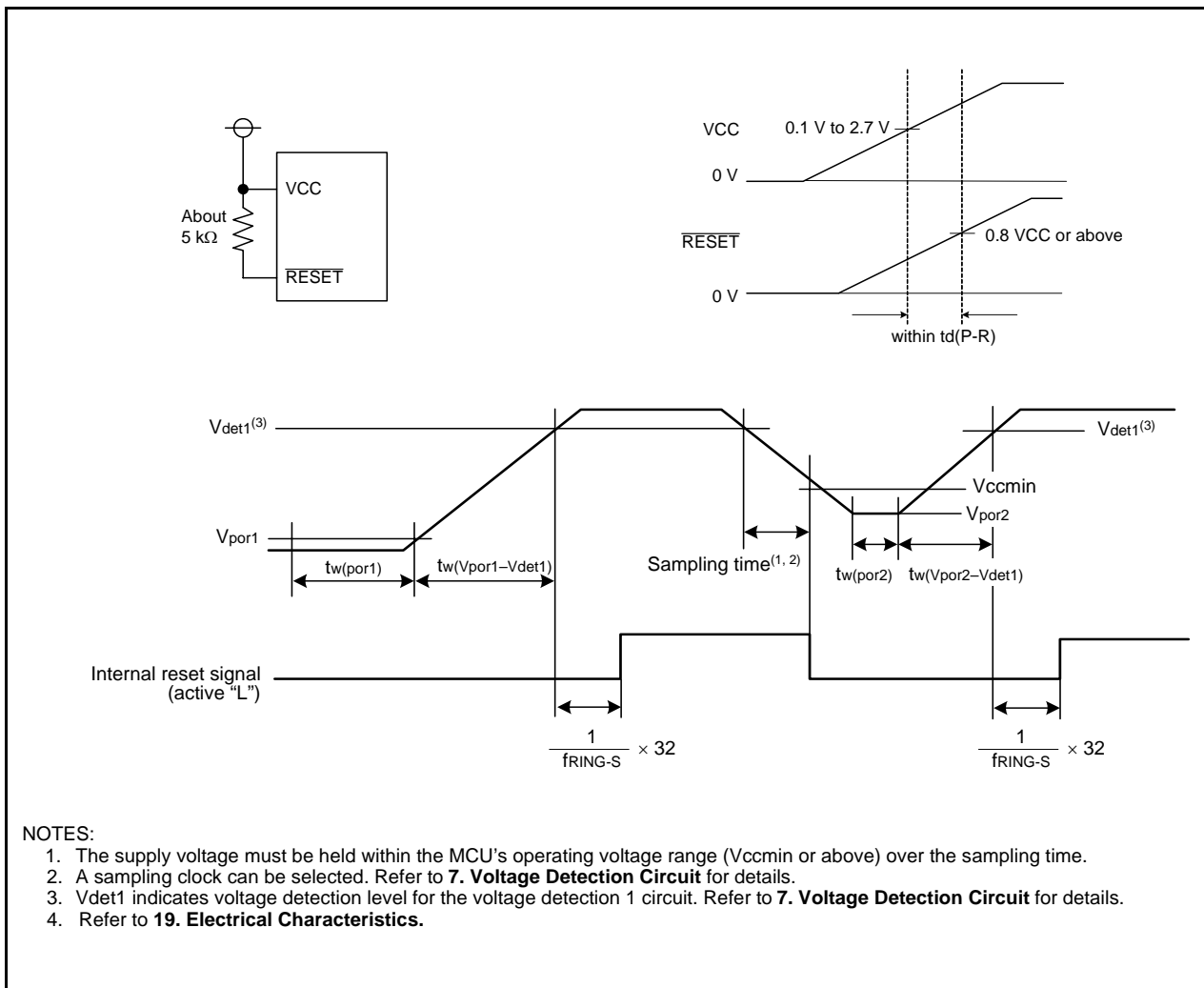


Figure 6.6 Example of Power-On Reset Circuit and Operation

6.3 Voltage Monitor 1 Reset

A reset is applied using the on-chip voltage detection 1 circuit. The voltage detection 1 circuit monitors the input voltage to the VCC pin. The voltage to monitor is Vdet1.

When the input voltage to the VCC pin reaches the Vdet1 level or below, the pins, CPU, and SFR are reset.

When the input voltage to the VCC pin reaches the Vdet1 level or above, the low-speed on-chip oscillator clock starts counting. When the low-speed on-chip oscillator clock count reaches 32, the internal reset signal is held “H” and the MCU enters the reset sequence (refer to Figure 6.3). The low-speed on-chip oscillator clock divided by 8 is automatically selected as the CPU after reset.

Refer to **4. Special Function Registers (SFRs)** for the status of the SFR after voltage monitor 1 reset.

The internal RAM is not reset. When the input voltage to the VCC pin reaches the Vdet1 level or below while writing to the internal RAM is in progress, the contents of internal RAM are undefined.

Refer to **7. Voltage Detection Circuit** for details of voltage monitor 1 reset.

6.4 Voltage Monitor 2 Reset

A reset is applied using the on-chip voltage detection 2 circuit. The voltage detection 2 circuit monitors the input voltage to the VCC pin. The voltage to monitor is Vdet2.

When the input voltage to the VCC pin reaches the Vdet2 level or below, pins, CPU, and SFR are reset and the program beginning with the address indicated by the reset vector is executed. After reset, the low-speed on-chip oscillator clock divided by 8 is automatically selected as the CPU clock.

The voltage monitor 2 does not reset some SFRs. Refer to **4. Special Function Registers (SFRs)** for details.

The internal RAM is not reset. When the input voltage to the VCC pin reaches the Vdet2 level or below while writing to the internal RAM is in progress, the contents of internal RAM are undefined.

Refer to **7. Voltage Detection Circuit** for details of voltage monitor 2 reset.

6.5 Watchdog Timer Reset

When the PM12 bit in the PM1 register is set to 1 (reset when watchdog timer underflows), the MCU resets its pins, CPU, and SFR if the watchdog timer underflows. Then the program beginning with the address indicated by the reset vector is executed. After reset, the low-speed on-chip oscillator clock divided by 8 is automatically selected as the CPU clock.

The watchdog timer reset does not reset some SFRs. Refer to **4. Special Function Registers (SFRs)** for details.

The internal RAM is not reset. When the watchdog timer underflows, the contents of internal RAM are undefined.

Refer to **13. Watchdog Timer** for details of the watchdog timer.

6.6 Software Reset

When the PM03 bit in the PM0 register is set to 1 (MCU reset), the MCU resets its pins, CPU, and SFR. The program beginning with the address indicated by the reset vector is executed. After reset, the low-speed on-chip oscillator clock divided by 8 is automatically selected for the CPU clock.

The software reset does not reset some SFRs. Refer to **4. Special Function Registers (SFRs)** for details.

The internal RAM is not reset.

7. Voltage Detection Circuit

The voltage detection circuit monitors the input voltage to the VCC pin. This circuit can be used to monitor the VCC input voltage by a program. Alternately, voltage monitor 1 reset, voltage monitor 2 interrupt, and voltage monitor 2 reset can also be used.

Table 7.1 lists the Specifications of Voltage Detection Circuit and Figures 7.1 to 7.3 show the Block Diagrams. Figures 7.4 to 7.6 show the Associated Registers.

Table 7.1 Specifications of Voltage Detection Circuit

Item		Voltage Detection 1	Voltage Detection 2
VCC monitor	Voltage to monitor	Vdet1	Vdet2
	Detection target	Passing through Vdet1 by rising or falling	Passing through Vdet2 by rising or falling
	Monitor	None	VCA13 bit in VCA1 register Whether VCC is higher or lower than Vdet2
Process when voltage is detected	Reset	Voltage monitor 1 reset Reset at $V_{det1} > VCC$; restart CPU operation at $VCC > V_{det1}$	Voltage monitor 2 reset Reset at $V_{det2} > VCC$; restart CPU operation after a specified time
	Interrupt	None	Voltage monitor 2 interrupt Interrupt request at $V_{det2} > VCC$ and $VCC > V_{det2}$ when digital filter is enabled; interrupt request at $V_{det2} > VCC$ or $VCC > V_{det2}$ when digital filter is disabled
Digital filter	Switch enabled/disabled	Available	Available
	Sampling time	(Divide-by-n of fRING-S) x 4 n: 1, 2, 4, and 8	(Divide-by-n of fRING-S) x 4 n: 1, 2, 4, and 8

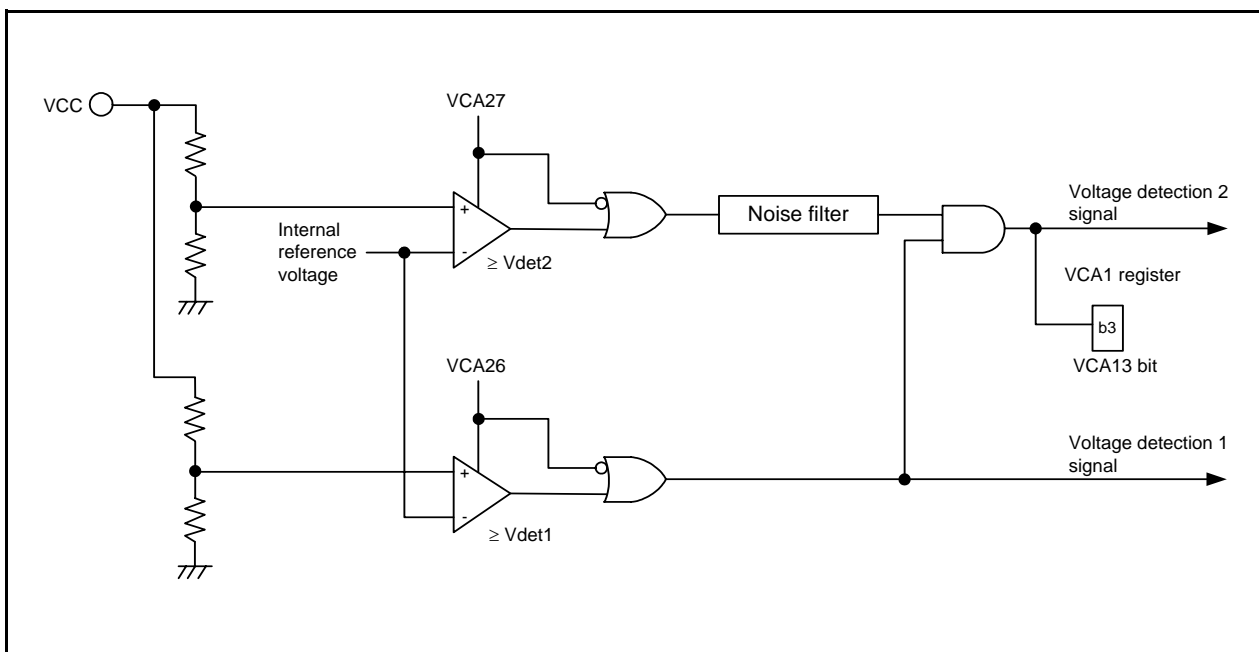


Figure 7.1 Block Diagram of Voltage Detection Circuit

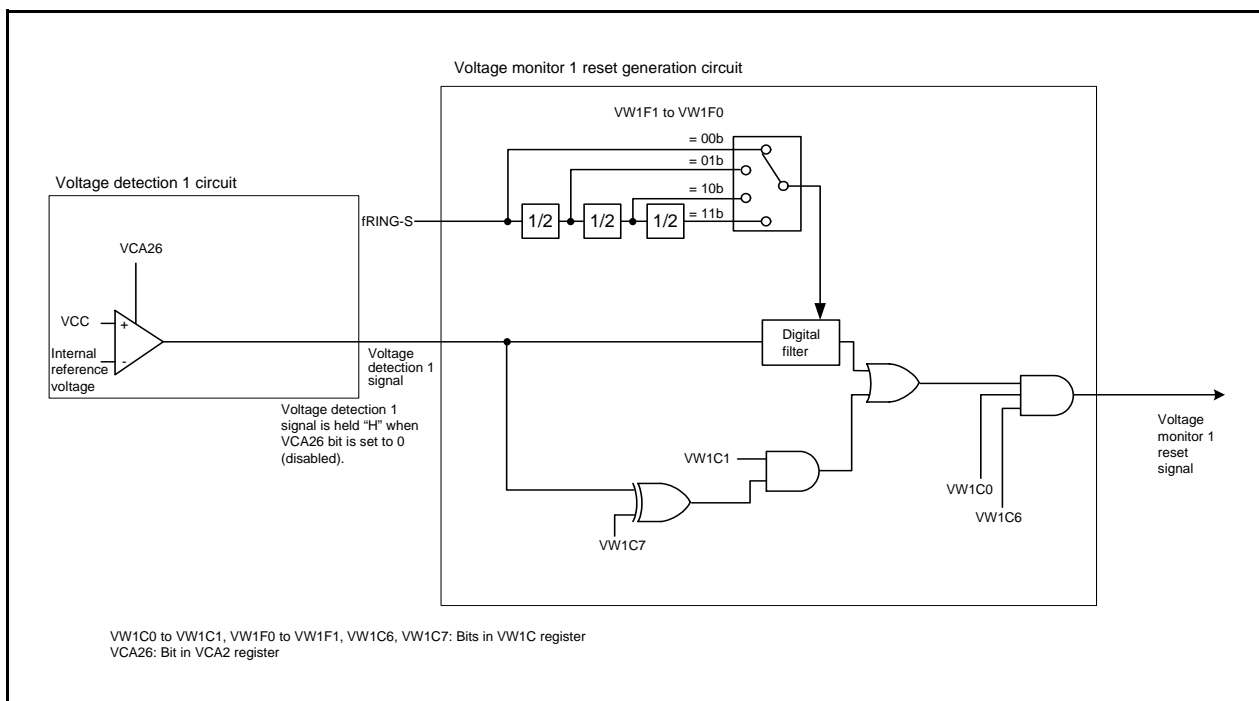


Figure 7.2 Block Diagram of Voltage Monitor 1 Reset Generation Circuit

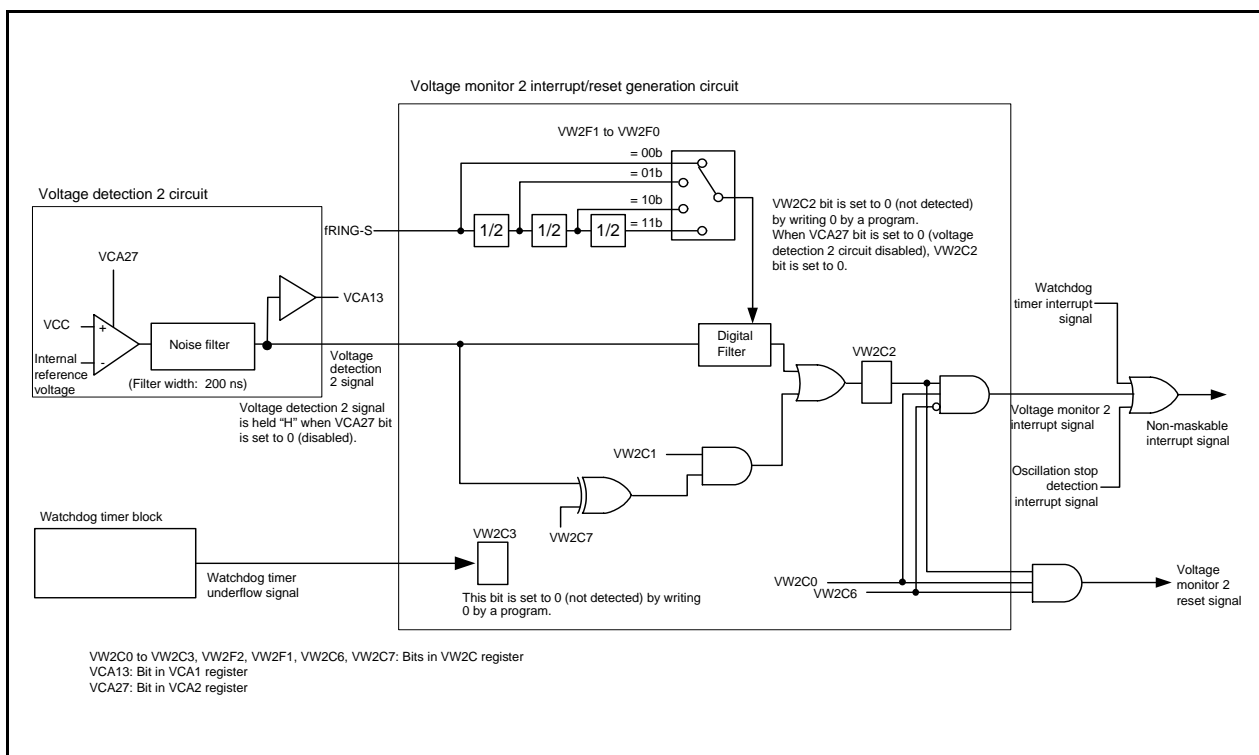


Figure 7.3 Block Diagram of Voltage Monitor 2 Interrupt / Reset Generation Circuit

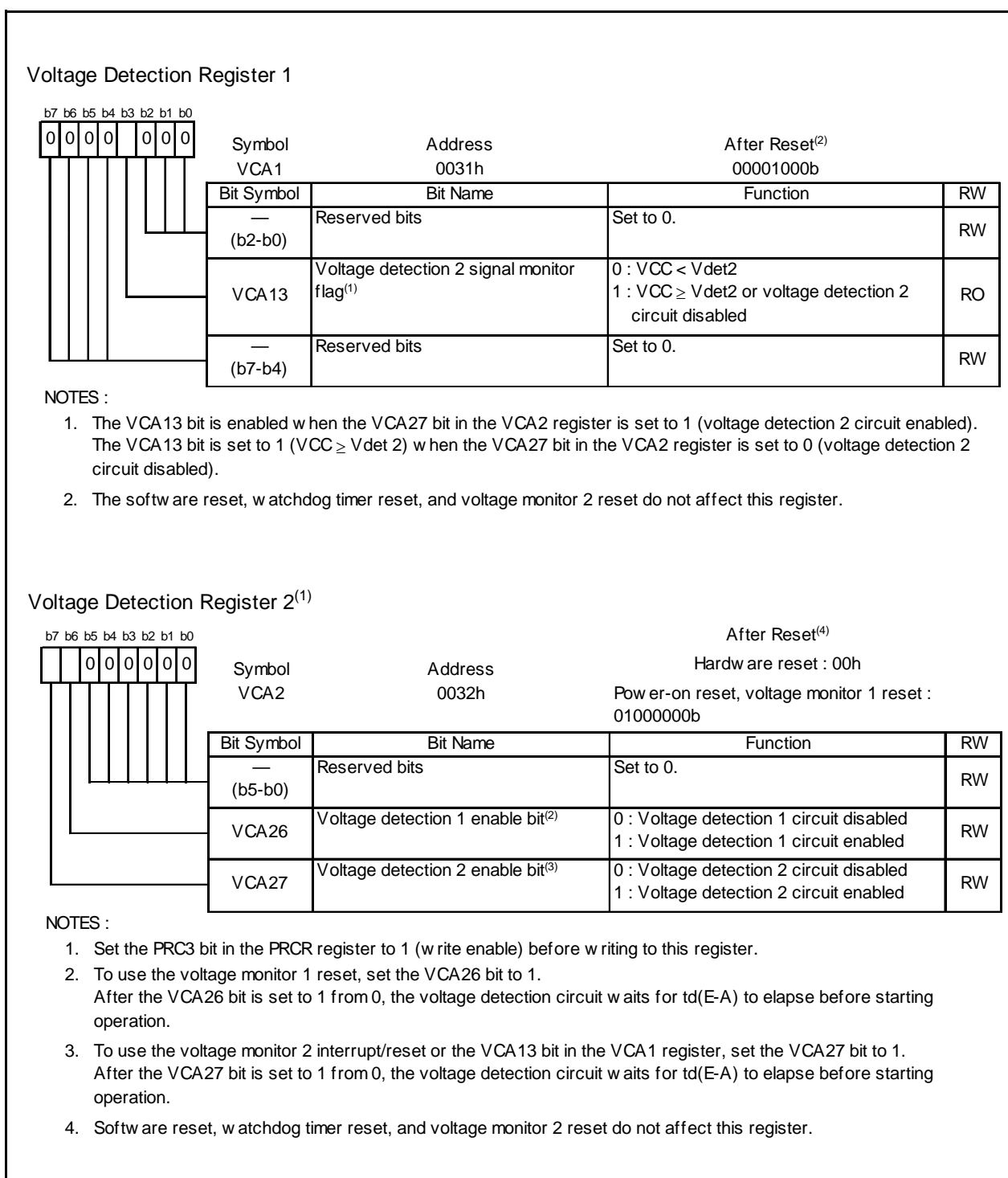


Figure 7.4 Registers VCA1 and VCA2

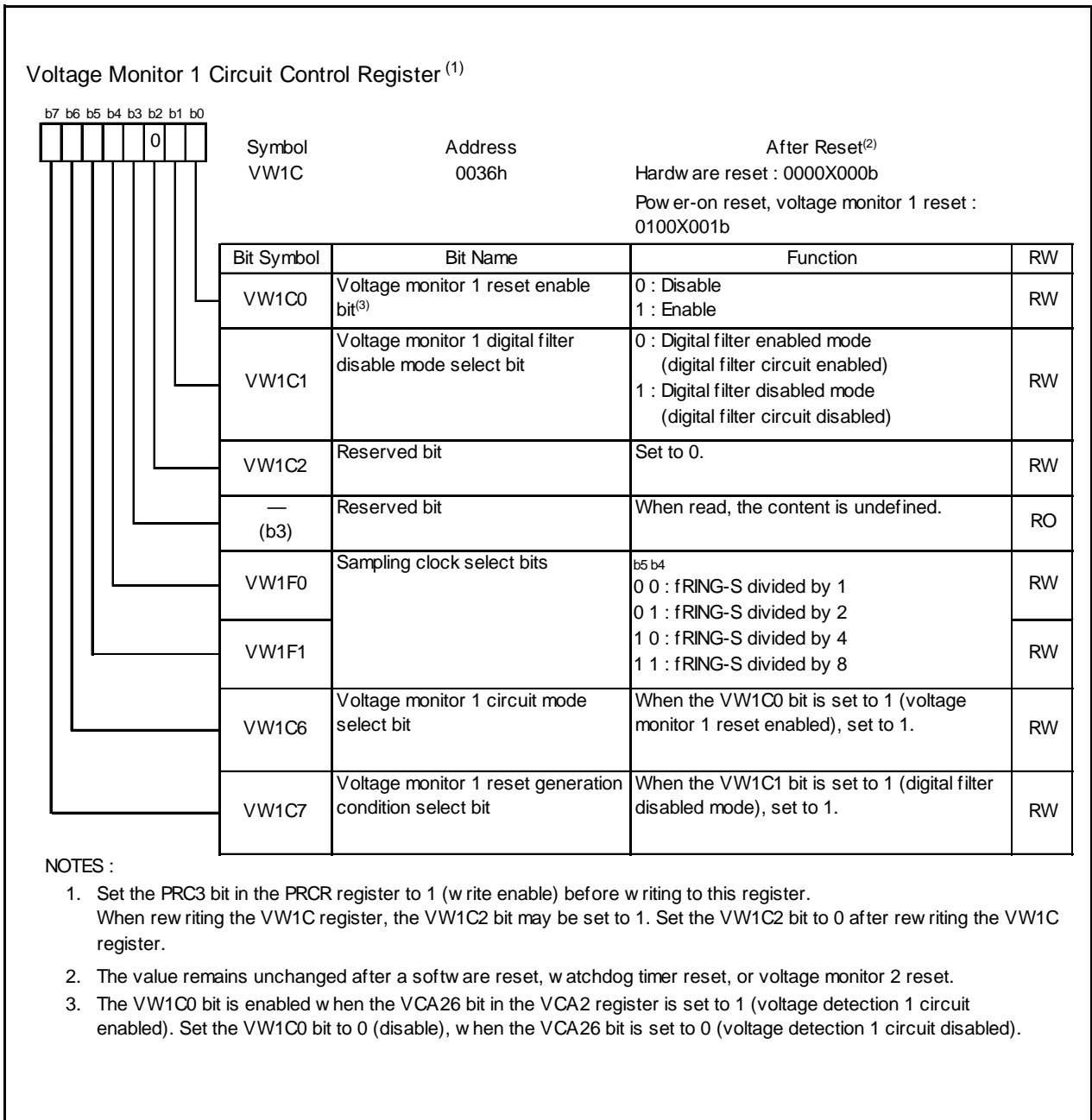


Figure 7.5 VW1C Register

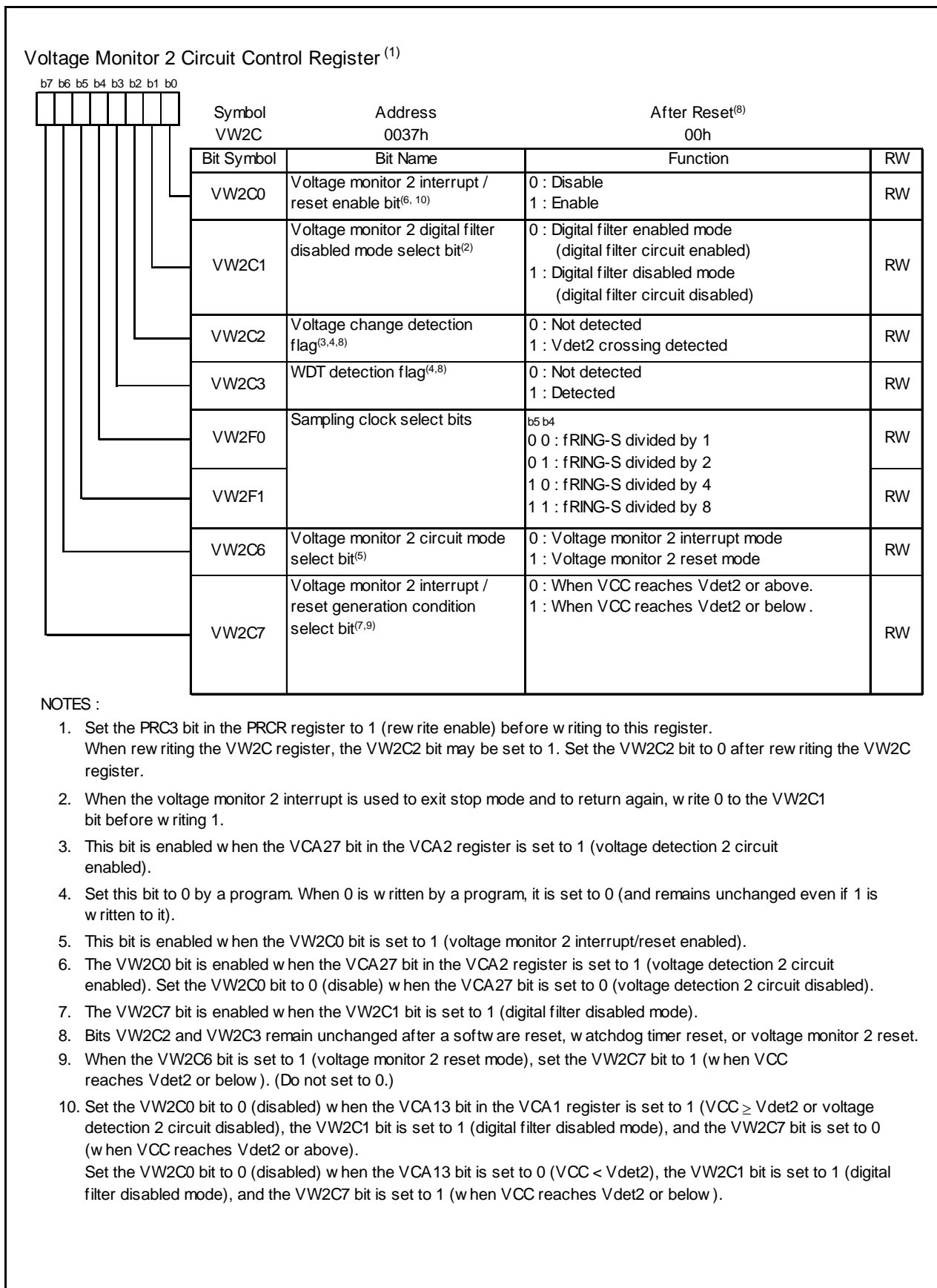


Figure 7.6 VW2C Register

7.1 VCC Input Voltage

7.1.1 Monitoring Vdet1

Vdet1 cannot be monitored.

7.1.2 Monitoring Vdet2

Set the VCA27 bit in the VCA2 register to 1 (voltage detection 2 circuit enabled). After $t_d(E-A)$ has elapsed (refer to **19. Electrical Characteristics**), Vdet2 can be monitored by the VCA13 bit in the VCA1 register.

7.1.3 Digital Filter

A digital filter can be used for monitoring the VCC input voltage. When the VW1C1 bit in the VW1C register is set to 0 (digital filter enabled) for the voltage monitor 1 circuit and the VW2C1 bit in the VW2C register is set to 0 (digital filter enabled) for the voltage monitor 2 circuit, the digital filter circuit is enabled.

fRING-S divided by 1, 2, 4, or 8 may be selected as a sampling clock.

The level of VCC input voltage is sampled every sampling clock cycle, and when the sampled input level matches two times, the internal reset signal changes to "L" or a voltage monitor 2 interrupt request is generated.

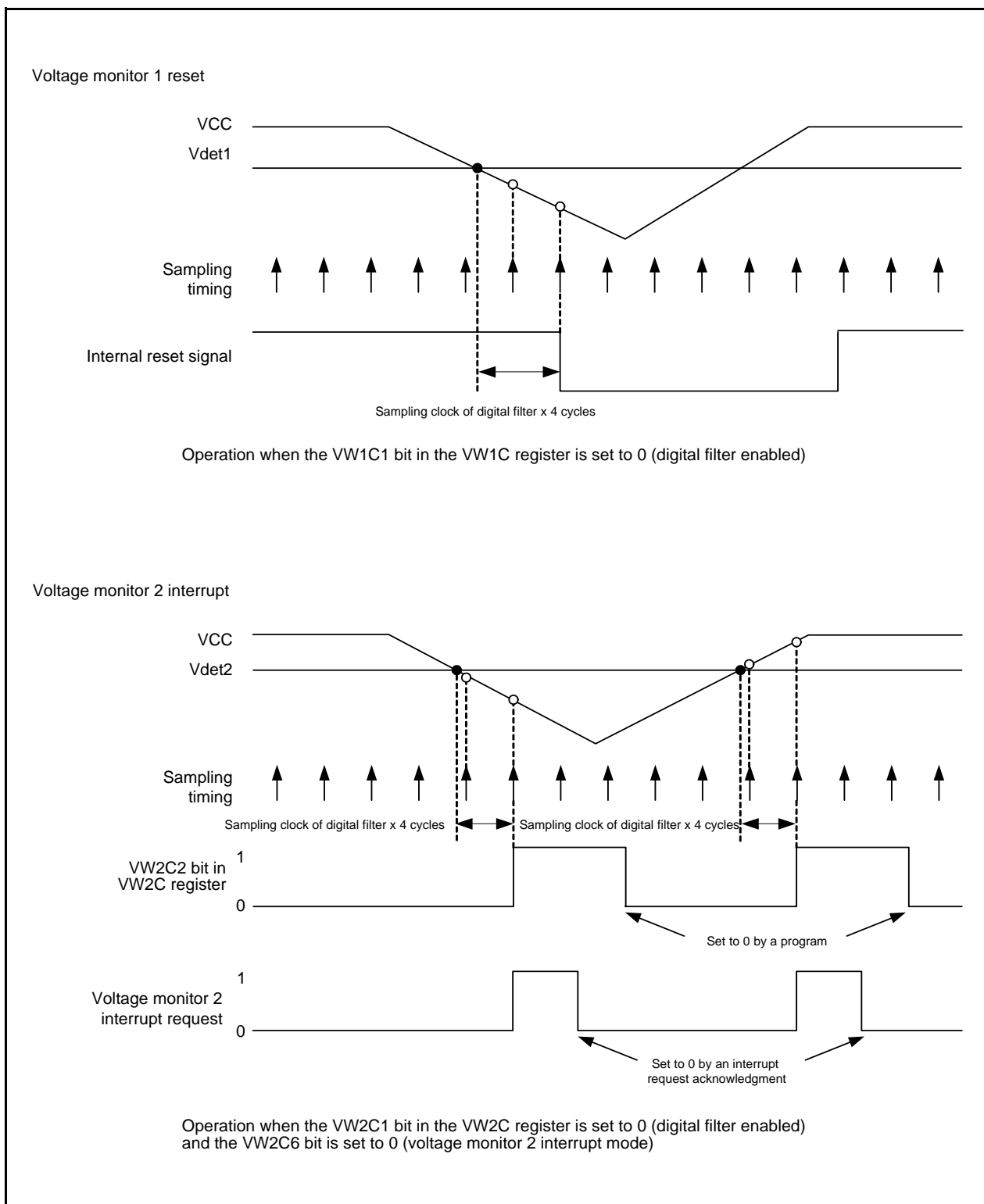


Figure 7.7 Operating Example of Digital Filter

7.2 Voltage Monitor 1 Reset

Table 7.2 lists the Setting Procedure of Voltage Monitor 1 Reset Associated Bits and Figure 7.8 shows an Operating Example of Voltage Monitor 1 Reset. To use voltage monitor 1 reset to exit stop mode, set the VW1C1 bit in the VW1C register to 1 (digital filter disabled).

Table 7.2 Setting Procedure of Voltage Monitor 1 Reset Associated Bits

Step	When Using Digital Filter	When Not Using Digital Filter
1	Set the VCA26 bit in the VCA2 register to 1 (voltage detection 1 circuit enabled).	
2	Wait for $t_d(E-A)$	
3(1)	Select the sampling clock of the digital filter by bits VW1F0 to VW1F1 in the VW1C register.	Set the VW1C7 bit in the VW1C register to 1.
4(1)	Set the VW1C1 bit in the VW1C register to 0 (digital filter enabled).	Set the VW1C1 bit in the VW1C register to 1 (digital filter disabled).
5(1)	Set the VW1C6 bit in the VW1C register to 1 (voltage monitor 1 reset mode).	
6	Set the VW1C2 bit in the VW1C register to 0.	
7	Set the CM14 bit in the CM1 register to 0 (low-speed on-chip oscillator on).	–
8	Wait for 4 cycles of the sampling clock of the digital filter	– (No wait time)
9	Set the VW1C0 bit in the VW1C register to 1 (voltage monitor 1 reset enabled).	

NOTE:

- When the VW1C0 bit is set to 0 (disabled), steps 3, 4, and 5 can be executed simultaneously (with 1 instruction).

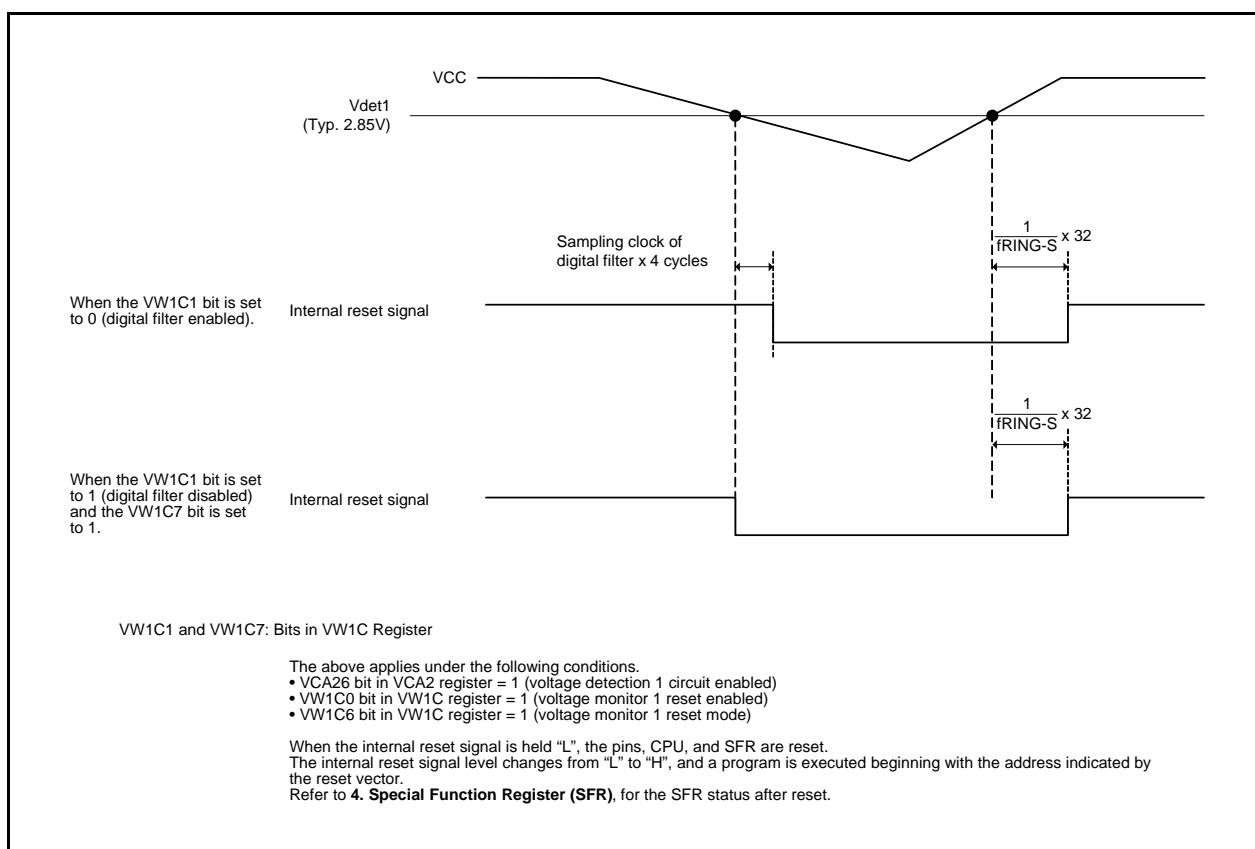


Figure 7.8 Operating Example of Voltage Monitor 1 Reset

7.3 Voltage Monitor 2 Interrupt and Voltage Monitor 2 Reset

Table 7.3 lists the Setting Procedure of Voltage Monitor 2 Interrupt and Voltage Monitor 2 Reset Associated Bits. Figure 7.9 shows an Operating Example of Voltage Monitor 2 Interrupt and Voltage Monitor 2 Reset. To use voltage monitor 2 interrupt or voltage monitor 2 reset to exit stop mode, set the VW2C1 bit in the VW2C register to 1 (digital filter disabled).

Table 7.3 Setting Procedure of Voltage Monitor 2 Interrupt and Voltage Monitor 2 Reset Associated Bits

Step	When Using Digital Filter		When Not Using Digital Filter	
	Voltage Monitor 2 Interrupt	Voltage Monitor 2 Reset	Voltage Monitor 2 Interrupt	Voltage Monitor 2 Reset
1	Set the VCA27 bit in the VCA2 register to 1 (voltage detection 2 circuit enabled).			
2	Wait for $t_d(E-A)$			
3 ⁽²⁾	Select the sampling clock of the digital filter by bits VW2F0 to VW2F1 in the VW2C register.		Select the timing of the interrupt and reset request by the VW2C7 bit in the VW2C register ⁽¹⁾ .	
4 ⁽²⁾	Set the VW2C1 bit in the VW2C register to 0 (digital filter enabled).		Set the VW2C1 bit in the VW2C register to 1 (digital filter disabled).	
5 ⁽²⁾	Set the VW2C6 bit in the VW2C register to 0 (voltage monitor 2 interrupt mode).	Set the VW2C6 bit in the VW2C register to 1 (voltage monitor 2 reset mode).	Set the VW2C6 bit in the VW2C register to 0 (voltage monitor 2 interrupt mode).	Set the VW2C6 bit in the VW2C register to 1 (voltage monitor 2 reset mode).
6	Set the VW2C2 bit in the VW2C register to 0 (passing of Vdet2 is not detected).			
7	Set the CM14 bit in the CM1 register to 0 (low-speed on-chip oscillator on).		–	
8	Wait for 4 cycles of the sampling clock of the digital filter		– (No wait time)	
9	Set the VW2C0 bit in the VW2C register to 1 (voltage monitor 2 interrupt/reset enabled).			

NOTES:

1. Set the VW2C7 bit to 1 (when VCC reaches Vdet2 or below) for the voltage monitor 2 reset.
2. When the VW2C0 bit is set to 0 (disabled), steps 3, 4 and 5 can be executed simultaneously (with 1 instruction).

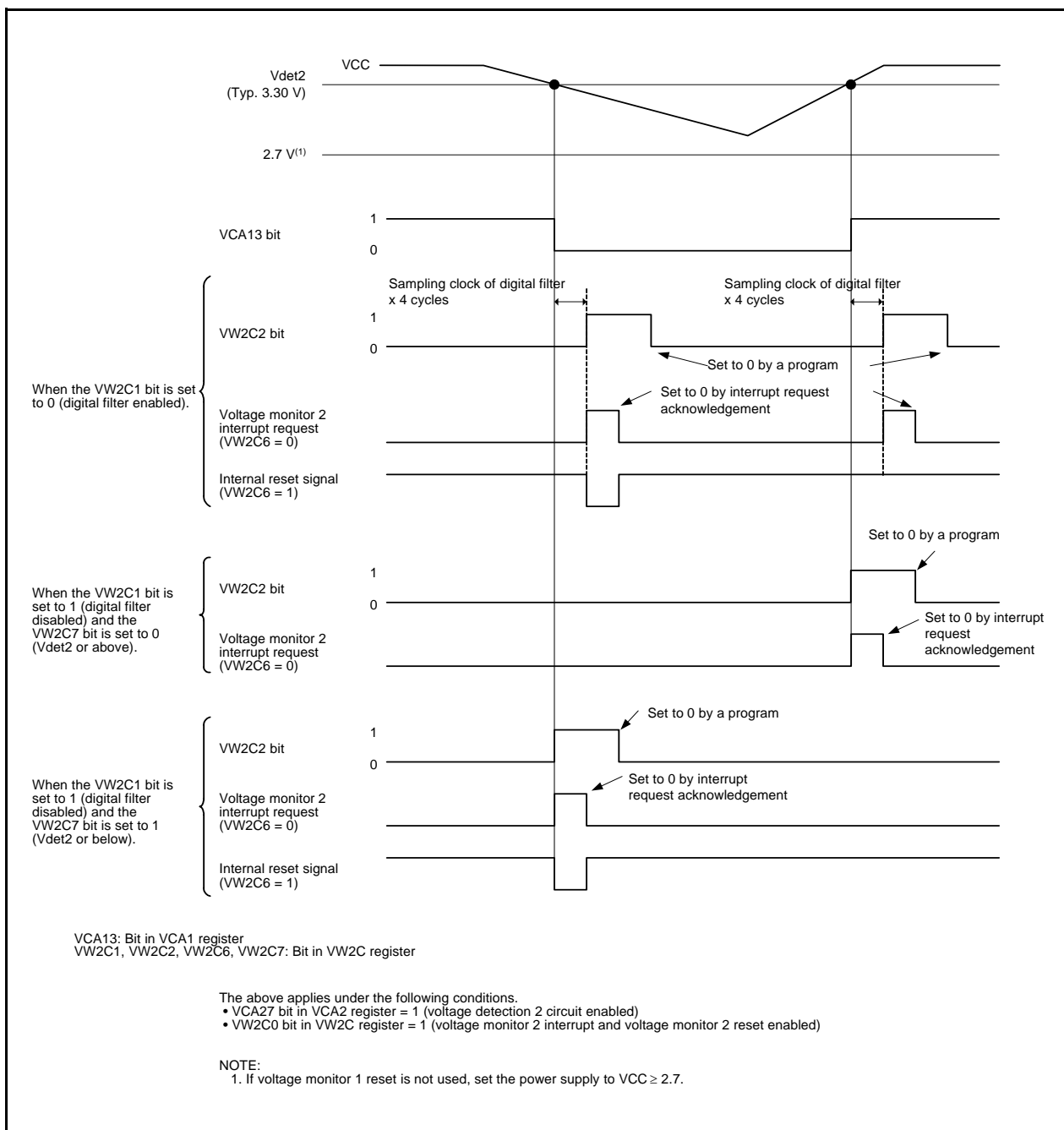


Figure 7.9 Operating Example of Voltage Monitor 2 Interrupt and Voltage Monitor 2 Reset

8. Processor Mode

8.1 Processor Modes

Single-chip mode can be selected as the processor mode. Table 8.1 lists Features of Processor Mode. Figure 8.1 shows the PM0 Register and Figure 8.2 shows the PM1 Register.

Table 8.1 Features of Processor Mode

Processor Mode	Accessible Areas	Pins Assignable as I/O Port Pins
Single-chip mode	SFR, internal RAM, internal ROM	All pins are I/O ports or peripheral function I/O pins.

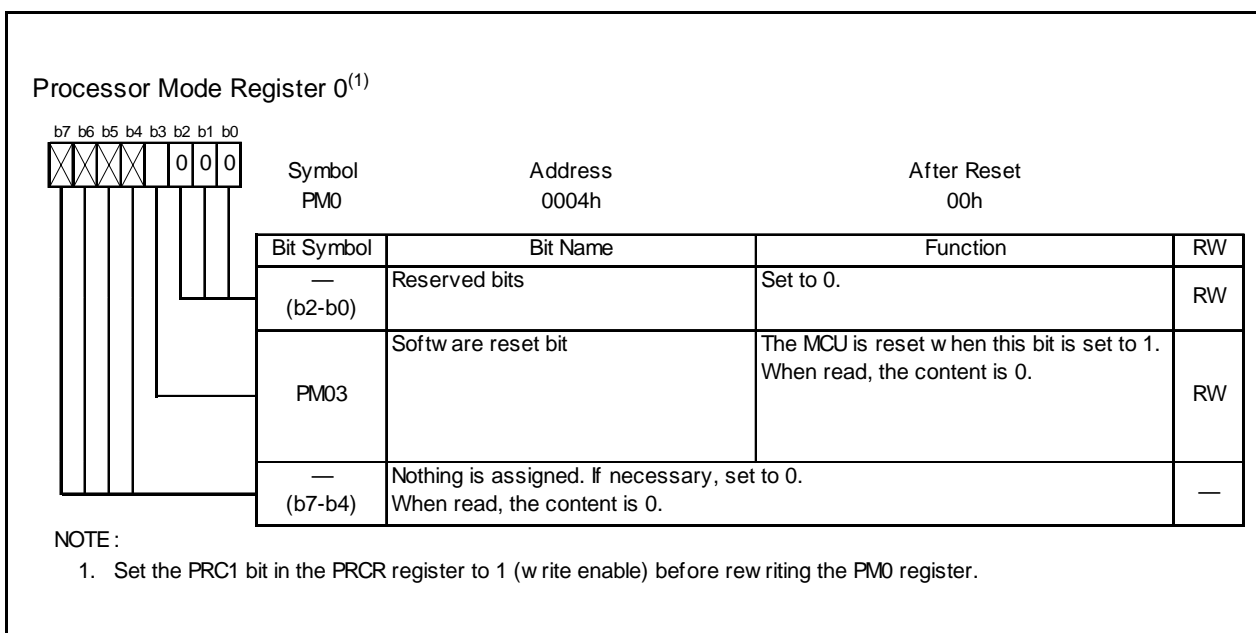


Figure 8.1 PM0 Register

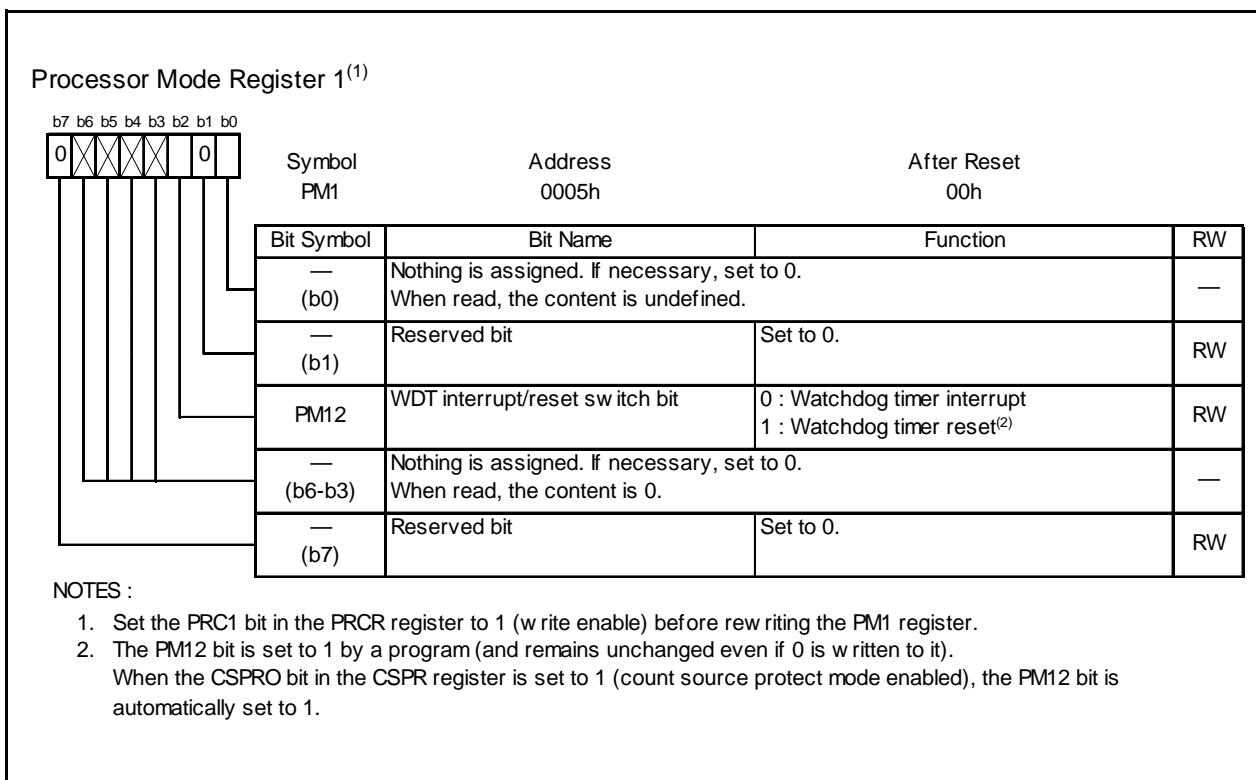


Figure 8.2 PM1 Register

9. Bus

The bus cycles differ when accessing ROM/RAM, and when accessing SFR. Table 9.1 lists Bus Cycles by Access Space of the R8C/1A Group and Table 9.2 lists Bus Cycles by Access Space of the R8C/1B Group.

ROM/RAM and SFR are connected to the CPU by an 8-bit bus. When accessing in word (16-bit) units, these areas are accessed twice in 8-bit units. Table 9.3 lists Access Units and Bus Operations.

Table 9.1 Bus Cycles by Access Space of the R8C/1A Group

Access Area	Bus Cycle
SFR	2 cycles of CPU clock
ROM/RAM	1 cycle of CPU clock

Table 9.2 Bus Cycles by Access Space of the R8C/1B Group

Access Area	Bus Cycle
SFR/data flash	2 cycles of CPU clock
Program ROM/RAM	1 cycle of CPU clock

Table 9.3 Access Units and Bus Operations

Area	SFR, data flash	ROM (program ROM), RAM
Even address Byte access		
Odd address Byte access		
Even address Word access		
Odd address Word access		

10. Clock Generation Circuit

The clock generation circuit has:

- Main clock oscillation circuit
- On-chip oscillator (oscillation stop detection function)

Table 10.1 lists Specifications of Clock Generation Circuit. Figure 10.1 shows a Clock Generation Circuit. Figures 9.2 to 10.5 show clock associated registers.

Table 10.1 Specifications of Clock Generation Circuit

Item	Main Clock Oscillation Circuit	On-Chip Oscillator	
		High-Speed On-Chip Oscillator	Low-Speed On-Chip Oscillator
Applications	<ul style="list-style-type: none"> • CPU clock source • Peripheral function clock source 	<ul style="list-style-type: none"> • CPU clock source • Peripheral function clock source • CPU and peripheral function clock sources when main clock stops oscillating 	<ul style="list-style-type: none"> • CPU clock source • Peripheral function clock source • CPU and peripheral function clock sources when main clock stops oscillating
Clock frequency	0 to 20 MHz	Approx. 8 MHz	Approx. 125 kHz
Connectable oscillator	<ul style="list-style-type: none"> • Ceramic resonator • Crystal oscillator 	–	–
Oscillator connect pins	XIN, XOUT ⁽¹⁾	(Note 1)	(Note 1)
Oscillation stop, restart function	Usable	Usable	Usable
Oscillator status after reset	Stop	Stop	Oscillate
Others	Externally generated clock can be input	–	–

NOTE:

1. These pins can be used as P4_6 or P4_7 when using the on-chip oscillator clock as the CPU clock while the main clock oscillation circuit is not used.

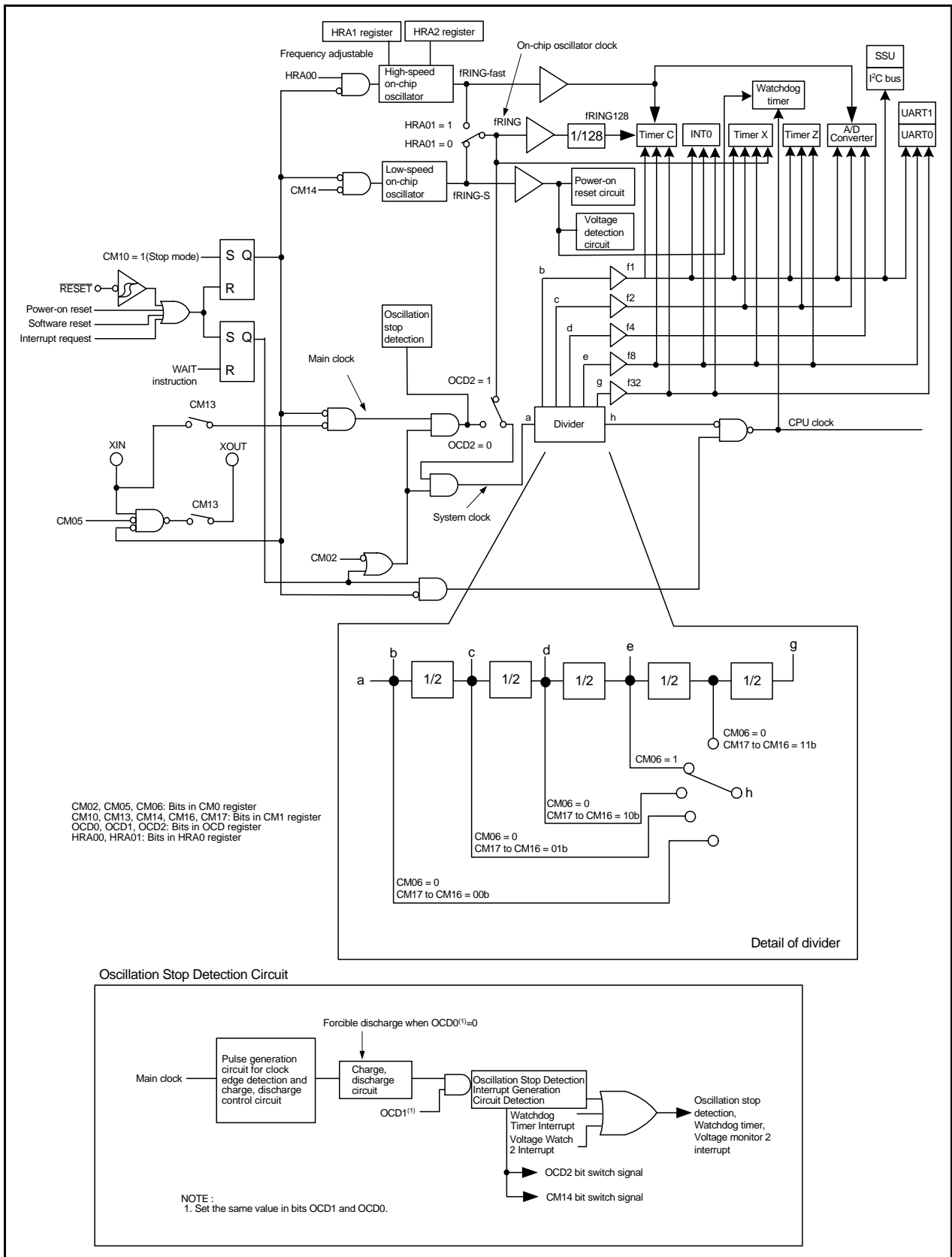


Figure 10.1 Clock Generation Circuit

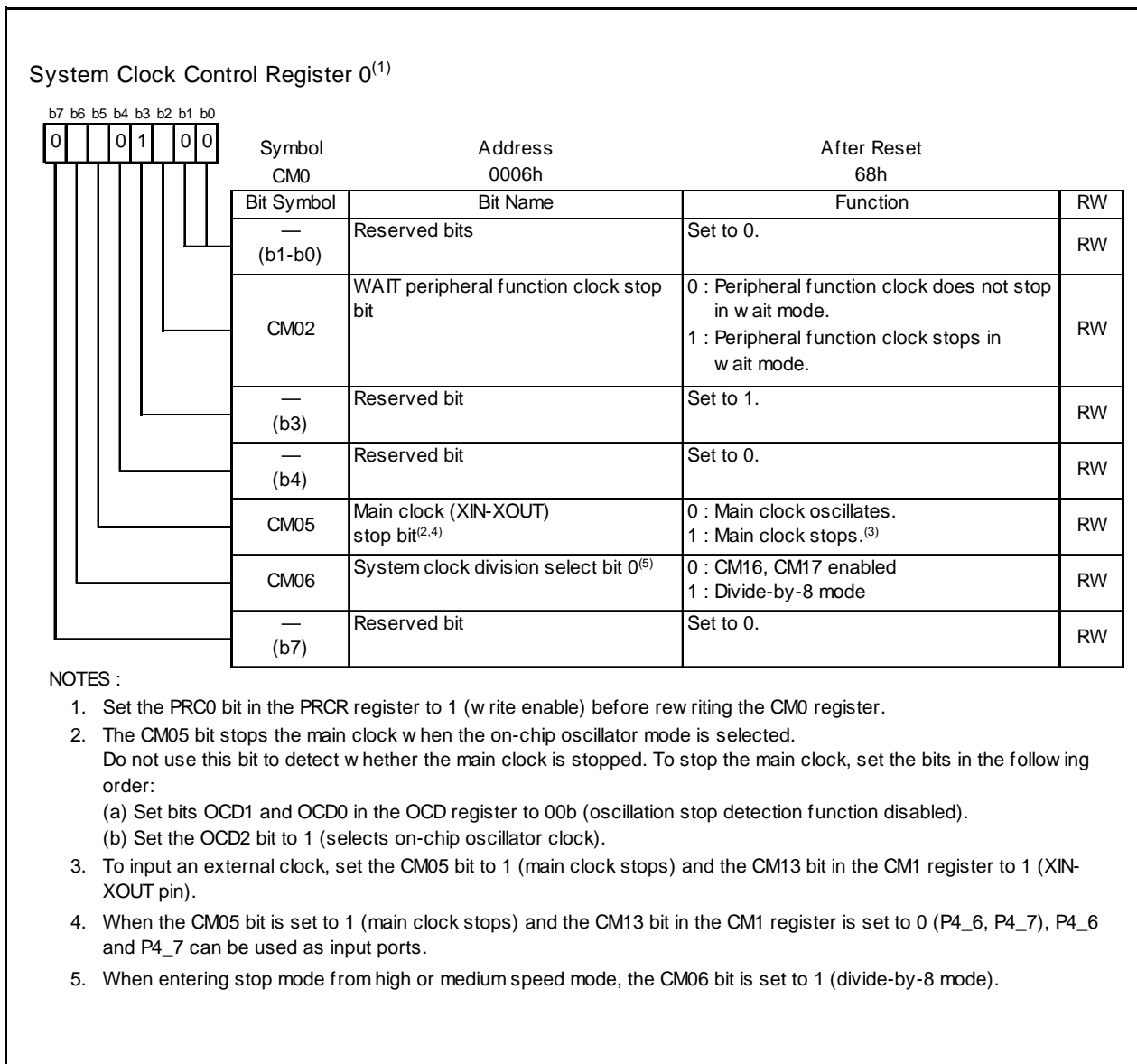


Figure 10.2 CM0 Register

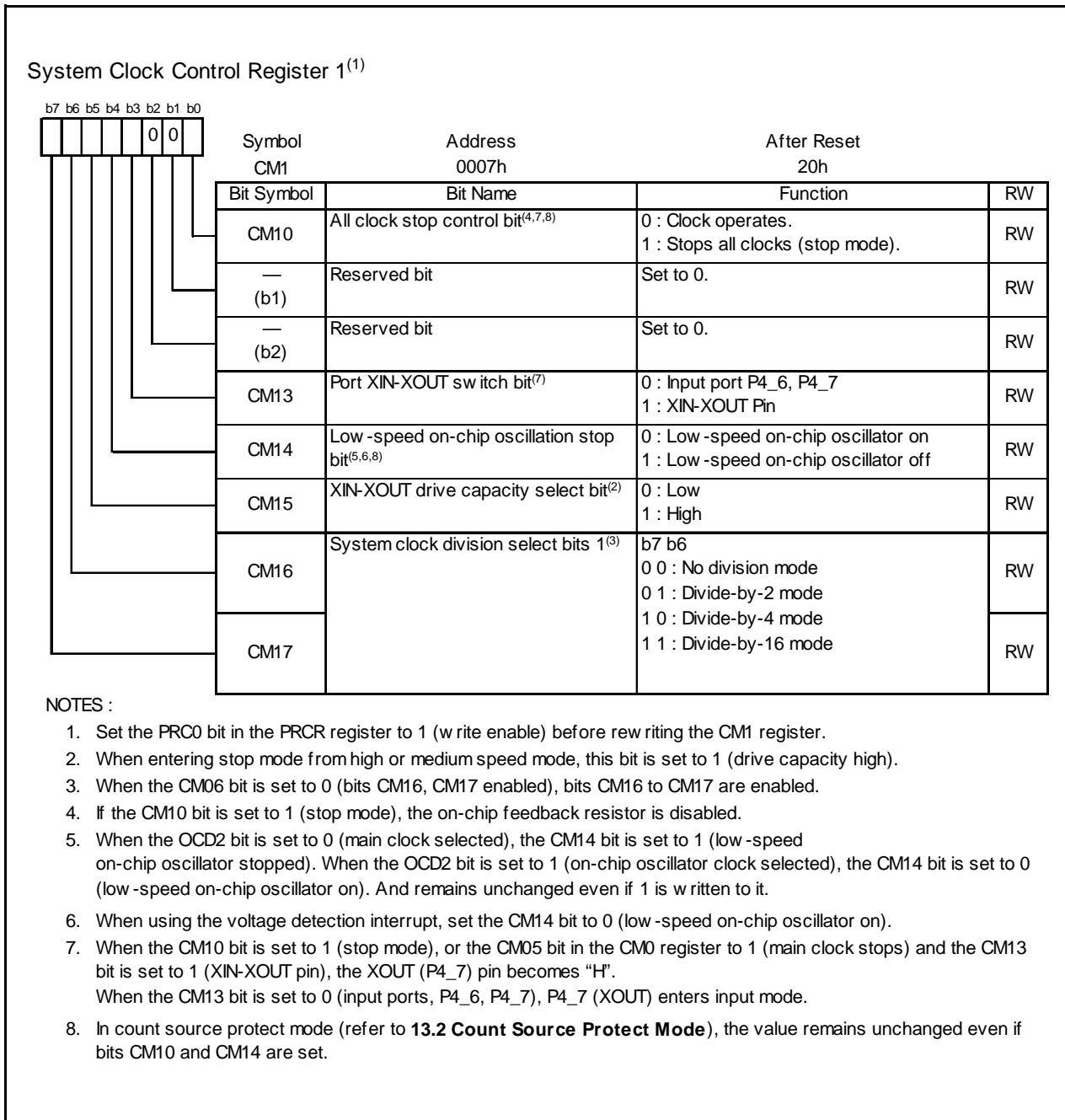


Figure 10.3 CM1 Register

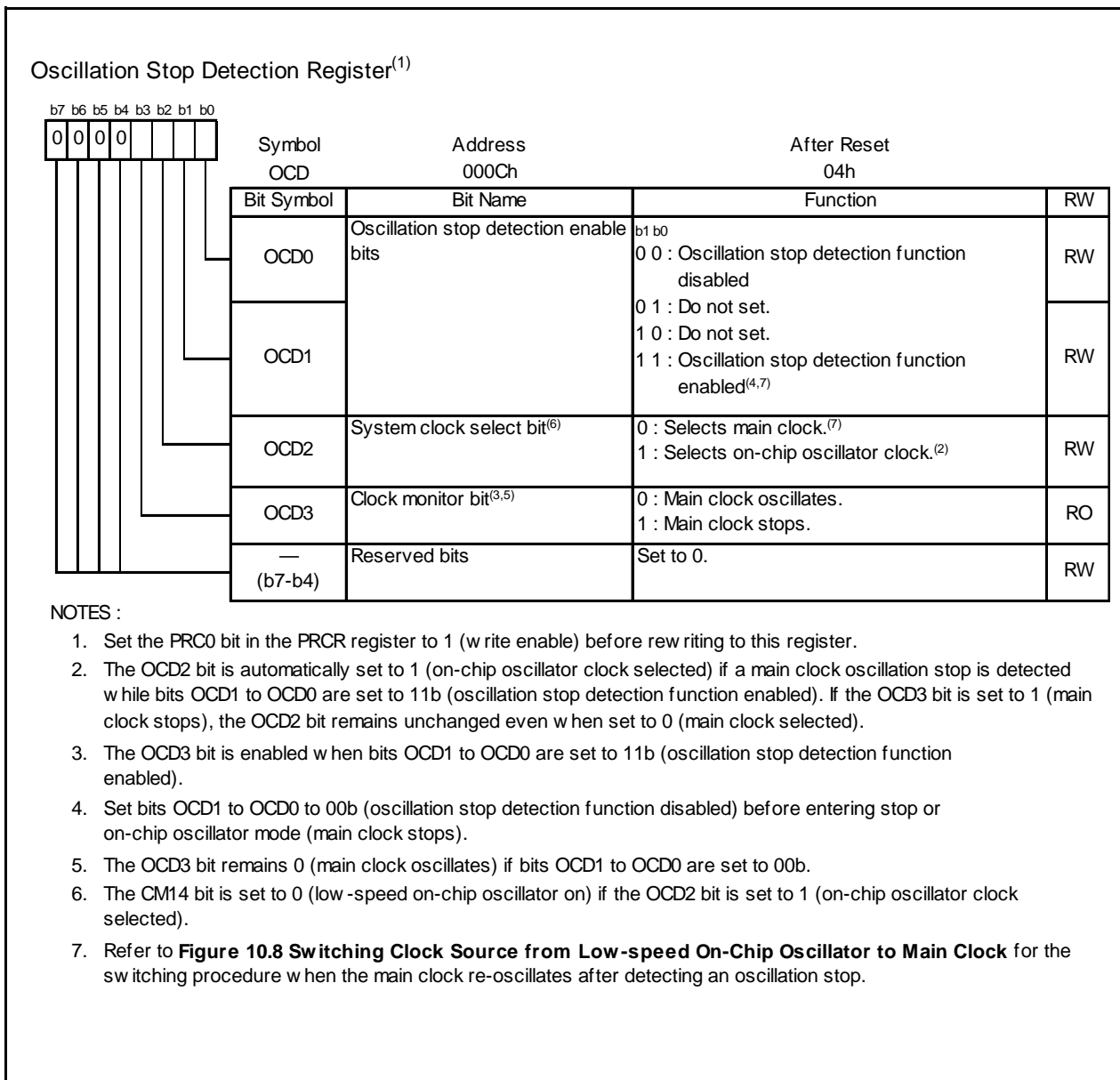


Figure 10.4 OCD Register

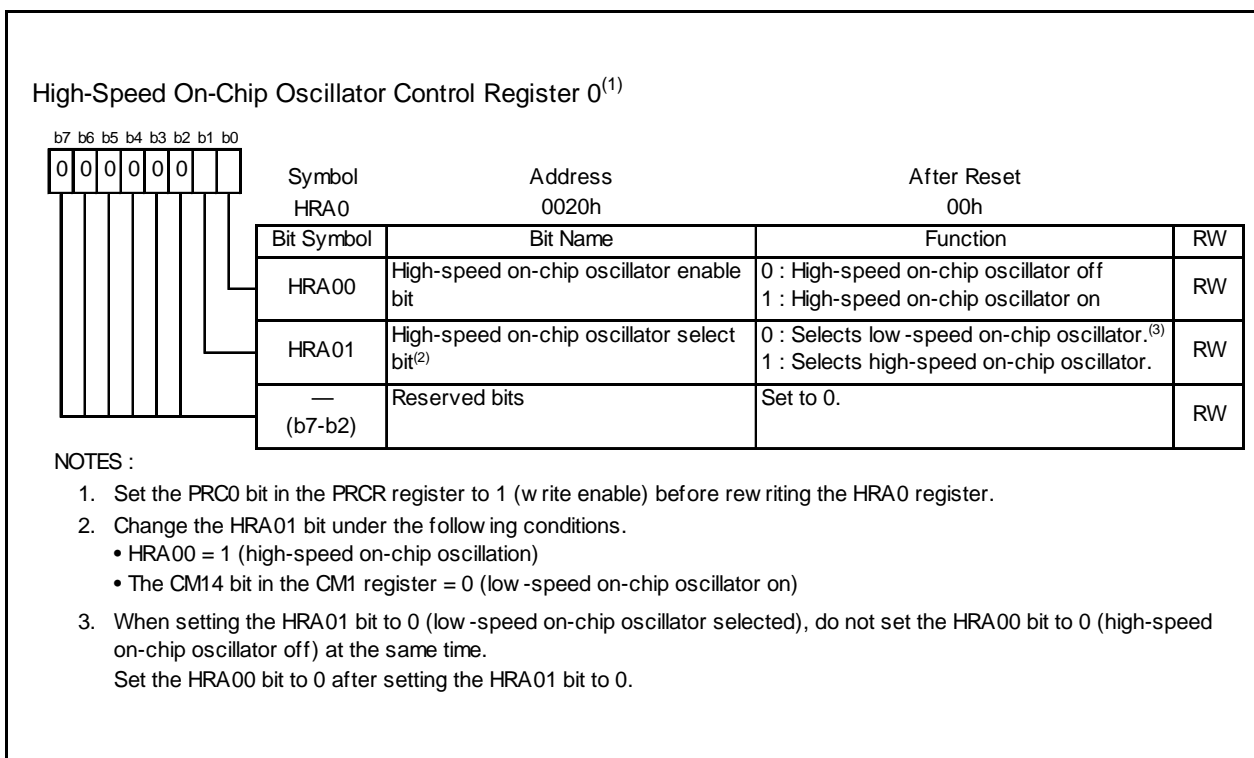


Figure 10.5 HRA0 Register

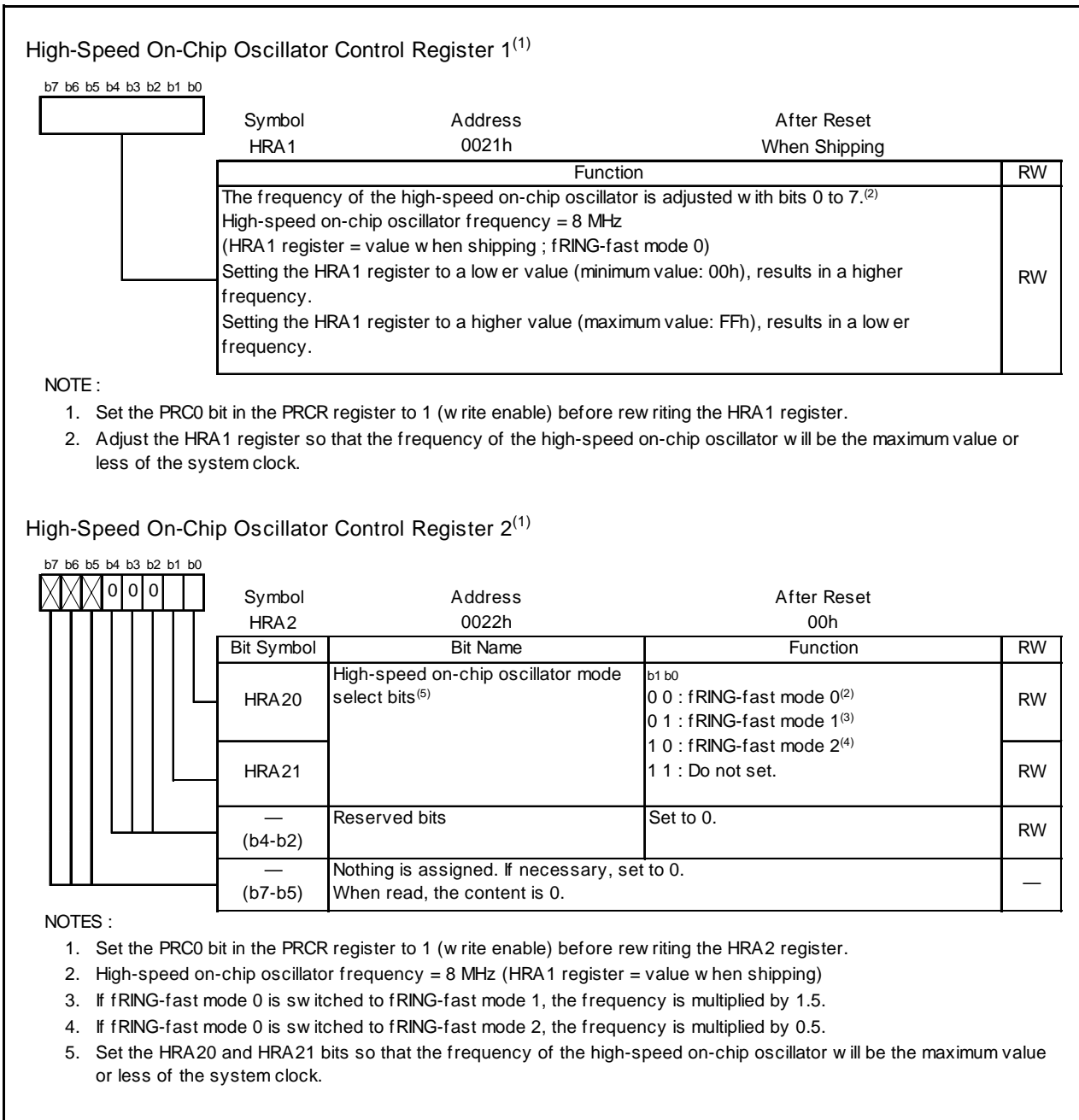


Figure 10.6 Registers HRA1 and HRA2

The clocks generated by the clock generation circuits are described below.

10.1 Main Clock

This clock is supplied by a main clock oscillation circuit. This clock is used as the clock source for the CPU and peripheral function clocks. The main clock oscillation circuit is configured by connecting a resonator between the XIN and XOUT pins. The main clock oscillation circuit includes an on-chip feedback resistor, which is disconnected from the oscillation circuit in stop mode in order to reduce the amount of power consumed by the chip. The main clock oscillation circuit may also be configured by feeding an externally generated clock to the XIN pin. Figure 10.7 shows Examples of Main Clock Connection Circuit. During reset and after reset, the main clock stops.

The main clock starts oscillating when the CM05 bit in the CM0 register is set to 0 (main clock on) after setting the CM13 bit in the CM1 register to 1 (XIN- XOUT pin).

To use the main clock for the CPU clock source, set the OCD2 bit in the OCD register to 0 (selects main clock) after the main clock is oscillating stably.

The power consumption can be reduced by setting the CM05 bit in the CM0 register to 1 (main clock stops) if the OCD2 bit is set to 1 (select on-chip oscillator clock).

When an external clock is input to the XIN pin, the main clock does not stop if the CM05 bit is set to 1. If necessary, use an external circuit to stop the clock.

In stop mode, all clocks including the main clock stop. Refer to **10.4 Power Control** for details.

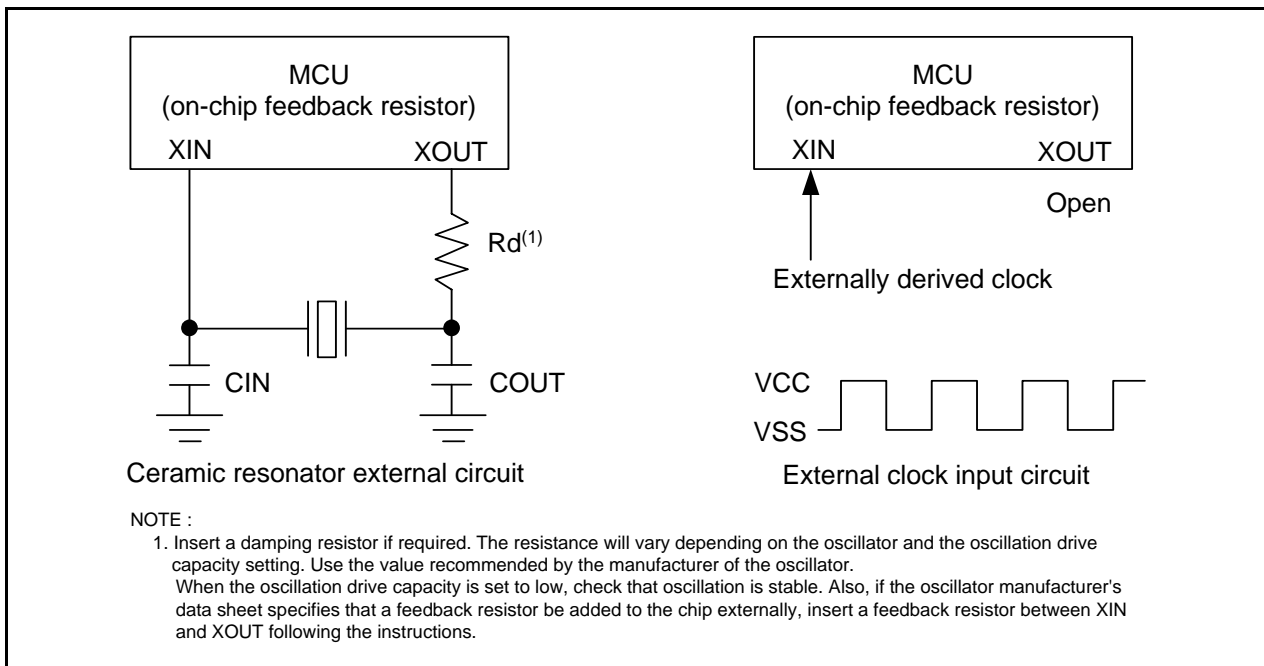


Figure 10.7 Examples of Main Clock Connection Circuit

10.2 On-Chip Oscillator Clocks

These clocks are supplied by the on-chip oscillators (high-speed on-chip oscillator and a low-speed on-chip oscillator). The on-chip oscillator clock is selected by the HRA01 bit in the HRA0 register.

10.2.1 Low-Speed On-Chip Oscillator Clock

The clock generated by the low-speed on-chip oscillator is used as the clock source for the CPU clock, peripheral function clock, fRING, fRING128, and fRING-S.

After reset, the on-chip oscillator clock generated by the low-speed on-chip oscillator divided by 8 is selected as the CPU clock.

If the main clock stops oscillating when bits OCD1 to OCD0 in the OCD register are set to 11b (oscillation stop detection function enabled), the low-speed on-chip oscillator automatically starts operating, supplying the necessary clock for the MCU.

The frequency of the low-speed on-chip oscillator varies depending on the supply voltage and the operating ambient temperature. Application products must be designed with sufficient margin to allow for the frequency changes.

10.2.2 High-Speed On-Chip Oscillator Clock

The clock generated by the high-speed on-chip oscillator is used as the clock source for the CPU clock, peripheral function clock, fRING, fRING128, and fRING1-fast.

After reset, the on-chip oscillator clock generated by the high-speed on-chip oscillator stops. Oscillation is started by setting the HRA00 bit in the HRA0 register to 1 (high-speed on-chip oscillator on). The frequency can be adjusted by registers HRA1 and HRA2.

Since there are differences in delay among the bits in the HRA1 register, make adjustments by changing the settings of individual bits.

The high-speed on-chip oscillator frequency may be changed in flash memory CPU rewrite mode during auto-program operation or auto-erase operation. Refer to **10.6.5 High-Speed On-Chip Oscillator Clock** for details.

10.3 CPU Clock and Peripheral Function Clock

There are a CPU clock to operate the CPU and a peripheral function clock to operate the peripheral functions. Refer to **Figure 10.1 Clock Generation Circuit**.

10.3.1 System Clock

The system clock is the clock source for the CPU and peripheral function clocks. Either the main clock or the on-chip oscillator clock can be selected.

10.3.2 CPU Clock

The CPU clock is an operating clock for the CPU and watchdog timer.

The system clock can be divided by 1 (no division), 2, 4, 8, or 16 to produce the CPU clock. Use the CM06 bit in the CM0 register and bits CM16 to CM17 in the CM1 register to select the value of the division.

After reset, the low-speed on-chip oscillator clock divided by 8 provides the CPU clock. When entering stop mode from high-speed or medium-speed mode, the CM06 bit is set to 1 (divide-by-8 mode).

10.3.3 Peripheral Function Clock (f1, f2, f4, f8, f32)

The peripheral function clock is the operating clock for the peripheral functions.

The clock f_i ($i = 1, 2, 4, 8,$ and 32) is generated by the system clock divided by i . The clock f_i is used for timers X, Y, Z, and C, the serial interface and the A/D converter.

When the WAIT instruction is executed after setting the CM02 bit in the CM0 register to 1 (peripheral function clock stops in wait mode), the clock f_i stops.

10.3.4 fRING and fRING128

fRING and fRING128 are operating clocks for the peripheral functions.

fRING runs at the same frequency as the on-chip oscillator clock and can be used as the source for timer X.

fRING128 is generated from fRING by dividing it by 128, and it can be used as timer C.

When the WAIT instruction is executed, the clocks fRING and fRING128 do not stop.

10.3.5 fRING-fast

fRING-fast is used as the count source for timer C. fRING-fast is generated by the high-speed on-chip oscillator and supplied by setting the HRA00 bit to 1.

When the WAIT instruction is executed, the clock fRING-fast does not stop.

10.3.6 fRING-S

fRING-S is an operating clock for the watchdog timer and voltage detection circuit. fRING-S is supplied by setting the CM14 bit to 0 (low-speed on-chip oscillator on) and uses the clock generated by the low-speed on-chip oscillator. When the WAIT instruction is executed or in count source protect mode of the watchdog timer, fRING-S does not stop.

10.4 Power Control

There are three power control modes. All modes other than wait mode and stop mode are referred to as standard operating mode.

10.4.1 Standard Operating Mode

Standard operating mode is further separated into four modes.

In standard operating mode, the CPU clock and the peripheral function clock are supplied to operate the CPU and the peripheral function clocks. Power consumption control is enabled by controlling the CPU clock frequency. The higher the CPU clock frequency, the more processing power increases. The lower the CPU clock frequency, the more power consumption decreases. When unnecessary oscillator circuits stop, power consumption is further reduced.

Before the clock sources for the CPU clock can be switched over, the new clock source needs to be oscillating and stable. If the new clock source is the main clock, allow sufficient wait time in a program until oscillation is stabilized before exiting.

Table 10.2 Settings and Modes of Clock Associated Bits

Modes		OCD Register	CM1 Register		CM0 Register	
		OCD2	CM17, CM16	CM13	CM06	CM05
High-speed mode		0	00b	1	0	0
Medium-speed mode	Divide-by-2	0	01b	1	0	0
	Divide-by-4	0	10b	1	0	0
	Divide-by-8	0	–	1	1	0
	Divide-by-16	0	11b	1	0	0
High-speed and low-speed on-chip oscillator modes ⁽¹⁾	No division	1	00b	–	0	–
	Divide-by-2	1	01b	–	0	–
	Divide-by-4	1	10b	–	0	–
	Divide-by-8	1	–	–	1	–
	Divide-by-16	1	11b	–	0	–

NOTE:

1. The low-speed on-chip oscillator is used as the on-chip oscillator clock when the CM14 bit in the CM1 register is set to 0 (low-speed on-chip oscillator on) and the HRA01 bit in the HRA0 register is set to 0. The high-speed on-chip oscillator is used as the on-chip oscillator clock when the HRA00 bit in the HRA0 register is set to 1 (high-speed on-chip oscillator A on) and the HRA01 bit in the HRA0 register is set to 1.

10.4.1.1 High-Speed Mode

The main clock divided by 1 (no division) provides the CPU clock. If the CM14 bit is set to 0 (low-speed on-chip oscillator on) or the HRA00 bit in the HRA0 register is set to 1 (high-speed on-chip oscillator on), fRING and fRING128 can be used as timers X and C. When the HRA00 bit is set to 1, fRING-fast can be used as timer C. When the CM14 bit is set to 0 (low-speed on-chip oscillator on), fRING-S can be used for the watchdog timer and voltage detection circuit.

10.4.1.2 Medium-Speed Mode

The main clock divided by 2, 4, 8, or 16 provides the CPU clock. If the CM14 bit is set to 0 (low-speed on-chip oscillator on) or the HRA00 bit in the HRA0 register is set to 1 (high-speed on-chip oscillator on), fRING and fRING128 can be used as timers X and C. When the HRA00 bit is set to 1, fRING-fast can be used as timer C. When the CM14 bit is set to 0 (low-speed on-chip oscillator on), fRING-S can be used for the watchdog timer and voltage detection circuit.

10.4.1.3 High-Speed and Low-Speed On-Chip Oscillator Modes

The on-chip oscillator clock divided by 1 (no division), 2, 4, 8, or 16 provides the CPU clock. The on-chip oscillator clock is also the clock source for the peripheral function clocks. When the HRA00 bit is set to 1, fRING-fast can be used as timer C. When the CM14 bit is set to 0 (low-speed on-chip oscillator on), fRING-S can be used for the watchdog timer and voltage detection circuit.

10.4.2 Wait Mode

Since the CPU clock stops in wait mode, the CPU which operates using the CPU clock and the watchdog timer when count source protection mode is disabled stop. The main clock and on-chip oscillator clock do not stop and the peripheral functions using these clocks continue operating.

10.4.2.1 Peripheral Function Clock Stop Function

If the CM02 bit is set to 1 (peripheral function clock stops in wait mode), the f1, f2, f4, f8, and f32 clocks stop in wait mode. This reduces power consumption.

10.4.2.2 Entering Wait Mode

The MCU enters wait mode when the WAIT instruction is executed.

10.4.2.3 Pin Status in Wait Mode

The status before wait mode was entered is maintained.

10.4.2.4 Exiting Wait Mode

The MCU exits wait mode by a hardware reset or a peripheral function interrupt. To use a hardware reset to exit wait mode, set bits ILVL2 to ILVL0 for the peripheral function interrupts to 000b (interrupts disabled) before executing the WAIT instruction.

The peripheral function interrupts are affected by the CM02 bit. When the CM02 bit is set to 0 (peripheral function clock does not stop in wait mode), all peripheral function interrupts can be used to exit wait mode. When the CM02 bit is set to 1 (peripheral function clock stops in wait mode), the peripheral functions using the peripheral function clock stop operating and the peripheral functions operated by external signals can be used to exit wait mode.

Table 10.3 lists Interrupts to Exit Wait Mode and Usage Conditions.

Table 10.3 Interrupts to Exit Wait Mode and Usage Conditions

Interrupt	CM02 = 0	CM02 = 1
Serial interface interrupt	Usable when operating with internal or external clock	Usable when operating with external clock
Key input interrupt	Usable	Usable
A/D conversion interrupt	Usable in one-shot mode	(Do not use)
Timer X interrupt	Usable in all modes	Usable in event counter mode
Timer Z interrupt	Usable in all modes	(Do not use)
Timer C interrupt	Usable in all modes	(Do not use)
$\overline{\text{INT}}$ interrupt	Usable	Usable ($\overline{\text{INT0}}$ and $\overline{\text{INT3}}$ can be used if there is no filter.)
Voltage monitor 2 interrupt	Usable	Usable
Oscillation stop detection interrupt	Usable	(Do not use)

Figure 10.8 shows the Time from Wait Mode to Interrupt Routine Execution.

To use a peripheral function interrupt to exit wait mode, set up the following before executing the WAIT instruction.

- (1) Set the interrupt priority level in bits ILVL2 to ILVL0 in the interrupt control registers of the peripheral function interrupts to be used for exiting wait mode. Set bits ILVL2 to ILVL0 of the peripheral function interrupts that are not to be used for exiting wait mode to 000b (interrupt disabled).
- (2) Set the I flag to 1.
- (3) Operate the peripheral function to be used for exiting wait mode.

When exiting by a peripheral function interrupt, the interrupt sequence is executed when an interrupt request is generated and the CPU clock supply is started.

The CPU clock, when exiting wait mode by a peripheral function interrupt, is the same clock as the CPU clock when the WAIT instruction is executed.

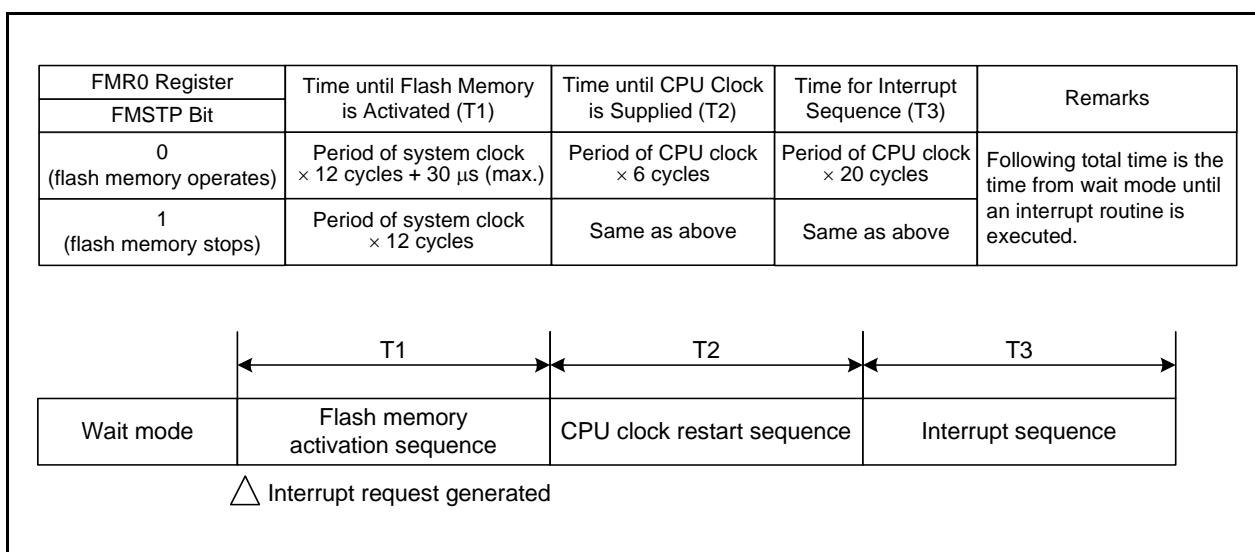


Figure 10.8 Time from Wait Mode to Interrupt Routine Execution

10.4.3 Stop Mode

Since the oscillator circuits stop in stop mode, the CPU clock and peripheral function clock stop and the CPU and peripheral functions that use these clocks stop operating. The least power required to operate the MCU is in stop mode. If the voltage applied to the VCC pin is V_{RAM} or more, the contents of internal RAM is maintained.

The peripheral functions clocked by external signals continue operating. Table 10.4 lists Interrupts to Exit Stop Mode and Usage Conditions.

Table 10.4 Interrupts to Exit Stop Mode and Usage Conditions

Interrupt	Usage Conditions
Key input interrupt	–
$\overline{\text{INT0}}$ to $\overline{\text{INT1}}$ interrupts	$\overline{\text{INT0}}$ can be used if there is no filter.
$\overline{\text{INT3}}$ interrupt	No filter. Interrupt request is generated at $\overline{\text{INT3}}$ input (TCC06 bit in TCC0 register is set to 1).
Timer X interrupt	When external pulse is counted in event counter mode.
Serial interface interrupt	When external clock is selected.
Voltage monitor 2 interrupt	Usable in digital filter disabled mode (VW2C1 bit in VW2C register is set to 1)

10.4.3.1 Entering Stop Mode

The MCU enters stop mode when the CM10 bit in the CM1 register is set to 1 (all clocks stop). At the same time, the CM06 bit in the CM0 register is set to 1 (divide-by-8 mode) and the CM15 bit in the CM10 register is set to 1 (main clock oscillator circuit drive capability high).

When using stop mode, set bits OCD1 to OCD0 to 00b (oscillation stop detection function disabled) before entering stop mode.

10.4.3.2 Pin Status in Stop Mode

The status before wait mode was entered is maintained.

However, when the CM13 bit in the CM1 register is set to 1 (XIN-XOUT pins), the XOUT(P4_7) pin is held “H”. When the CM13 bit is set to 0 (input ports P4_6 and P4_7), the P4_7(XOUT) pin is held in input status.

10.4.3.3 Exiting Stop Mode

The MCU exits stop mode by a hardware reset or peripheral function interrupt.

Figure 10.9 shows the Time from Stop Mode to Interrupt Routine Execution.

When using a hardware reset to exit stop mode, set bits ILVL2 to ILVL0 for the peripheral function interrupts to 000b (interrupts disabled) before setting the CM10 bit to 1.

When using a peripheral function interrupt to exit stop mode, set up the following before setting the CM10 bit to 1.

- (1) Set the interrupt priority level in bits ILVL2 to ILVL0 of the peripheral function interrupts to be used for exiting stop mode. Set bits ILVL2 to ILVL0 of the peripheral function interrupts that are not to be used for exiting stop mode to 000b (interrupt disabled).
- (2) Set the I flag to 1.
- (3) Operate the peripheral function to be used for exiting stop mode.
When exiting by a peripheral function interrupt, the interrupt sequence is executed when an interrupt request is generated and the CPU clock supply is started.

The CPU clock, when exiting stop mode by a peripheral function interrupt, is the divide-by-8 of the clock which was used before stop mode was entered.

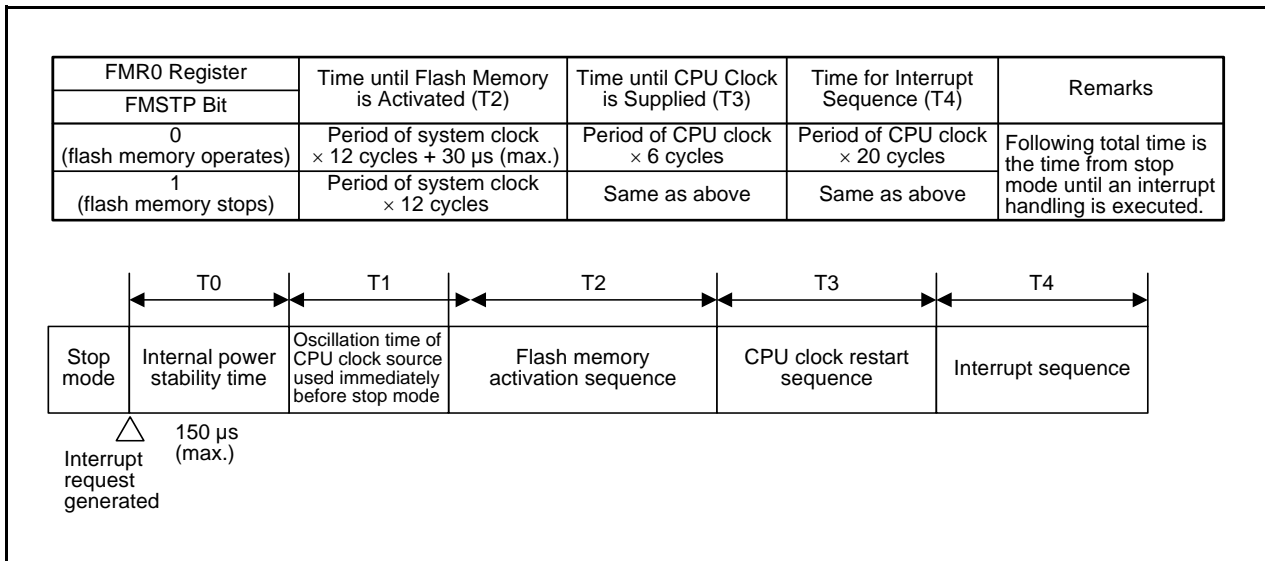


Figure 10.9 Time from Stop Mode to Interrupt Routine Execution

Figure 10.10 shows the State Transitions in Power Control.

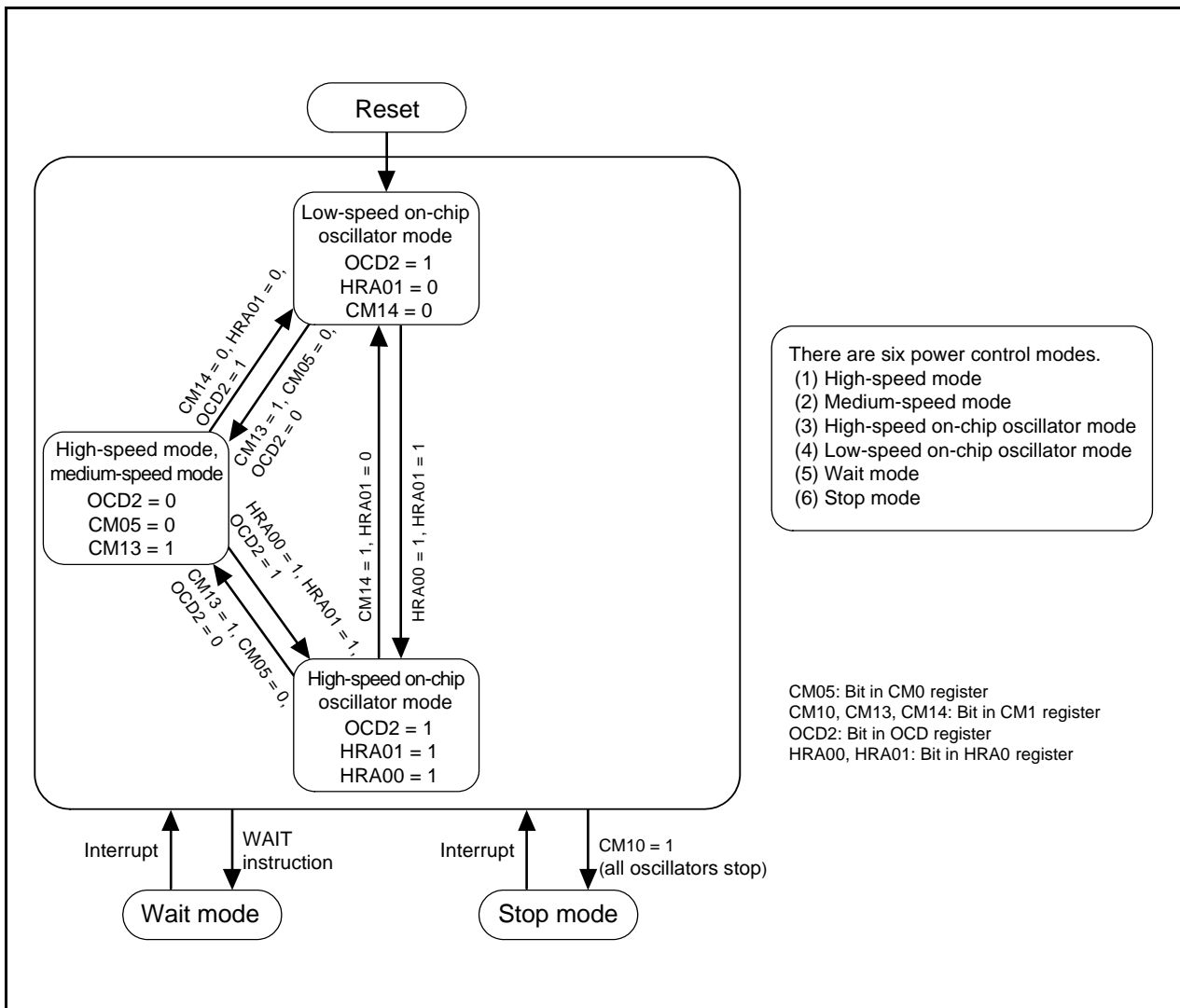


Figure 10.10 State Transitions in Power Control

10.5 Oscillation Stop Detection Function

The oscillation stop detection function detects the stop of the main clock oscillating circuit. The oscillation stop detection function can be enabled and disabled by bits OCD1 to OCD0 in the OCD register.

Table 10.5 lists the Specifications of Oscillation Stop Detection Function.

When the main clock is the CPU clock source and bits OCD1 to OCD0 are set to 11b (oscillation stop detection function enabled), the system is placed in the following state if the main clock stops.

- OCD2 bit in OCD register = 1 (on-chip oscillator clock selected)
- OCD3 bit in OCD register = 1 (main clock stops)
- CM14 bit in CM1 register = 0 (low-speed on-chip oscillator oscillates)
- Oscillation stop detection interrupt request is generated.

Table 10.5 Specifications of Oscillation Stop Detection Function

Item	Specification
Oscillation stop detection clock and frequency bandwidth	$f(XIN) \geq 2 \text{ MHz}$
Enabled condition for oscillation stop detection function	Set bits OCD1 to OCD0 to 11b (oscillation stop detection function enabled).
Operation at oscillation stop detection	Oscillation stop detection interrupt is generated

10.5.1 How to Use Oscillation Stop Detection Function

- The oscillation stop detection interrupt shares a vector with the voltage monitor 2 interrupt, and the watchdog timer interrupt. When using the oscillation stop detection interrupt and watchdog timer interrupt, the interrupt source needs to be determined. Table 10.6 lists Determining Interrupt Source for Oscillation Stop Detection, Watchdog Timer, and Voltage Monitor 2 Interrupts.
- When the main clock restarts after oscillation stop, switch the main clock to the clock source of the CPU clock and peripheral functions by a program.
- Figure 10.11 shows the Procedure for Switching Clock Source from Low-Speed On-Chip Oscillator to Main Clock.
- To enter wait mode while using the oscillation stop detection function, set the CM02 bit to 0 (peripheral function clock does not stop in wait mode).
- Since the oscillation stop detection function is a function for cases where the main clock is stopped by an external cause, set bits OCD1 to OCD0 to 00b (oscillation stop detection function disabled) when the main clock stops or is started by a program (stop mode is selected or the CM05 bit is changed).
- This function cannot be used when the main clock frequency is 2 MHz or below. In this case, set bits OCD1 to OCD0 to 00b (oscillation stop detection function disabled).
- To use the low-speed on-chip oscillator clock for the CPU clock and clock sources of peripheral functions after detecting the oscillation stop, set the HRA01 bit in the HRA0 register to 0 (low-speed on-chip oscillator selected) and bits OCD1 to OCD0 to 11b (oscillation stop detection function enabled).
To use the high-speed on-chip oscillator clock for the CPU clock and clock sources of peripheral functions after detecting the oscillation stop, set the HRA01 bit to 1 (high-speed on-chip oscillator selected) and bits OCD1 to OCD0 to 11b (oscillation stop detection function enabled).

Table 10.6 Determining Interrupt Source for Oscillation Stop Detection, Watchdog Timer, and Voltage Monitor 2 Interrupts

Generated Interrupt Source	Bit Showing Interrupt Cause
Oscillation stop detection ((a) or (b))	(a) OCD3 bit in OCD register = 1
	(b) Bits OCD1 to OCD0 in OCD register = 11b and OCD2 bit = 1
Watchdog timer	VW2C3 bit in VW2C register = 1
Voltage monitor 2	VW2C2 bit in VW2C register = 1

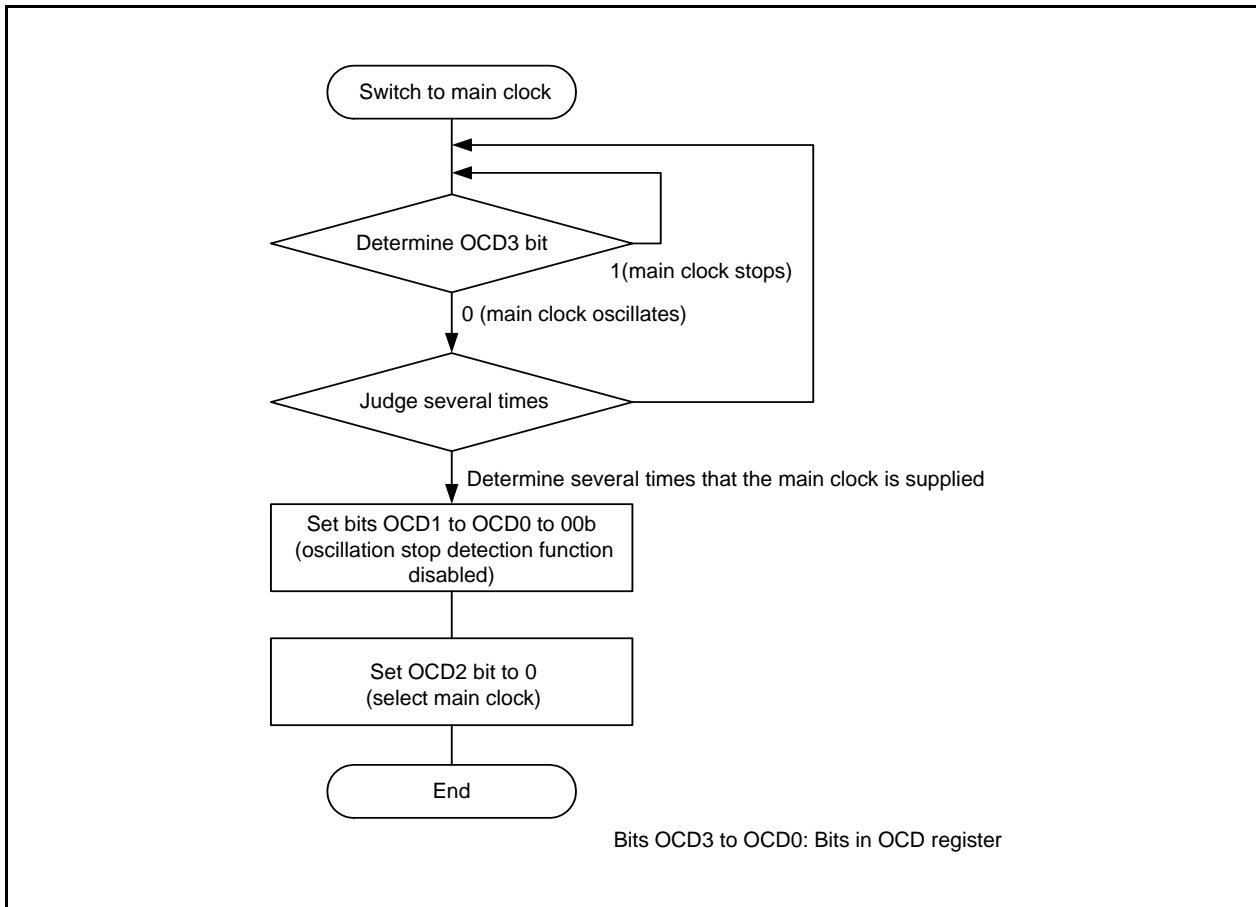


Figure 10.11 Procedure for Switching Clock Source from Low-Speed On-Chip Oscillator to Main Clock

10.6 Notes on Clock Generation Circuit

10.6.1 Stop Mode

When entering stop mode, set the FMR01 bit in the FMR0 register to 0 (CPU rewrite mode disabled) and the CM10 bit in the CM1 register to 1 (stop mode). An instruction queue pre-reads 4 bytes from the instruction which sets the CM10 bit to 1 (stop mode) and the program stops.

Insert at least 4 NOP instructions following the JMP.B instruction after the instruction which sets the CM10 bit to 1.

- Program example to enter stop mode

```

BCLR      1,FMR0      ; CPU rewrite mode disabled
BSET      0,PRCR     ; Protect disabled
FSET      I           ; Enable interrupt
BSET      0,CM1      ; Stop mode
JMP.B     LABEL_001
LABEL_001 :
NOP
NOP
NOP
NOP

```

10.6.2 Wait Mode

When entering wait mode, set the FMR01 bit in the FMR0 register to 0 (CPU rewrite mode disabled) and execute the WAIT instruction. An instruction queue pre-reads 4 bytes from the WAIT instruction and the program stops. Insert at least 4 NOP instructions after the WAIT instruction.

- Program example to execute the WAIT instruction

```

BCLR      1,FMR0     ; CPU rewrite mode disabled
FSET      I           ; Enable interrupt
WAIT      ; Wait mode
NOP
NOP
NOP
NOP

```

10.6.3 Oscillation Stop Detection Function

Since the oscillation stop detection function cannot be used if the main clock frequency is below 2 MHz, set bits OCD1 to OCD0 to 00b (oscillation stop detection function disabled) in this case.

10.6.4 Oscillation Circuit Constants

Ask the manufacturer of the oscillator to specify the best oscillation circuit constants for your system.

10.6.5 High-Speed On-Chip Oscillator Clock

The high-speed on-chip oscillator frequency may be changed up to 10%⁽¹⁾ in flash memory CPU rewrite mode during auto-program operation or auto-erase operation.

The high-speed on-chip oscillator frequency after auto-program operation ends or auto-erase operation ends is held the state before the program command or block erase command is generated. Also, this note is not applicable when the read array command, read status register command, or clear status register command is generated. The application products must be designed with careful considerations for the frequency change.

NOTE:

1. Change ratio to 8 MHz frequency adjusted in shipping.

11. Protection

The protection function protects important registers from being easily overwritten when a program runs out of control. Figure 11.1 shows the PRCR Register. The registers protected by the PRCR register are listed below.

- Registers protected by PRC0 bit: Registers CM0, CM1, and OCD, HRA0, HRA1, and HRA2
- Registers protected by PRC1 bit: Registers PM0 and PM1
- Registers protected by PRC3 bit: Registers VCA2, VW1C, and VW2C

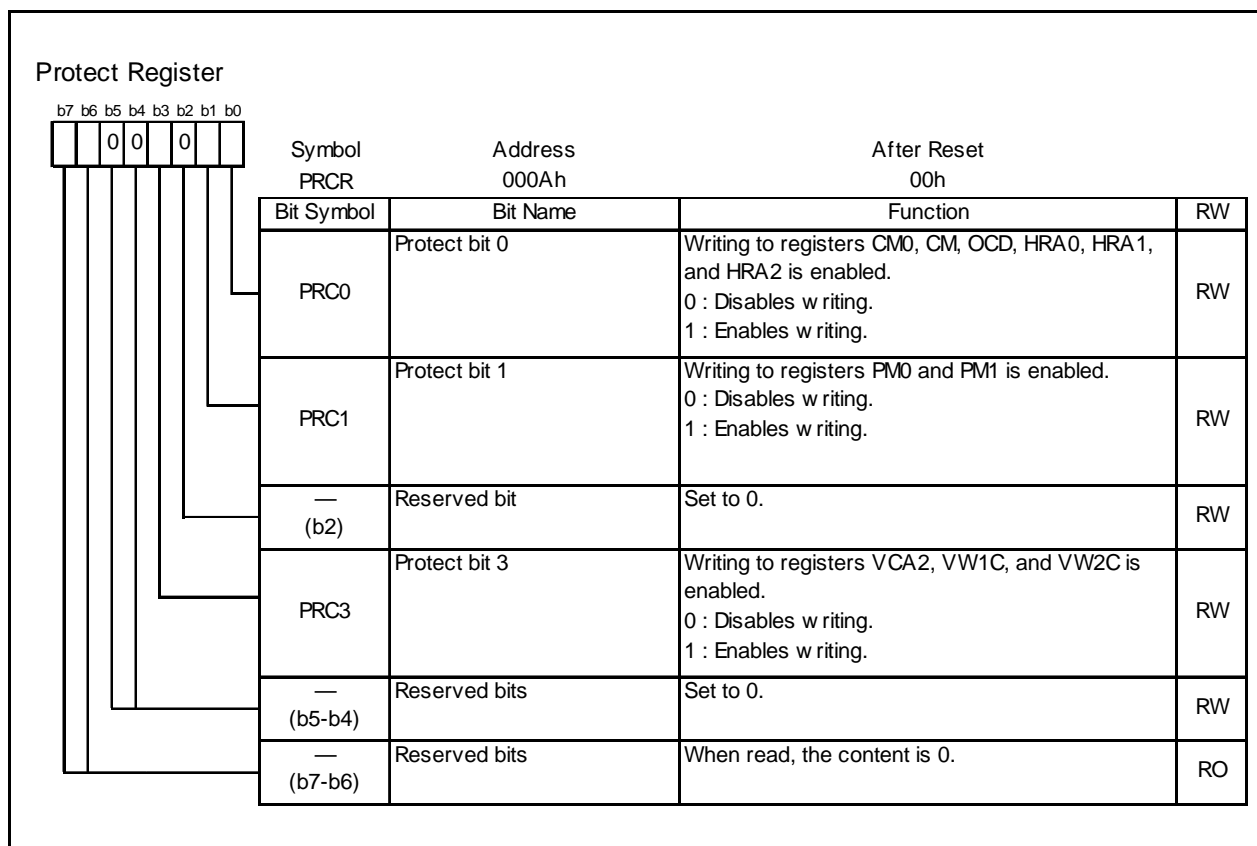


Figure 11.1 PRCR Register

12. Interrupts

12.1 Interrupt Overview

12.1.1 Types of Interrupts

Figure 12.1 shows the types of Interrupts.

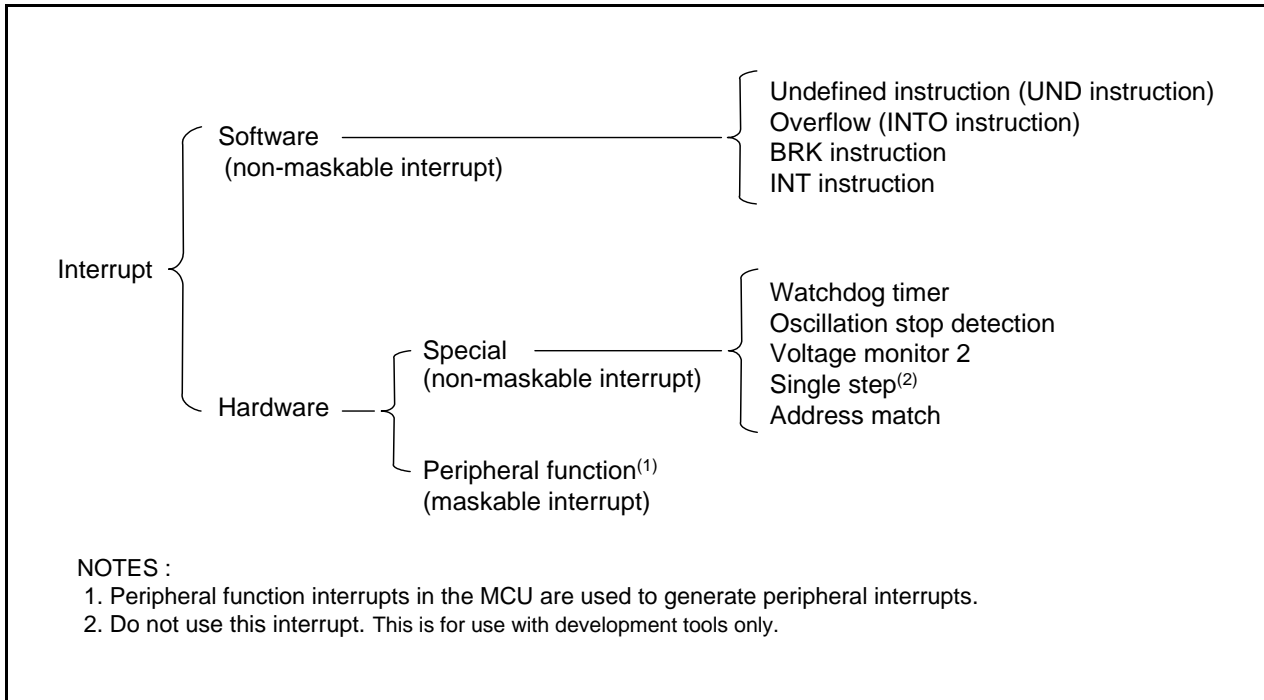


Figure 12.1 Interrupts

- Maskable interrupts: The interrupt enable flag (I flag) enables or disables these interrupts. The interrupt priority order can be changed based on the interrupt priority level.
- Non-maskable interrupts: The interrupt enable flag (I flag) does not enable or disable interrupts. The interrupt priority order cannot be changed based on interrupt priority level.

12.1.2 Software Interrupts

A software interrupt is generated when an instruction is executed. Software interrupts are non-maskable.

12.1.2.1 Undefined Instruction Interrupt

The undefined instruction interrupt is generated when the UND instruction is executed.

12.1.2.2 Overflow Interrupt

The overflow interrupt is generated when the O flag is set to 1 (arithmetic operation overflow) and the INTO instruction is executed. Instructions that set the O flag are: ABS, ADC, ADCF, ADD, CMP, DIV, DIVU, DIVX, NEG, RMPA, SBB, SHA, and SUB.

12.1.2.3 BRK Interrupt

A BRK interrupt is generated when the BRK instruction is executed.

12.1.2.4 INT Instruction Interrupt

An INT instruction interrupt is generated when the INT instruction is executed. The INT instruction can select software interrupt numbers 0 to 63. Software interrupt numbers 4 to 31 are assigned to the peripheral function interrupt. Therefore, the MCU executes the same interrupt routine when the INT instruction is executed as when a peripheral function interrupt is generated. For software interrupt numbers 0 to 31, the U flag is saved to the stack during instruction execution and the U flag is set to 0 (ISP selected) before the interrupt sequence is executed. The U flag is restored from the stack when returning from the interrupt routine. For software interrupt numbers 32 to 63, the U flag does not change state during instruction execution, and the selected SP is used.

12.1.3 Special Interrupts

Special interrupts are non-maskable.

12.1.3.1 Watchdog Timer Interrupt

The watchdog timer interrupt is generated by the watchdog timer. Reset the watchdog timer after the watchdog timer interrupt is generated. For details, refer to **13. Watchdog Timer**.

12.1.3.2 Oscillation Stop Detection Interrupt

The oscillation stop detection interrupt is generated by the oscillation stop detection function. For details of the oscillation stop detection function, refer to **10. Clock Generation Circuit**.

12.1.3.3 Voltage Monitor 2 Interrupt

The voltage monitor 2 interrupt is generated by the voltage detection circuit. For details of the voltage detection circuit, refer to **7. Voltage Detection Circuit**.

12.1.3.4 Single-Step Interrupt, and Address Break Interrupt

Do not use these interrupts. They are for use by development tools only.

12.1.3.5 Address Match Interrupt

The address match interrupt is generated immediately before executing an instruction that is stored at an address indicated by registers RMAD0 to RMAD1 when the AIER0 or AIER1 bit in the AIER register is set to 1 (address match interrupt enable). For details of the address match interrupt, refer to **12.4 Address Match Interrupt**.

12.1.4 Peripheral Function Interrupt

The peripheral function interrupt is generated by the internal peripheral function of the MCU and is a maskable interrupt. Refer to **Table 12.2 Relocatable Vector Tables** for sources of the peripheral function interrupt. For details of peripheral functions, refer to the descriptions of individual peripheral functions.

12.1.5 Interrupts and Interrupt Vectors

There are 4 bytes in each vector. Set the starting address of an interrupt routine in each interrupt vector. When an interrupt request is acknowledged, the CPU branches to the address set in the corresponding interrupt vector. Figure 12.2 shows an Interrupt Vector.

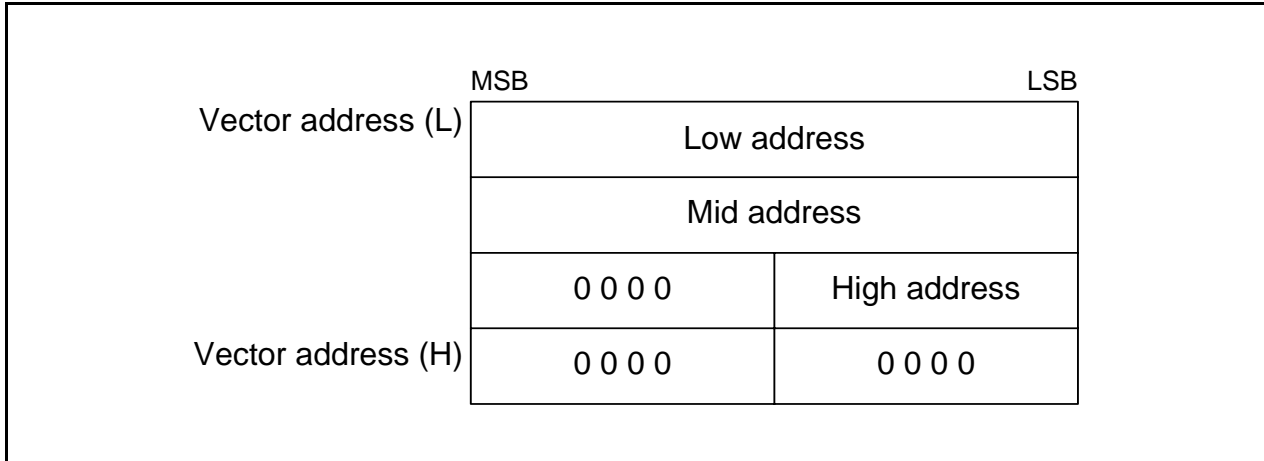


Figure 12.2 Interrupt Vector

12.1.5.1 Fixed Vector Tables

The fixed vector tables are allocated addresses 0FFDCh to 0FFFFh. Table 12.1 lists the Fixed Vector Tables. The vector addresses (H) of fixed vectors are used by the ID code check function. For details, refer to **18.3 Functions to Prevent Rewriting of Flash Memory**.

Table 12.1 Fixed Vector Tables

Interrupt Source	Vector Addresses Address (L) to (H)	Remarks	Reference
Undefined instruction	0FFDCh to 0FFDFh	Interrupt on UND instruction	R8C/Tiny Series Software Manual
Overflow	0FFE0h to 0FFE3h	Interrupt on INTO instruction	
BRK instruction	0FFE4h to 0FFE7h	If the content of address 0FFE7h is FFh, program execution starts from the address shown by the vector in the relocatable vector table.	
Address match	0FFE8h to 0FFEBh		12.4 Address Match Interrupt
Single step ⁽¹⁾	0FFEC h to 0FFEFh		
<ul style="list-style-type: none"> • Watchdog timer • Oscillation stop detection • Voltage monitor 2 	0FFF0h to 0FFF3h		<ul style="list-style-type: none"> • 13. Watchdog Timer • 10. Clock Generation Circuit • 7. Voltage Detection Circuit
Address break ⁽¹⁾	0FFF4h to 0FFF7h		
(Reserved)	0FFF8h to 0FFFBh		
Reset	0FFFC h to 0FFFFh		6. Resets

NOTE:

1. Do not use these interrupts. They are for use by development support tools only.

12.1.5.2 Relocatable Vector Tables

The relocatable vector tables occupy 256 bytes beginning from the starting address set in the INTB register. Table 12.2 lists the Relocatable Vector Tables.

Table 12.2 Relocatable Vector Tables

Interrupt Source	Vector Address ⁽¹⁾ Address (L) to Address (H)	Software Interrupt Number	Reference
BRK instruction ⁽²⁾	+0 to +3 (0000h to 0003h)	0	R8C/Tiny Series Software Manual
(Reserved)		1 to 12	
Key input	+52 to +55 (0034h to 0037h)	13	12.3 Key Input Interrupt
A/D conversion	+56 to +59 (0038h to 003Bh)	14	17. A/D Converter
Clock synchronous serial I/O with chip select / I ² C bus interface ⁽³⁾	+60 to +63 (003Ch to 003Fh)	15	16.2 Clock Synchronous Serial I/O with Chip Select (SSU), 16.3 I ² C bus Interface
Compare 1	+64 to +67 (0040h to 0043h)	16	14.3 Timer C
UART0 transmit	+68 to +71 (0044h to 0047h)	17	15. Serial Interface
UART0 receive	+72 to +75 (0048h to 004Bh)	18	
UART1 transmit	+76 to +79 (004Ch to 004Fh)	19	
UART1 receive	+80 to +83 (0050h to 0053h)	20	
(Reserved)		21	
Timer X	+88 to +91 (0058h to 005Bh)	22	14.1 Timer X
(Reserved)		23	
Timer Z	+96 to +99 (0060h to 0063h)	24	14.2 Timer Z
INT1	+100 to +103 (0064h to 0067h)	25	12.2 $\overline{\text{INT}}$ interrupt
INT3	+104 to +107 (0068h to 006Bh)	26	
Timer C	+108 to +111 (006Ch to 006Fh)	27	14.3 Timer C
Compare 0	+112 to +115 (0070h to 0073h)	28	
INT0	+116 to +119 (0074h to 0077h)	29	12.2 $\overline{\text{INT}}$ interrupt
(Reserved)		30	
(Reserved)		31	
Software interrupt ⁽²⁾	+128 to +131 (0080h to 0083h) to +252 to +255 (00FCh to 00FFh)	32 to 63	R8C/Tiny Series Software Manual

NOTES:

1. These addresses are relative to those in the INTB register.
2. The I flag does not disable these interrupts.
3. The IICSEL bit in the PMR register switches functions.

12.1.6 Interrupt Control

The following describes enabling and disabling the maskable interrupts and setting the priority for acknowledgement. The explanation does not apply to nonmaskable interrupts.

Use the I flag in the FLG register, IPL, and bits ILVL2 to ILVL0 in each interrupt control register to enable or disable maskable interrupts. Whether an interrupt is requested is indicated by the IR bit in each interrupt control register.

Figure 12.3 shows the Interrupt Control Register and Figure 12.4 shows the INT0IC Register

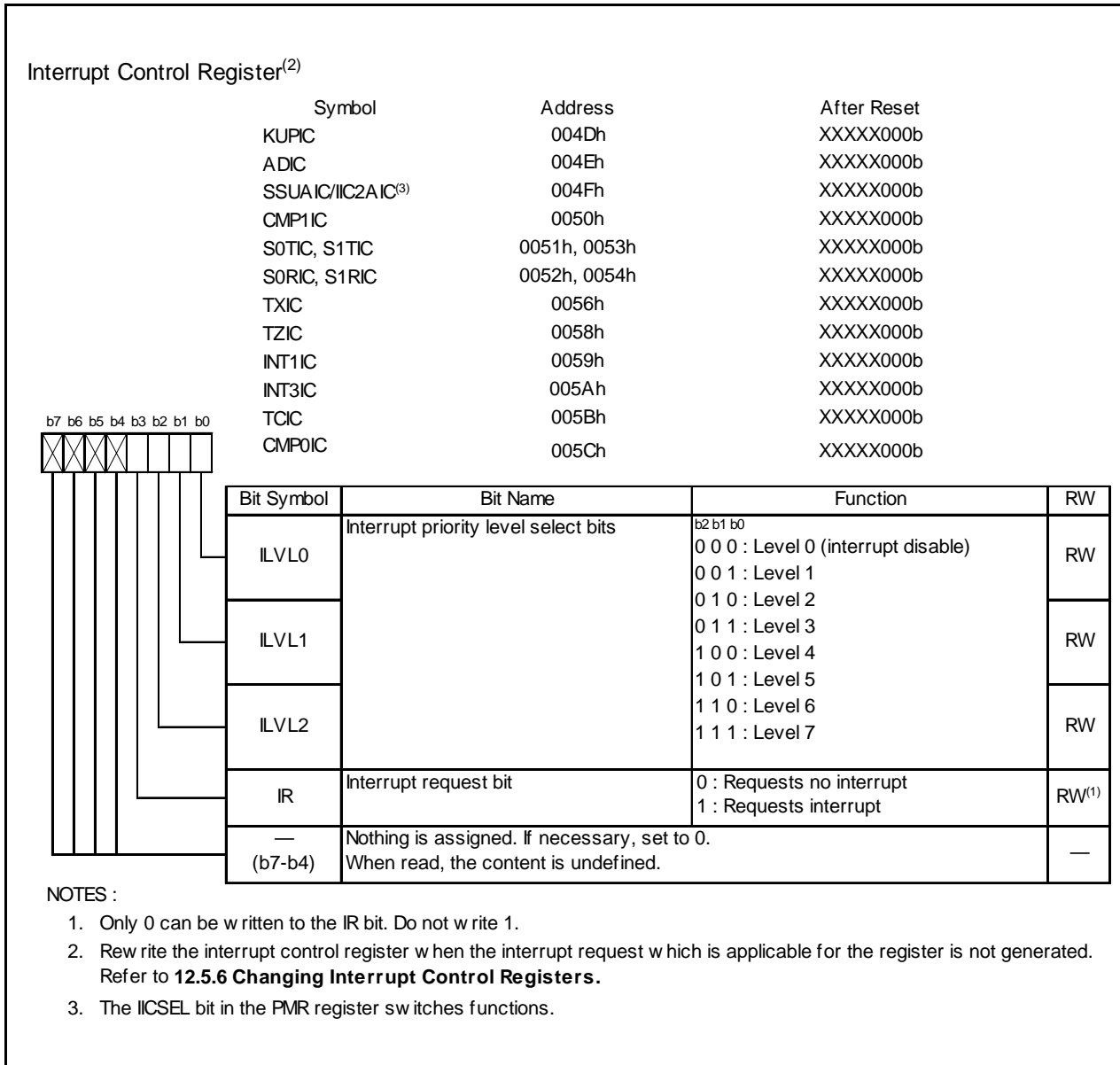


Figure 12.3 Interrupt Control Register

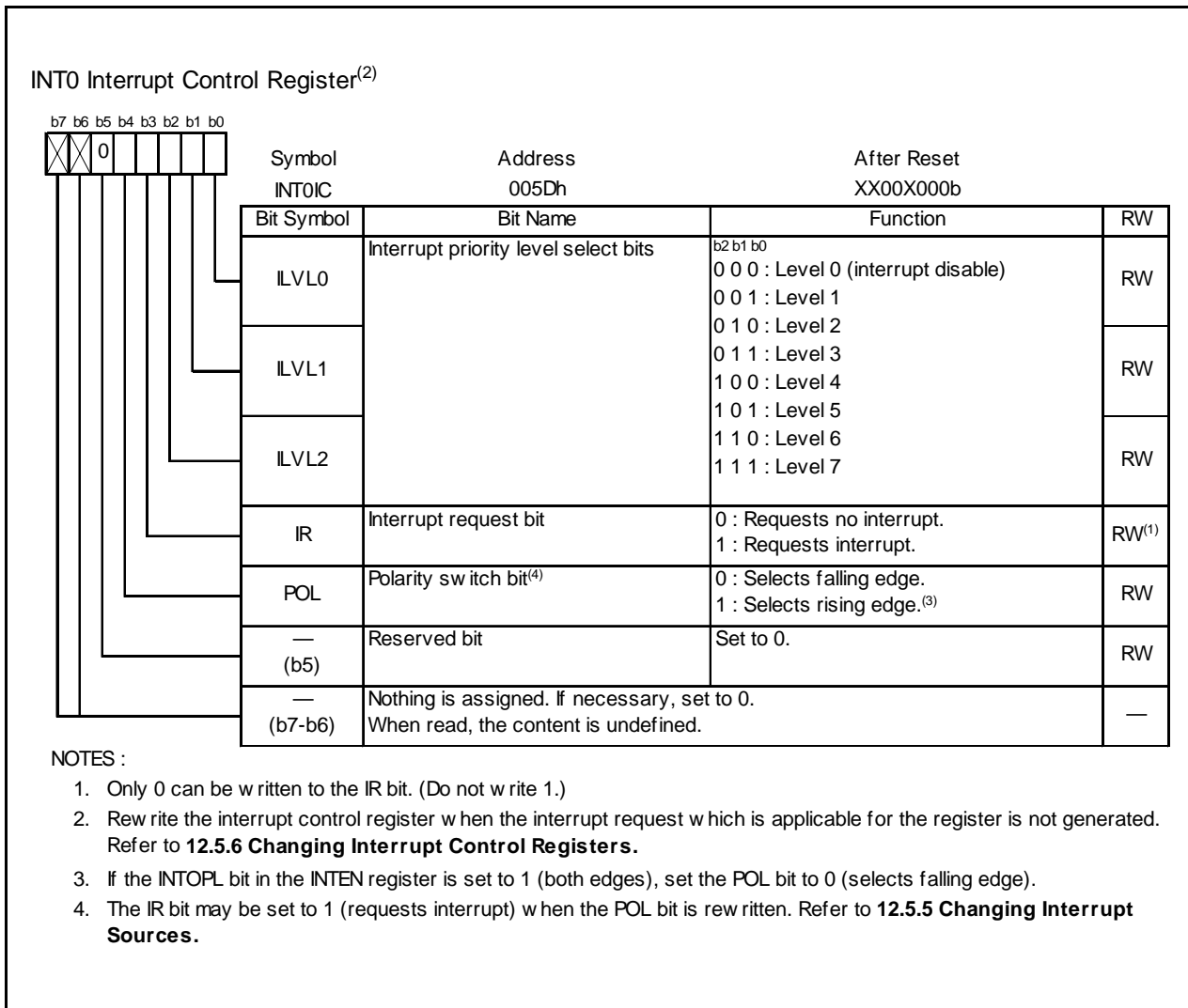


Figure 12.4 INT0IC Register

12.1.6.1 I Flag

The I flag enables or disables maskable interrupts. Setting the I flag to 1 (enabled) enables maskable interrupts. Setting the I flag to 0 (disabled) disables all maskable interrupts.

12.1.6.2 IR Bit

The IR bit is set to 1 (interrupt requested) when an interrupt request is generated. Then, when the interrupt request is acknowledged and the CPU branches to the corresponding interrupt vector, the IR bit is set to 0 (= interrupt not requested).

The IR bit can be set to 0 by a program. Do not write 1 to this bit.

12.1.6.3 Bits ILVL2 to ILVL0 and IPL

Interrupt priority levels can be set using bits ILVL2 to ILVL0.

Table 12.3 lists the Settings of Interrupt Priority Levels and Table 12.4 lists the Interrupt Priority Levels Enabled by IPL.

The following are conditions under which an interrupt is acknowledged:

- I flag = 1
- IR bit = 1
- Interrupt priority level > IPL

The I flag, IR bit, bits ILVL2 to ILVL0, and IPL are independent of each other. They do not affect one another.

Table 12.3 Settings of Interrupt Priority Levels


ILVL2 to ILVL0 Bits	Interrupt Priority Level	Priority Order
000b	Level 0 (interrupt disabled)	—
001b	Level 1	Low  High
010b	Level 2	
011b	Level 3	
100b	Level 4	
101b	Level 5	
110b	Level 6	
111b	Level 7	

Table 12.4 Interrupt Priority Levels Enabled by IPL

IPL	Enabled Interrupt Priority Levels
000b	Interrupt level 1 and above
001b	Interrupt level 2 and above
010b	Interrupt level 3 and above
011b	Interrupt level 4 and above
100b	Interrupt level 5 and above
101b	Interrupt level 6 and above
110b	Interrupt level 7 and above
111b	All maskable interrupts are disabled

12.1.6.4 Interrupt Sequence

An interrupt sequence is performed between an interrupt request acknowledgement and interrupt routine execution.

When an interrupt request is generated while an instruction is being executed, the CPU determines its interrupt priority level after the instruction is completed. The CPU starts the interrupt sequence from the following cycle. However, for the SMOVB, SMOVF, SSTR, or RMPA instruction, if an interrupt request is generated while the instruction is being executed, the MCU suspends the instruction to start the interrupt sequence. The interrupt sequence is performed as indicated below. Figure 12.5 shows the Time Required for Executing Interrupt Sequence.

- (1) The CPU gets interrupt information (interrupt number and interrupt request level) by reading address 00000h. The IR bit for the corresponding interrupt is set to 0 (interrupt not requested).
- (2) The FLG register is saved to a temporary register⁽¹⁾ in the CPU immediately before entering the interrupt sequence.
- (3) The I, D, and U flags in the FLG register are set as follows:
The I flag is set to 0 (interrupts disabled).
The D flag is set to 0 (single-step interrupt disabled).
The U flag is set to 0 (ISP selected).
However, the U flag does not change state if an INT instruction for software interrupt number 32 to 63 is executed.
- (4) The CPU's internal temporary register⁽¹⁾ is saved to the stack.
- (5) The PC is saved to the stack.
- (6) The interrupt priority level of the acknowledged interrupt is set in the IPL.
- (7) The starting address of the interrupt routine set in the interrupt vector is stored in the PC.

After the interrupt sequence is completed, instructions are executed from the starting address of the interrupt routine.

NOTE:

1. This register cannot be used by user.

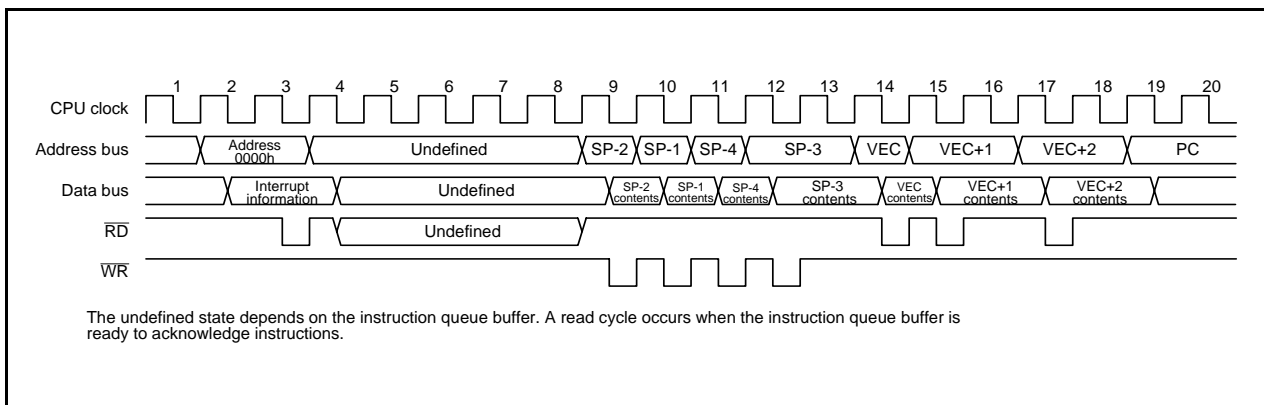


Figure 12.5 Time Required for Executing Interrupt Sequence

12.1.6.5 Interrupt Response Time

Figure 12.6 shows the Interrupt Response Time. The interrupt response time is the period between an interrupt request generation and the execution of the first instruction in the interrupt routine. The interrupt response time includes the period between interrupt request generation and the completion of execution of the instruction (refer to (a) in Figure 12.6) and the period required to perform the interrupt sequence (20 cycles, see (b) in Figure 12.6).

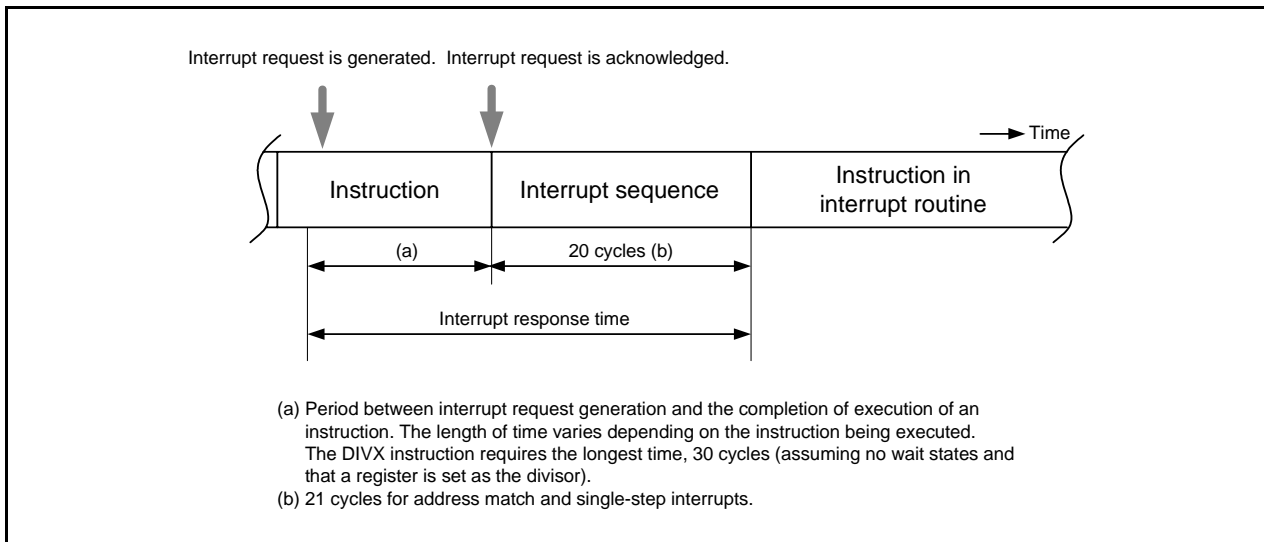


Figure 12.6 Interrupt Response Time

12.1.6.6 IPL Change when Interrupt Request is Acknowledged

When an interrupt request of a maskable interrupt is acknowledged, the interrupt priority level of the acknowledged interrupt is set in the IPL.

When a software interrupt or special interrupt request is acknowledged, the level listed in Table 12.5 is set in the IPL. Table 12.5 lists the IPL Value When a Software or Special Interrupt Is Acknowledged.

Table 12.5 IPL Value When a Software or Special Interrupt Is Acknowledged

Interrupt Source	Value Set in IPL
Watchdog timer, oscillation stop detection, voltage monitor 2	7
Software, address match, single-step, address break	Not changed

12.1.6.7 Saving a Register

In the interrupt sequence, the FLG register and PC are saved to the stack.

After an extended 16 bits, 4 high-order bits in the PC and 4 high-order (IPL) and 8 low-order bits in the FLG register, are saved to the stack, the 16 low-order bits in the PC are saved. Figure 12.7 shows the Stack State Before and After Acknowledgement of Interrupt Request.

The other necessary registers are saved by a program at the beginning of the interrupt routine. The PUSHM instruction can save several registers in the register bank being currently used⁽¹⁾ with a single instruction.

NOTE:

1. Selectable from registers R0, R1, R2, R3, A0, A1, SB, and FB.

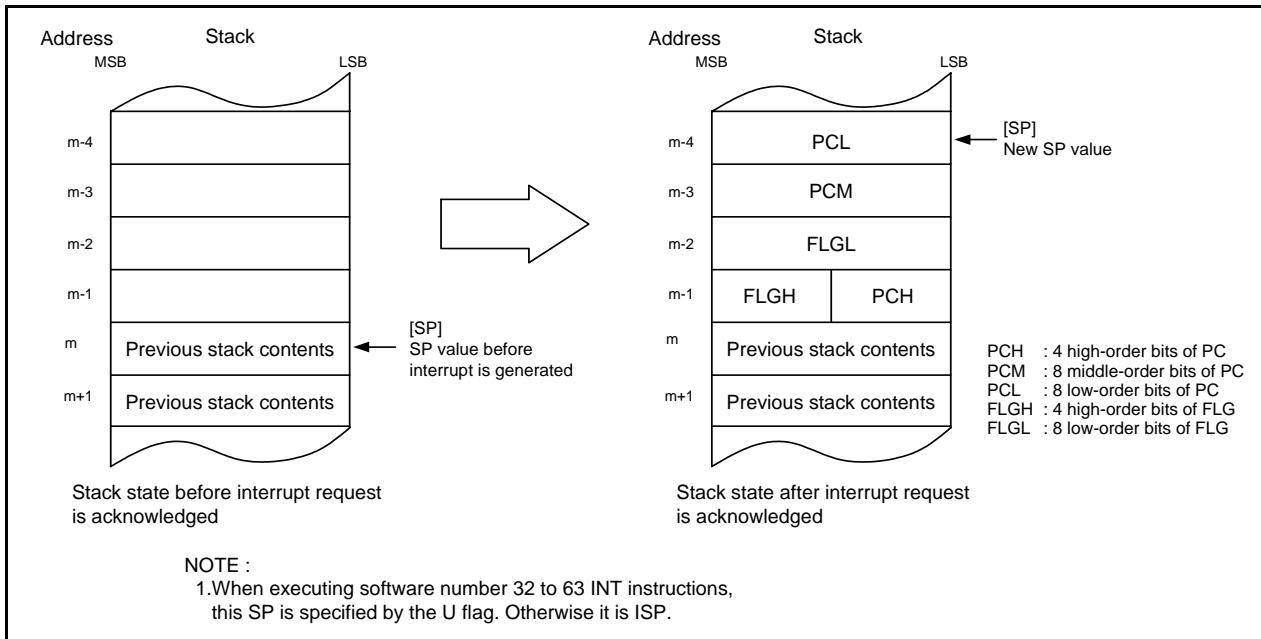


Figure 12.7 Stack State Before and After Acknowledgement of Interrupt Request

The register saving operation, which is performed as part of the interrupt sequence, saved in 8 bits at a time in four steps. Figure 12.8 shows the Register Saving Operation.

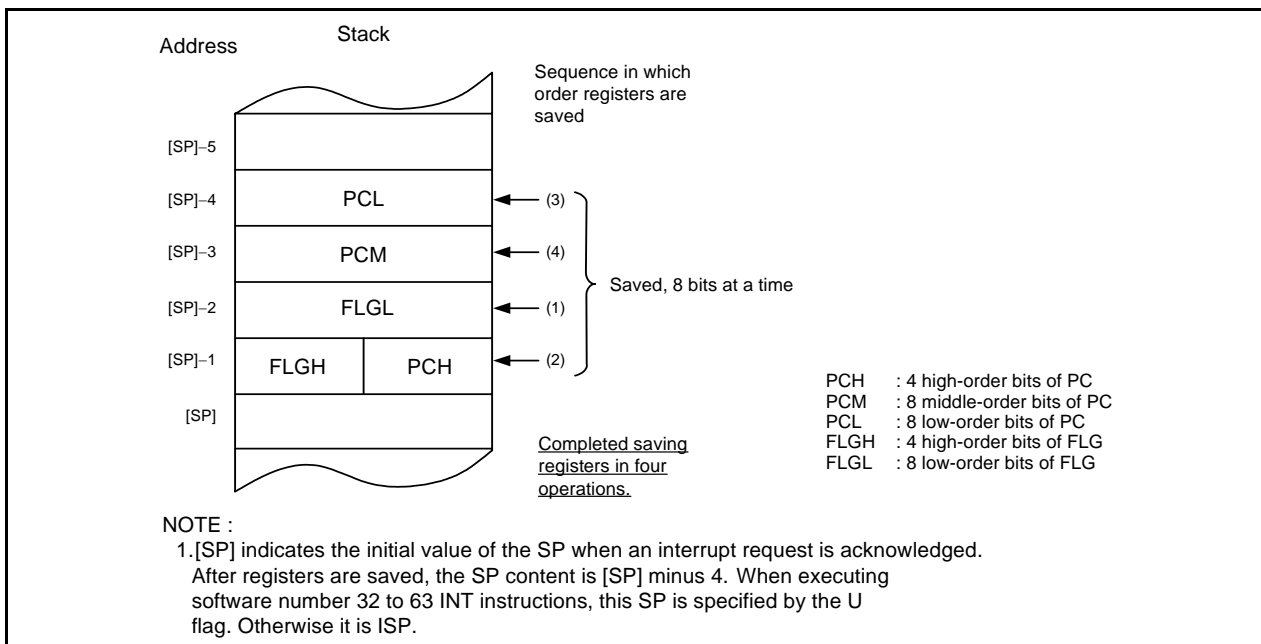


Figure 12.8 Register Saving Operation

12.1.6.8 Returning from an Interrupt Routine

When the REIT instruction is executed at the end of an interrupt routine, the FLG register and PC, which have been saved to the stack, are automatically restored. The program, that was running before the interrupt request was acknowledged, starts running again.

Restore registers saved by a program in an interrupt routine using the POPM instruction or others before executing the REIT instruction.

12.1.6.9 Interrupt Priority

If two or more interrupt requests are generated while a single instruction is being executed, the interrupt with the higher priority is acknowledged.

Set bits ILVL2 to ILVL0 to select the desired priority level for maskable interrupts (peripheral functions). However, if two or more maskable interrupts have the same priority level, their interrupt priority is resolved by hardware, and the higher priority interrupts acknowledged.

The priority levels of special interrupts, such as reset (reset has the highest priority) and watchdog timer, are set by hardware. Figure 12.9 shows the Priority Levels of Hardware Interrupts.

The interrupt priority does not affect software interrupts. The MCU jumps to the interrupt routine when the instruction is executed.

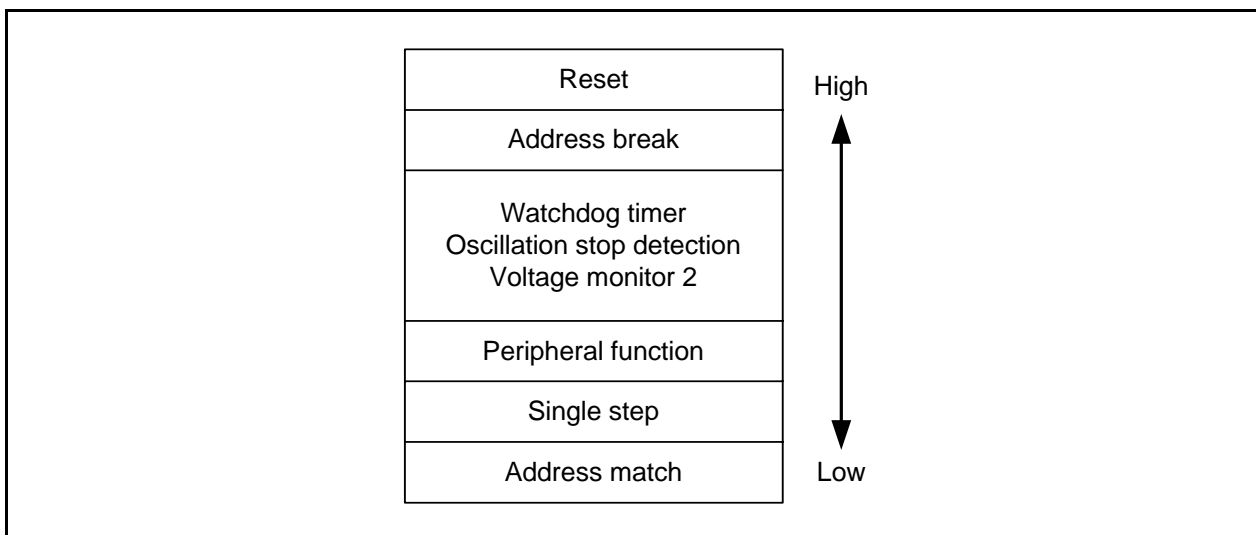


Figure 12.9 Priority Levels of Hardware Interrupts

12.1.6.10 Interrupt Priority Judgement Circuit

The interrupt priority judgement circuit selects the highest priority interrupt, as shown in Figure 12.10.

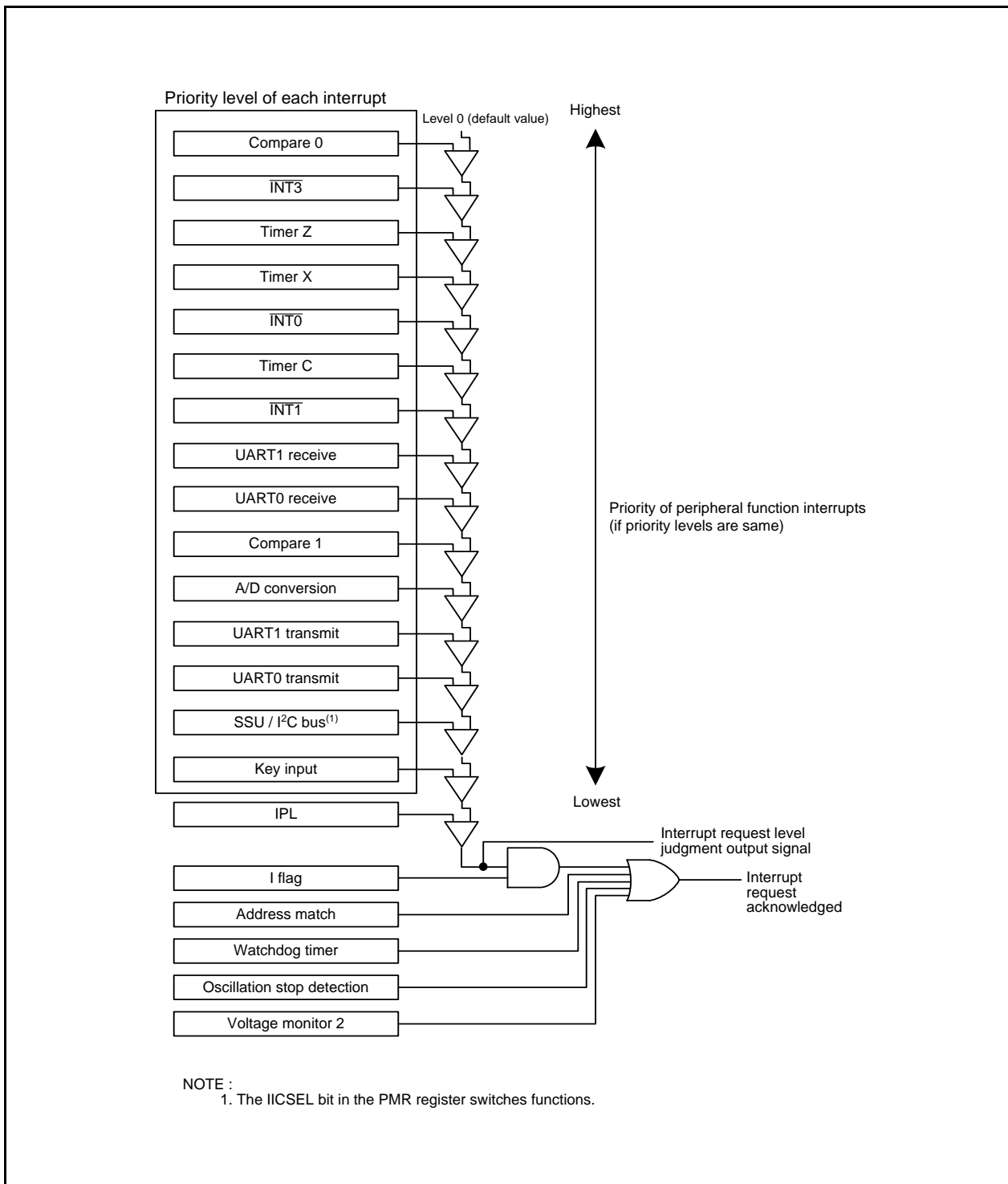


Figure 12.10 Interrupt Priority Level Judgement Circuit

12.2 $\overline{\text{INT}}$ Interrupt

12.2.1 $\overline{\text{INT0}}$ Interrupt

The $\overline{\text{INT0}}$ interrupt is generated by an $\overline{\text{INT0}}$ input. When using the $\overline{\text{INT0}}$ interrupt, the INT0EN bit in the INTEN register is set to 1 (enable). The edge polarity is selected using the INT0PL bit in the INTEN register and the POL bit in the INT0IC register.

Inputs can be passed through a digital filter with three different sampling clocks.

The $\overline{\text{INT0}}$ pin is shared with the external trigger input pin of timer Z.

Figure 12.11 shows Registers INTEN and INT0F.

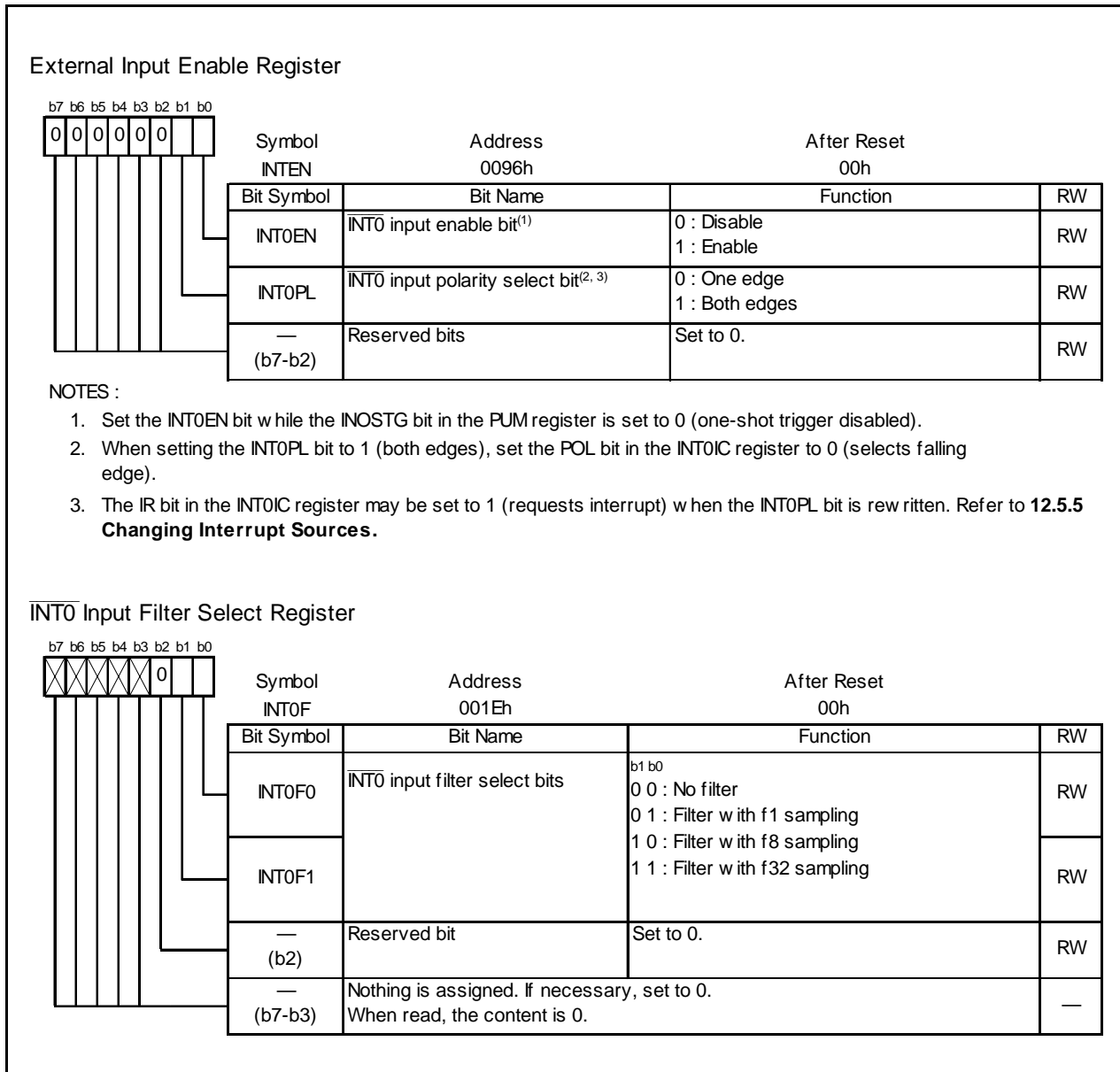


Figure 12.11 Registers INTEN and INT0F

12.2.2 $\overline{\text{INT0}}$ Input Filter

The $\overline{\text{INT0}}$ input contains a digital filter. The sampling clock is selected by bits INT0F1 to INT0F0 in the INT0F register. The $\overline{\text{INT0}}$ level is sampled every sampling clock cycle and if the sampled input level matches three times, the IR bit in the INT0IC register is set to 1 (interrupt requested).

Figure 12.12 shows the Configuration of INT0 Input Filter. Figure 12.13 shows an Operating Example of INT0 Input Filter.

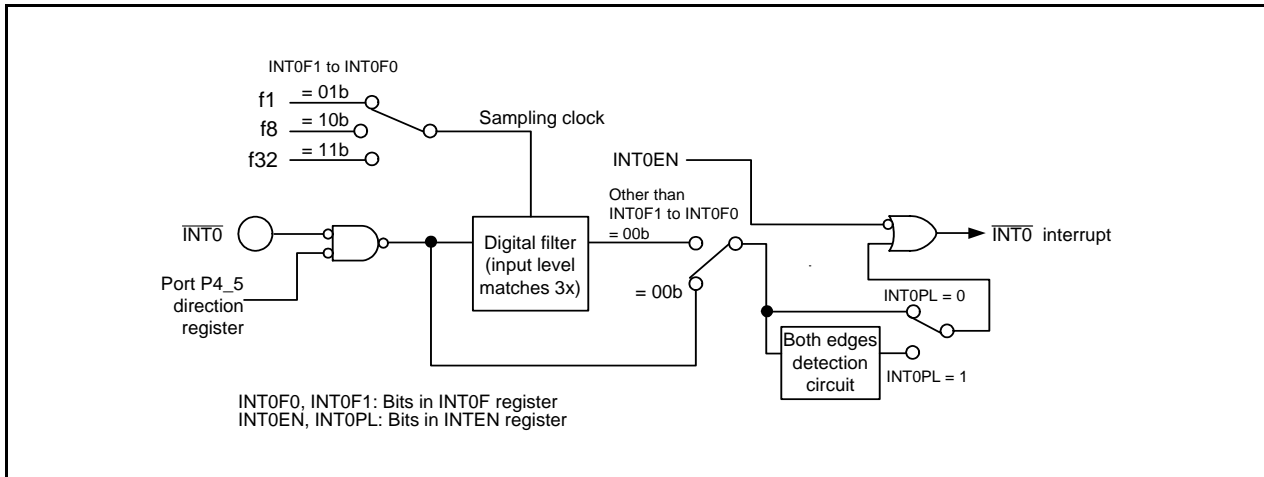


Figure 12.12 Configuration of $\overline{\text{INT0}}$ Input Filter

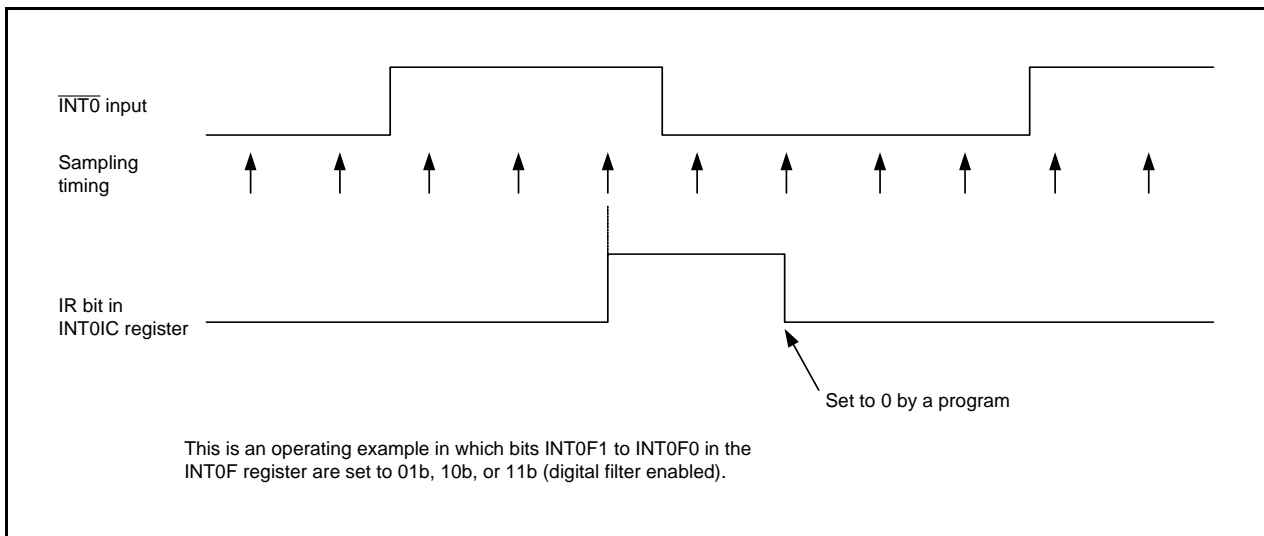


Figure 12.13 Operating Example of $\overline{\text{INT0}}$ Input Filter

12.2.3 $\overline{\text{INT1}}$ Interrupt

The $\overline{\text{INT1}}$ interrupt is generated by an $\overline{\text{INT1}}$ input. The edge polarity is selected by the R0EDG bit in the TXMR register.

When the CNTRSEL bit in the UCON register is set to 0, the $\overline{\text{INT10}}$ pin becomes the $\overline{\text{INT1}}$ input pin. When the CNTRSEL bit is set to 1, the $\overline{\text{INT11}}$ pin becomes the $\overline{\text{INT1}}$ input pin.

The $\overline{\text{INT10}}$ pin is shared with the CNTR00 pin and the $\overline{\text{INT11}}$ pin is shared with the CNTR01 pin.

Figure 12.14 shows the TXMR Register when INT1 Interrupt is Used.

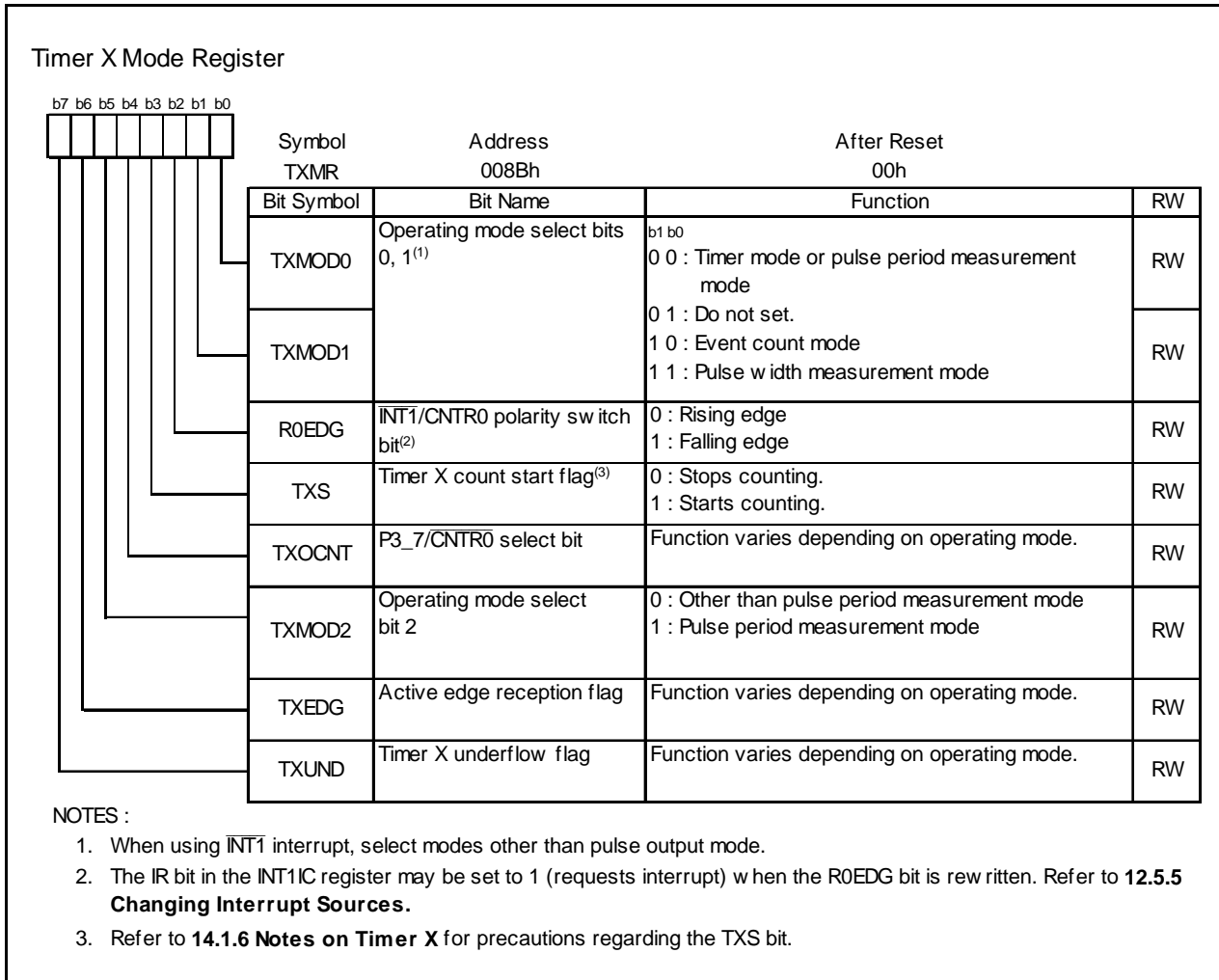


Figure 12.14 TXMR Register when $\overline{\text{INT1}}$ Interrupt is Used

12.2.4 $\overline{\text{INT3}}$ Interrupt

The $\overline{\text{INT3}}$ interrupt is generated by an $\overline{\text{INT3}}$ input. Set the TCC07 bit in the TCC0 register to 0 ($\overline{\text{INT3}}$).

When the TCC06 bit in the TCC0 register is set to 0, an $\overline{\text{INT3}}$ interrupt request is generated in synchronization with the count source of timer C. If the TCC06 bit is set to 1, the $\overline{\text{INT3}}$ interrupt request is generated when an $\overline{\text{INT3}}$ input occurs.

The $\overline{\text{INT3}}$ input contains a digital filter. The $\overline{\text{INT3}}$ level is sampled every sampling clock cycle and if the sampled input level matches three times, the IR bit in the INT3IC register is set to 1 (interrupt requested). The sampling clock is selected by bits TCC11 to TCC10 in the TCC1 register. If filter is selected, the interrupt request is generated in synchronization with the sampling clock, even if the TCC06 bit is set to 1. The P3_3 bit in the P3 register indicates the value before filtering regardless of the contents set in bits TCC11 to TCC10.

The $\overline{\text{INT3}}$ pin is used with the TCIN pin.

If the TCC07 bit is set to 1 (fRING128), the $\overline{\text{INT3}}$ interrupt is generated by the fRING128 clock. The IR bit in the INT3IC register is set to 1 (interrupt requested) every fRING128 clock cycle or every half fRING128 clock cycle.

Figure 12.15 shows the TCC0 Register and Figure 12.16 shows the TCC1 Register.

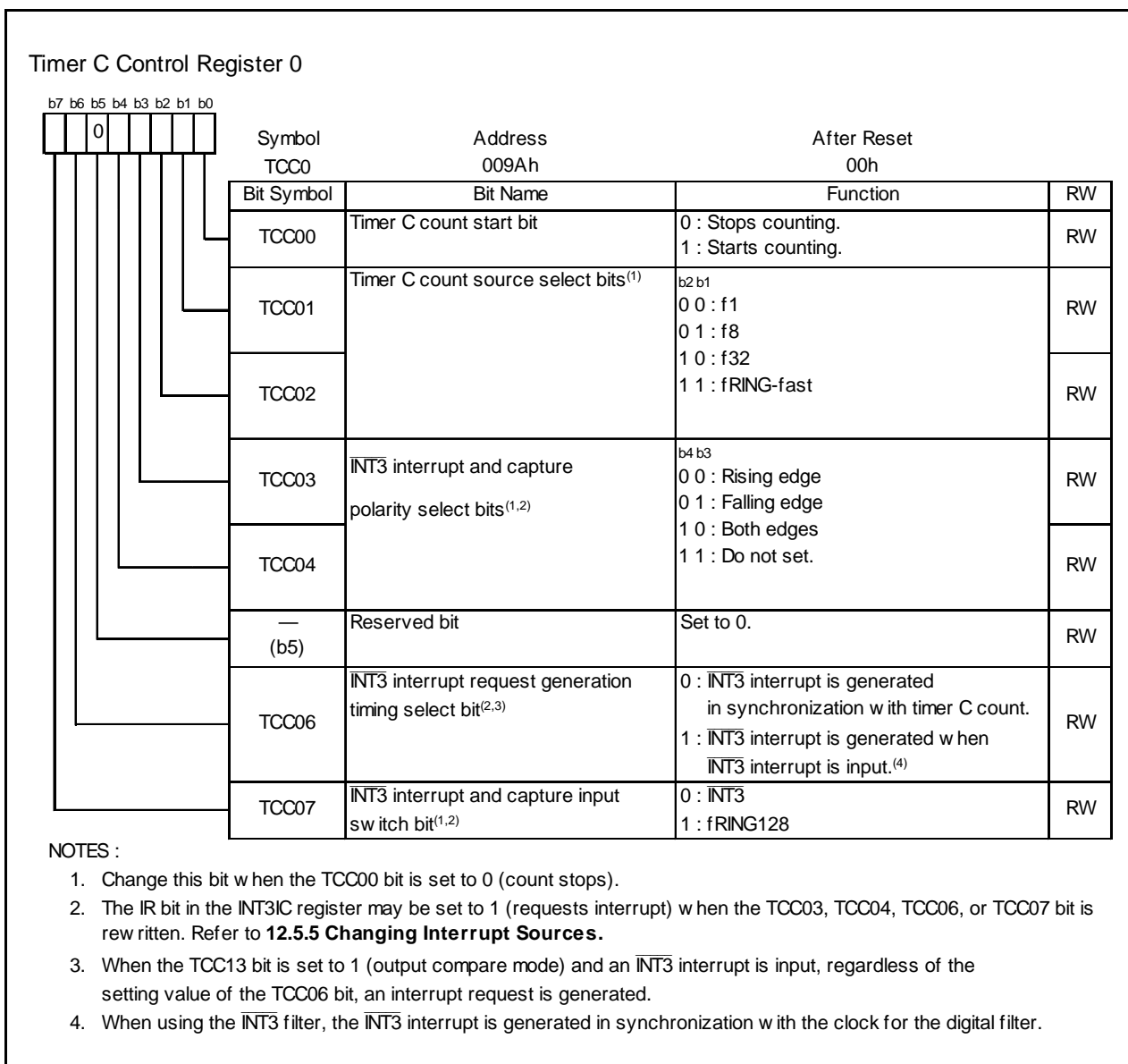


Figure 12.15 TCC0 Register

Timer C Control Register 1

Symbol	Address	After Reset
TCC1	009Bh	00h

Bit Symbol	Bit Name	Function	RW
TCC10	INT3 filter select bits ⁽¹⁾	b1b0 0 0 : No filter	RW
TCC11		0 1 : Filter with f1 sampling 1 0 : Filter with f8 sampling 1 1 : Filter with f32 sampling	RW
TCC12	Timer C counter reload select bit ^(2,3)	0 : No reload 1 : Set TC register to 0000h w hen compare 1 is matched.	RW
TCC13	Compare 0 / capture select bit	0 : Capture select (input capture mode) ⁽²⁾ 1 : Compare 0 output select (output compare mode)	RW
TCC14	Compare 0 output mode select bits ⁽³⁾	b5 b4 0 0 : CMP output remains unchanged even w hen compare 0 is matched.	RW
TCC15		0 1 : CMP output is reversed w hen compare 0 signal is matched. 1 0 : CMP output is set to "L" w hen compare 0 signal is matched. 1 1 : CMP output is set to "H" w hen compare 0 signal is matched.	RW
TCC16	Compare 1 output mode select bits ⁽³⁾	b7 b6 0 0 : CMP output remains unchanged even w hen compare 1 is matched.	RW
TCC17		0 1 : CMP output is reversed w hen compare 1 signal is matched. 1 0 : CMP output is set to "L" w hen compare 1 signal is matched. 1 1 : CMP output is set to "H" w hen compare 1 signal is matched.	RW

NOTES :

- When the same value from the $\overline{\text{INT3}}$ pin is sampled three times continuously, the input is determined.
- When the TCC00 bit in the TCC0 register is set to 0 (count stops), rewrite the TCC13 bit.
- When the TCC13 bit is set to 0 (input capture mode), set bits TCC12 and TCC14 to TCC17 to 0.

Figure 12.16 TCC1 Register

12.3 Key Input Interrupt

A key input interrupt request is generated by one of the input edges of pins $\overline{K10}$ to $\overline{K13}$. The key input interrupt can be used as a key-on wake-up function to exit wait or stop mode.

The $KIiEN$ ($i = 0$ to 3) bit in the $KIEN$ register can select whether or not the pins are used as \overline{KIi} input. The $KIiPL$ bit in the $KIEN$ register can select the input polarity.

When “L” is input to the \overline{KIi} pin, which sets the $KIiPL$ bit to 0 (falling edge), input to the other pins $\overline{K10}$ to $\overline{K13}$ is not detected as interrupts. Also, when “H” is input to the \overline{KIi} pin, which sets the $KIiPL$ bit to 1 (rising edge), input to the other pins $\overline{K10}$ to $\overline{K13}$ is not detected as interrupts.

Figure 12.17 shows a Block Diagram of Key Input Interrupt.

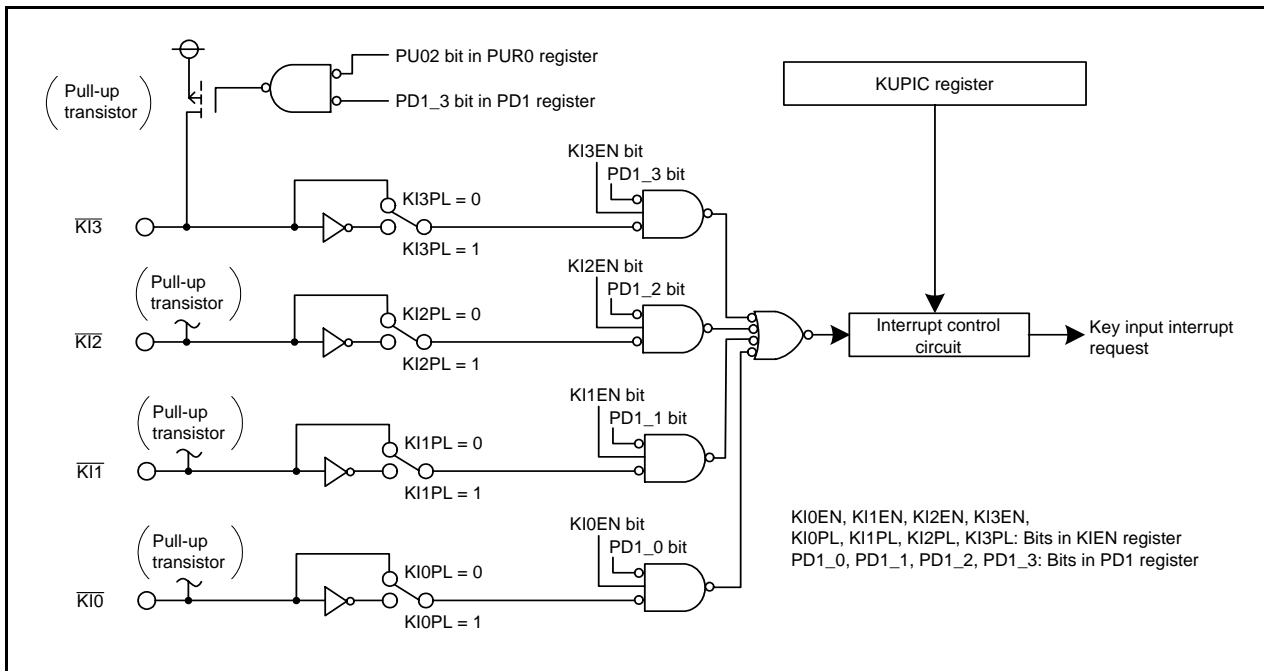


Figure 12.17 Block Diagram of Key Input Interrupt

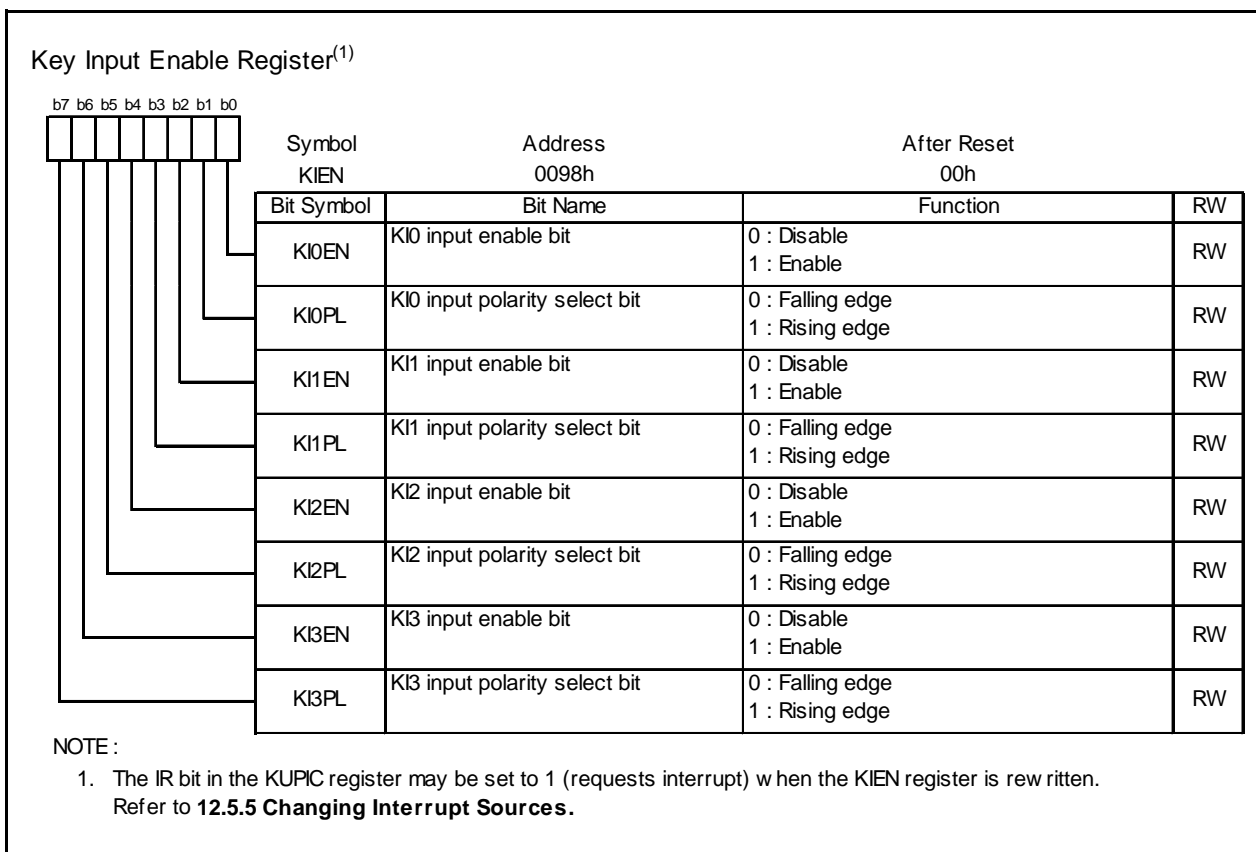


Figure 12.18 KIEN Register

12.4 Address Match Interrupt

An address match interrupt request is generated immediately before execution of the instruction at the address indicated by the RMADi register (i = 0, 1). This interrupt is used as a break function by the debugger. When using the on-chip debugger, do not set an address match interrupt (registers of AIER, RMAD0, and RMAD1 and fixed vector tables) in a user system.

Set the starting address of any instruction in the RMADi register. Bits AIER0 and AIER1 in the AIER0 register can be used to select enable or disable of the interrupt. The I flag and IPL do not affect the address match interrupt.

The value of the PC (Refer to **12.1.6.7 Saving a Register** for the value of the PC) which is saved to the stack when an address match interrupt is acknowledged varies depending on the instruction at the address indicated by the RMADi register. (The appropriate return address is not saved on the stack.) When returning from the address match interrupt, return by one of the following means:

- Change the content of the stack and use the REIT instruction.
- Use an instruction such as POP to restore the stack as it was before the interrupt request was acknowledged. Then use a jump instruction.

Table 12.6 lists the Values of PC Saved to Stack when Address Match Interrupt is Acknowledged.

Figure 12.19 shows Registers AIER, and RMAD0 to RMAD1.

Table 12.6 Values of PC Saved to Stack when Address Match Interrupt is Acknowledged

Address Indicated by RMADi Register (i = 0, 1)	PC Value Saved ⁽¹⁾
<ul style="list-style-type: none"> • Instruction with 2-byte operation code⁽²⁾ • Instruction shown below among instruction with 1-byte operation code⁽²⁾ ADD.B:S #IMM8,dest SUB.B:S #IMM8,dest AND.B:S #IMM8,dest OR.B:S #IMM8,dest MOV.B:S #IMM8,dest STZ.B:S #IMM8,dest STNZ.B:S #IMM8,dest STZX.B:S #IMM81,#IMM82,dest CMP.B:S #IMM8,dest PUSHM src POPM dest JMPS #IMM8 JSRS #IMM8 MOV.B:S #IMM,dest (however, dest = A0 or A1)	Address indicated by RMADi register + 2
<ul style="list-style-type: none"> • Instructions other than the above 	Address indicated by RMADi register + 1

NOTES:

1. Refer to the **12.1.6.7 Saving a Register** for the PC value saved.
2. Operation code: Refer for the "R8C/Tiny Series Software Manual (REJ09B0001)".
"Chapter 4. Instruction Code/Number of Cycles" contains diagrams showing operation code below each syntax. Operation code is shown in the bold frame in the diagrams.

Table 12.7 Correspondence Between Address Match Interrupt Sources and Associated Registers

Address Match Interrupt Source	Address Match Interrupt Enable Bit	Address Match Interrupt Register
Address match interrupt 0	AIER0	RMAD0
Address match interrupt 1	AIER1	RMAD1

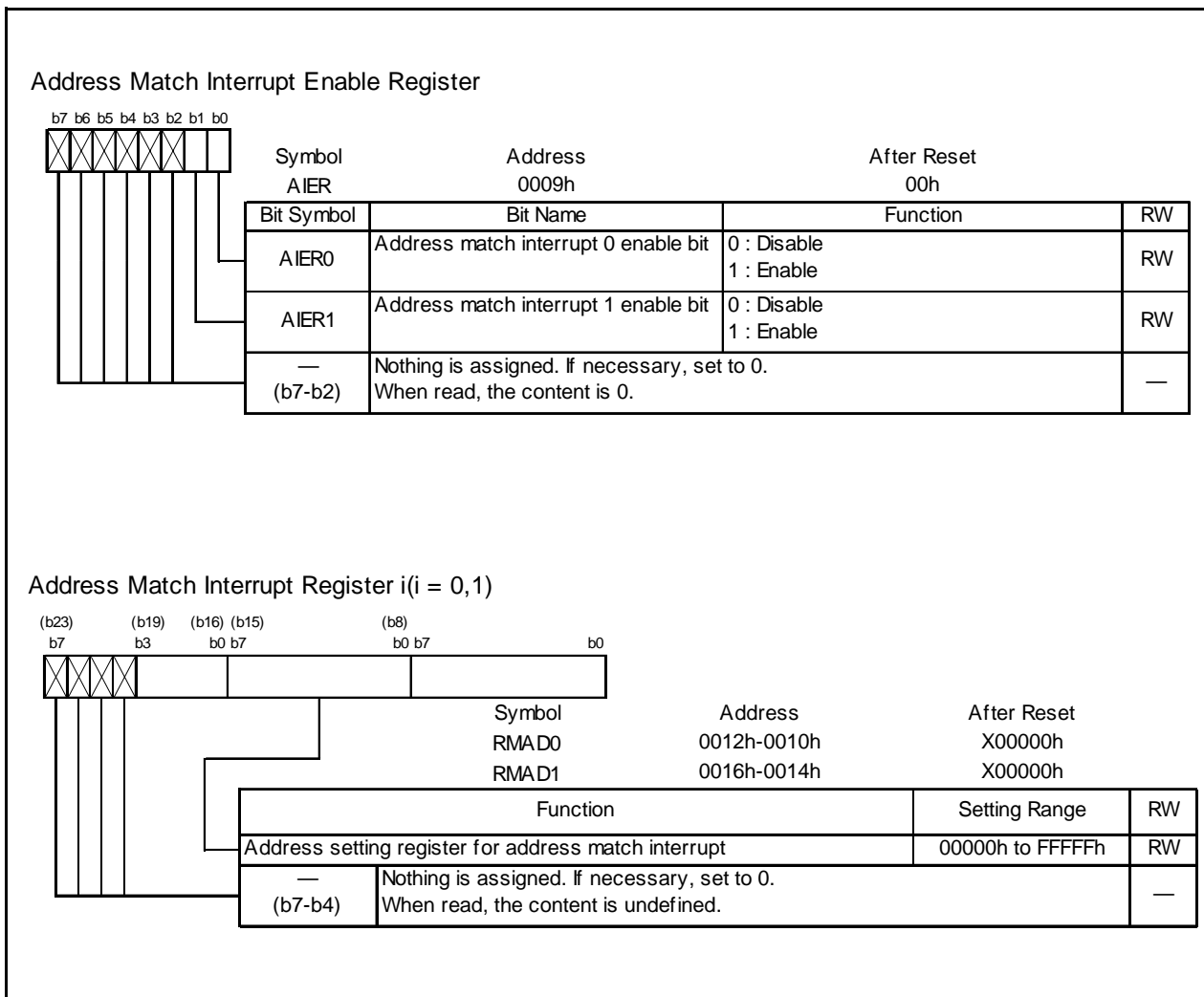


Figure 12.19 Registers AIER, and RMAD0 to RMAD1

12.5 Notes on Interrupts

12.5.1 Reading Address 00000h

Do not read address 00000h by a program. When a maskable interrupt request is acknowledged, the CPU reads interrupt information (interrupt number and interrupt request level) from 00000h in the interrupt sequence. At this time, the acknowledged interrupt IR bit is set to 0.

If address 00000h is read by a program, the IR bit for the interrupt which has the highest priority among the enabled interrupts is set to 0. This may cause the interrupt to be canceled, or an unexpected interrupt to be generated.

12.5.2 SP Setting

Set any value in the SP before an interrupt is acknowledged. The SP is set to 0000h after reset. Therefore, if an interrupt is acknowledged before setting a value in the SP, the program may run out of control.

12.5.3 External Interrupt and Key Input Interrupt

Either “L” level or “H” level of at least 250 ns width is necessary for the signal input to pins $\overline{\text{INT0}}$ to $\overline{\text{INT3}}$ and pins $\overline{\text{KI0}}$ to $\overline{\text{KI3}}$, regardless of the CPU clock.

12.5.4 Watchdog Timer Interrupt

Reset the watchdog timer after a watchdog timer interrupt is generated.

12.5.5 Changing Interrupt Sources

The IR bit in the interrupt control register may be set to 1 (interrupt requested) when the interrupt source changes. When using an interrupt, set the IR bit to 0 (no interrupt requested) after changing the interrupt source. In addition, changes of interrupt sources include all factors that change the interrupt sources assigned to individual software interrupt numbers, polarities, and timing. Therefore, if a mode change of a peripheral function involves interrupt sources, edge polarities, and timing, set the IR bit to 0 (no interrupt requested) after the change. Refer to the individual peripheral function for its related interrupts.

Figure 12.20 shows an Example of Procedure for Changing Interrupt Sources.

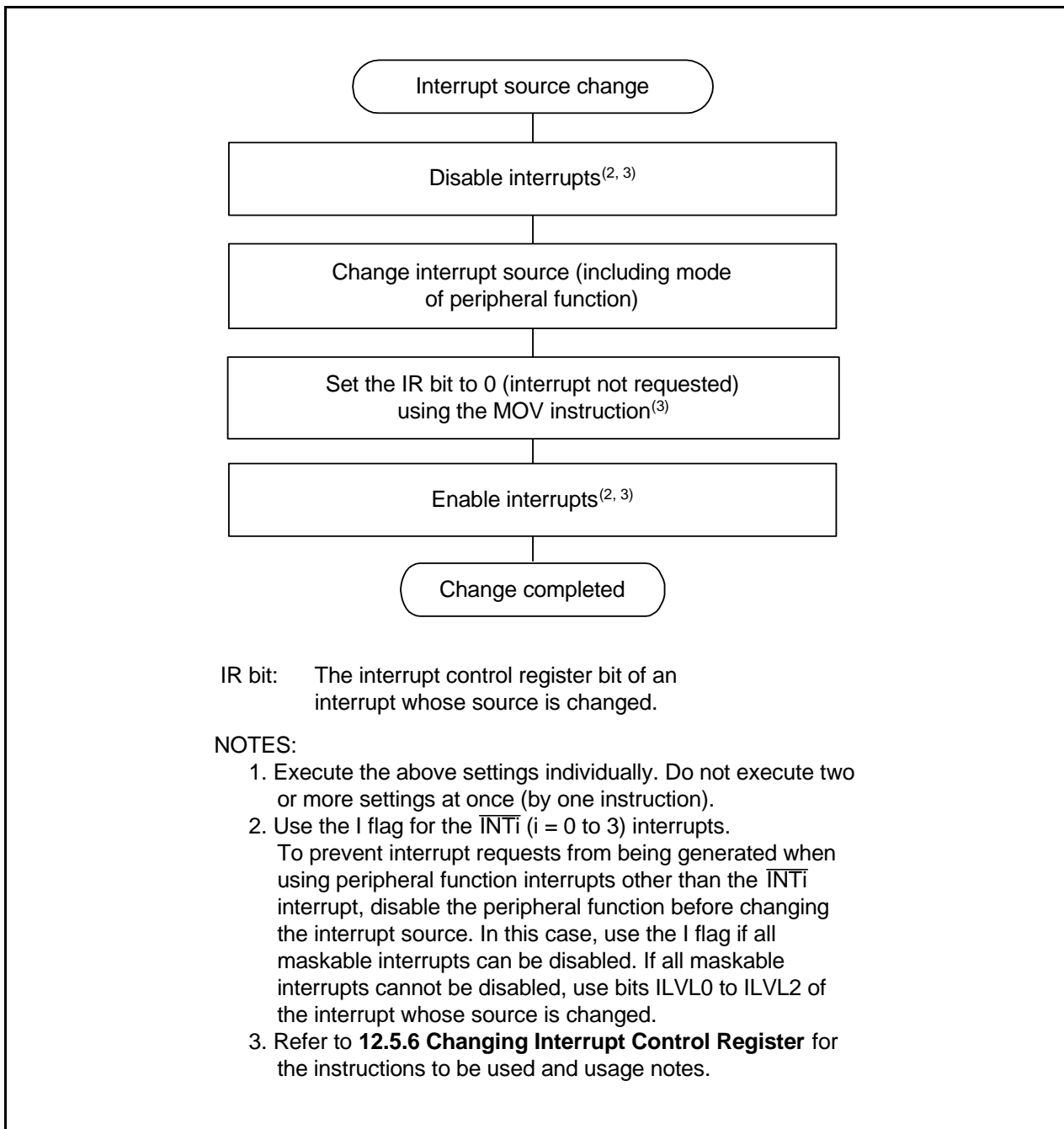


Figure 12.20 Example of Procedure for Changing Interrupt Sources

12.5.6 Changing Interrupt Control Register Contents

- (a) The contents of an interrupt control register can only be changed while no interrupt requests corresponding to that register are generated. If interrupt requests may be generated, disable interrupts before changing the interrupt control register contents.
- (b) When changing the contents of an interrupt control register after disabling interrupts, be careful to choose appropriate instructions.

Changing any bit other than IR bit

If an interrupt request corresponding to a register is generated while executing the instruction, the IR bit may not be set to 1 (interrupt requested), and the interrupt request may be ignored. If this causes a problem, use the following instructions to change the register: AND, OR, BCLR, BSET

Changing IR bit

If the IR bit is set to 0 (interrupt not requested), it may not be set to 0 depending on the instruction used. Therefore, use the MOV instruction to set the IR bit to 0.

- (c) When disabling interrupts using the I flag, set the I flag as shown in the sample programs below. Refer to (b) regarding changing the contents of interrupt control registers by the sample programs.

Sample programs 1 to 3 are for preventing the I flag from being set to 1 (interrupts enabled) before the interrupt control register is changed for reasons of the internal bus or the instruction queue buffer.

Example 1: Use NOP instructions to prevent I flag from being set to 1 before interrupt control register is changed

```
INT_SWITCH1:
  FCLR   I           ; Disable interrupts
  AND.B  #00H,0056H ; Set TXIC register to 00h
  NOP                    ;
  NOP
  FSET   I           ; Enable interrupts
```

Example 2: Use dummy read to delay FSET instruction

```
INT_SWITCH2:
  FCLR   I           ; Disable interrupts
  AND.B  #00H,0056H ; Set TXIC register to 00h
  MOV.W  MEM,R0      ; Dummy read
  FSET   I           ; Enable interrupts
```

Example 3: Use POPC instruction to change I flag

```
INT_SWITCH3:
  PUSHC  FLG
  FCLR   I           ; Disable interrupts
  AND.B  #00H,0056H ; Set TXIC register to 00h
  POPC   FLG        ; Enable interrupts
```

13. Watchdog Timer

The watchdog timer is a function that detects when a program is out of control. Use of the watchdog timer is recommended to improve the reliability of the system. The watchdog timer contains a 15-bit counter and allows selection of count source protection mode enable or disable. Table 13.1 lists information on the Count Source Protection Mode.

Refer to **6.5 Watchdog Timer Reset** for details on the watchdog timer reset.

Figure 13.1 shows the Block Diagram of Watchdog Timer and Figures 13.2 to 13.3 show Registers OFS, WDC, WDTR, WDTS, and CSPR.

Table 13.1 Count Source Protection Mode

Item	Count Source Protection Mode Disabled	Count Source Protection Mode Enabled
Count source	CPU clock	Low-speed on-chip oscillator clock
Count operation	Decrement	
Reset condition of watchdog timer	<ul style="list-style-type: none"> • Reset • Write 00h to the WDTR register before writing FFh • underflow 	
Count start condition	Either of the following can be selected <ul style="list-style-type: none"> • After reset, count starts automatically • Count starts by writing to WDTS register 	
Count stop condition	Stop mode, wait mode	None
Operation at time of underflow	Watchdog timer interrupt or watchdog timer reset	Watchdog timer reset

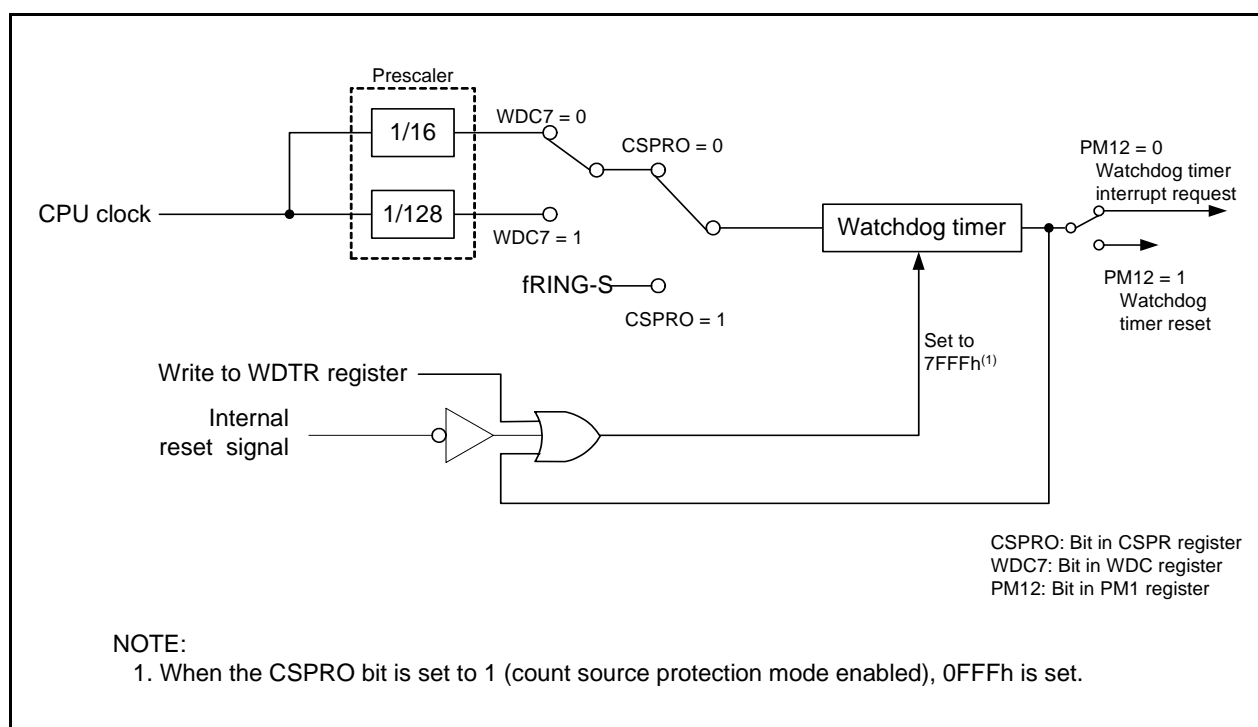


Figure 13.1 Block Diagram of Watchdog Timer

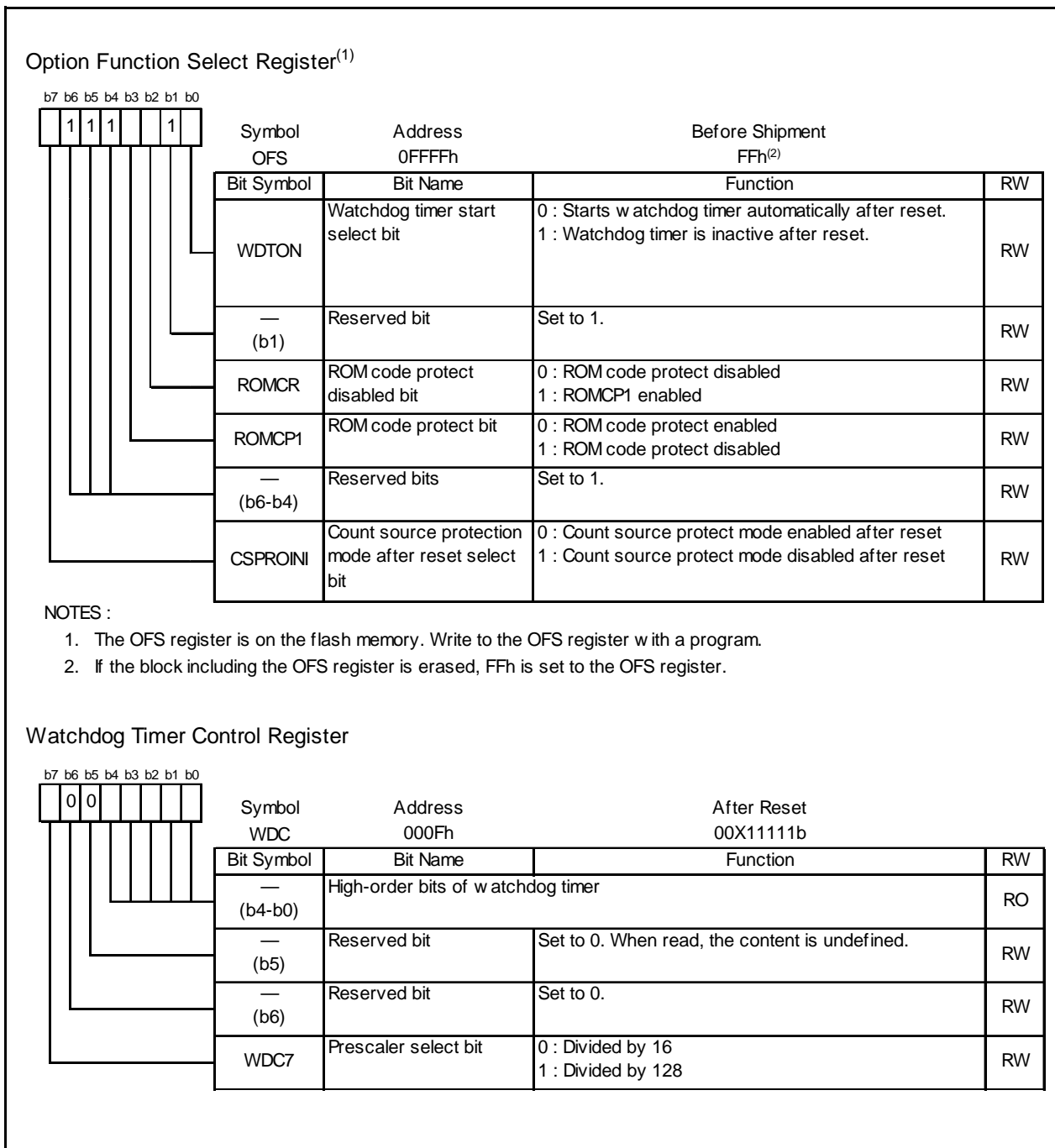


Figure 13.2 Registers OFS and WDC

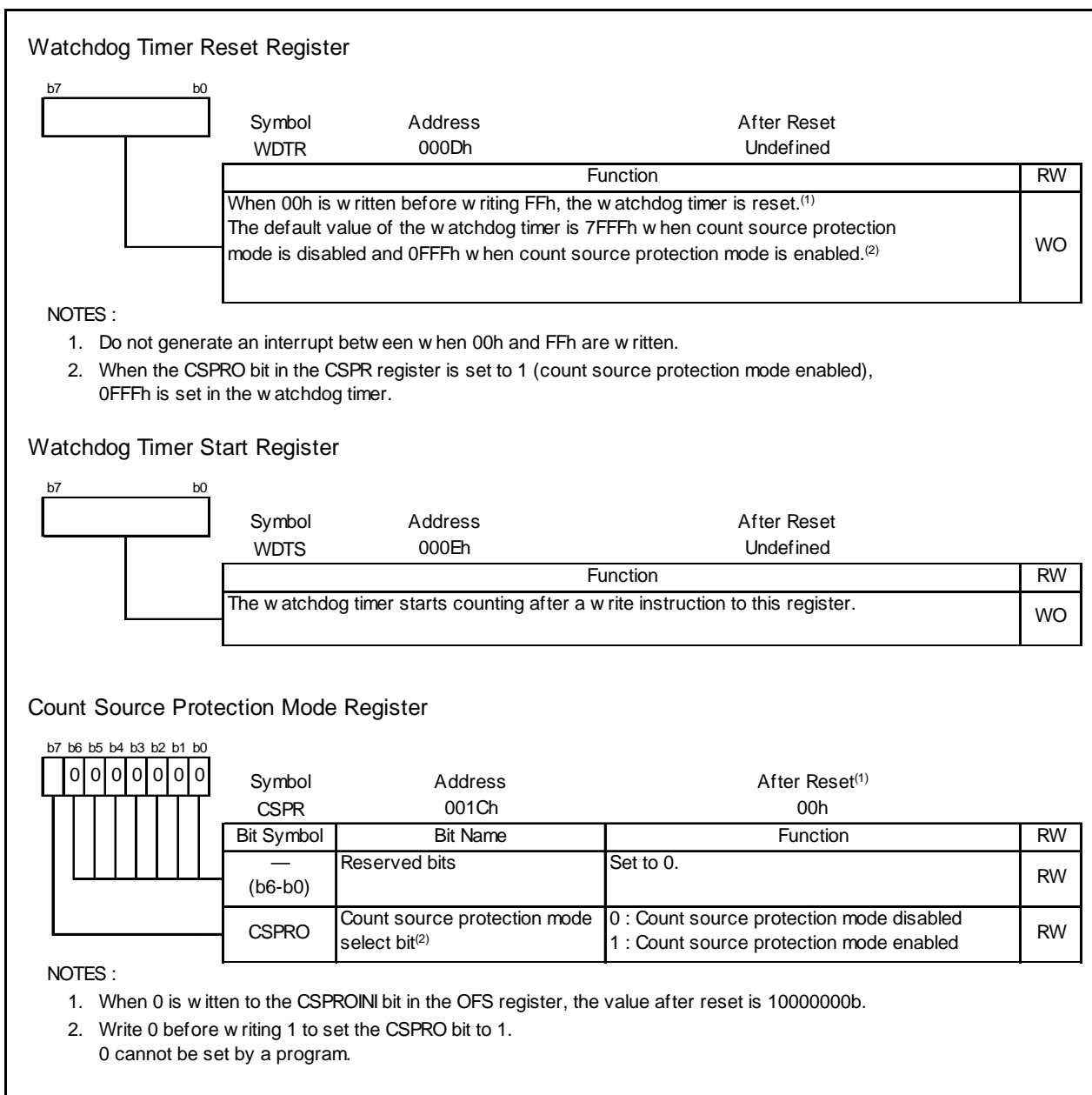


Figure 13.3 Registers WDTR, WDTS, and CSPR

13.1 Count Source Protection Mode Disabled

The count source of the watchdog timer is the CPU clock when count source protection mode is disabled. Table 13.2 lists the Watchdog Timer Specifications (with Count Source Protection Mode Disabled).

Table 13.2 Watchdog Timer Specifications (with Count Source Protection Mode Disabled)

Item	Specification
Count source	CPU clock
Count operation	Decrement
Period	$\text{Division ratio of prescaler (n)} \times \text{count value of watchdog timer (32768)}^{(1)}$ CPU clock n: 16 or 128 (selected by WDC7 bit in WDC register) Example: When the CPU clock frequency is 16 MHz and prescaler divides by 16, the period is approximately 32.8 ms.
Count start conditions	The WDTON bit ⁽²⁾ in the OFS register (0FFFFh) selects the operation of the watchdog timer after a reset. <ul style="list-style-type: none"> • When the WDTON bit is set to 1 (watchdog timer is in stop state after reset). The watchdog timer and prescaler stop after a reset and the count starts when the WDTS register is written to. • When the WDTON bit is set to 0 (watchdog timer starts automatically after exiting). The watchdog timer and prescaler start counting automatically after reset.
Reset condition of watchdog timer	<ul style="list-style-type: none"> • Reset • Write 00h to the WDTR register before writing FFh. • Underflow
Count stop condition	Stop and wait modes (inherit the count from the held value after exiting modes)
Operation at time of underflow	<ul style="list-style-type: none"> • When the PM12 bit in the PM1 register is set to 0. Watchdog timer interrupt • When the PM12 bit in the PM1 register is set to 1. Watchdog timer reset (Refer to 6.5 Watchdog Timer Reset.)

NOTES:

1. The watchdog timer is reset when 00h is written to the WDTR register before FFh. The prescaler is reset after the MCU is reset. Some errors in the period of the watchdog timer may be caused by the prescaler.
2. The WDTON bit cannot be changed by a program. To set the WDTON bit, write 0 to bit 0 of address 0FFFFh with a flash programmer.

13.2 Count Source Protection Mode Enabled

The count source of the watchdog timer is the low-speed on-chip oscillator clock when count source protection mode is enabled. If the CPU clock stops when a program is out of control, the clock can still be supplied to the watchdog timer. Table 13.3 lists the Watchdog Timer Specifications (with Count Source Protection Mode Enabled).

Table 13.3 Watchdog Timer Specifications (with Count Source Protection Mode Enabled)

Item	Specification
Count source	Low-speed on-chip oscillator clock
Count operation	Decrement
Period	Count value of watchdog timer (4096) Low-speed on-chip oscillator clock Example: Period is approximately 32.8 ms when the low-speed on-chip oscillator clock frequency is 125 kHz
Count start conditions	The WDTON bit ⁽¹⁾ in the OFS register (0FFFFh) selects the operation of the watchdog timer after a reset. <ul style="list-style-type: none"> When the WDTON bit is set to 1 (watchdog timer is in stop state after reset). The watchdog timer and prescaler stop after a reset and the count starts when the WDTS register is written to. When the WDTON bit is set to 0 (watchdog timer starts automatically after reset). The watchdog timer and prescaler start counting automatically after a reset.
Reset condition of watchdog timer	<ul style="list-style-type: none"> Reset Write 00h to the WDTR register before writing FFh. Underflow
Count stop condition	None (The count does not stop in wait mode after the count starts. The MCU does not enter stop mode.)
Operation at time of underflow	Watchdog timer reset (Refer to 6.5 Watchdog Timer Reset.)
Registers, bits	<ul style="list-style-type: none"> When setting the CSPPRO bit in the CSPR register to 1 (count source protection mode is enabled)⁽²⁾, the following are set automatically <ul style="list-style-type: none"> Set 0FFFFh to the watchdog timer Set the CM14 bit in the CM1 register to 0 (low-speed on-chip oscillator on) Set the PM12 bit in the PM1 register to 1 (The watchdog timer is reset when watchdog timer underflows) The following conditions apply in count source protection mode <ul style="list-style-type: none"> Writing to the CM10 bit in the CM1 register is disabled. (It remains unchanged even if it is set to 1. The MCU does not enter stop mode.) Writing to the CM14 bit in the CM1 register is disabled. (It remains unchanged even if it is set to 1. The low-speed on-chip oscillator does not stop.)

NOTES:

- The WDTON bit cannot be changed by a program. To set the WDTON bit, write 0 to bit 0 of address 0FFFFh with a flash programmer.
- Even if 0 is written to the CSPROINI bit in the OFS register, the CSPRO bit is set to 1. The CSPROINI bit cannot be changed by a program. To set the CSPROINI bit, write 0 to bit 7 of address 0FFFFh with a flash programmer.

14. Timers

The MCU has two 8-bit timers with 8-bit prescalers, and a 16-bit timer. The two 8-bit timers with 8-bit prescalers are timer X and timer Z. These timers contain a reload register to store the default value of the counter. The 16-bit timer is timer C, and has input capture and output compare functions. All the timers operate independently. The count source for each timer is the operating clock that regulates the timing of timer operations such as counting and reloading.

Table 14.1 lists Functional Comparison of Timers.

Table 14.1 Functional Comparison of Timers

Item		Timer X	Timer Z	Timer C
Configuration		8-bit timer with 8-bit prescaler (with reload register)	8-bit timer with 8-bit prescaler (with reload register)	16-bit free-run timer (with input capture and output compare)
Count		Decrement	Decrement	Increment
Count sources		<ul style="list-style-type: none"> • f1 • f2 • f8 • fRING 	<ul style="list-style-type: none"> • f1 • f2 • f8 • Timer X underflow 	<ul style="list-style-type: none"> • f1 • f8 • f32 • fRING-fast
Function	Timer mode	Provided	Provided	Not provided
	Pulse output mode	Provided	Not provided	Not provided
	Event counter mode	Provided	Not provided	Not provided
	Pulse width measurement mode	Provided	Not provided	Not provided
	Pulse period measurement mode	Provided	Not provided	Not provided
	Programmable waveform generation mode	Not provided	Provided	Not provided
	Programmable one-shot generation mode	Not provided	Provided	Not provided
	Programmable wait one-shot generation mode	Not provided	Provided	Not provided
	Input capture mode	Not provided	Not provided	Provided
	Output compare mode	Not provided	Not provided	Provided
Input pin		CNTR0	$\overline{\text{INT0}}$	TCIN
Output pin		$\overline{\text{CNTR0}}$ CNTR0	TZOUT	CMP0_0 to CMP0_2 CMP1_0 to CMP1_2
Related interrupt		Timer X interrupt INT1 interrupt	Timer Z interrupt $\overline{\text{INT0}}$ interrupt	Timer C interrupt $\overline{\text{INT3}}$ interrupt Compare 0 interrupt Compare 1 interrupt
Timer stop		Provided	Provided	Provided

14.1 Timer X

Timer X is an 8-bit timer with an 8-bit prescaler.

The prescaler and timer each consist of a reload register and counter. The reload register and counter are allocated at the same address, and can be accessed when accessing registers PREX and TX (refer to **Tables 14.2 to 14.6 the Specifications of Each Mode**).

Figure 14.1 shows a Block Diagram of Timer X. Figures 14.2 and 14.3 show the registers associated with Timer X. Timer X has the following five operating modes:

- Timer mode: The timer counts the internal count source.
- Pulse output mode: The timer counts the internal count source and outputs pulses which inverts the polarity by underflow of the timer.
- Event counter mode: The timer counts external pulses.
- Pulse width measurement mode: The timer measures the pulse width of an external pulse.
- Pulse period measurement mode: The timer measures the pulse period of an external pulse.

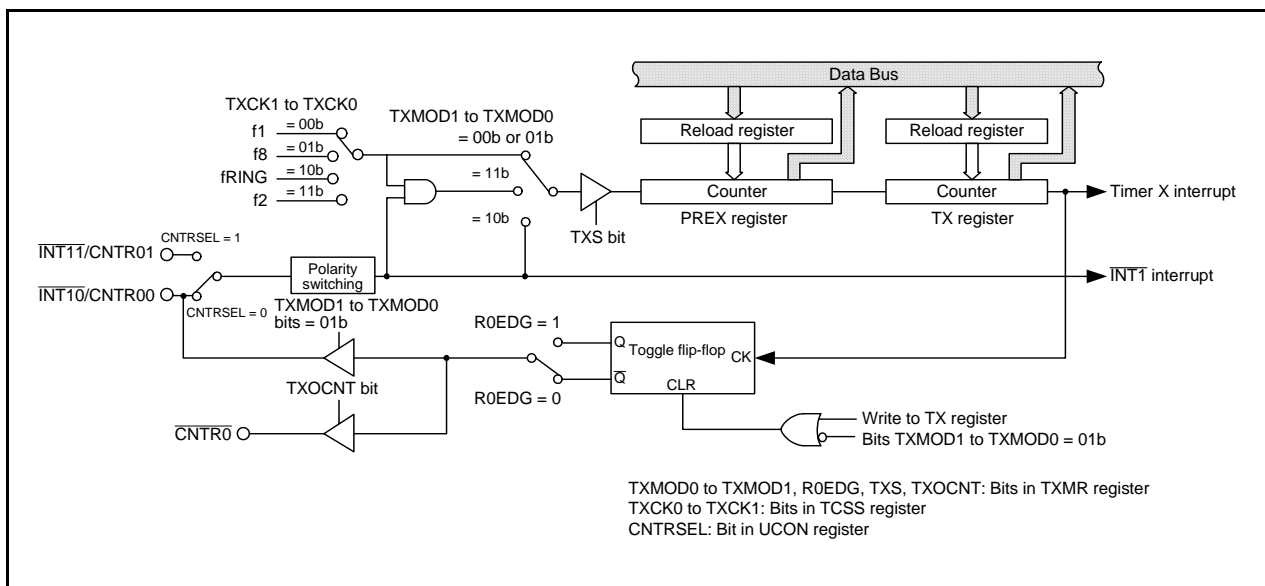


Figure 14.1 Block Diagram of Timer X

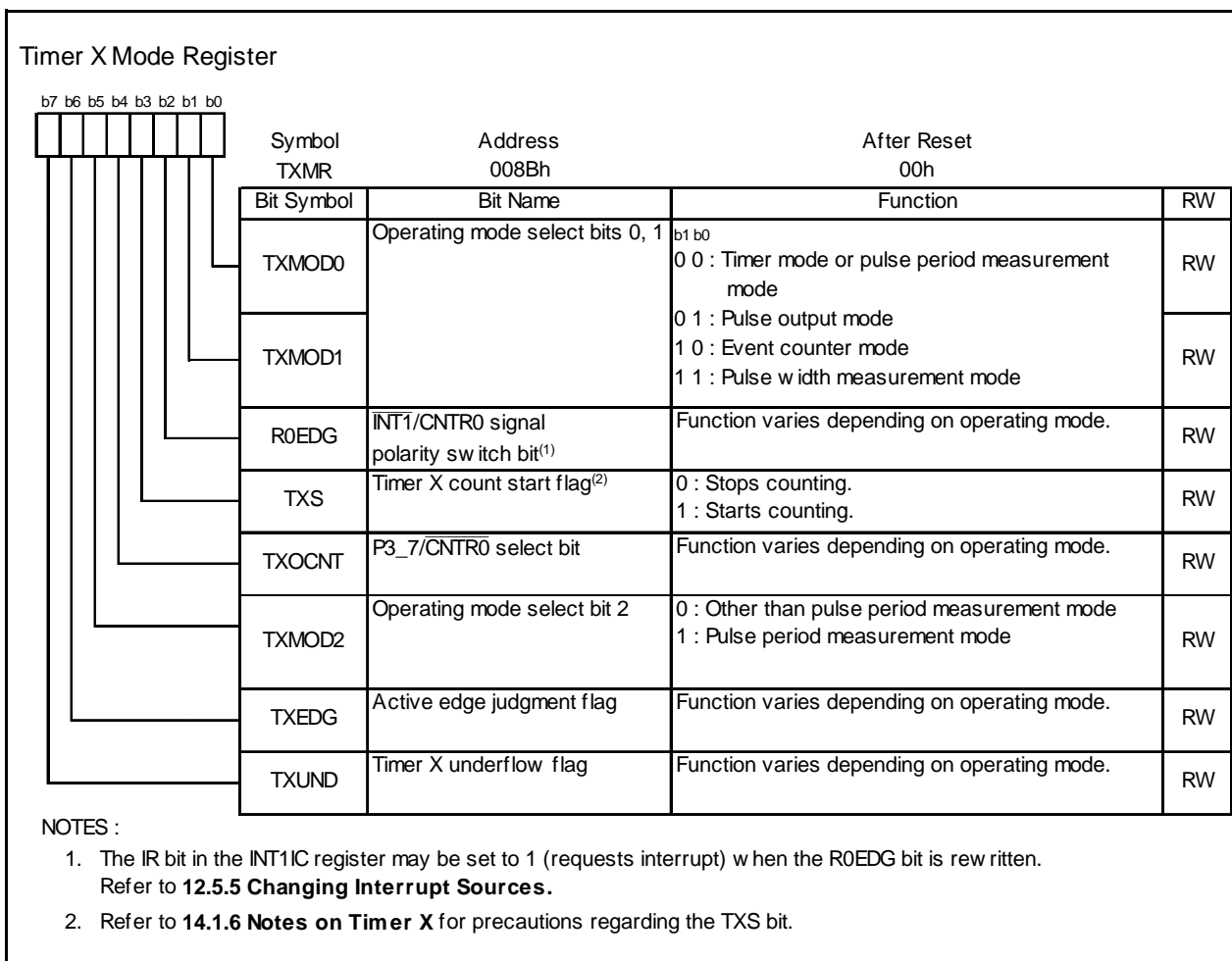


Figure 14.2 TXMR Register

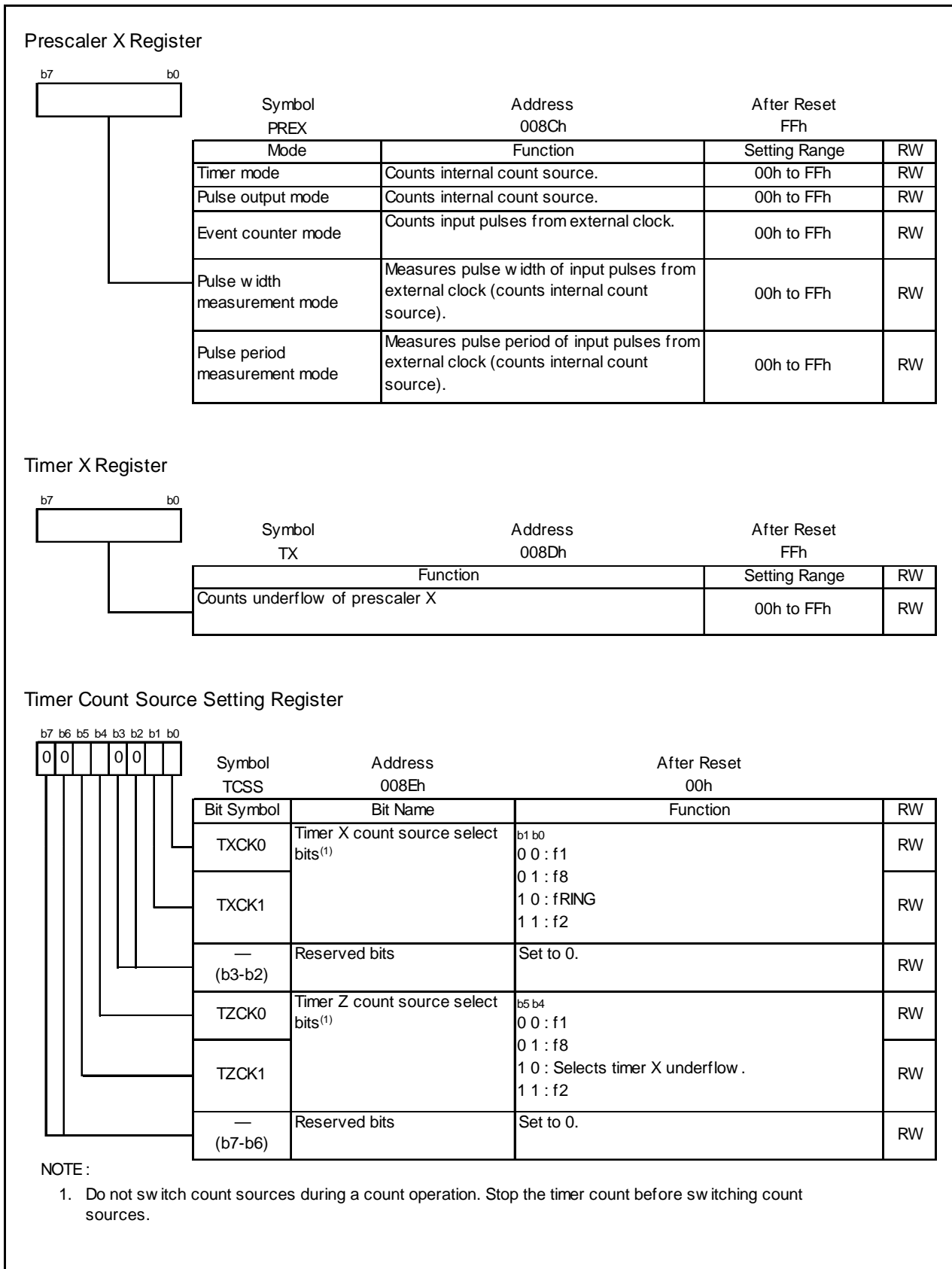


Figure 14.3 Registers PREX, TX, and TCSS

14.1.1 Timer Mode

In timer mode, the timer counts an internally generated count source (refer to **Table 14.2 Timer Mode Specifications**). Figure 14.4 shows the TXMR Register in Timer Mode.

Table 14.2 Timer Mode Specifications

Item	Specification
Count sources	f1, f2, f8, fRING
Count operations	<ul style="list-style-type: none"> Decrement When the timer underflows, the contents of the reload register are reloaded and the count is continued.
Divide ratio	$1/(n+1)(m+1)$ n: value set in PREX register, m: value set in TX register
Count start condition	1 (count starts) is written to the TXS bit in the TXMR register.
Count stop condition	0 (count stops) is written to the TXS bit in the TXMR register.
Interrupt request generation timing	When timer X underflows [timer X interrupt].
$\overline{\text{INT10}}/\text{CNTR00}$, $\overline{\text{INT11}}/\text{CNTR01}$ pin functions	Programmable I/O port, or $\overline{\text{INT1}}$ interrupt input
$\overline{\text{CNTR0}}$ pin function	Programmable I/O port
Read from timer	The count value can be read out by reading registers TX and PREX.
Write to timer	<ul style="list-style-type: none"> When registers TX and PREX are written while the count is stopped, values are written to both the reload register and counter. When registers TX and PREX are written during the count, the value is written to each reload register of registers TX and PREX at the following count source input, the data is transferred to the counter at the second count source input, and the count re-starts at the third count source input.

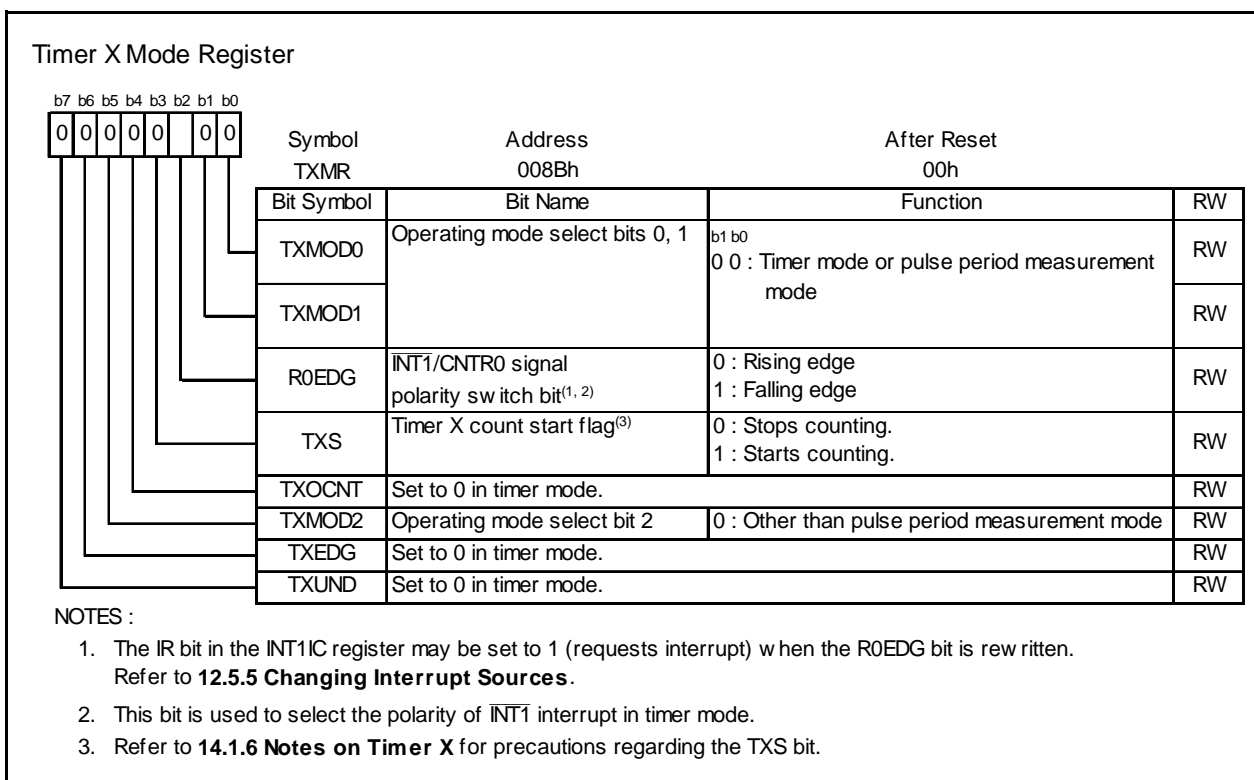


Figure 14.4 TXMR Register in Timer Mode

14.1.2 Pulse Output Mode

In pulse output mode, the internally generated count source is counted, and a pulse with inverted polarity is output from the CNTR0 pin each time the timer underflows (refer to **Table 14.3 Pulse Output Mode Specifications**). Figure 14.5 shows the TXMR Register in Pulse Output Mode.

Table 14.3 Pulse Output Mode Specifications

Item	Specification
Count sources	f1, f2, f8, fRING
Count operations	<ul style="list-style-type: none"> • Decrement • When the timer underflows, the contents of the reload register are reloaded and the count is continued.
Divide ratio	$1/(n+1)(m+1)$ n: value set in PREX register, m: value set in TX register
Count start condition	1 (count starts) is written to the TXS bit in the TXMR register.
Count stop condition	0 (count stops) is written to the TXS bit in the TXMR register.
Interrupt request generation timing	When timer X underflows [timer X interrupt].
$\overline{\text{INT10}}/\text{CNTR00}$ pin function	Pulse output
$\overline{\text{CNTR0}}$ pin function	Programmable I/O port, or inverted output of CNTR0
Read from timer	The count value can be read out by reading registers TX and PREX.
Write to timer	<ul style="list-style-type: none"> • When registers TX and PREX are written while the count is stopped, values are written to both the reload register and counter. • When registers TX and PREX are written during the count, the value is written to each reload register of registers TX and PREX at the following count source input, the data is transferred to the counter at the second count source input, and the count re-starts at the third count source input.
Select functions	<ul style="list-style-type: none"> • $\overline{\text{INT1}}/\text{CNTR0}$ signal polarity switch function The R0EDG bit can select the polarity level when the pulse output starts.⁽¹⁾ • Inverted pulse output function The pulse which inverts the polarity of the CNTR0 output can be output from the $\overline{\text{CNTR0}}$ pin (selected by TXOCNT bit).

NOTE:

1. The level of the output pulse becomes the level when the pulse output starts when the TX register is written to.

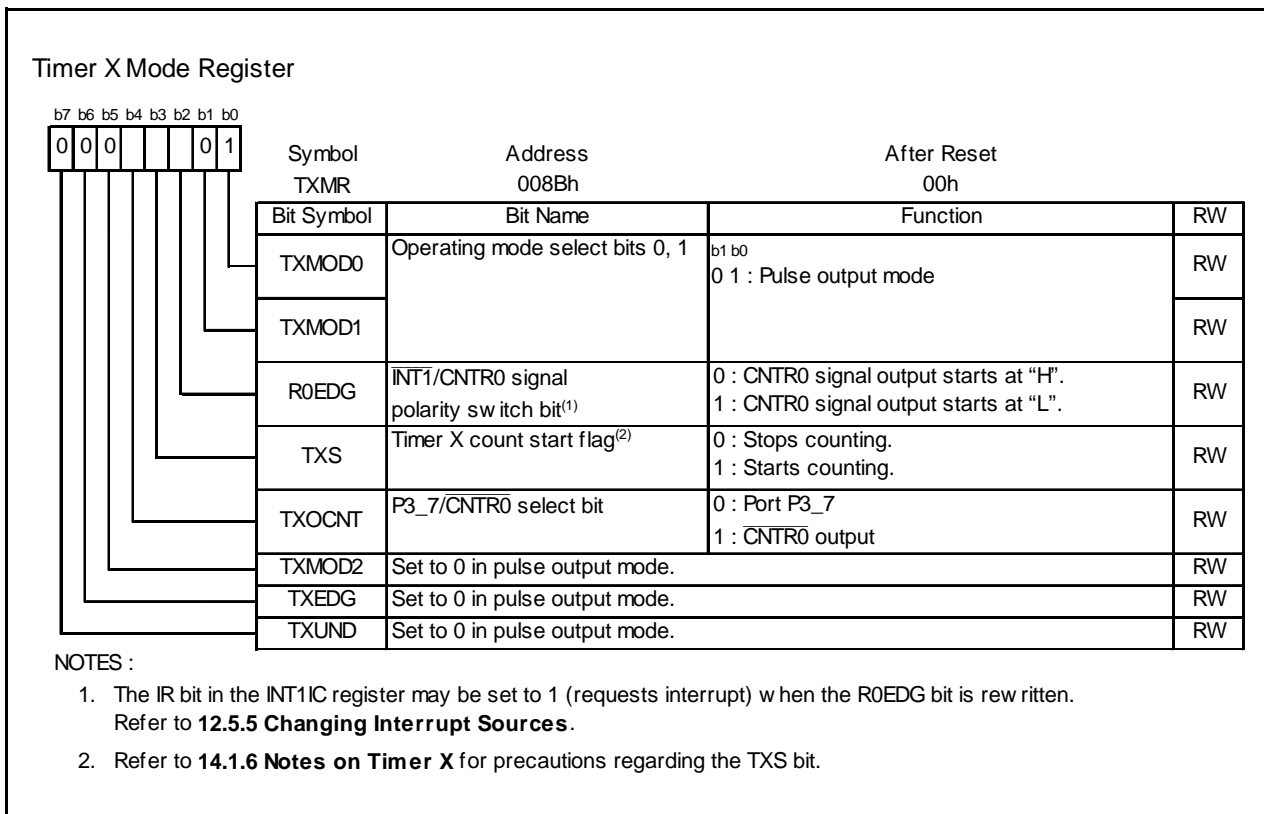


Figure 14.5 TXMR Register in Pulse Output Mode

14.1.3 Event Counter Mode

In event counter mode, external signal inputs to the $\overline{\text{INT1}}/\text{CNTR0}$ pin are counted (refer to **Table 14.4 Event Counter Mode Specifications**). Figure 14.6 shows the TXMR Register in Event Counter Mode.

Table 14.4 Event Counter Mode Specifications

Item	Specification
Count source	External signal which is input to CNTR0 pin (Active edge selectable by software)
Count operations	<ul style="list-style-type: none"> • Decrement • When the timer underflows, the contents of the reload register are reloaded and the count is continued.
Divide ratio	$1/(n+1)(m+1)$ n: value set in PREX register, m: value set in TX register
Count start condition	1 (count starts) is written to the TXS bit in the TXMR register.
Count stop condition	0 (count stops) is written to the TXS bit in the TXMR register.
Interrupt request generation timing	<ul style="list-style-type: none"> • When timer X underflows [timer X interrupt]
$\overline{\text{INT10}}/\text{CNTR00}$, $\overline{\text{INT11}}/\text{CNTR01}$ pin functions	Count source input ($\overline{\text{INT1}}$ interrupt input)
CNTR0 pin function	Programmable I/O port
Read from timer	The count value can be read out by reading registers TX and PREX.
Write to timer	<ul style="list-style-type: none"> • When registers TX and PREX are written while the count is stopped, values are written to both the reload register and counter. • When registers TX and PREX are written during the count, the value is written to each reload register of registers TX and PREX at the following count source input, the data is transferred to the counter at the second count source input, and the count re-starts at the third count source input.
Select functions	<ul style="list-style-type: none"> • $\overline{\text{INT1}}/\text{CNTR0}$ signal polarity switch function The R0EDG bit can select the active edge of the count source. • Count source input pin select function The CNTRSEL bit in the UCON register can select the CNTR00 or CNTR01 pin.

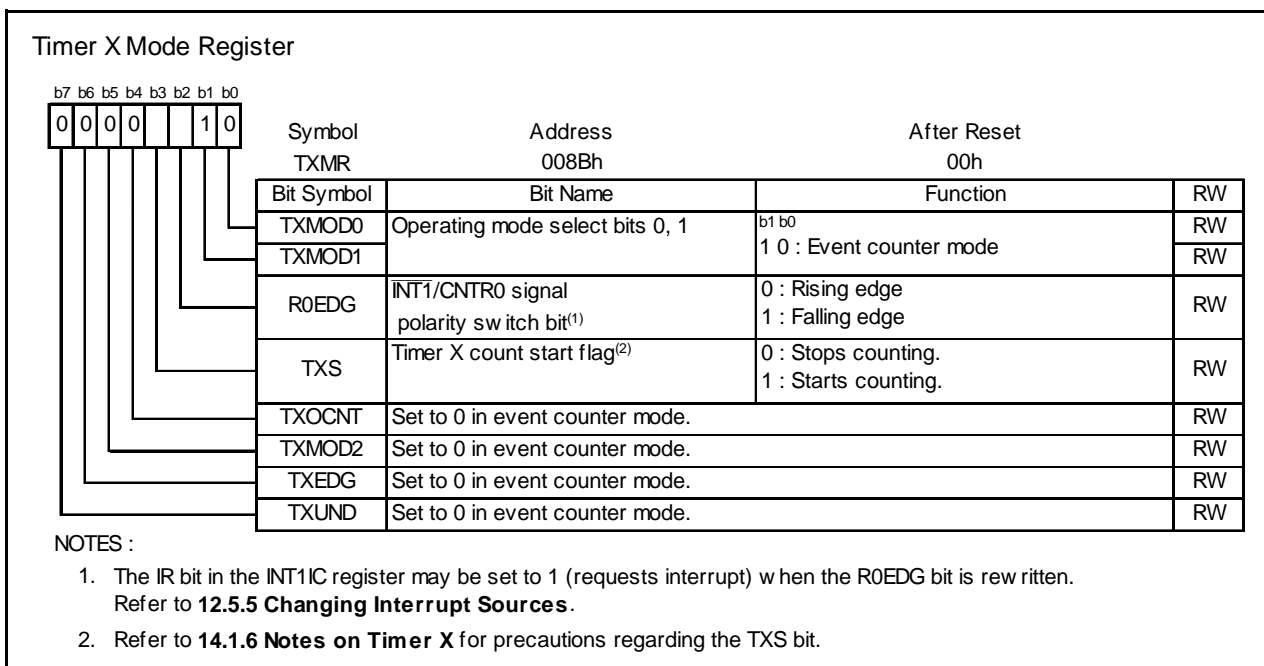


Figure 14.6 TXMR Register in Event Counter Mode

14.1.4 Pulse Width Measurement Mode

In pulse width measurement mode, the pulse width of an external signal input to the $\overline{\text{INT1}}/\text{CNTR0}$ pin is measured (refer to **Table 14.5 Pulse Width Measurement Mode Specifications**). Figure 14.7 shows the TXMR Register in Pulse Width Measurement Mode. Figure 14.8 shows an Operating Example in Pulse Width Measurement Mode.

Table 14.5 Pulse Width Measurement Mode Specifications

Item	Specification
Count sources	f1, f2, f8, fRING
Count operations	<ul style="list-style-type: none"> • Decrement • Continuously counts the selected signal only when the measured pulse is “H” level, or conversely only “L” level. • When the timer underflows, the contents of the reload register are reloaded and the count is continued.
Count start condition	1 (count starts) is written to the TXS bit in the TXMR register.
Count stop condition	0 (count stops) is written to the TXS bit in the TXMR register.
Interrupt request generation timing	<ul style="list-style-type: none"> • When timer X underflows [timer X interrupt]. • Rising or falling of the CNTR0 input (end of measurement period) [$\overline{\text{INT1}}$ interrupt]
$\overline{\text{INT10}}/\text{CNTR00}$, $\overline{\text{INT11}}/\text{CNTR01}$ pin functions	Measured pulse input ($\overline{\text{INT1}}$ interrupt input)
$\overline{\text{CNTR0}}$ pin function	Programmable I/O port
Read from timer	The count value can be read out by reading registers TX and PREX.
Write to timer	<ul style="list-style-type: none"> • When registers TX and PREX are written while the count is stopped, values are written to both the reload register and counter. • When registers TX and PREX are written during the count, the value is written to each reload register of registers TX and PREX at the following count source input, the data is transferred to the counter at the second count source input, and the count re-starts at the third count source input.
Select functions	<ul style="list-style-type: none"> • $\overline{\text{INT1}}/\text{CNTR0}$ signal polarity switch function The R0EDG bit can select “H” or “L” level period for the input pulse width measurement. • Measured pulse input pin select function The CNTRSEL bit in the UCON register can select the CNTR00 or CNTR01 pin.

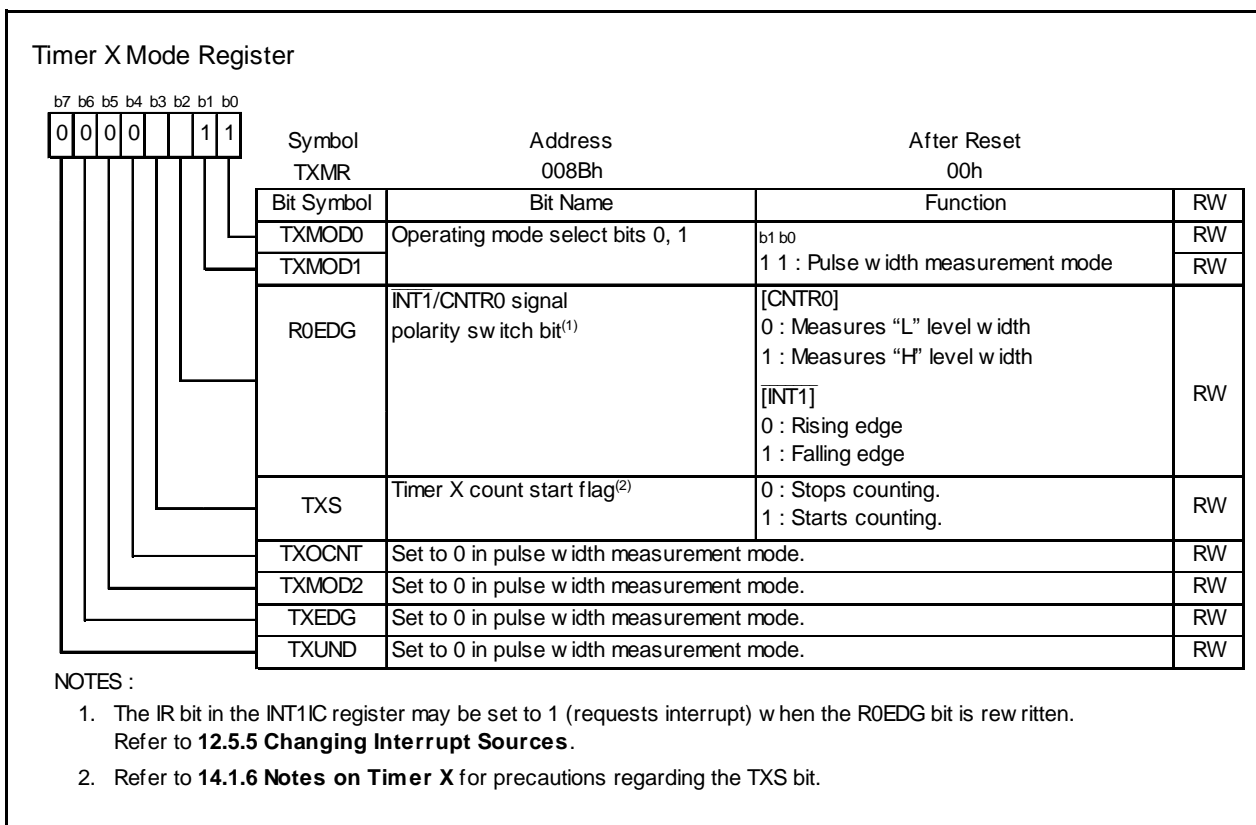


Figure 14.7 TXMR Register in Pulse Width Measurement Mode

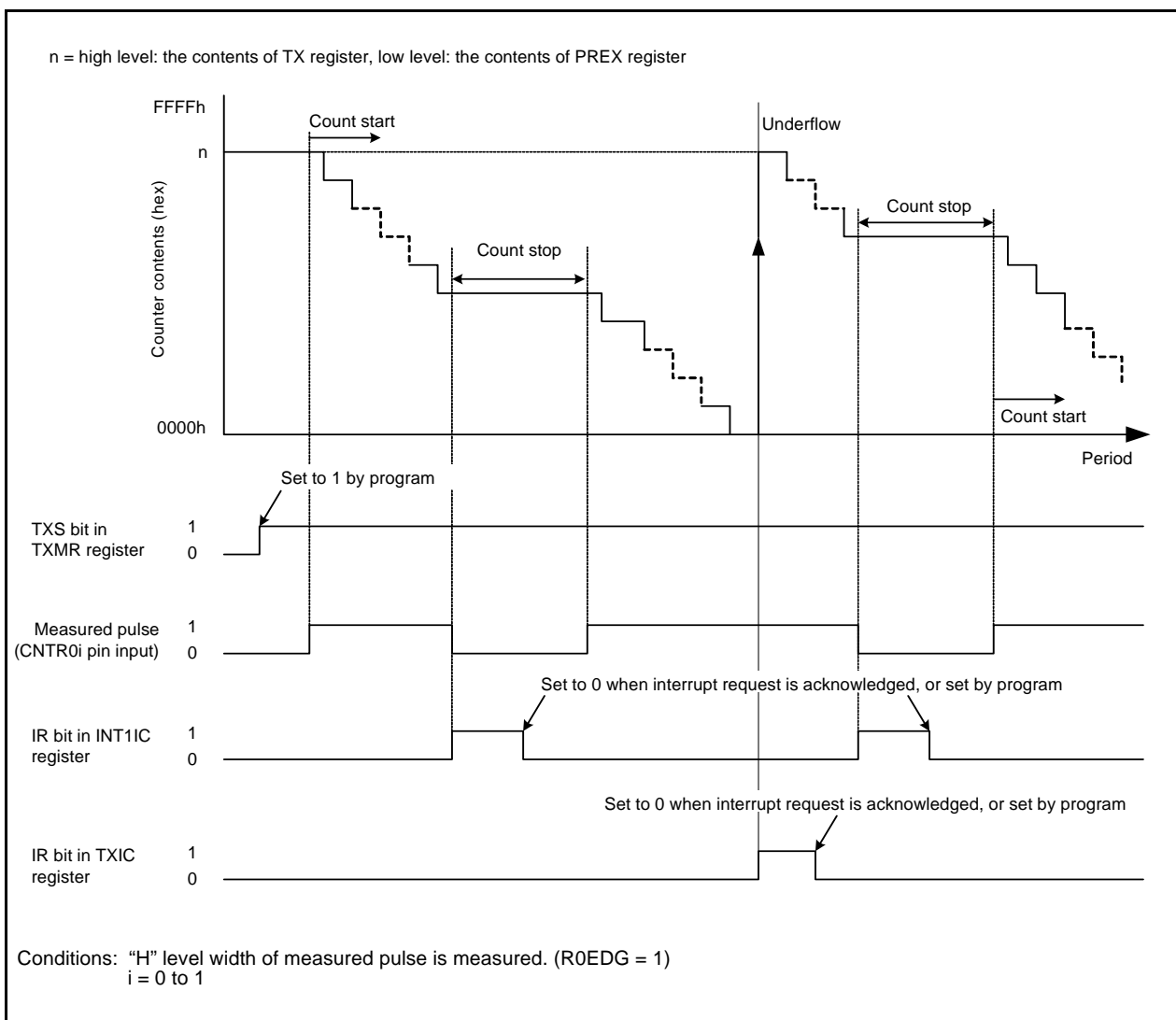


Figure 14.8 Operating Example in Pulse Width Measurement Mode

14.1.5 Pulse Period Measurement Mode

In pulse period measurement mode, the pulse period of an external signal input to the $\overline{\text{INT1}}$ /CNTR0 pin is measured (refer to **Table 14.6 Pulse Period Measurement Mode Specifications**). Figure 14.9 shows the TXMR Register in Pulse Period Measurement Mode. Figure 14.10 shows an Operating Example in Pulse Period Measurement Mode.

Table 14.6 Pulse Period Measurement Mode Specifications

Item	Specification
Count sources	f1, f2, f8, fRING
Count operations	<ul style="list-style-type: none"> Decrement After an active edge of the measured pulse is input, contents for the read-out buffer are retained at the first underflow of prescaler X. Then timer X reloads contents in the reload register at the second underflow of prescaler X and continues counting.
Count start condition	1 (count starts) is written to the TXS bit in the TXMR register.
Count stop condition	0 (count stops) is written to the TXS bit in the TXMR register.
Interrupt request generation timing	<ul style="list-style-type: none"> When timer X underflows or reloads [timer X interrupt]. Rising or falling of CNTR0 input (end of measurement period) [$\overline{\text{INT1}}$ interrupt]
$\overline{\text{INT10}}$ /CNTR00, $\overline{\text{INT11}}$ /CNTR01 pin functions	Measured pulse input ⁽¹⁾ ($\overline{\text{INT1}}$ interrupt input)
CNTR0 pin function	Programmable I/O port
Read from timer	Contents of the read-out buffer can be read out by reading the TX register. The value retained in the read-out buffer is released by reading the TX register.
Write to timer	<ul style="list-style-type: none"> When registers TX and PREX are written while the count is stopped, values are written to both the reload register and counter. When registers TX and PREX are written during the count, the value is written to each reload register of registers TX and PREX at the following count source input, the data is transferred to the counter at the second count source input, and the count re-starts at the third count source input.
Select functions	<ul style="list-style-type: none"> $\overline{\text{INT1}}$/CNTR0 polarity switch function The R0EDG bit can select the measurement period for the input pulse. Measured pulse input pin select function The CNTRSEL bit in the UCON register can select the CNTR00 or CNTR01 pin.

NOTE:

- Input a pulse with a period longer than twice of the prescaler X period. Input a pulse with a longer "H" and "L" width than the prescaler X period. If a pulse with a shorter period is input to the CNTR0 pin, the input may be ignored.

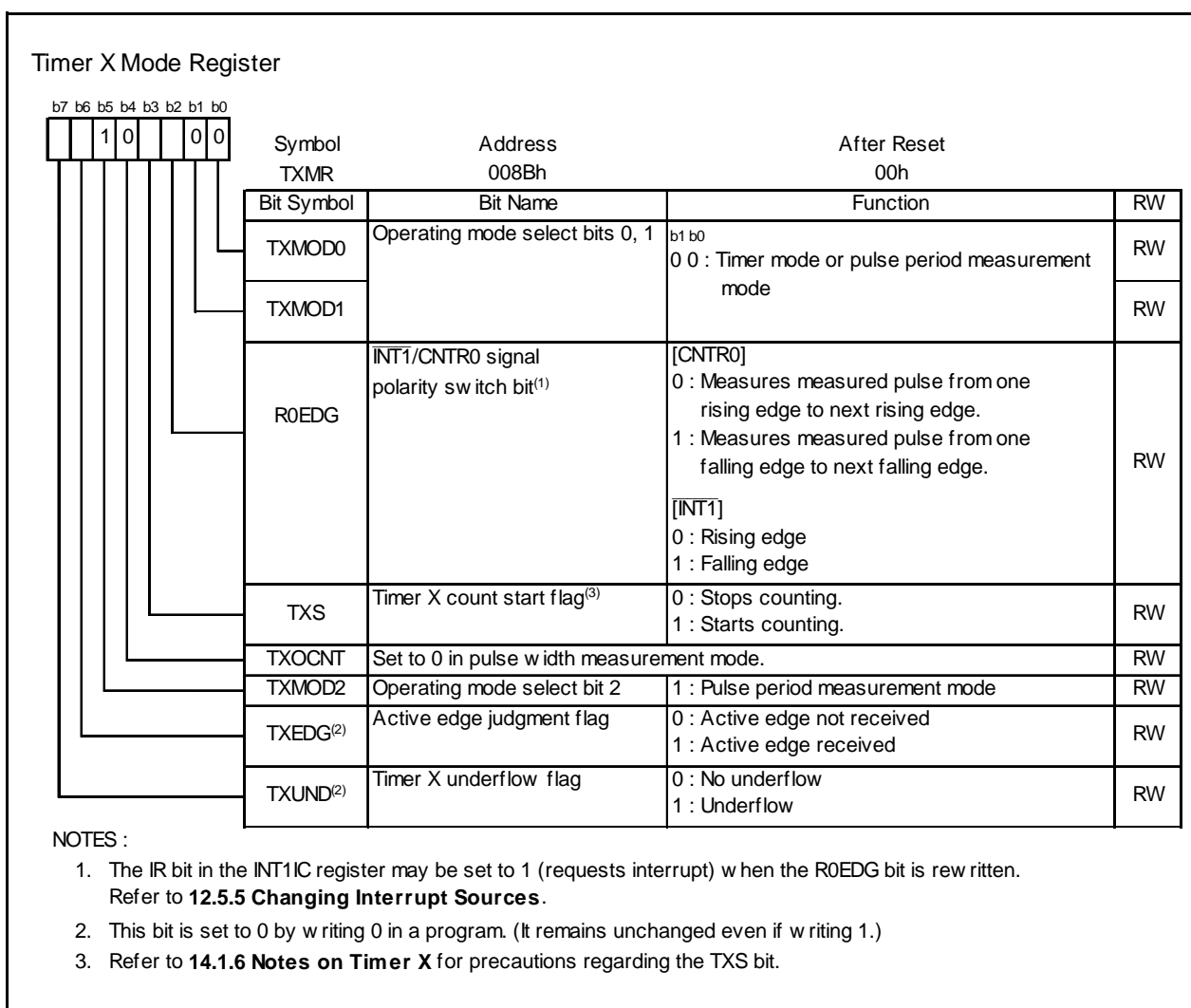


Figure 14.9 TXMR Register in Pulse Period Measurement Mode

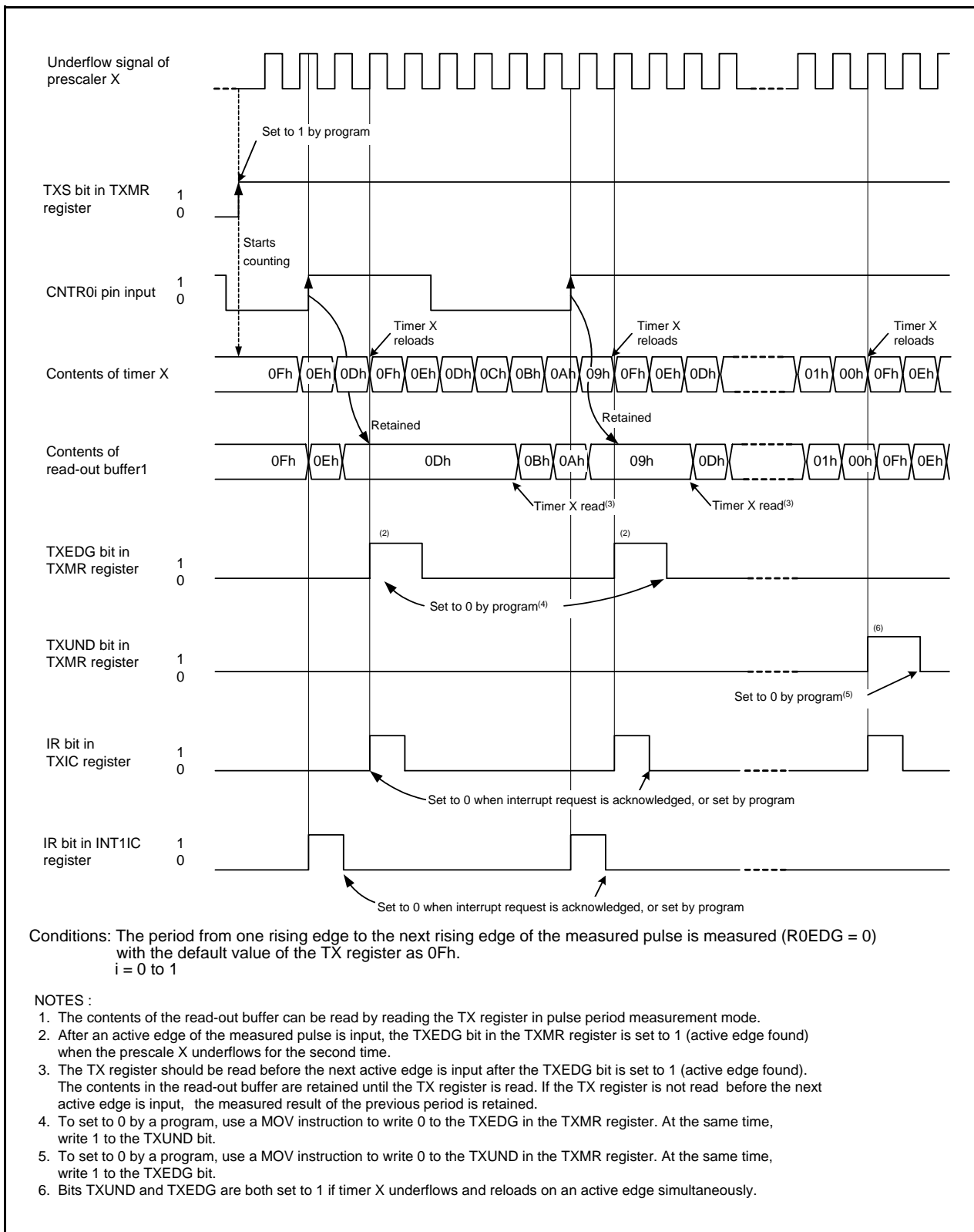


Figure 14.10 Operating Example in Pulse Period Measurement Mode

14.1.6 Notes on Timer X

- Timer X stops counting after a reset. Set the values in the timer and prescaler before the count starts.
- Even if the prescaler and timer are read out in 16-bit units, these registers are read 1 byte at a time by the MCU. Consequently, the timer value may be updated during the period when these two registers are being read.
- Do not rewrite bits TXMOD0 to TXMOD1, and bits TXMOD2 and TXS simultaneously.
- In pulse period measurement mode, bits TXEDG and TXUND in the TXMR register can be set to 0 by writing 0 to these bits by a program. However, these bits remain unchanged if 1 is written. When using the READ-MODIFY-WRITE instruction for the TXMR register, the TXEDG or TXUND bit may be set to 0 although these bits are set to 1 while the instruction is being executed. In this case, write 1 to the TXEDG or TXUND bit which is not supposed to be set to 0 with the MOV instruction.
- When changing to pulse period measurement mode from another mode, the contents of bits TXEDG and TXUND are undefined. Write 0 to bits TXEDG and TXUND before the count starts.
- The TXEDG bit may be set to 1 by the prescaler X underflow generated after the count starts.
- When using the pulse period measurement mode, leave two or more periods of the prescaler X immediately after the count starts, then set the TXEDG bit to 0.
- The TXS bit in the TXMR register has a function to instruct timer X to start or stop counting and a function to indicate that the count has started or stopped.

0 (count stops) can be read until the following count source is applied after 1 (count starts) is written to the TXS bit while the count is being stopped. If the following count source is applied, 1 can be read from the TXS bit. After writing 1 to the TXS bit, do not access registers associated with timer X (registers TXMR, PREX, TX, TCSS, and TXIC) except for the TXS bit, until 1 can be read from the TXS bit. The count starts at the following count source after the TXS bit is set to 1.

Also, after writing 0 (count stops) to the TXS bit during the count, timer X stops counting at the following count source.

1 (count starts) can be read by reading the TXS bit until the count stops after writing 0 to the TXS bit. After writing 0 to the TXS bit, do not access registers associated with timer X except for the TXS bit, until 0 can be read from the TXS bit.

14.2 Timer Z

Timer Z is an 8-bit timer with an 8-bit prescaler. The prescaler and timer each consist of a reload register and counter. The reload register and counter are allocated at the same address. Refer to the **Tables 14.7 to 14.10 for the Specifications of Each Mode**. Timer Z contains timer Z primary and timer Z secondary reload registers.

Figure 14.11 shows a Block Diagram of Timer Z. Figures 14.12 to 14.15 show registers TZMR, PREZ, TZSC, TZPR, TZOC, PUM, and TCSS.

Timer Z has the following four operating modes:

- Timer mode: The timer counts an internal count source or timer X underflows.
- Programmable waveform generation mode: The timer outputs pulses of a given width successively.
- Programmable one-shot generation mode: The timer outputs a one-shot pulse.
- Programmable wait one-shot generation mode: The timer outputs a delayed one-shot pulse.

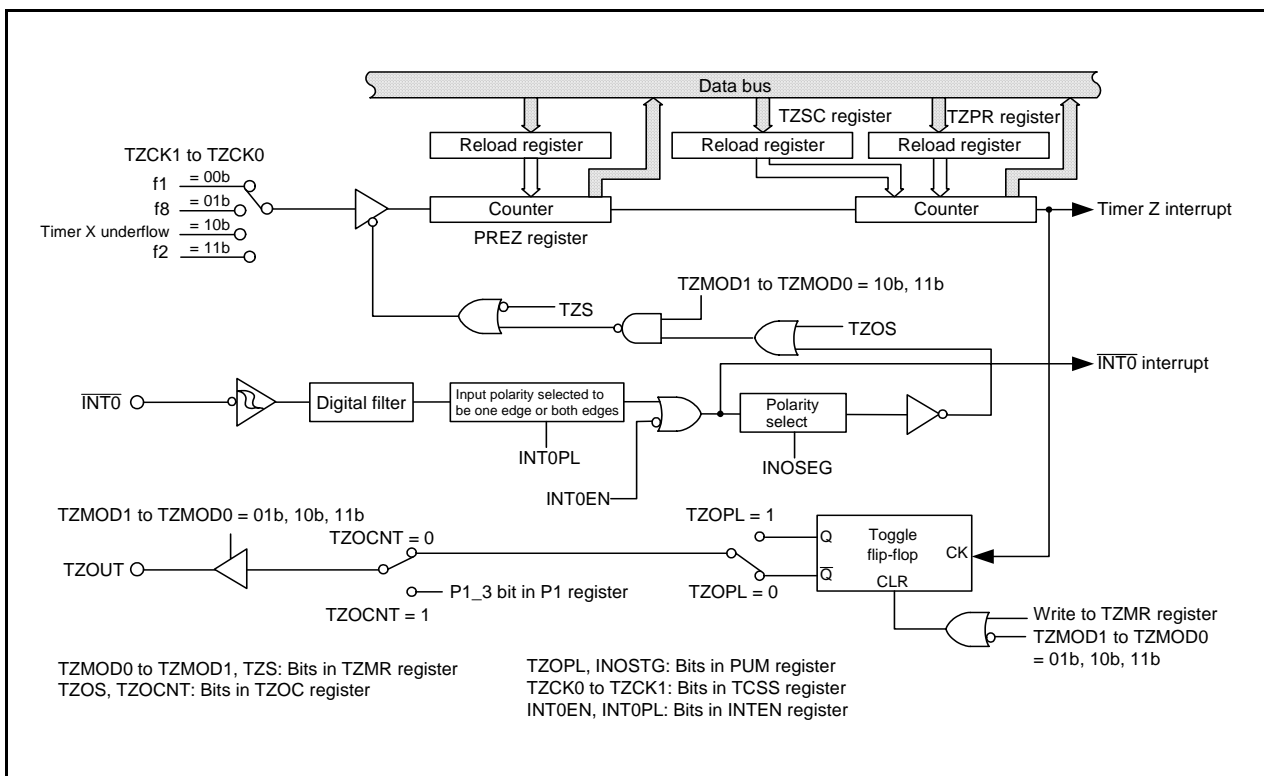


Figure 14.11 Block Diagram of Timer Z

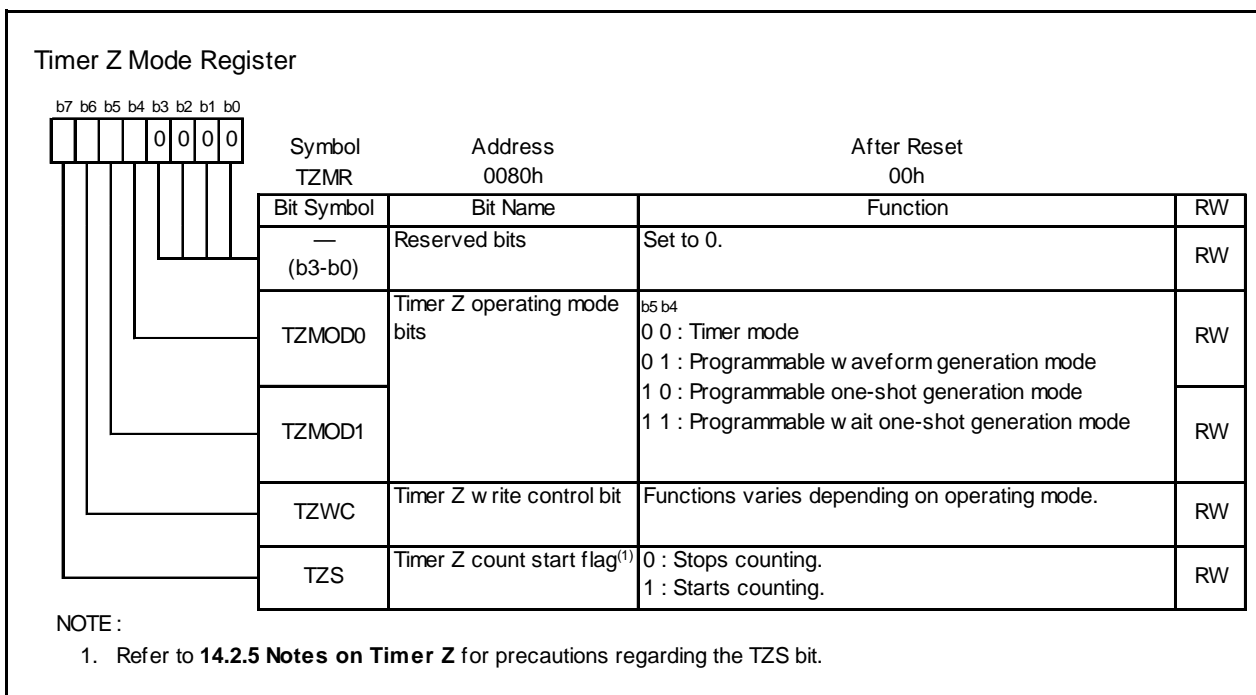


Figure 14.12 TZMR Register

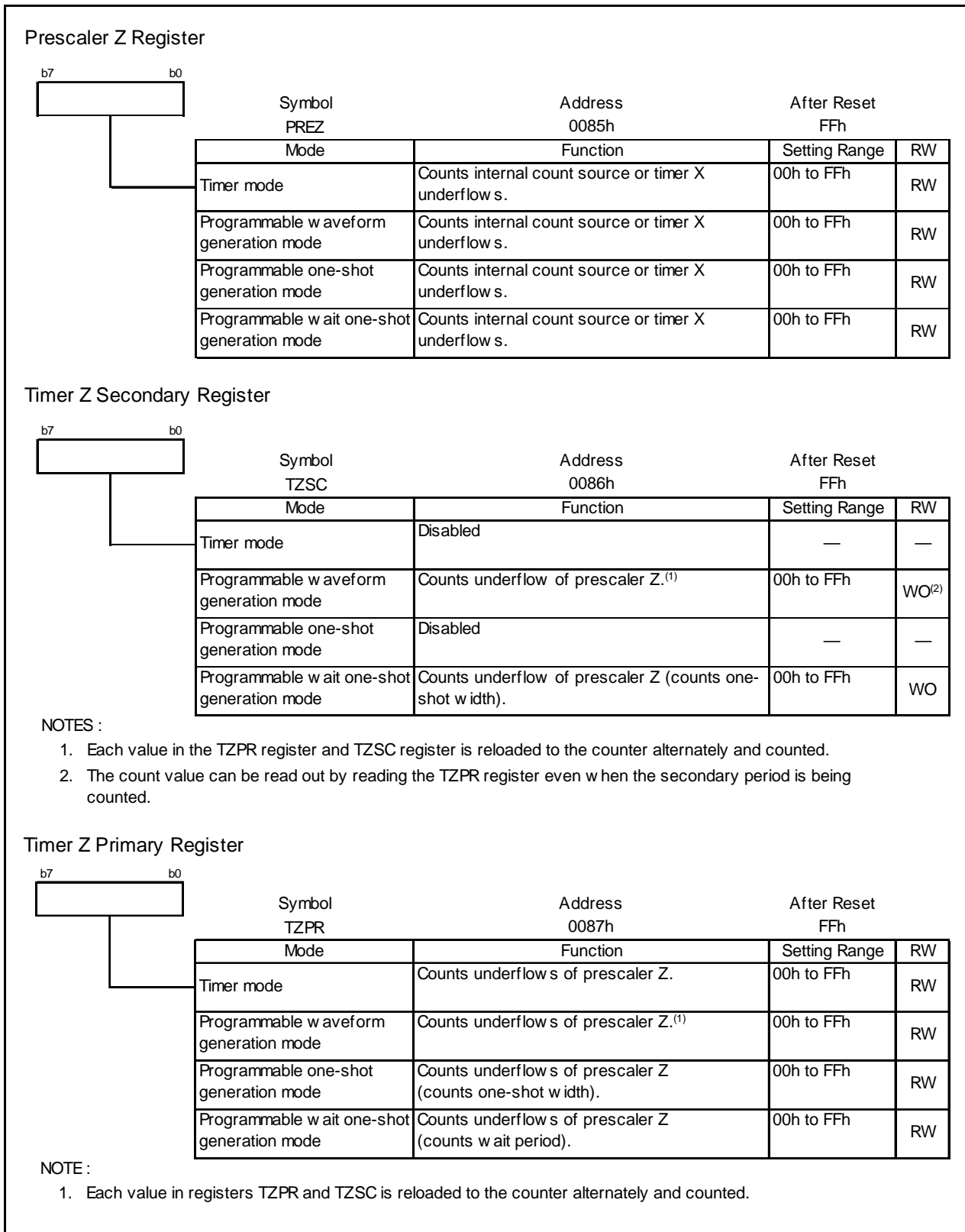


Figure 14.13 Registers PREZ, TZSC, and TZPR

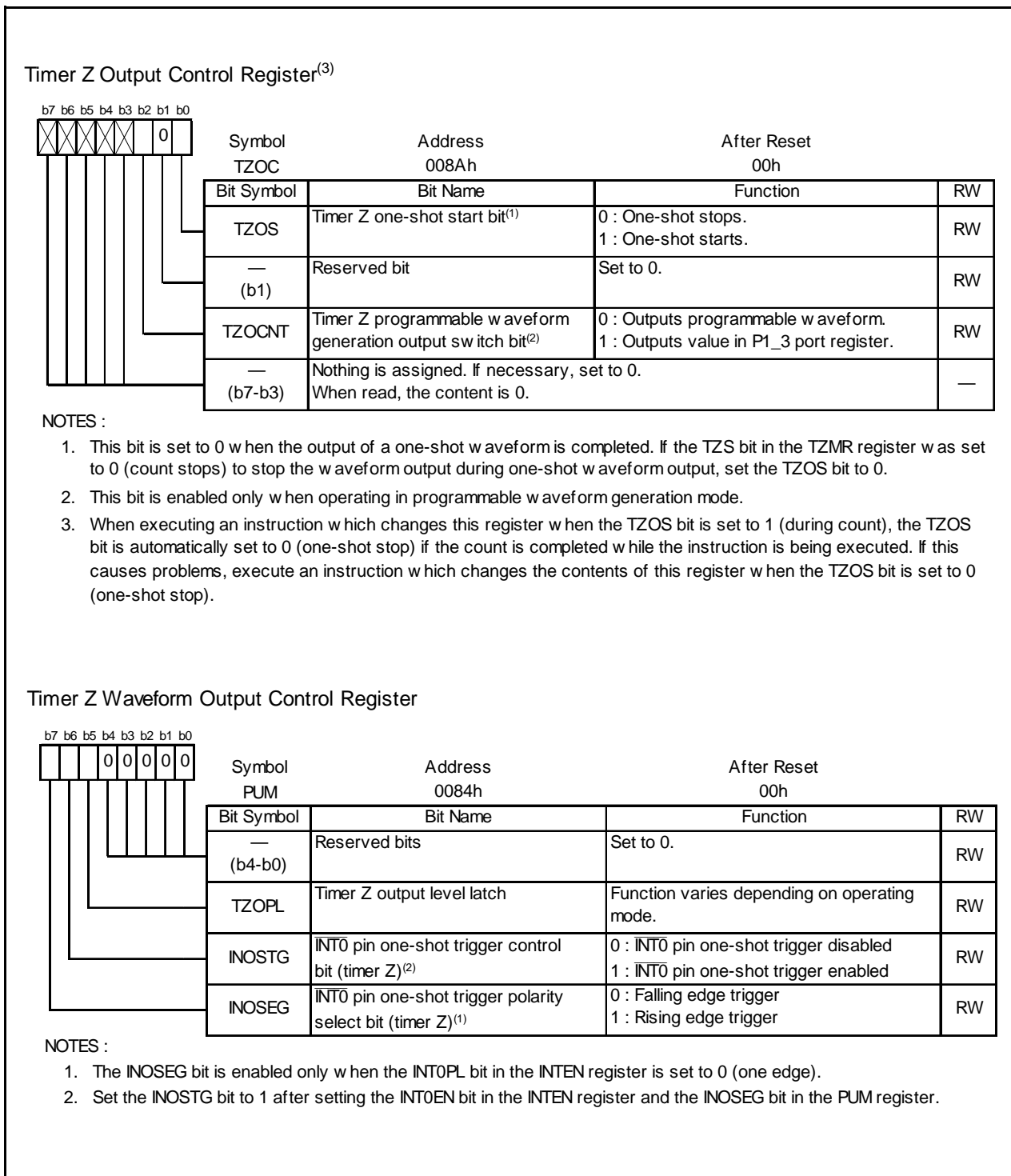


Figure 14.14 Registers TZOC and PUM

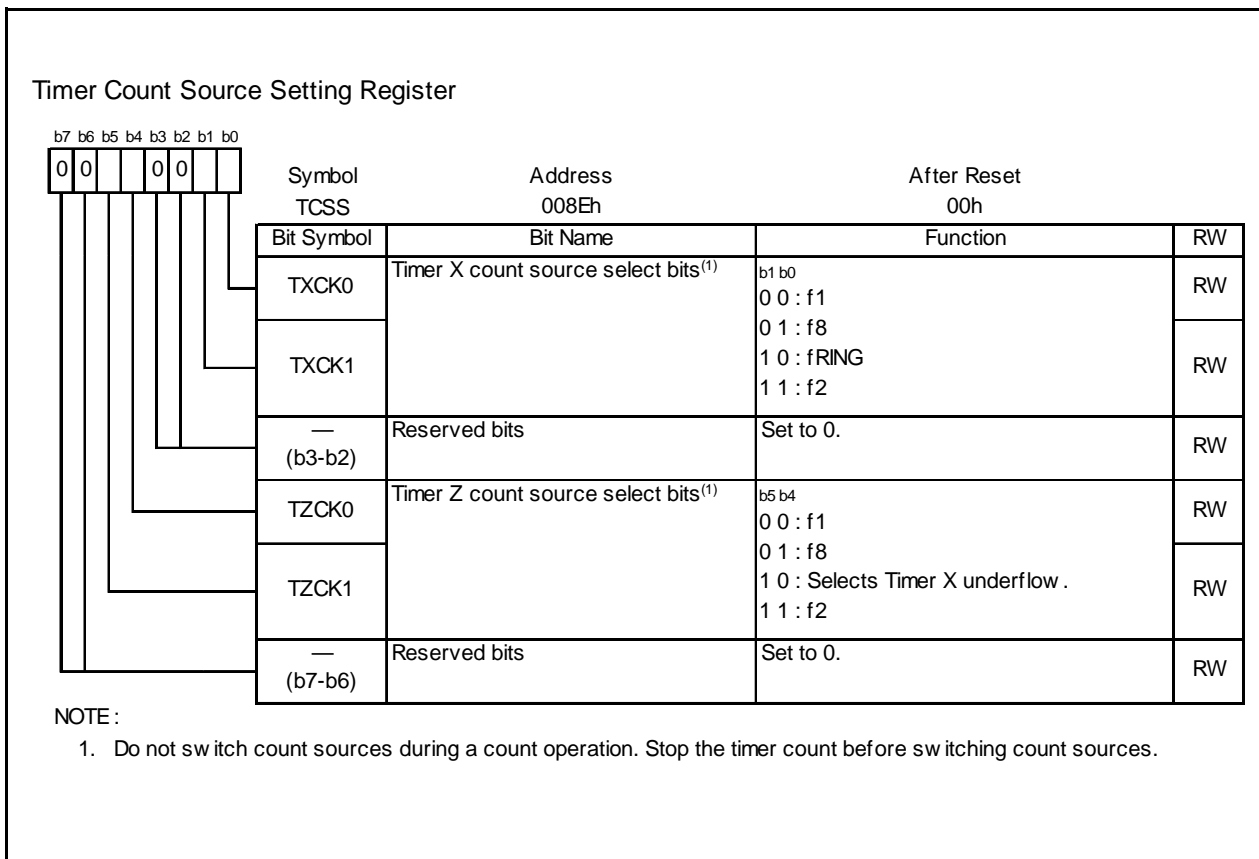


Figure 14.15 TCSS Register

14.2.1 Timer Mode

In timer mode, a count source which is internally generated or timer X underflow is counted (refer to **Table 14.7 Timer Mode Specifications**). The TZSC register is not used in timer mode. Figure 14.16 shows Registers TZMR and PUM in Timer Mode.

Table 14.7 Timer Mode Specifications

Item	Specification
Count sources	f1, f2, f8, Timer X underflow
Count operations	<ul style="list-style-type: none"> Decrement When the timer underflows, it reloads the reload register contents before the count continues. (When timer Z underflows, the contents of timer Z primary reload register is reloaded.)
Divide ratio	$1/(n+1)(m+1) f_i$: Count source frequency n: Value set in PREZ register, m: value set in TZPR register
Count start condition	1 (count starts) is written to the TZS bit in the TZMR register.
Count stop condition	0 (count stops) is written to the TZS bit in the TZMR register.
Interrupt request generation timing	<ul style="list-style-type: none"> When timer Z underflows [timer Z interrupt].
TZOUT pin function	Programmable I/O port
INT0 pin function	Programmable I/O port, or $\overline{\text{INT0}}$ interrupt input
Read from timer	The count value can be read out by reading registers TZPR and PREZ.
Write to timer ⁽¹⁾	<ul style="list-style-type: none"> When registers TZPR and PREZ are written while the count is stopped, values are written to both the reload register and counter. When registers TZPR and PREZ are written during the count while the TZWC bit is set to 0 (writing to the reload register and counter simultaneously), the value is written to each reload register of registers TZPR and PREZ at the following count source input, the data is transferred to the counter at the second count source input, and the count re-starts at the third count source input. When the TZWC bit is set to 1 (writing to only the reload register), the value is written to each reload register of registers TZPR and PREZ (the data is transferred to the counter at the following reload).

NOTE:

- The IR bit in the TZIC register is set to 1 (interrupt requested) when writing to the TZPR or PREZ register while both of the following conditions are met.
 - TZWC bit in TZMR register is set to 0 (write to reload register and counter simultaneously)
 - TZS bit in TZMR register is set to 1 (count starts)
 Disable interrupts before writing to the TZPR or PREZ register in the above state.

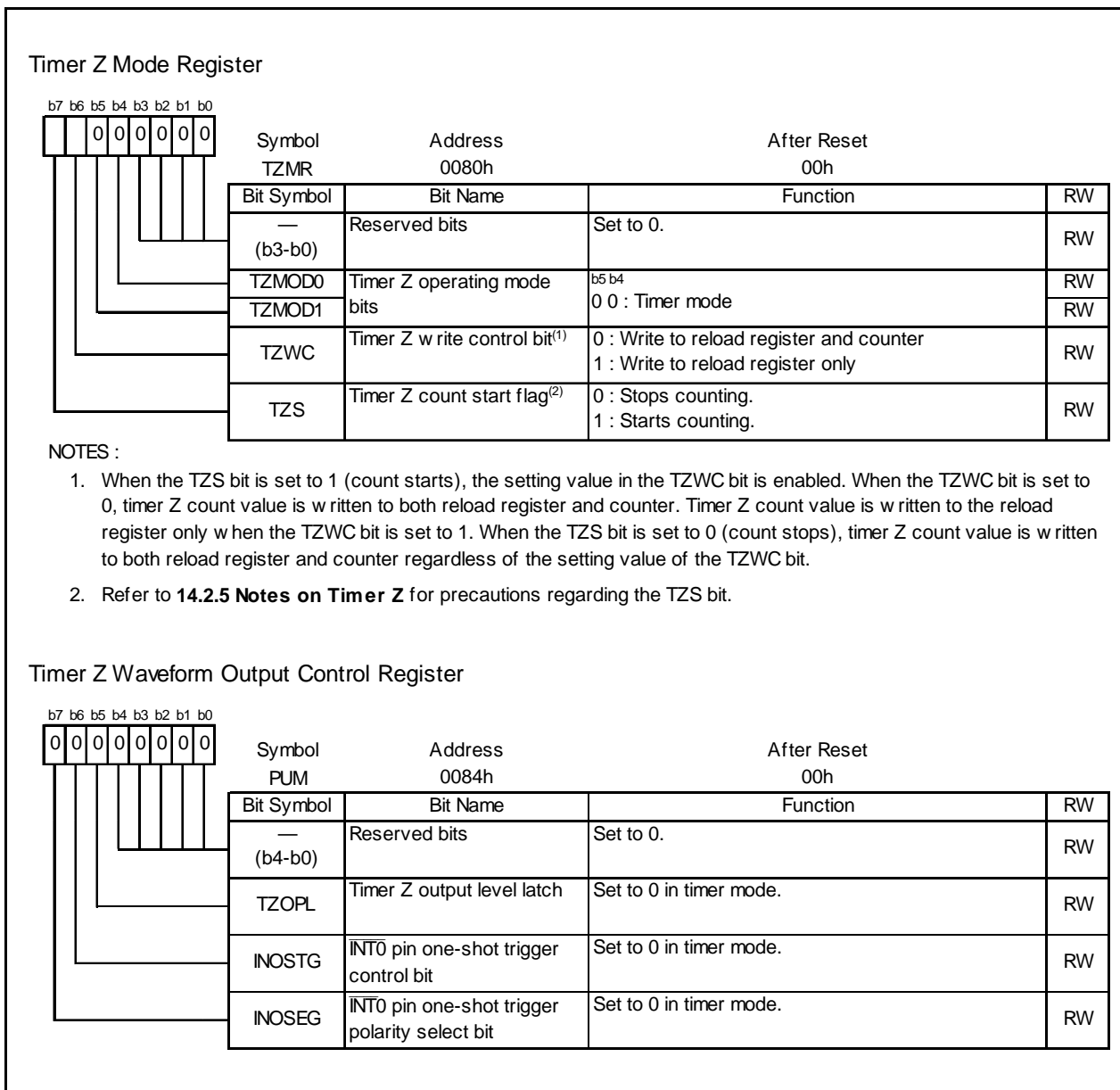


Figure 14.16 Registers TZMR and PUM in Timer Mode

14.2.2 Programmable Waveform Generation Mode

In programmable waveform generation mode, the signal output from the TZOUT pin is inverted each time the counter underflows, while the values in registers TZPR and TZSC are counted alternately (refer to **Table 14.8 Programmable Waveform Generation Mode Specifications**). Counting starts by counting the value set in the TZPR register. Figure 14.17 shows Registers TZMR and PUM in Programmable Waveform Generation Mode. Figure 14.18 shows an Operating Example of Timer Z in Programmable Waveform Generation Mode.

Table 14.8 Programmable Waveform Generation Mode Specifications

Item	Specification
Count sources	f1, f2, f8, timer X underflow
Count operations	<ul style="list-style-type: none"> • Decrement • When the timer underflows, it reloads the contents of the primary reload and secondary reload registers alternately before the count is continued.
Width and period of output waveform	Primary period: $(n+1)(m+1)/f_i$ Secondary period: $(n+1)(p+1)/f_i$ Period: $(n+1)\{(m+1)+(p+1)\}/f_i$ f_i : Count source frequency n : Value set in PREZ register, m : value set in TZPR register, p : value set in TZSC register
Count start condition	1 (count starts) is written to the TZS bit in the TZMR register.
Count stop condition	0 (count stops) is written to the TZS bit in the TZMR register.
Interrupt request generation timing	In half a cycle of the count source, after timer Z underflows during the secondary period (at the same time as the TZout output change) [timer Z interrupt].
TZOUT pin function	Pulse output (To use this pin as a programmable I/O port, select timer mode.)
$\overline{\text{INT0}}$ pin function	Programmable I/O port, or $\overline{\text{INT0}}$ interrupt input
Read from timer	The count value can be read out by reading registers TZPR and PREZ. ⁽¹⁾
Write to timer	The value written to registers TZSC, PREZ, and TZPR is written to the reload register only ⁽²⁾
Select functions	<ul style="list-style-type: none"> • Output level latch select function The TZOPL bit can select the output level during primary and secondary periods. • Programmable waveform generation output switch function When the TZOCNT bit in the TZOC register is set to 0, the output from the TZOUT pin is inverted synchronously when timer Z underflows. When set to 1, the value in the P1_3 bit is output from the TZOUT pin⁽³⁾

NOTES:

1. Even when counting the secondary period, the TZPR register may be read.
2. The value set in registers TZPR and TZSC are made effective by writing a value to the TZPR register. The set values are reflected in the waveform output beginning with the following primary period after writing to the TZPR register.
3. The TZOCNT bit is enabled by the following.
 - When counting starts.
 - When a timer Z interrupt request is generated. The contents after the TZOCNT bit is changed are reflected from the output of the following primary period.

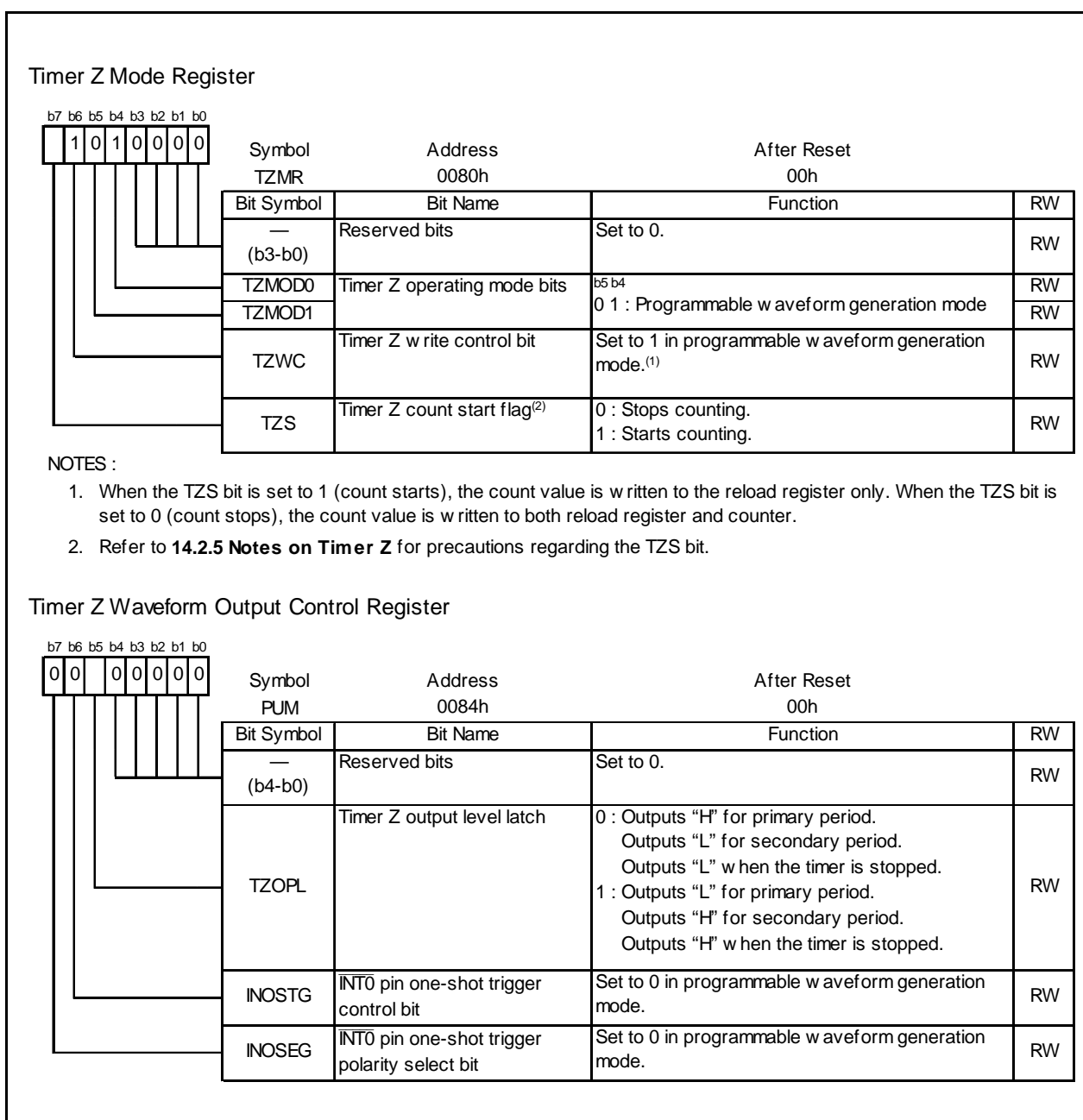


Figure 14.17 Registers TZMR and PUM in Programmable Waveform Generation Mode

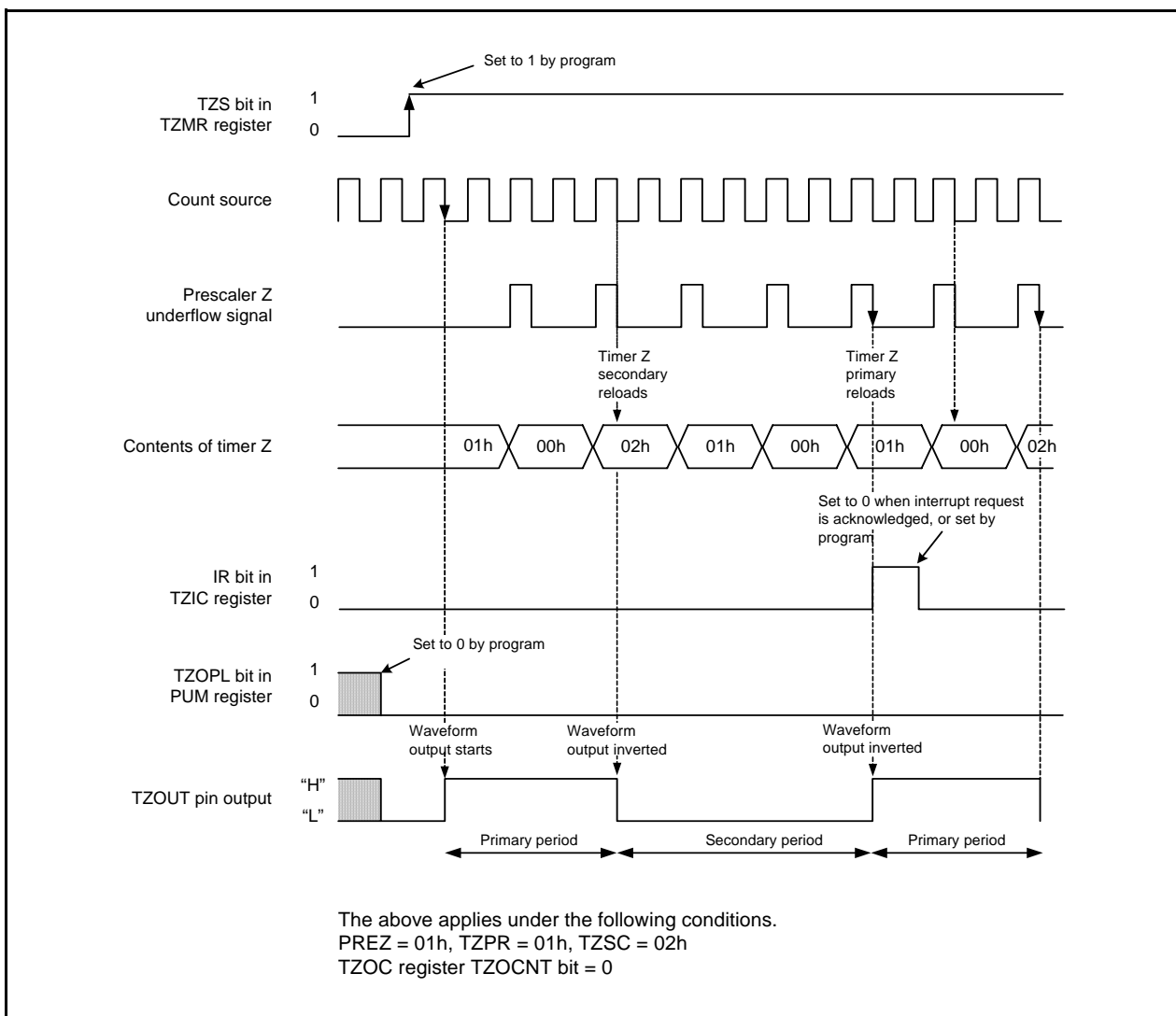


Figure 14.18 Operating Example of Timer Z in Programmable Waveform Generation Mode

14.2.3 Programmable One-shot Generation Mode

In programmable one-shot generation mode, one-shot pulse is output from the TZOUT pin by a program or an external trigger input (input to the $\overline{\text{INT0}}$ pin) (refer to **Table 14.9 Programmable One-Shot Generation Mode Specifications**). When a trigger is generated, the timer starts operating from the point only once for a given period equal to the set value in the TZPR register. The TZSC register is not used in this mode. Figure 14.19 shows Registers TZMR and PUM in Programmable One-Shot Generation Mode. Figure 14.20 shows an Operating Example in Programmable One-Shot Generation Mode.

Table 14.9 Programmable One-Shot Generation Mode Specifications

Item	Specification
Count sources	f1, f2, f8, Timer X underflow
Count operations	<ul style="list-style-type: none"> Decrement the value set in the TZPR register When the timer underflows, it reloads the contents of the reload register before the count completes and the TZOS bit is set to 0 (one-shot stops). When the count stops, the timer reloads the contents of the reload register before it stops.
One-shot pulse output time	$(n+1)(m+1)/f_i$ f_i : Count source frequency, n : value set in PREZ register, m : value set in TZPR register
Count start conditions	<ul style="list-style-type: none"> Set the TZOS bit in the TZOC register to 1 (one-shot starts).⁽¹⁾ Input active trigger to the $\overline{\text{INT0}}$ pin⁽²⁾
Count stop conditions	<ul style="list-style-type: none"> When reloading completes after the count value is set to 00h. When the TZS bit in the TZMR register is set to 0 (count stops). When the TZOS bit in the TZOC register is set to 0 (one-shot stops).
Interrupt request generation timing	In half a cycle of the count source, after the timer underflows (at the same time as the TZOUT output ends) [timer Z interrupt].
TZOUT pin function	Pulse output (To use this pin as a programmable I/O port, select timer mode.)
$\overline{\text{INT0}}$ pin function	<ul style="list-style-type: none"> When the INOSTG bit in the PUM register is set to 0 ($\overline{\text{INT0}}$ one-shot trigger disabled): programmable I/O port or $\overline{\text{INT0}}$ interrupt input When the INOSTG bit in the PUM register is set to 1 ($\overline{\text{INT0}}$ one-shot trigger enabled): external trigger ($\overline{\text{INT0}}$ interrupt input)
Read from timer	The count value can be read out by reading registers TZPR and PREZ.
Write to timer	The value written to registers TZPR and PREZ is written to the reload register only ⁽³⁾ .
Select functions	<ul style="list-style-type: none"> Output level latch select function The TZOPL bit can select the output level of the one-shot pulse waveform. $\overline{\text{INT0}}$ pin one-shot trigger control and polarity select functions The INOSTG bit can select the trigger as active or inactive from the $\overline{\text{INT0}}$ pin. Also, the INOSEG bit can select the active trigger polarity.

NOTES:

- Set the TZS bit in the TZMR register to 1 (count starts).
- Set the TZS bit to 1 (count starts), the INT0EN bit in the INTEN register to 1 (enables $\overline{\text{INT0}}$ input), and the INOSTG bit in the PUM register to 1 ($\overline{\text{INT0}}$ one-shot trigger enabled). A trigger which is input during the count cannot be acknowledged, however an $\overline{\text{INT0}}$ interrupt request is generated.
- The set value is reflected at the following one-shot pulse after writing to the TZPR register.

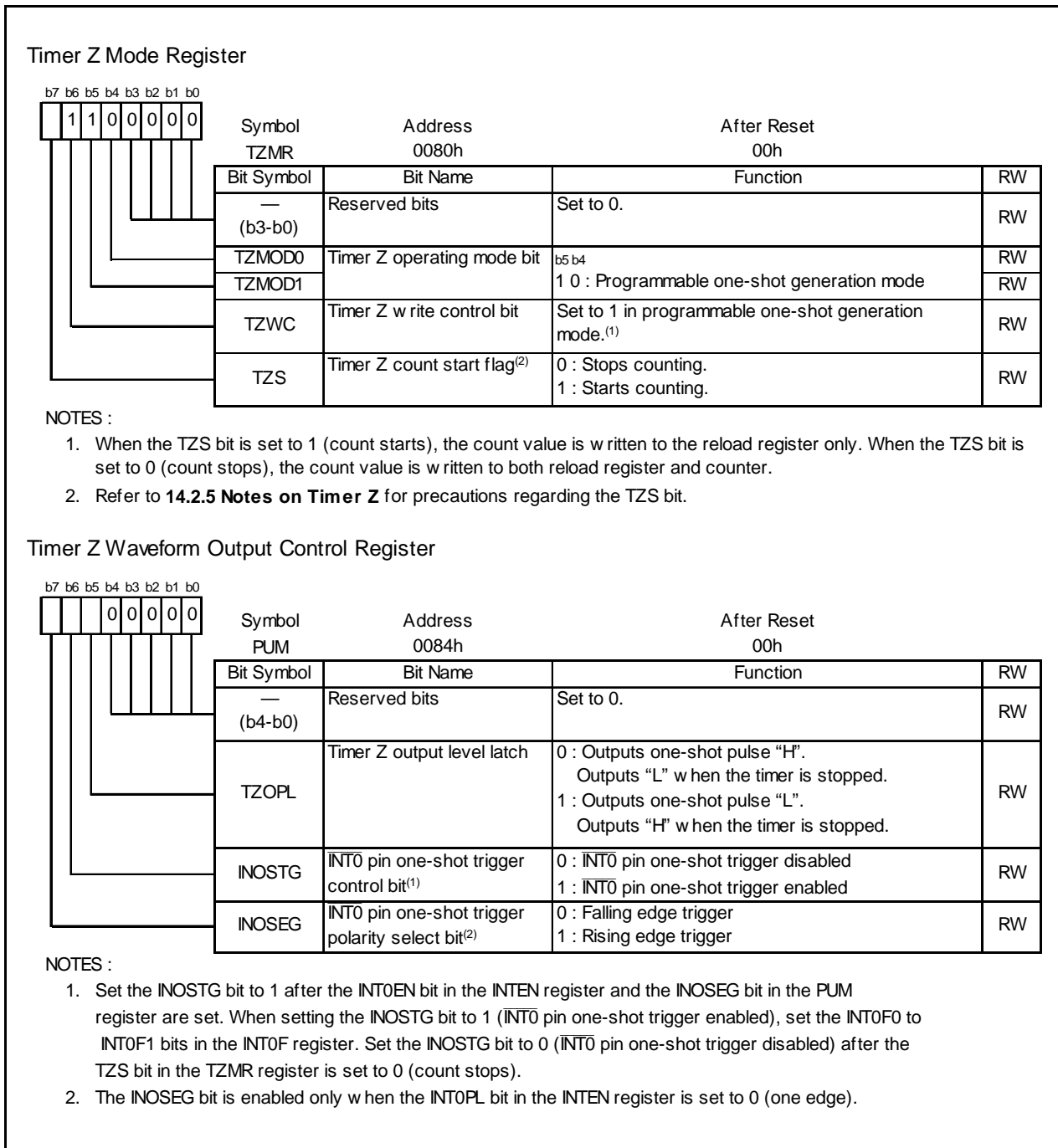


Figure 14.19 Registers TZMR and PUM in Programmable One-Shot Generation Mode

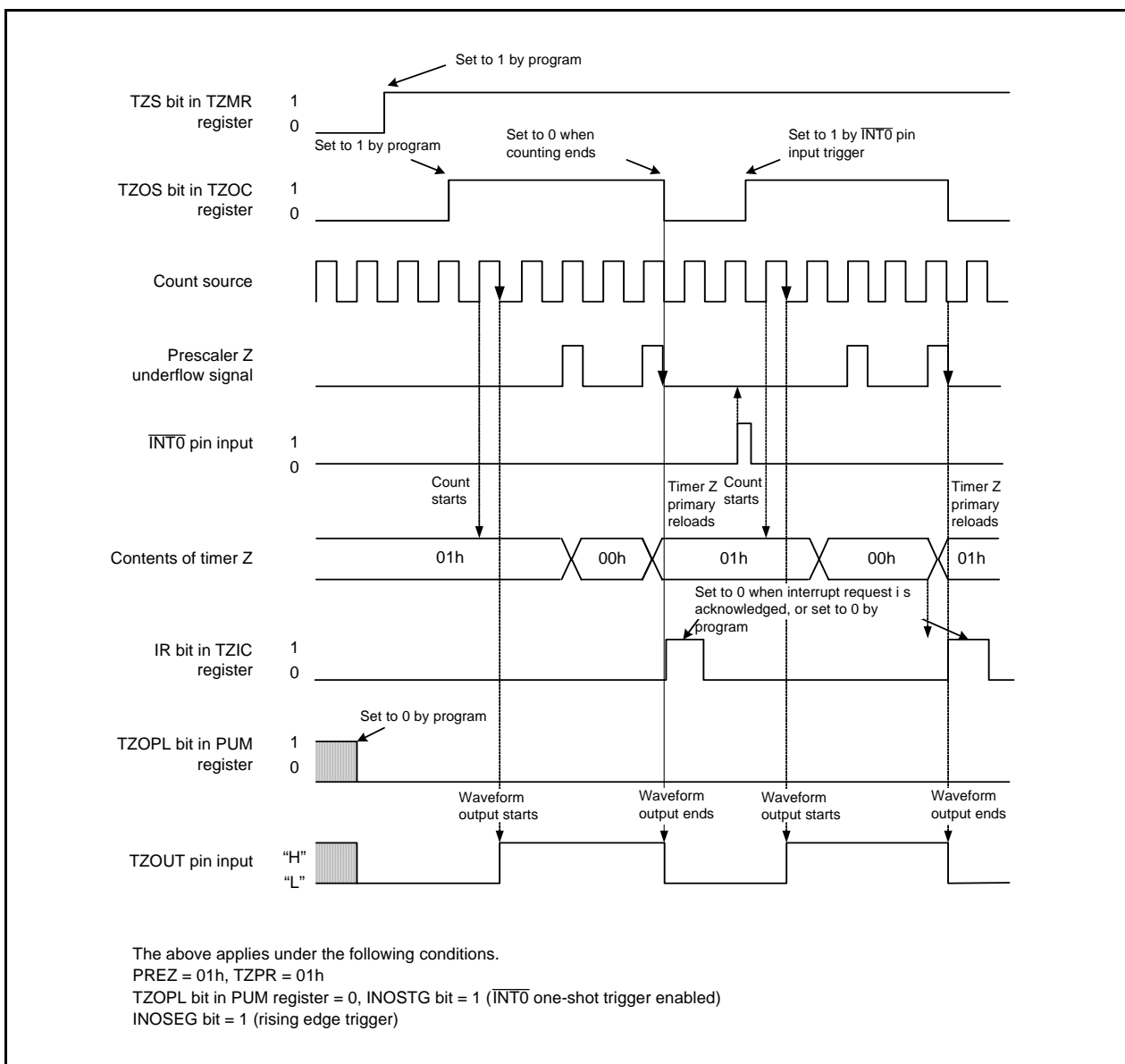


Figure 14.20 Operating Example in Programmable One-Shot Generation Mode

14.2.4 Programmable Wait One-Shot Generation Mode

In programmable wait one-shot generation mode, a one-shot pulse is output from the TZOUT pin by a program or an external trigger input (input to the $\overline{\text{INT0}}$ pin) (refer to **Table 14.10 Programmable Wait One-Shot Generation Mode Specifications**). When a trigger is generated, from that point the timer outputs a pulse only once for a given length of time equal to the setting value in the TZSC register after waiting for a given length of time equal to the value set in the TZPR register. Figure 14.21 shows Registers TZMR and PUM in Programmable Wait One-Shot Generation Mode. Figure 14.22 shows an Operating Example in Programmable Wait One-Shot Generation Mode.

Table 14.10 Programmable Wait One-Shot Generation Mode Specifications

Item	Specification
Count sources	f1, f2, f8, Timer X underflow
Count operations	<ul style="list-style-type: none"> • Decrement the value set in Timer Z primary • When the count of TZPR register underflows, the timer reloads the contents of the TZSC register before the count is continued. • When the count of the TZSC register underflows, the timer reloads the contents of the TZPR register before the count completes and the TZOS bit is set to 0. • When the count stops, the timer reloads the contents of the reload register before it stops.
Wait time	$(n+1)(m+1)/f_i$ f_i : Count source frequency n : Value set in PREZ register, m : value set in TZPR register
One-shot pulse output time	$(n+1)(p+1)/f_i$ f_i : Count source frequency n : Value set in PREZ register, p : value set in TZSC register
Count start conditions	<ul style="list-style-type: none"> • Set the TZOS bit in the TZOC register to 1 (one-shot starts).(1) • Input active trigger to the $\overline{INT0}$ pin(2)
Count stop conditions	<ul style="list-style-type: none"> • When reloading completes after timer Z underflows during secondary period. • When the TZS bit in the TZMR register is set to 0 (count stops). • When the TZOS bit in the TZOC register is set to 0 (one-shot stops).
Interrupt request generation timing	In half a cycle of the count source after timer Z underflows during secondary period (complete at the same time as waveform output from the TZOUT pin) [timer Z interrupt].
TZOUT pin function	Pulse output (To use this pin as a programmable I/O port, select timer mode.)
$\overline{INT0}$ pin function	<ul style="list-style-type: none"> • When the INOSTG bit in the PUM register is set to 0 ($\overline{INT0}$ one-shot trigger disabled): programmable I/O port or $\overline{INT0}$ interrupt input • When the INOSTG bit in the PUM register is set to 1 ($\overline{INT0}$ one-shot trigger enabled): external trigger ($\overline{INT0}$ interrupt input)
Read from timer	The count value can be read out by reading registers TZPR and PREZ.
Write to timer	The value written to registers TZPR and PREZ is written to the reload register only(3).
Select functions	<ul style="list-style-type: none"> • Output level latch select function The output level of the one-shot pulse waveform is selected by the TZOPL bit. • $\overline{INT0}$ pin one-shot trigger control function and polarity select function Trigger input from the $\overline{INT0}$ pin can be set to active or inactive by the INOSTG bit. Also, the active trigger's polarity can be selected by the INOSEG bit.

NOTES:

1. The TZS bit in the TZMR register must be set to 1 (start counting).
2. The TZS bit must be set to 1 (start counting), the $\overline{INT0}EN$ bit in the \overline{INTEN} register to 1 (enabling $\overline{INT0}$ input), and the INOSTG bit in the PUM register to 1 (enabling $\overline{INT0}$ one-shot trigger). A trigger which is input during the count cannot be acknowledged, however an $\overline{INT0}$ interrupt request is generated.
3. The set values are reflected at the following one-shot pulse after writing to the TZPR register.

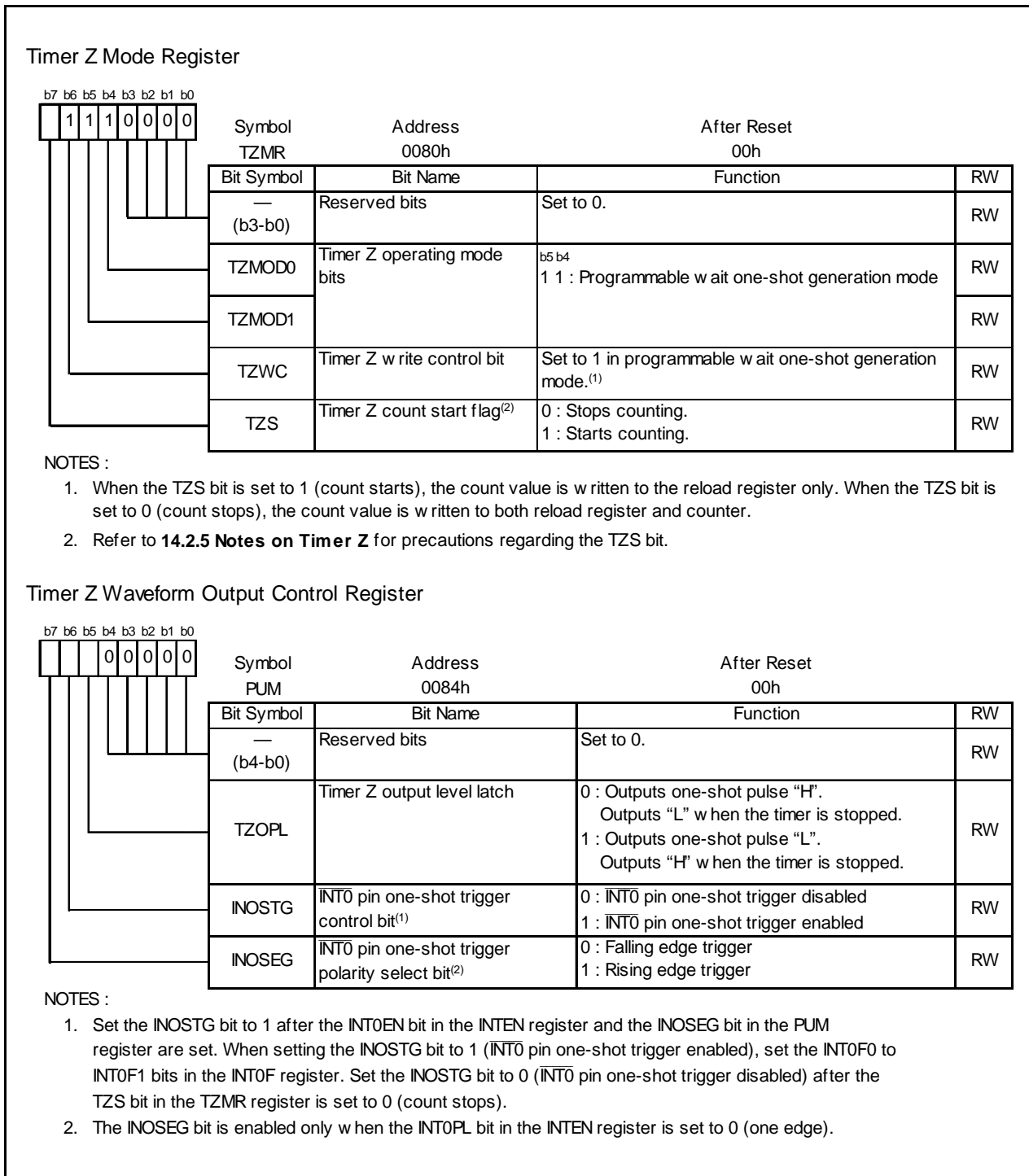


Figure 14.21 Registers TZMR and PUM in Programmable Wait One-Shot Generation Mode

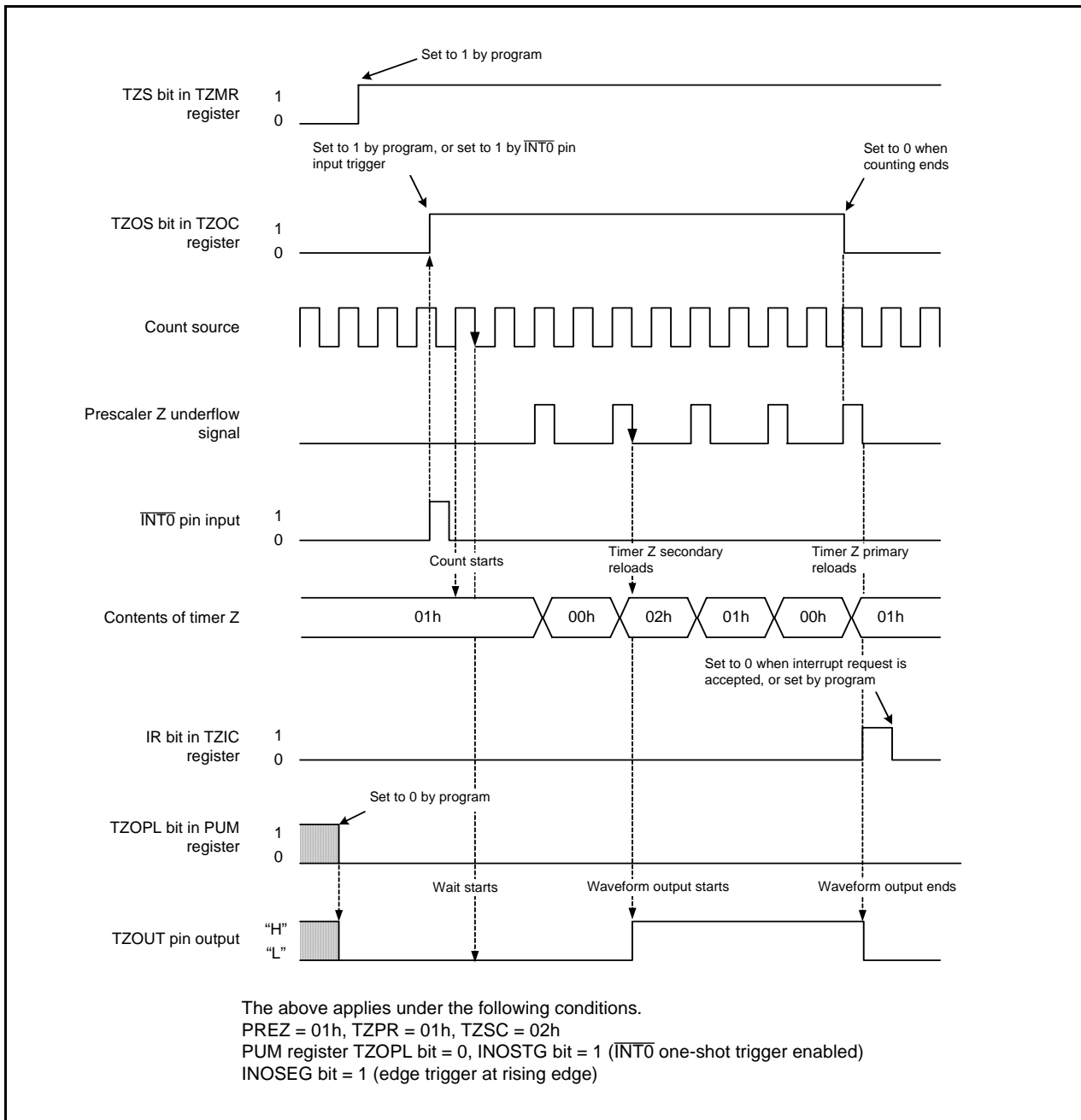


Figure 14.22 Operating Example in Programmable Wait One-Shot Generation Mode

14.2.5 Notes on Timer Z

- Timer Z stops counting after a reset. Set the values in the timer and prescaler before the count starts.
- Even if the prescaler and timer are read out in 16-bit units, these registers are read 1 byte at a time by the MCU. Consequently, the timer value may be updated during the period when these two registers are being read.
- Do not rewrite bits TZMOD0 to TZMOD1, and the TZS bit simultaneously.
- In programmable one-shot generation mode, and programmable wait one-shot generation mode, when setting the TZS bit in the TZMR register to 0 (stops counting) or setting the TZOS bit in the TZOC register to 0 (stops one-shot), the timer reloads the value of the reload register and stops. Therefore, in programmable one-shot generation mode and programmable wait one-shot generation mode read the timer count value before the timer stops.
- The TZS bit in the TZMR register has a function to instruct timer Z to start or stop counting and a function to indicate that the count has started or stopped.

0 (count stops) can be read until the following count source is applied after 1 (count starts) is written to the TZS bit while the count is being stopped. If the following count source is applied, 1 can be read from the TZS bit. After writing 1 to the TZS bit, do not access registers associated with timer Z (registers TZMR, PREZ, TZSC, TZPR, TZOC, PUM, TCSC, and TZIC) except for the TZS bit, until 1 can be read from the TZS bit. The count starts at the following count source after the TZS bit is set to 1.

Also, after writing 0 (count stops) to the TZS bit during the count, timer Z stops counting at the following count source.

1 (count starts) can be read by reading the TZS bit until the count stops after writing 0 to the TZS bit. After writing 0 to the TZS bit, do not access registers associated with timer Z except for the TZS bit, until 0 can be read from the TZS bit.

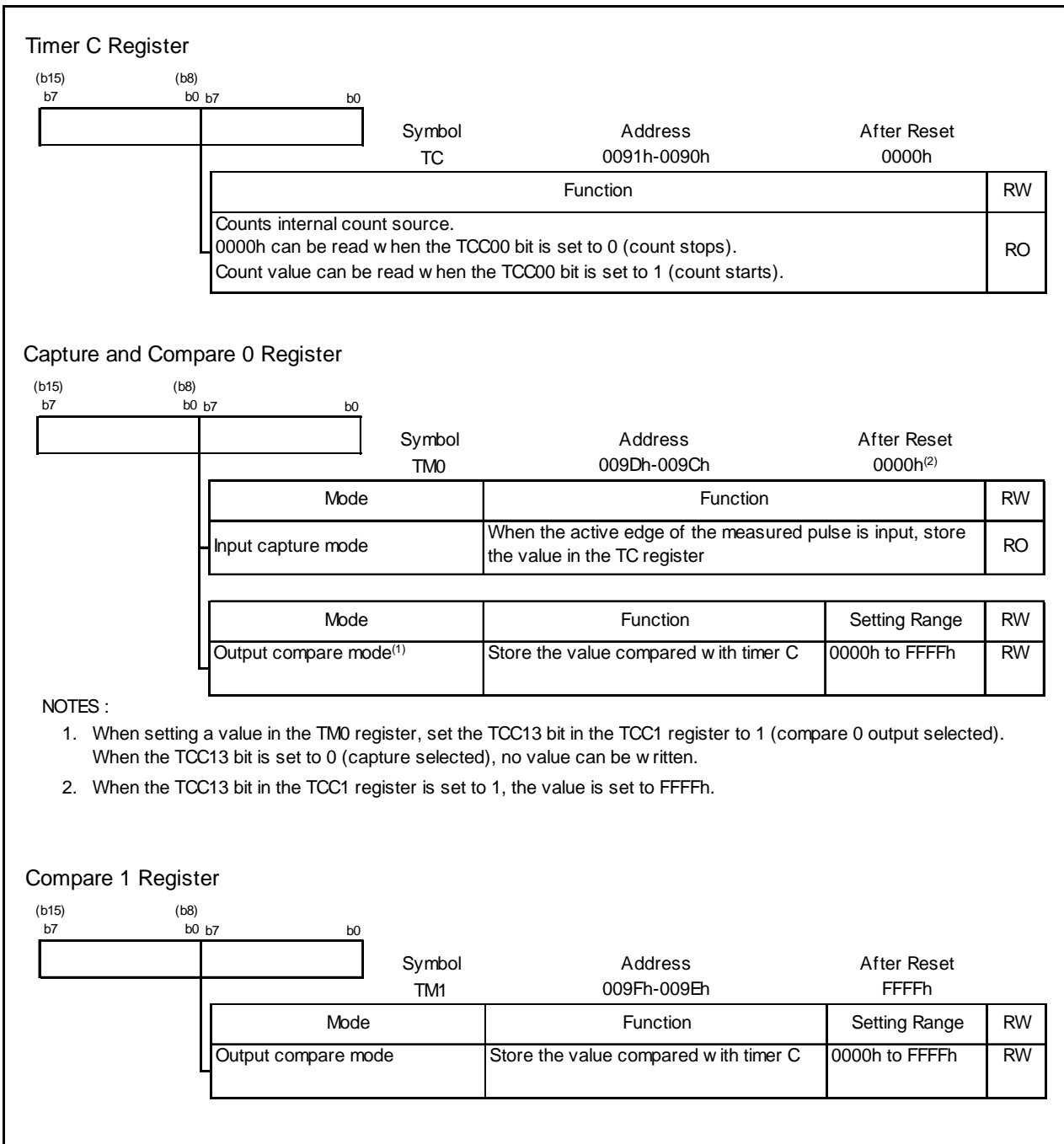


Figure 14.26 Registers TC, TM0, and TM1

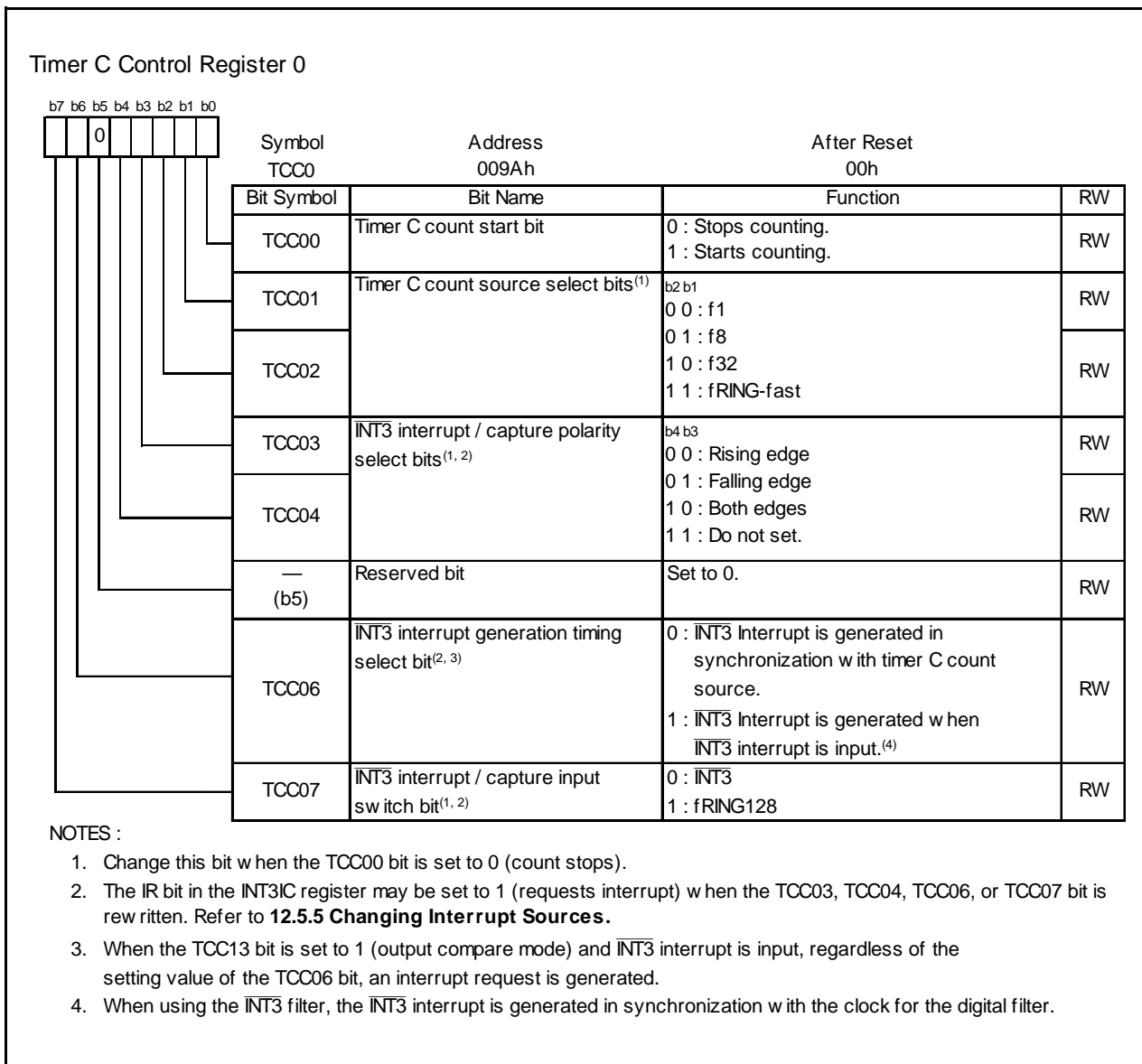


Figure 14.27 TCC0 Register

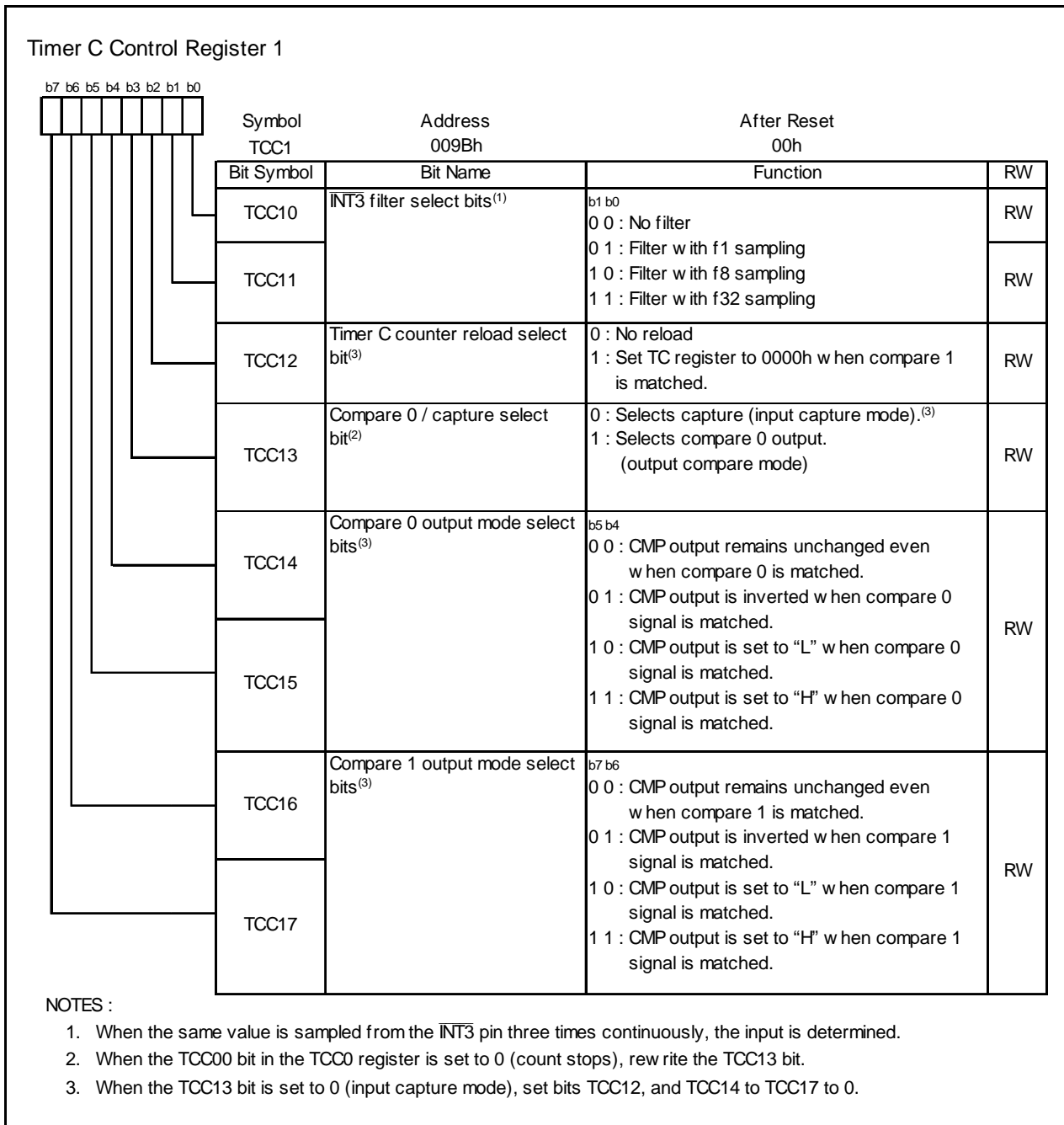


Figure 14.28 TCC1 Register

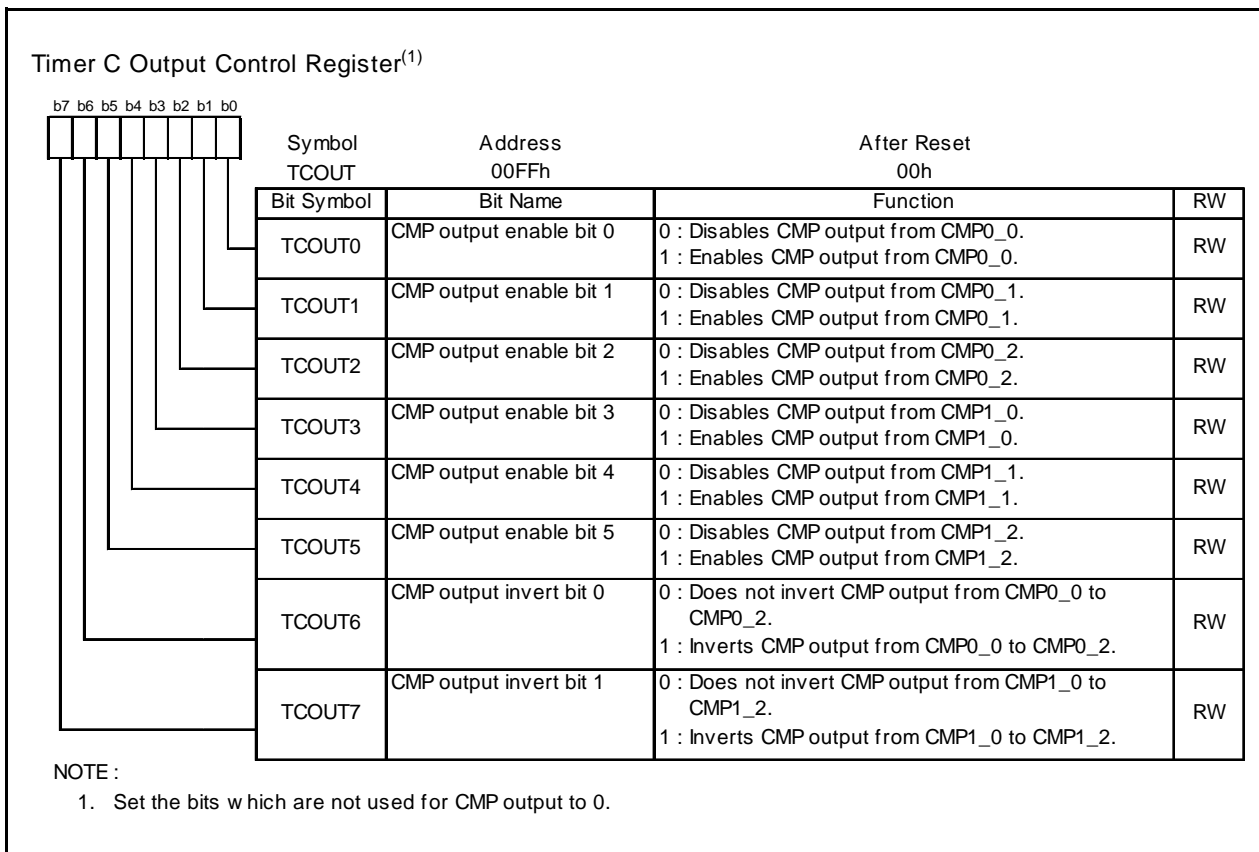


Figure 14.29 TCOUT Register

14.3.1 Input Capture Mode

In input capture mode, the edge of the TCIN pin input signal or the fRING128 clock is used as a trigger to latch the timer value and generate an interrupt request. The TCIN input contains a digital filter, and this prevents errors caused by noise or the like from occurring. Table 14.11 shows the Input Capture Mode Specifications. Figure 14.30 shows an Operating Example in Input Capture Mode.

Table 14.11 Input Capture Mode Specifications

Item	Specification
Count sources	f1, f8, f32, fRING-fast
Count operations	<ul style="list-style-type: none"> • Increment • Transfer the value in the TC register to the TM0 register at the active edge of the measured pulse. • The value in the TC register is set to 0000h when the count stops.
Count start condition	The TCC00 bit in the TCC0 register is set to 1 (count starts).
Count stop condition	The TCC00 bit in the TCC0 register is set to 0 (count stops).
Interrupt request generation timing	<ul style="list-style-type: none"> • When the active edge of the measured pulse is input [$\overline{\text{INT3}}$ interrupt].⁽¹⁾ • When timer C overflows [timer C interrupt].
$\overline{\text{INT3}}$ /TCIN pin function	Programmable I/O port or the measured pulse input ($\overline{\text{INT3}}$ interrupt input)
P1_0 to P1_2, P3_3 to P3_5 pin functions	Programmable I/O port
Counter value reset timing	When the TCC00 bit in the TCC0 register is set to 0 (count stops).
Read from timer ⁽²⁾	<ul style="list-style-type: none"> • The count value can be read out by reading the TC register. • The count value at the measured pulse active edge input can be read out by reading the TM0 register.
Write to timer	Write to the TC and TM0 registers is disabled.
Select functions	<ul style="list-style-type: none"> • $\overline{\text{INT3}}$/TCIN polarity select function Bits TCC03 to TCC04 can select the active edge of the measured pulse. • Digital filter function Bits TCC11 to TCC10 can select the digital filter sampling frequency. • Trigger select function The TCC07 bit can select the TCIN input or the fRING128.

NOTES:

1. The $\overline{\text{INT3}}$ interrupt includes a digital filter delay and one count source (max.) delay.
2. Read registers TC and TM0 in 16-bit unit.

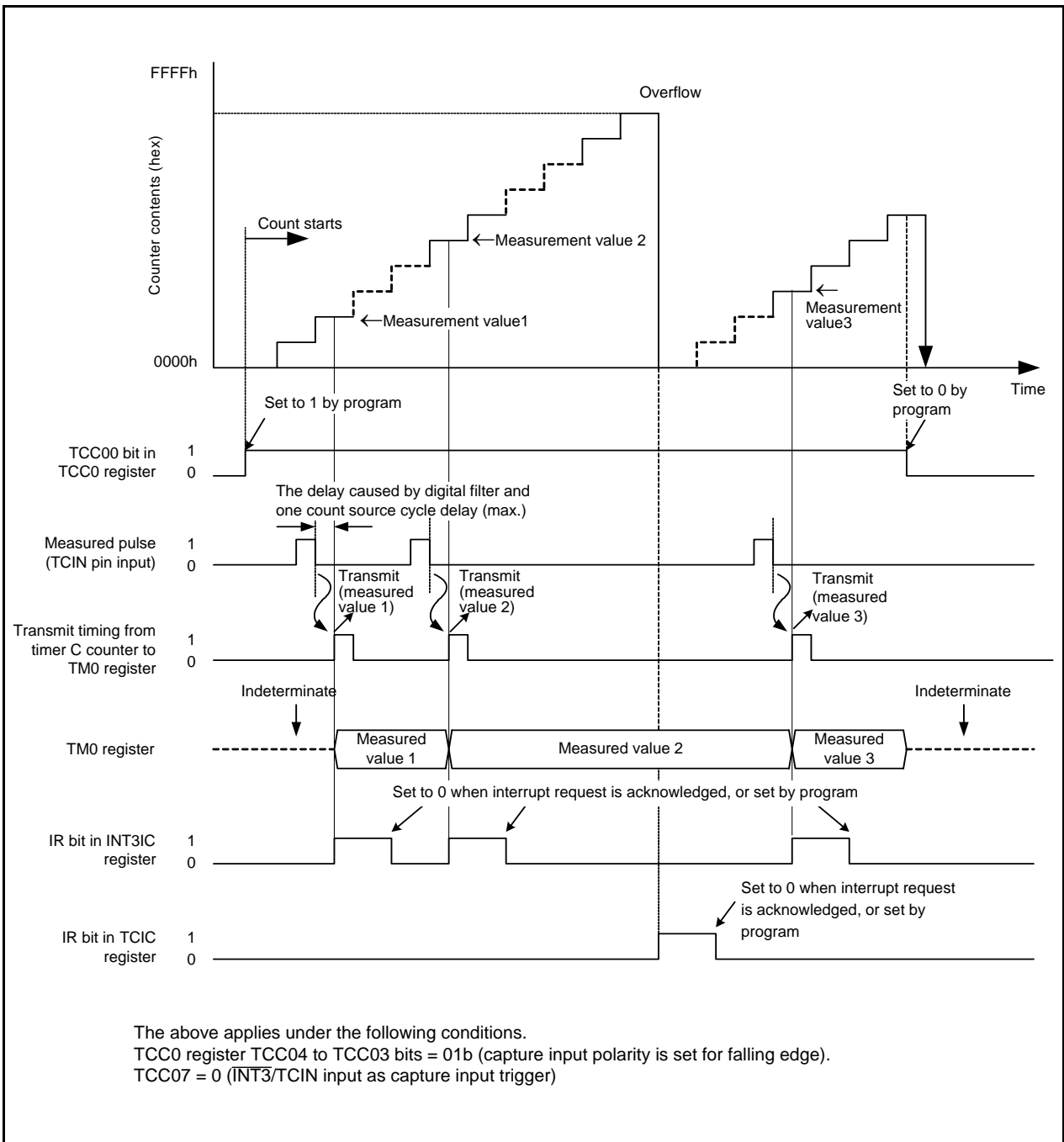


Figure 14.30 Operating Example in Input Capture Mode

14.3.2 Output Compare Mode

In output compare mode, an interrupt request is generated when the value of the TC register matches the value of the TM0 or TM1 register. Table 14.12 shows the Output Compare Mode Specifications. Figure 14.31 shows an Operating Example in Output Compare Mode.

Table 14.12 Output Compare Mode Specifications

Item	Specification
Count sources	f1, f8, f32, fRING-fast
Count operations	<ul style="list-style-type: none"> • Increment • The value in the TC register is set to 0000h when the count stops.
Count start condition	The TCC00 bit in the TCC0 register is set to 1 (count starts).
Count stop condition	The TCC00 bit in the TCC0 register is set to 0 (count stops).
Waveform output start condition	Bits TCOUT0 to TCOUT5 in the TCOUT register are set to 1 (enables CMP output).(2)
Waveform output stop condition	Bits TCOUT0 to TCOUT5 in the TCOUT register are set to 0 (disables CMP output).
Interrupt request generation timing	<ul style="list-style-type: none"> • When a match occurs in compare circuit 0 [compare 0 interrupt]. • When a match occurs in compare circuit 1 [compare 1 interrupt]. • When time C overflows [timer C interrupt].
INT3/TCIN pin function	Programmable I/O port or INT3 interrupt input
P1_0 to P1_2 pins and P3_3 to P3_5 pins functions	Programmable I/O port or CMP output(1)
Counter value reset timing	When the TCC00 bit in the TCC0 register is set to 0 (count stops).
Read from timer(2)	<ul style="list-style-type: none"> • The value in the compare register can be read out by reading registers TM0 and TM1. • The count value can be read out by reading the TC register.
Write to timer(2)	<ul style="list-style-type: none"> • Write to the TC register is disabled. • The values written to registers TM0 and TM1 are stored in the compare register in the following timings: <ul style="list-style-type: none"> - When registers TM0 and TM1 are written to, if the TCC00 bit is set to 0 (count stops). - When the counter overflows, if the TCC00 bit is set to 1 (during counting) and the TCC12 bit in the TCC1 register is set to 0 (free-run). - When the compare 1 matches a counter, if the TCC00 bit is set to 1 and the TCC12 bit is set to 1 (the TC register is set to 0000h at compare 1 match).
Select functions	<ul style="list-style-type: none"> • Timer C counter reload select function The TCC12 bit in the TCC1 register can select whether the counter value in the TC register is set to 0000h when the compare circuit 1 matches. • Bits TCC14 to TCC15 in the TCC1 register can be used to select the output level when compare circuit 0 matches. Bits TCC16 to TCC17 in the TCC1 register can be used to select the output level when compare circuit 1 matches. • Bits TCOUT6 to TCOUT7 in the TCOUT register can select whether the output is inverted or not.

NOTES:

1. When the corresponding port data is 1, the waveform is output depending on the setting of the registers TCC1 and TCOUT. When the corresponding port data is 0, the fixed level is output (refer to **Figure 14.25 Block Diagram of CMP Waveform Output Unit**).
2. Access registers TC, TM0, and TM1 in 16-bit units.

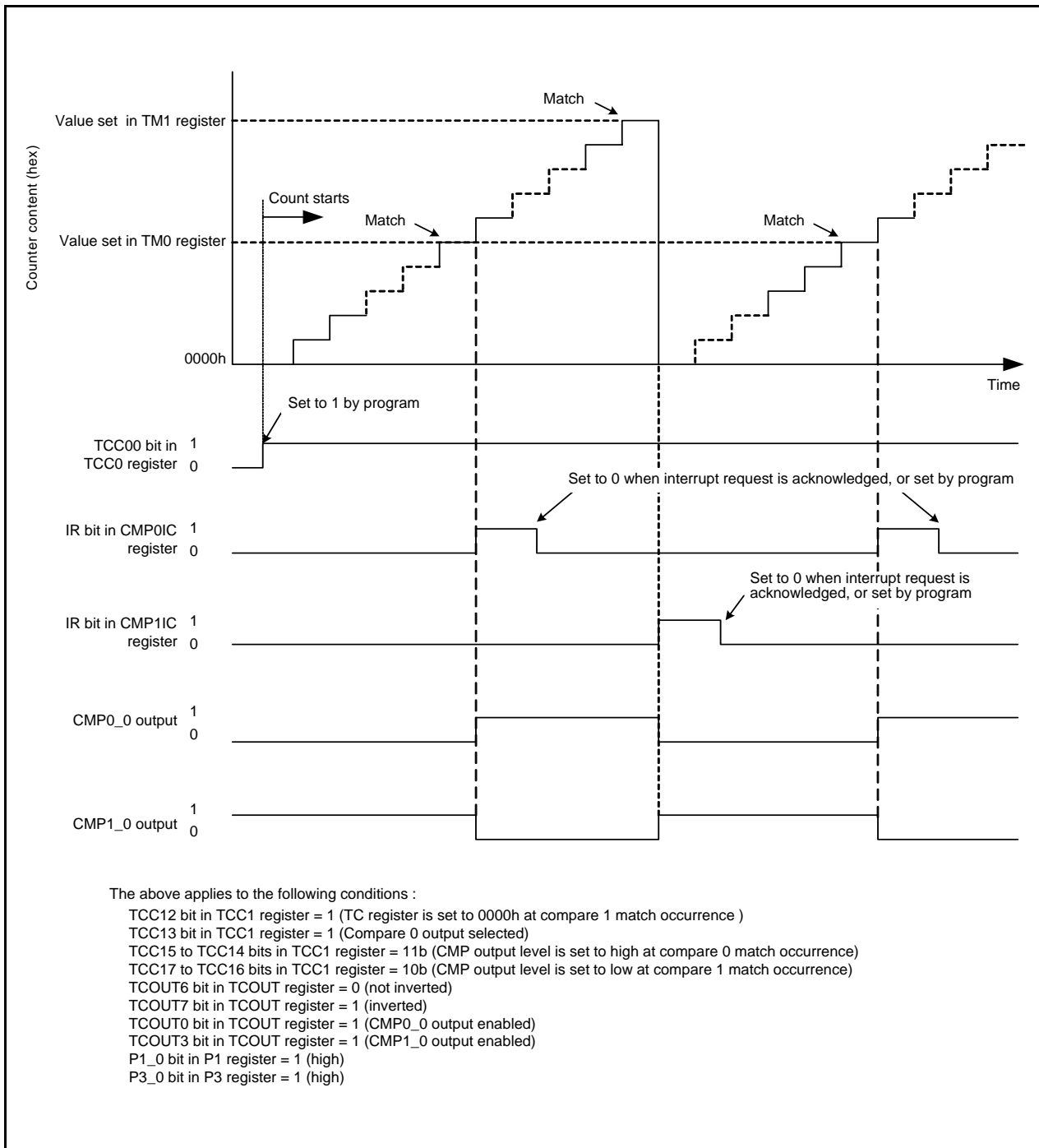


Figure 14.31 Operating Example in Output Compare Mode

14.3.3 Notes on Timer C

Access registers TC, TM0, and TM1 in 16-bit units.

The TC register can be read in 16-bit units. This prevents the timer value from being updated between when the low-order bytes and high-order bytes are being read.

Example of reading timer C:

```
MOV.W    0090H,R0    ; Read out timer C
```

15. Serial Interface

The serial interface consists of two channels (UART0 and UART1). Each UARTi (i = 0 or 1) has an exclusive timer to generate the transfer clock and operates independently.

Figure 15.1 shows a UARTi (i = 0 or 1) Block Diagram. Figure 15.2 shows a UARTi Transmit/Receive Unit.

UART0 has two modes: clock synchronous serial I/O mode and clock asynchronous serial I/O mode (UART mode).

UART1 has only clock asynchronous serial I/O mode (UART mode).

Figures 15.3 to 15.6 show the Registers Associated with UARTi.

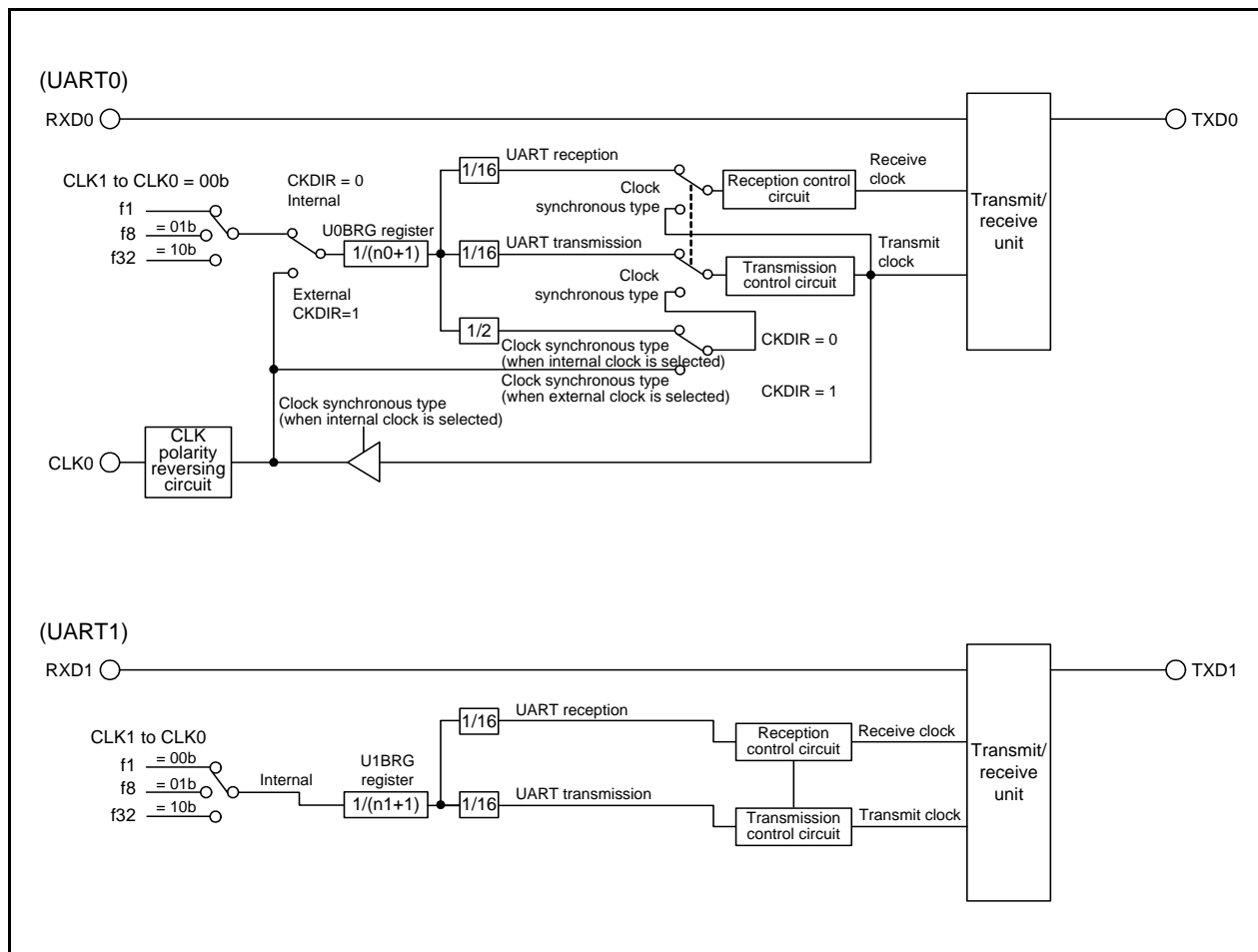


Figure 15.1 UARTi (i = 0 or 1) Block Diagram

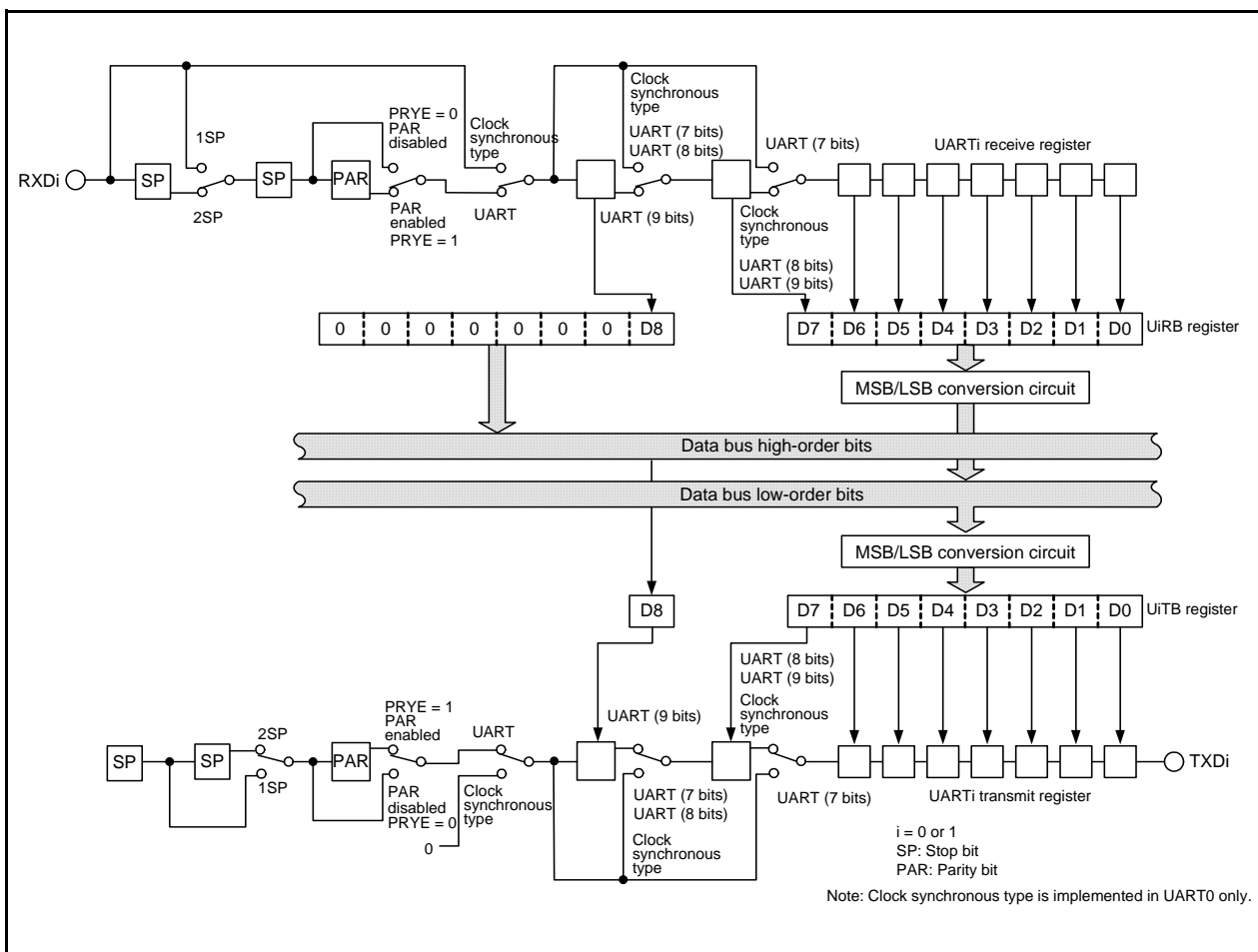


Figure 15.2 UARTi Transmit/Receive Unit

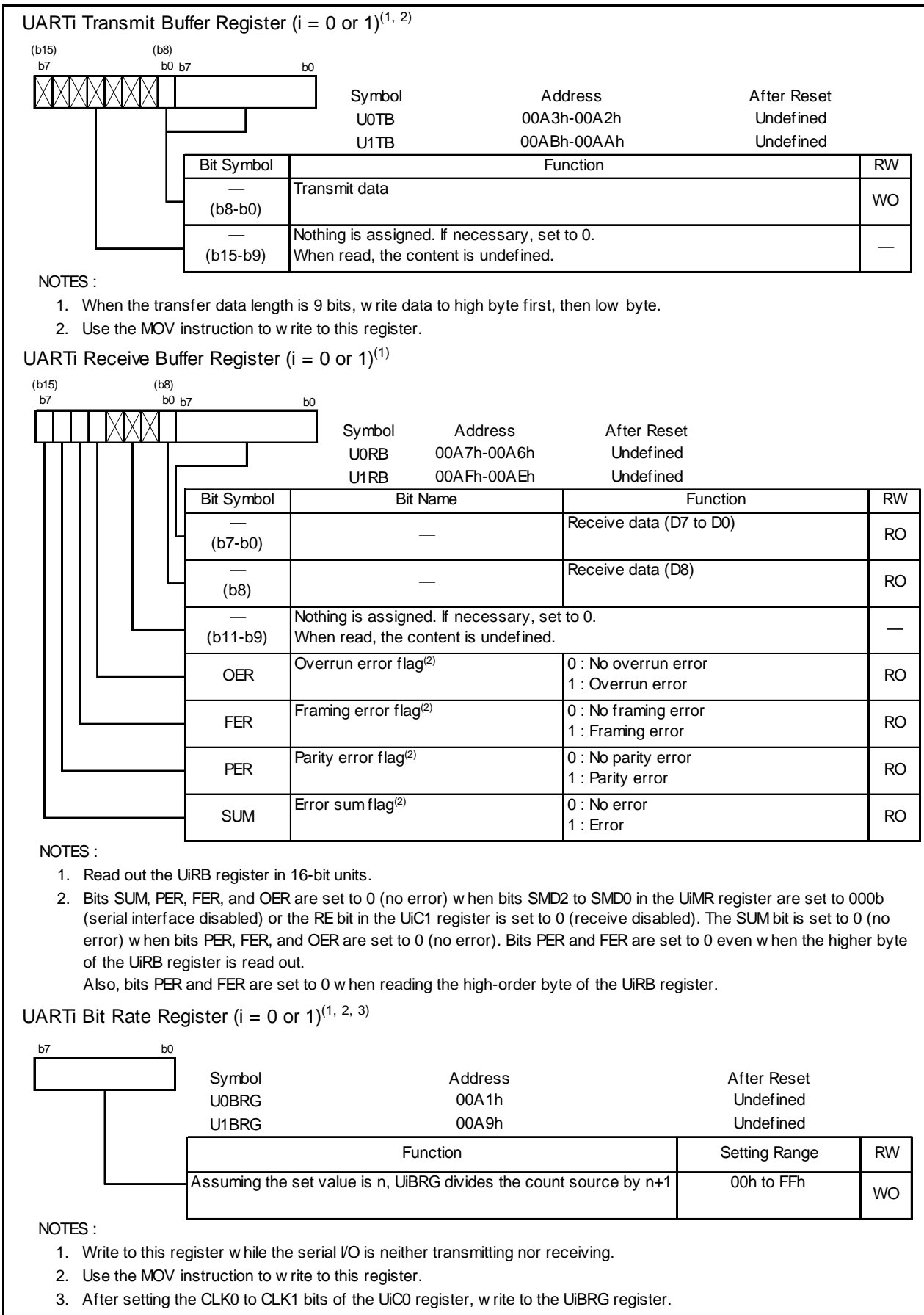


Figure 15.3 Registers U0TB to U1TB, U0RB to U1RB, and U0BRG to U1BRG

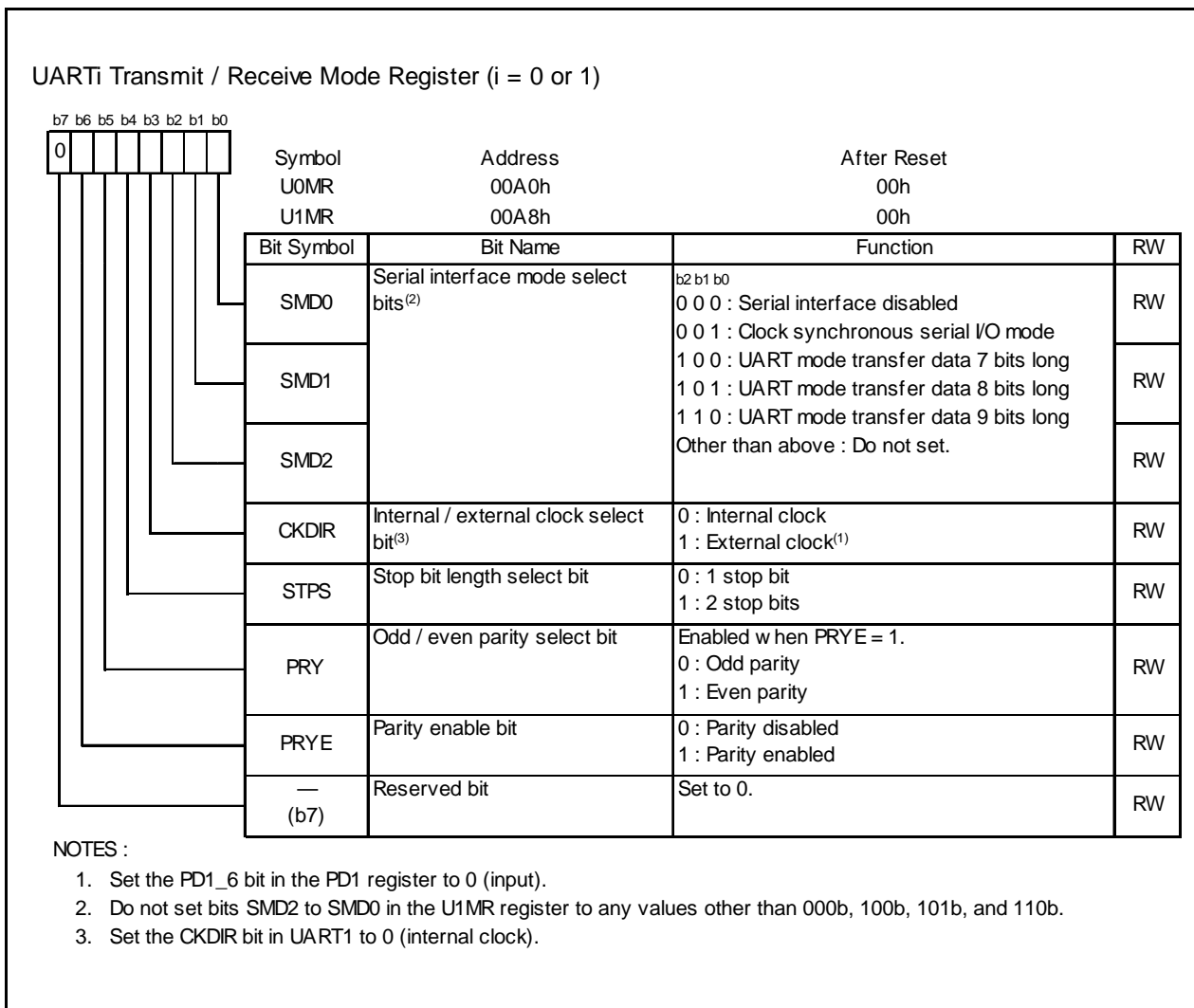


Figure 15.4 Registers U0MR to U1MR

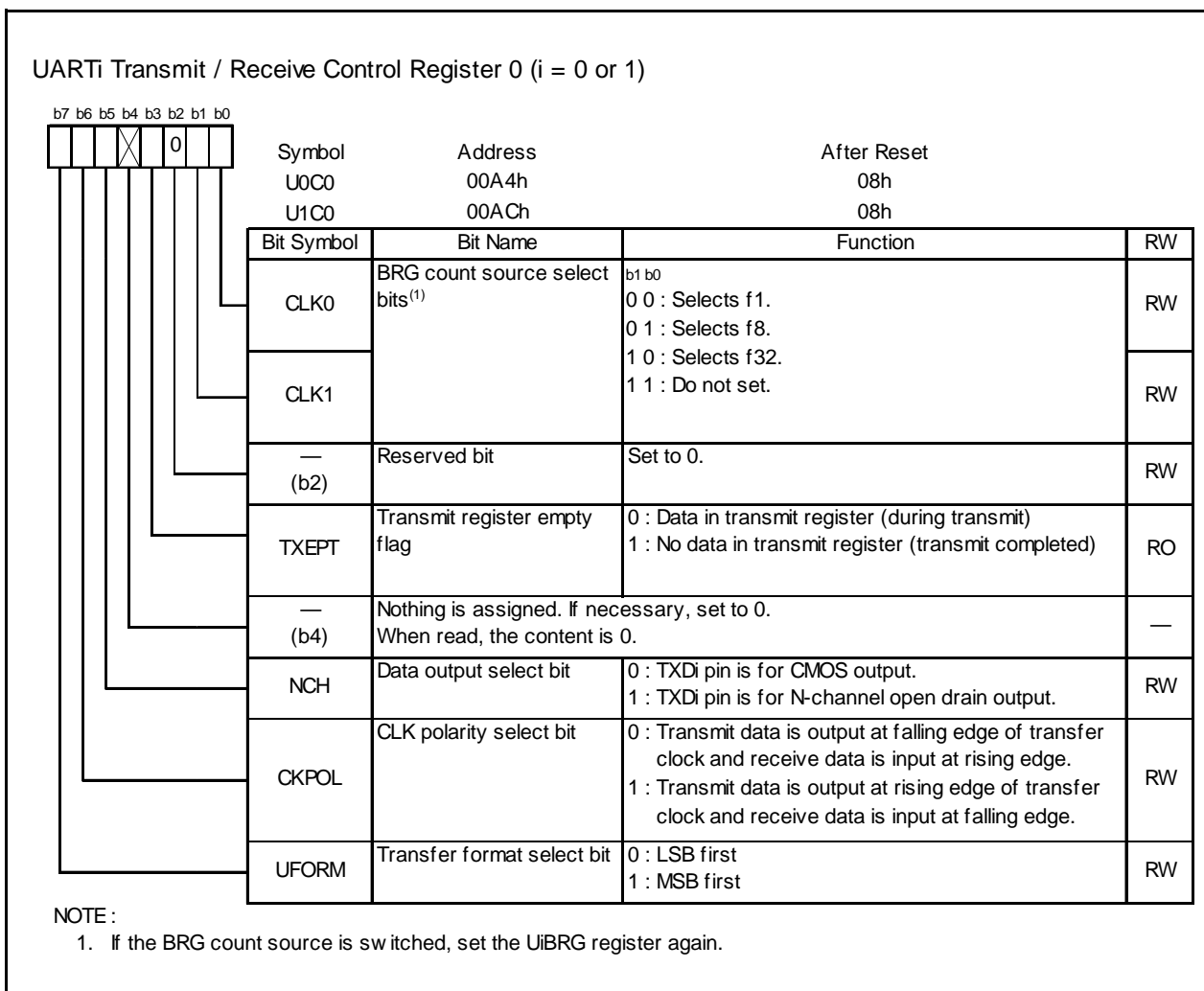


Figure 15.5 Registers U0C0 to U1C0

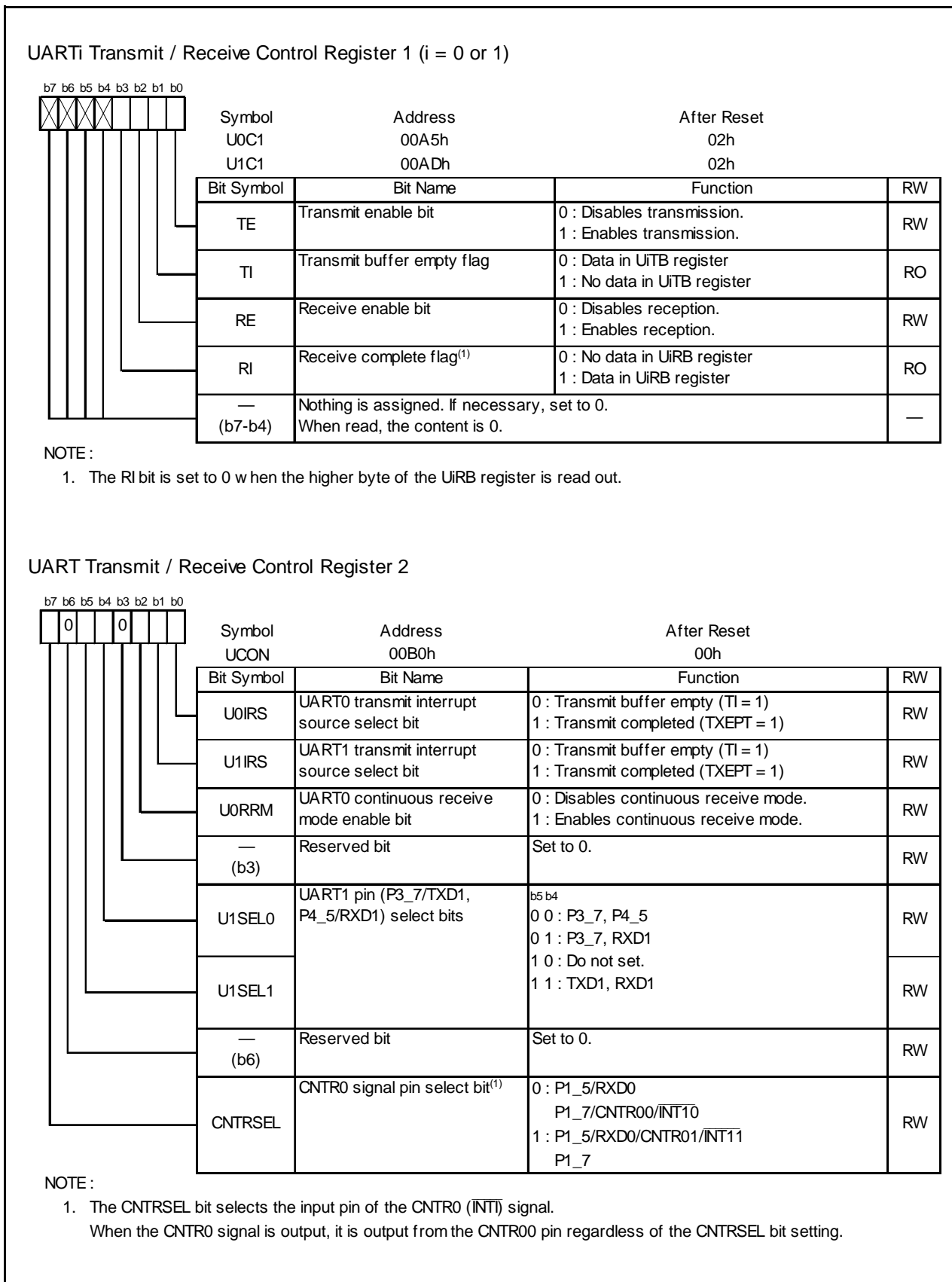


Figure 15.6 Registers U0C1 to U1C1, and UCON

15.1 Clock Synchronous Serial I/O Mode

In clock synchronous serial I/O mode, data is transmitted and received using a transfer clock. Table 15.1 lists the Clock Synchronous Serial I/O Mode Specifications. Table 15.2 lists the Registers Used and Settings in Clock Synchronous Serial I/O Mode⁽¹⁾.

Table 15.1 Clock Synchronous Serial I/O Mode Specifications

Item	Specification
Transfer data format	<ul style="list-style-type: none"> Transfer data length: 8 bits
Transfer clocks	<ul style="list-style-type: none"> CKDIR bit in U0MR register is set to 0 (internal clock): $f_i/(2(n+1))$. $f_i = f_1, f_8, f_{32}$ $n =$ value set in U0BRG register: 00h to FFh The CKDIR bit is set to 1 (external clock): input from CLK0 pin.
Transmit start conditions	<ul style="list-style-type: none"> Before transmission starts, the following requirements must be met.⁽¹⁾ <ul style="list-style-type: none"> The TE bit in the U0C1 register is set to 1 (transmission enabled). The TI bit in the U0C1 register is set to 0 (data in the U0TB register).
Receive start conditions	<ul style="list-style-type: none"> Before reception starts, the following requirements must be met.⁽¹⁾ <ul style="list-style-type: none"> The RE bit in the U0C1 register is set to 1 (reception enabled). The TE bit in the U0C1 register is set to 1 (transmission enabled). The TI bit in the U0C1 register is set to 0 (data in the U0TB register).
Interrupt request generation timing	<ul style="list-style-type: none"> When transmitting, one of the following conditions can be selected. <ul style="list-style-type: none"> The U0IRS bit is set to 0 (transmit buffer empty): When transferring data from the U0TB register to UART0 transmit register (when transmission starts). The U0IRS bit is set to 1 (transmission completes): When completing data transmission from UARTi transmit register. When receiving When data transfer from the UART0 receive register to the U0RB register (when reception completes).
Error detection	<ul style="list-style-type: none"> Overrun error⁽²⁾ This error occurs if the serial interface starts receiving the next data item before reading the U0RB register and receives the 7th bit of the next data.
Select functions	<ul style="list-style-type: none"> CLK polarity selection Transfer data input/output can be selected to occur synchronously with the rising or the falling edge of the transfer clock. LSB first, MSB first selection Whether transmitting or receiving data begins with bit 0 or begins with bit 7 can be selected. Continuous receive mode selection Receive is enabled immediately by reading the U0RB register.

NOTES:

- If an external clock is selected, ensure that the external clock is "H" when the CKPOL bit in the U0C0 register is set to 0 (transmit data output at falling edge and receive data input at rising edge of transfer clock), and that the external clock is "L" when the CKPOL bit is set to 1 (transmit data output at rising edge and receive data input at falling edge of transfer clock).
- If an overrun error occurs, the receive data (b0 to b8) of the U0RB register will be undefined. The IR bit in the S0RIC register remains unchanged.

Table 15.2 Registers Used and Settings in Clock Synchronous Serial I/O Mode(1)

Register	Bit	Function
U0TB	0 to 7	Set data transmission.
U0RB	0 to 7	Data reception can be read.
	OER	Overrun error flag
U0BRG	0 to 7	Set bit rate.
U0MR	SMD2 to SMD0	Set to 001b.
	CKDIR	Select the internal clock or external clock.
U0C0	CLK1 to CLK0	Select the count source in the U0BRG register.
	TXEPT	Transmit register empty flag
	NCH	Select TXD0 pin output mode.
	CKPOL	Select the transfer clock polarity.
	UFORM	Select the LSB first or MSB first.
U0C1	TE	Set this bit to 1 to enable transmission/reception.
	TI	Transmit buffer empty flag
	RE	Set this bit to 1 to enable reception.
	RI	Reception complete flag
UCON	U0IRS	Select the UART0 transmit interrupt source.
	U0RRM	Set this bit to 1 to use continuous receive mode.
	CNTRSEL	Set this bit to 1 to select P1_5/RXD0/CNTR01/INT11.

NOTE:

1. Set bits which are not in this table to 0 when writing to the above registers in clock synchronous serial I/O mode.

Table 15.3 lists the I/O Pin Functions in Clock Synchronous Serial I/O Mode. The TXD0 pin outputs “H” level between the operating mode selection of UART0 and transfer start. (If the NCH bit is set to 1 (N-channel open-drain output), this pin is in a high-impedance state.)

Table 15.3 I/O Pin Functions in Clock Synchronous Serial I/O Mode

Pin Name	Function	Selection Method
TXD0 (P1_4)	Output serial data	(Outputs dummy data when performing reception only.)
RXD0 (P1_5)	Input serial data	PD1_5 bit in PD1 register = 0 (P1_5 can be used as an input port when performing transmission only.)
CLK0 (P1_6)	Output transfer clock	CKDIR bit in U0MR register = 0
	Input transfer clock	CKDIR bit in U0MR register = 1 PD1_6 bit in PD1 register = 0

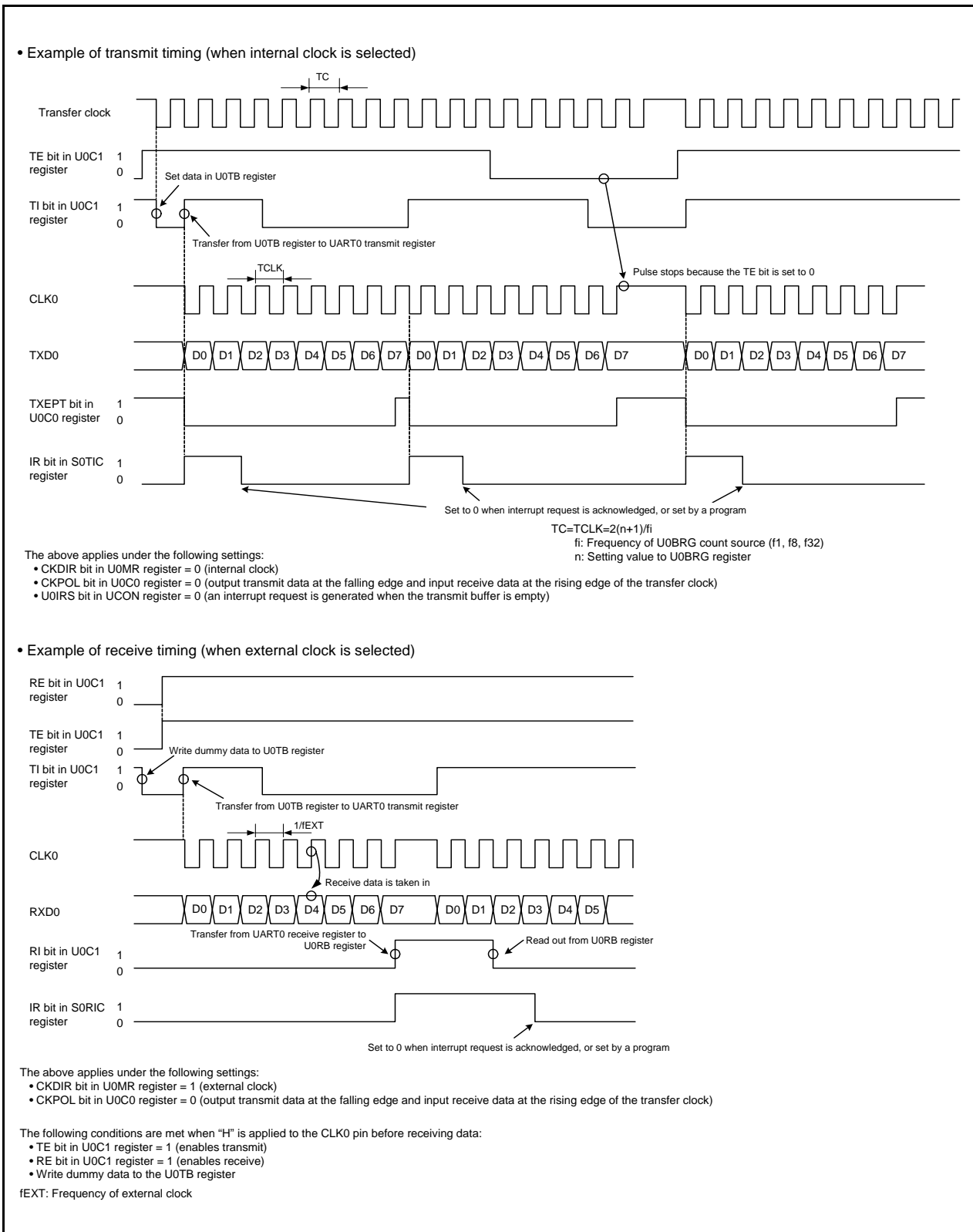


Figure 15.7 Transmit and Receive Timing Example in Clock Synchronous Serial I/O Mode

15.1.1 Polarity Select Function

Figure 15.8 shows the Transfer Clock Polarity. Use the CKPOL bit in the U0C0 register to select the transfer clock polarity.

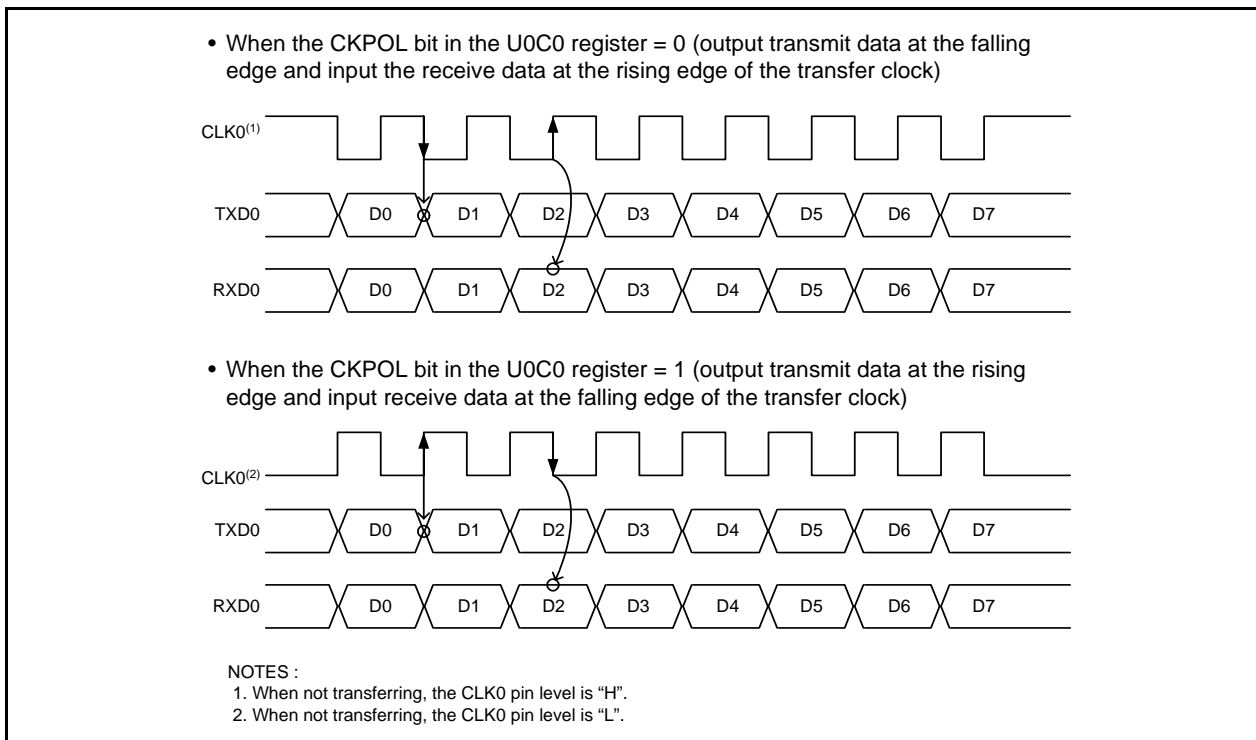


Figure 15.8 Transfer Clock Polarity

15.1.2 LSB First/MSB First Select Function

Figure 15.9 shows the Transfer Format. Use the UFORM bit in the U0C0 register to select the transfer format.

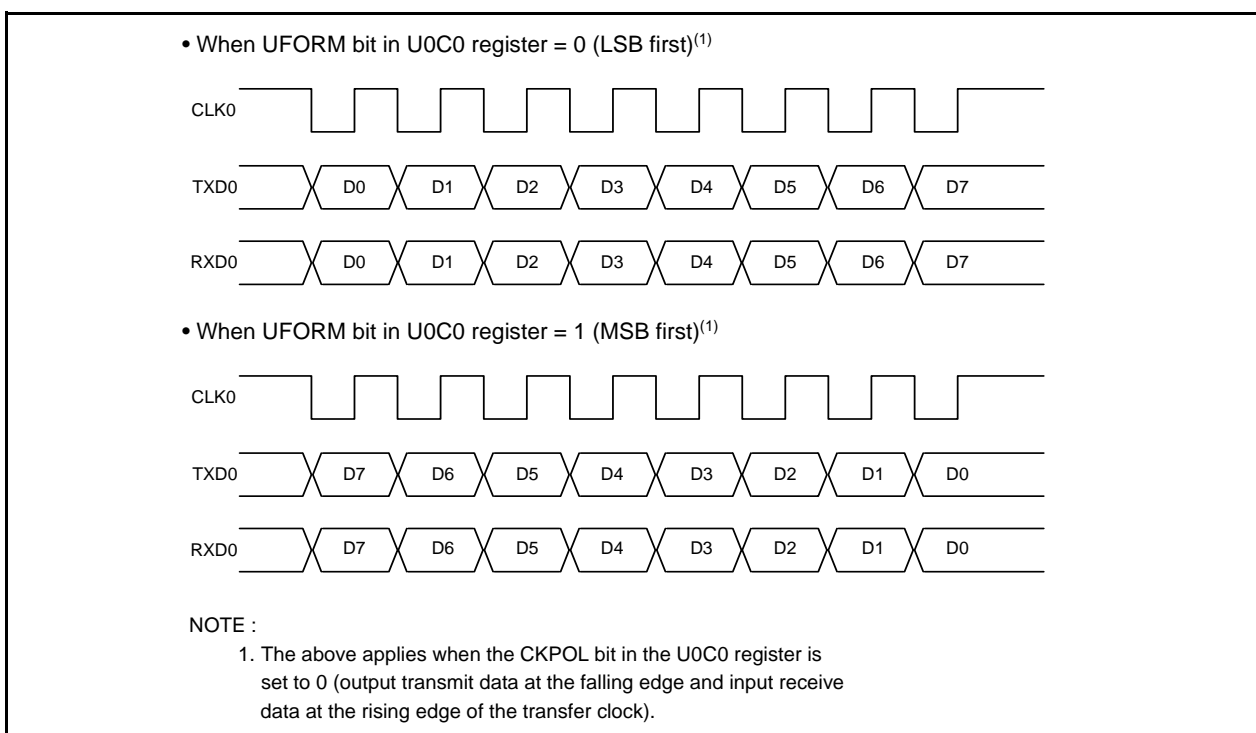


Figure 15.9 Transfer Format

15.1.3 Continuous Receive Mode

Continuous receive mode is selected by setting the U0RRM bit in the UCON register to 1 (enables continuous receive mode). In this mode, reading the UORB register sets the TI bit in the U0C1 register to 0 (data in the U0TB register). When the U0RRM bit is set to 1, do not write dummy data to the U0TB register by a program.

15.2 Clock Asynchronous Serial I/O (UART) Mode

The UART mode allows data transmission and reception after setting the desired bit rate and transfer data format. Table 15.4 lists the UART Mode Specifications. Table 15.5 lists the Registers Used and Settings for UART Mode.

Table 15.4 UART Mode Specifications

Item	Specification
Transfer data format	<ul style="list-style-type: none"> • Character bit (transfer data): Selectable among 7, 8 or 9 bits • Start bit: 1 bit • Parity bit: Selectable among odd, even, or none • Stop bit: Selectable among 1 or 2 bits
Transfer clocks	<ul style="list-style-type: none"> • CKDIR bit in UiMR register is set to 0 (internal clock): $f_j/(16(n+1))$ $f_j = f_1, f_8, f_{32}$ $n =$ value set in UiBRG register: 00h to FFh • CKDIR bit is set to 1 (external clock): $f_{EXT}/(16(n+1))$ f_{EXT}: input from CLKi pin $n=$setting value in UiBRG register: 00h to FFh
Transmit start conditions	<ul style="list-style-type: none"> • Before transmission starts, the following are required. <ul style="list-style-type: none"> - TE bit in UiC1 register is set to 1 (transmission enabled). - TI bit in UiC1 register is set to 0 (data in UiTB register).
Receive start conditions	<ul style="list-style-type: none"> • Before reception starts, the following are required. <ul style="list-style-type: none"> - RE bit in UiC1 register is set to 1 (reception enabled). - Start bit detected
Interrupt request generation timing	<ul style="list-style-type: none"> • When transmitting, one of the following conditions can be selected. <ul style="list-style-type: none"> - UiIRS bit is set to 0 (transmit buffer empty): When transferring data from the UiTB register to UARTi transmit register (when transmit starts). - UiIRS bit is set to 1 (transfer ends): When serial interface completes transmitting data from the UARTi transmit register. • When receiving When transferring data from the UARTi receive register to UiRB register (when receive ends).
Error detection	<ul style="list-style-type: none"> • Overrun error⁽¹⁾ This error occurs if the serial interface starts receiving the next data item before reading the UiRB register and receives the bit preceding the final stop bit of the next data item. • Framing error This error occurs when the set number of stop bits is not detected. • Parity error This error occurs when parity is enabled, and the number of 1's in parity and character bits do not match the number of 1's set. • Error sum flag This flag is set is set to 1 when an overrun, framing, or parity error is generated.

i = 0 to 1

NOTE:

1. If an overrun error occurs, the receive data (b0 to b8) of the UiRB register will be undefined. The IR bit in the SiRIC register remains unchanged.

Table 15.5 Registers Used and Settings for UART Mode

Register	Bit	Function
UiTB	0 to 8	Set transmit data. ⁽¹⁾
UiRB	0 to 8	Receive data can be read. ⁽¹⁾
	OER,FER,PER,SUM	Error flag
UiBRG	0 to 7	Set a bit rate.
UiMR	SMD2 to SMD0	Set to 100b when transfer data is 7 bits long. Set to 101b when transfer data is 8 bits long. Set to 110b when transfer data is 9 bits long.
	CKDIR	Select the internal clock or external clock. ⁽²⁾
	STPS	Select the stop bit.
	PRY, PRYE	Select whether parity is included and whether odd or even.
UiC0	CLK0, CLK1	Select the count source for the UiBRG register.
	TXEPT	Transmit register empty flag
	NCH	Select TXDi pin output mode.
	CKPOL	Set to 0.
	UFORM	LSB first or MSB first can be selected when transfer data is 8 bits long. Set to 0 when transfer data is 7 or 9 bits long.
UiC1	TE	Set to 1 to enable transmit.
	TI	Transmit buffer empty flag
	RE	Set to 1 to enable receive.
	RI	Receive complete flag
UCON	U0IRS, U1IRS	Select the source of UART0 transmit interrupt.
	U0RRM	Set to 0.
	CNTRSEL	Set to 1 to select P1_5/RXD0/CNTR01/INT11.

NOTES:

1. The bits used for transmit/receive data are as follows: Bits 0 to 6 when transfer data is 7 bits long; bits 0 to 7 when transfer data is 8 bits long; bits 0 to 8 when transfer data is 9 bits long.
2. An external clock can be selected in UART0 only.

Table 15.6 lists the I/O Pin Functions in Clock Asynchronous Serial I/O Mode. The TXDi pin outputs “H” level between the operating mode selection of UARTi (i = 0 or 1) and transfer start. (If the NCH bit is set to 1 (N-channel open-drain output), this pin is in a high-impedance state.)

Table 15.6 I/O Pin Functions in Clock Asynchronous Serial I/O Mode

Pin name	Function	Selection Method
TXD0(P1_4)	Output serial data	(Cannot be used as a port when performing reception only.)
RXD0(P1_5)	Input serial data	PD1_5 bit in PD1 register = 0 (P1_5 can be used as an input port when performing transmission only.)
CLK0(P1_6)	Programmable I/O Port	CKDIR bit in U0MR register = 0
	Input transfer clock	CKDIR bit in U0MR register = 1 PD1_6 bit in PD1 register = 0
TXD1(P3_7)	Output serial data	Bits U1SEL1 to U1SEL0 in UCON register = 11b (P3_7 can be used as a port when bits U1SEL1 to U1SEL0 = 01b and performing reception only.)
RXD1(P4_5)	Input serial data	PD4_5 bit in PD4 register = 0 Bits U1SEL1 to U1SEL0 in UCON register = 01b or 11b (Cannot be used as a port when performing transmission only.)

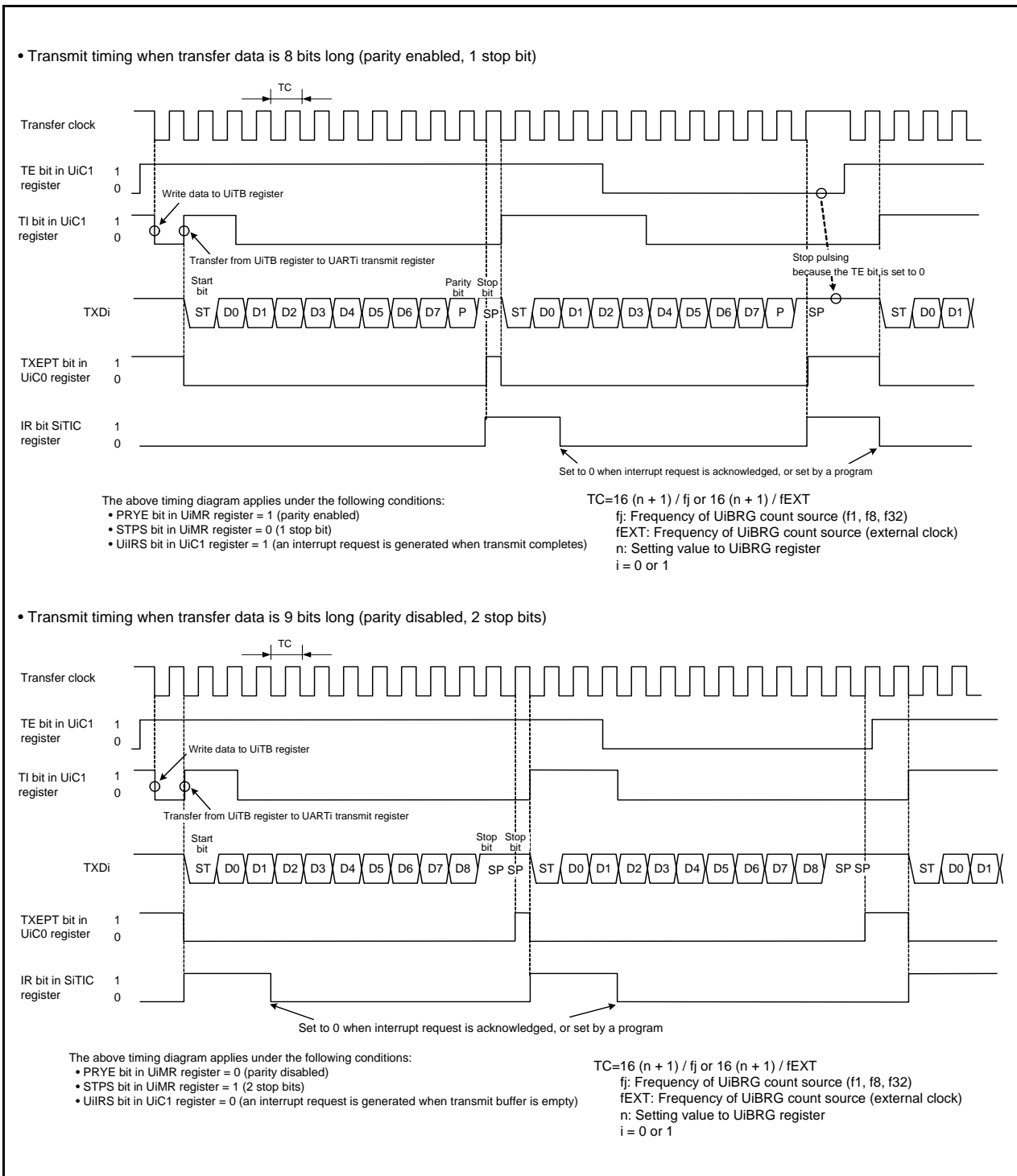


Figure 15.10 Transmit Timing in UART Mode

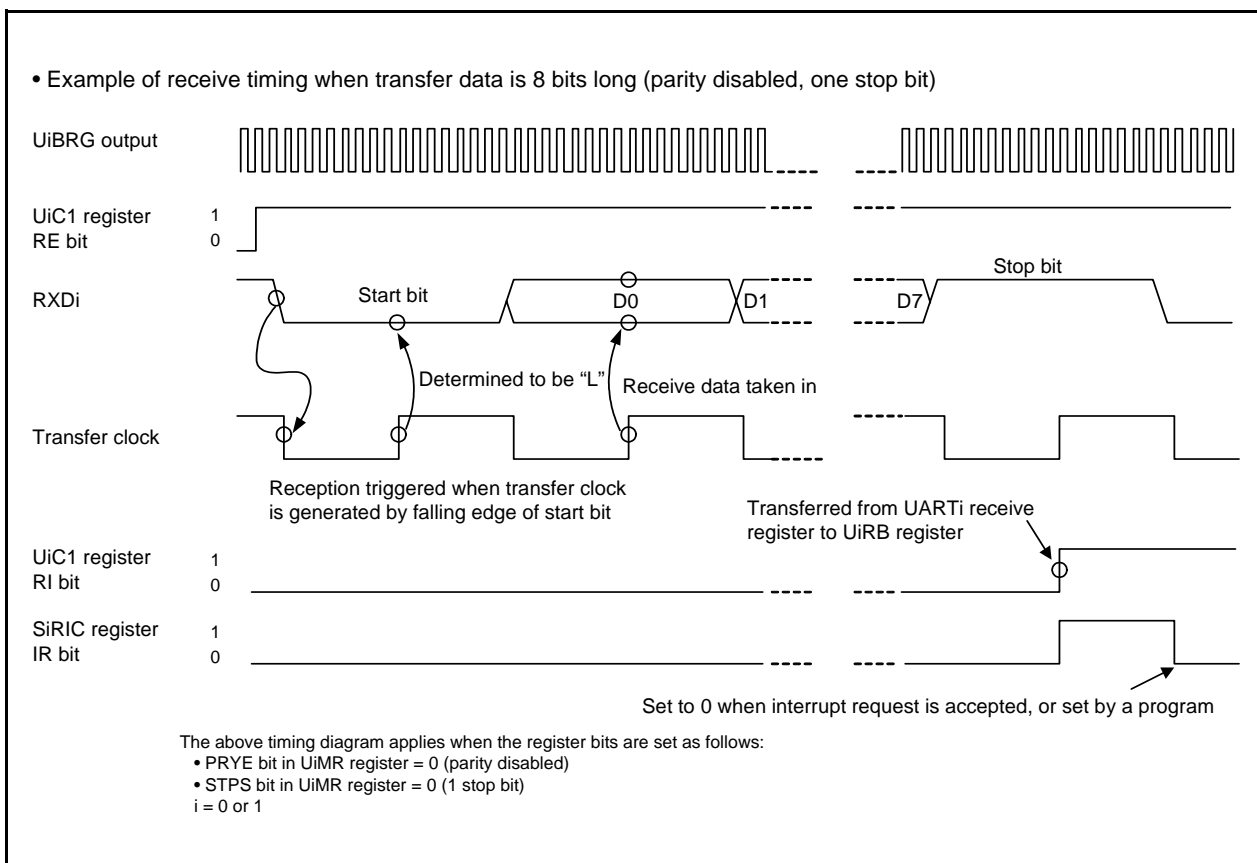


Figure 15.11 Receive Timing in UART Mode

15.2.1 CNTR0 Pin Select Function

The CNTRSEL bit in the UCON register selects whether P1_7 is used as the CNTR00/ $\overline{\text{INT10}}$ input pin or P1_5 is used as the CNTR01/ $\overline{\text{INT11}}$ input pin.

When the CNTRSEL bit is set to 0, P1_7 is used as the CNTR00/ $\overline{\text{INT10}}$ pin and when the CNTRSEL bit is set to 1, P1_5 is used as the CNTR01/ $\overline{\text{INT11}}$ pin.

15.2.2 Bit Rate

In UART mode, the bit rate is the frequency divided by the UiBRG (i = 0 or 1) register.

<p>UART Mode</p> <ul style="list-style-type: none"> • Internal clock selected $\text{UiBRG register setting value} = \frac{f_j}{\text{Bit Rate} \times 16} - 1$ <p>Fj: Count source frequency of the UiBRG register (f1, f8, or f32)</p>	
<ul style="list-style-type: none"> • External clock selected $\text{UiBRG register setting value} = \frac{f_{\text{EXT}}}{\text{Bit Rate} \times 16} - 1$ <p>fEXT : Count source frequency of the UiBRG register (external clock)</p>	
<p>i = 0 or 1</p>	

Figure 15.12 Calculation Formula of UiBRG (i = 0 or 1) Register Setting Value

Table 15.7 Bit Rate Setting Example in UART Mode (Internal Clock Selected)

Bit Rate (bps)	BRG Count Source	System Clock = 20 MHz			System Clock = 8 MHz		
		UiBRG Setting Value	Actual Time (bps)	Error (%)	UiBRG Setting Value	Actual Time (bps)	Error (%)
1200	f8	129(81h)	1201.92	0.16	51(33h)	1201.92	0.16
2400	f8	64(40h)	2403.85	0.16	25(19h)	2403.85	0.16
4800	f8	32(20h)	4734.85	-1.36	12(0Ch)	4807.69	0.16
9600	f1	129(81h)	9615.38	0.16	51(33h)	9615.38	0.16
14400	f1	86(56h)	14367.82	-0.22	34(22h)	14285.71	-0.79
19200	f1	64(40h)	19230.77	0.16	25(19h)	19230.77	0.16
28800	f1	42(2Ah)	29069.77	0.94	16(10h)	29411.76	2.12
31250	f1	39(27h)	31250.00	0.00	15(0Fh)	31250.00	0.00
38400	f1	32(20h)	37878.79	-1.36	12(0Ch)	38461.54	0.16
51200	f1	23(17h)	52083.33	1.73	9(09h)	50000.00	-2.34

i = 0 or 1

15.3 Notes on Serial Interface

- When reading data from the UiRB register either in the clock asynchronous serial I/O mode or in the clock synchronous serial I/O mode. Ensure the data is read in 16-bit units. When the high-order byte of the UiRB register is read, bits PER and FER in the UiRB register and the RI bit in the UiC1 register are set to 0. To check receive errors, read the UiRB register and then use the read data.

Example (when reading receive buffer register):

```
MOV.W    00A6H,R0    ; Read the UORB register
```

- When writing data to the UiTB register in the clock asynchronous serial I/O mode with 9-bit transfer data length, write data to the high-order byte first then the low-order byte, in 8-bit units.

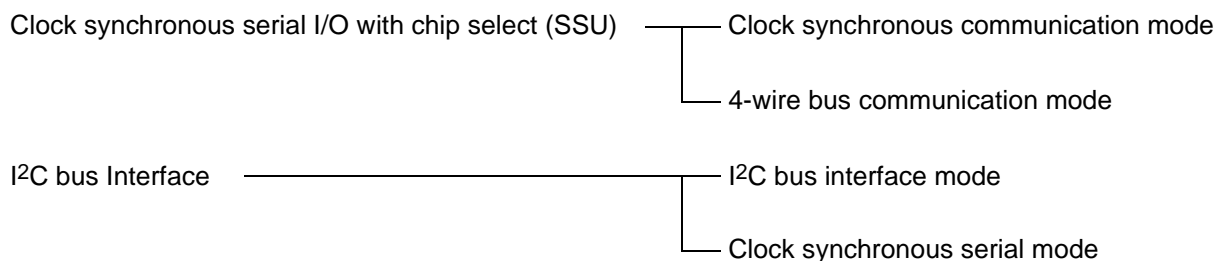
Example (when reading transmit buffer register):

```
MOV.B    #XXH,00A3H  ; Write the high-order byte of U0TB register  
MOV.B    #XXH,00A2H  ; Write the low-order byte of U0TB register
```


16. Clock Synchronous Serial Interface

The clock synchronous serial interface is configured as follows.

Clock synchronous serial interface



The clock synchronous serial interface uses the registers at addresses 00B8h to 00BFh. Registers, bits, symbols, and functions vary even for the same addresses depending on the mode. Refer to the register diagrams of each function for details.

Also, the differences between clock synchronous communication mode and clock synchronous serial mode are the options of the transfer clock, clock output format, and data output format.

16.1 Mode Selection

The clock synchronous serial interface has four modes.

Table 16.1 lists the Mode Selections. Refer to **16.2 Clock Synchronous Serial I/O with Chip Select (SSU)** and the sections that follow for details of each mode.

Table 16.1 Mode Selection

IICSEL Bit in PMR Register	Bit 7 in 00B8h (ICE Bit in ICCR1 Register)	Bit 0 in 00BDh (SSUMS Bit in SSMR2 Register, FS Bit in SAR Register)	Function	Mode
0	0	0	Clock synchronous serial I/O with chip select	Clock synchronous communication mode
0	0	1		4-wire bus communication mode
1	1	0	I²C bus interface	I²C bus interface mode
1	1	1		Clock synchronous serial mode

16.2 Clock Synchronous Serial I/O with Chip Select (SSU)

Clock synchronous serial I/O with chip select supports clock synchronous serial data communication.

Table 16.2 shows a Clock Synchronous Serial I/O with Chip Select Specifications and Figure 16.1 shows a Block Diagram of Clock Synchronous Serial I/O with Chip Select. Figures 16.2 to 16.9 show Clock Synchronous Serial I/O with Chip Select Associated Registers.

Table 16.2 Clock Synchronous Serial I/O with Chip Select Specifications

Item	Specification
Transfer data format	<ul style="list-style-type: none"> Transfer data length: 8 bits Continuous transmission and reception of serial data are supported since both transmitter and receiver have buffer structures.
Operating mode	<ul style="list-style-type: none"> Clock synchronous communication mode 4-wire bus communication mode (including bidirectional communication)
Master / slave device	Selectable
I/O pins	SSCK (I/O): Clock I/O pin SSI (I/O): Data I/O pin SSO (I/O): Data I/O pin $\overline{\text{SCS}}$ (I/O): Chip-select I/O pin
Transfer clock	<ul style="list-style-type: none"> When the MSS bit in the SSCRH register is set to 0 (operates as slave device), external clock is selected (input from SSCK pin). When the MSS bit in the SSCRH register is set to 1 (operates as master device), internal clock (selectable among f1/256, f1/128, f1/64, f1/32, f1/16, f1/8 and f1/4, output from SSCK pin) is selected. Clock polarity and phase of SSCK can be selected.
Receive error detection	<ul style="list-style-type: none"> Overrun error Overrun error occurs during reception and completes in error. While the RDRF bit in the SSSR register is set to 1 (data in the SSRDR register) and when the next serial data receive is completed, the ORER bit is set to 1.
Multimaster error detection	<ul style="list-style-type: none"> Conflict error When the SSUMS bit in the SSMR2 register is set to 1 (4-wire bus communication mode) and the MSS bit in the SSCRH register is set to 1 (operates as master device) and when starting a serial communication, the CE bit in the SSSR register is set to 1 if "L" applies to the $\overline{\text{SCS}}$ pin input. When the SSUMS bit in the SSMR2 register is set to 1 (4-wire bus communication mode), the MSS bit in the SSCRH register is set to 0 (operates as slave device) and the $\overline{\text{SCS}}$ pin input changes state from "L" to "H", the CE bit in the SSSR register is set to 1.
Interrupt requests	5 interrupt requests (transmit-end, transmit-data-empty, receive-data-full, overrun error, and conflict error). ⁽¹⁾
Select functions	<ul style="list-style-type: none"> Data transfer direction Selects MSB-first or LSB-first. SSCK clock polarity Selects "L" or "H" level when clock stops. SSCK clock phase Selects edge of data change and data download.

NOTE:

1. Clock synchronous serial I/O with chip select has only one interrupt vector table.

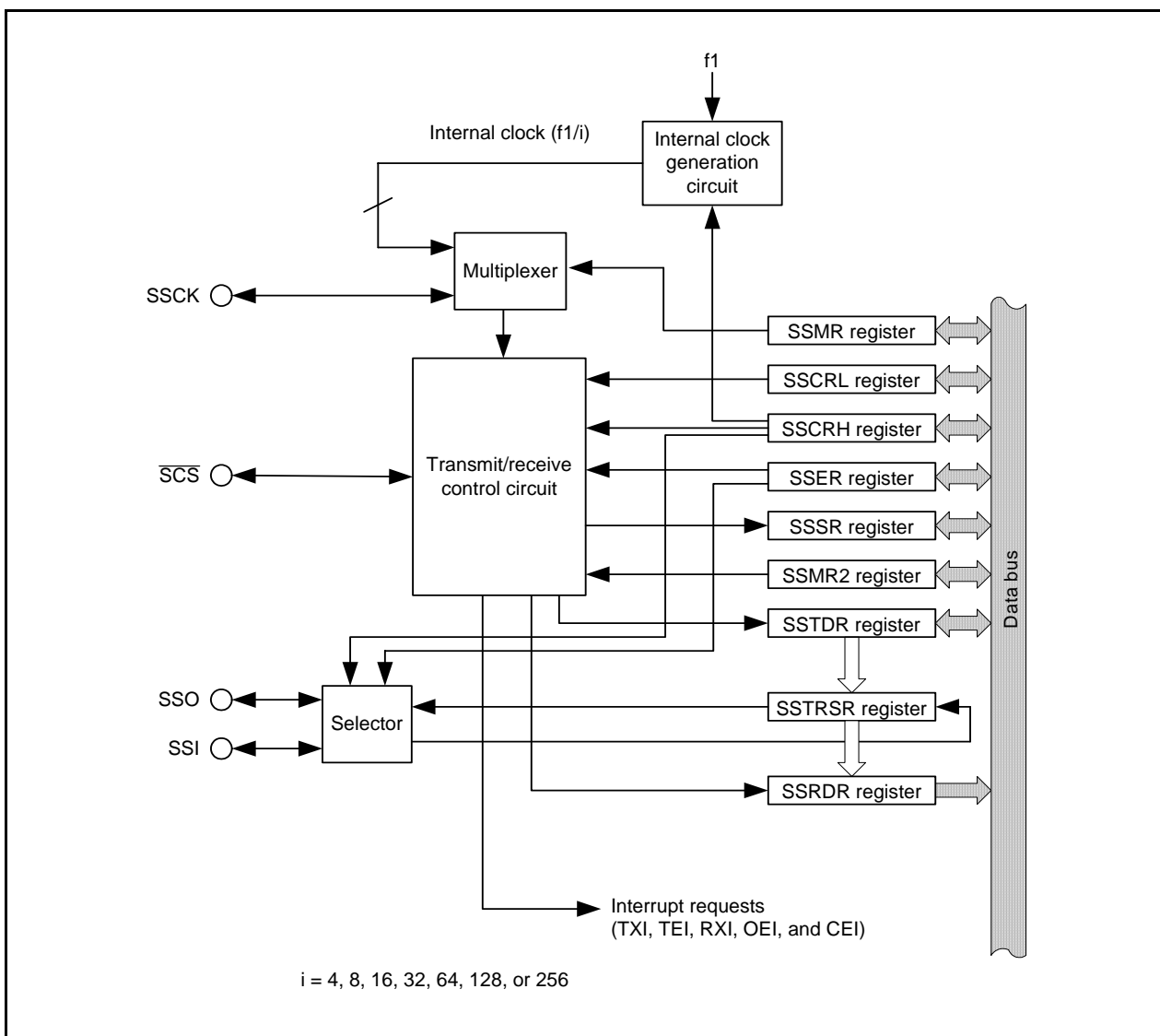


Figure 16.1 Block Diagram of Clock Synchronous Serial I/O with Chip Select

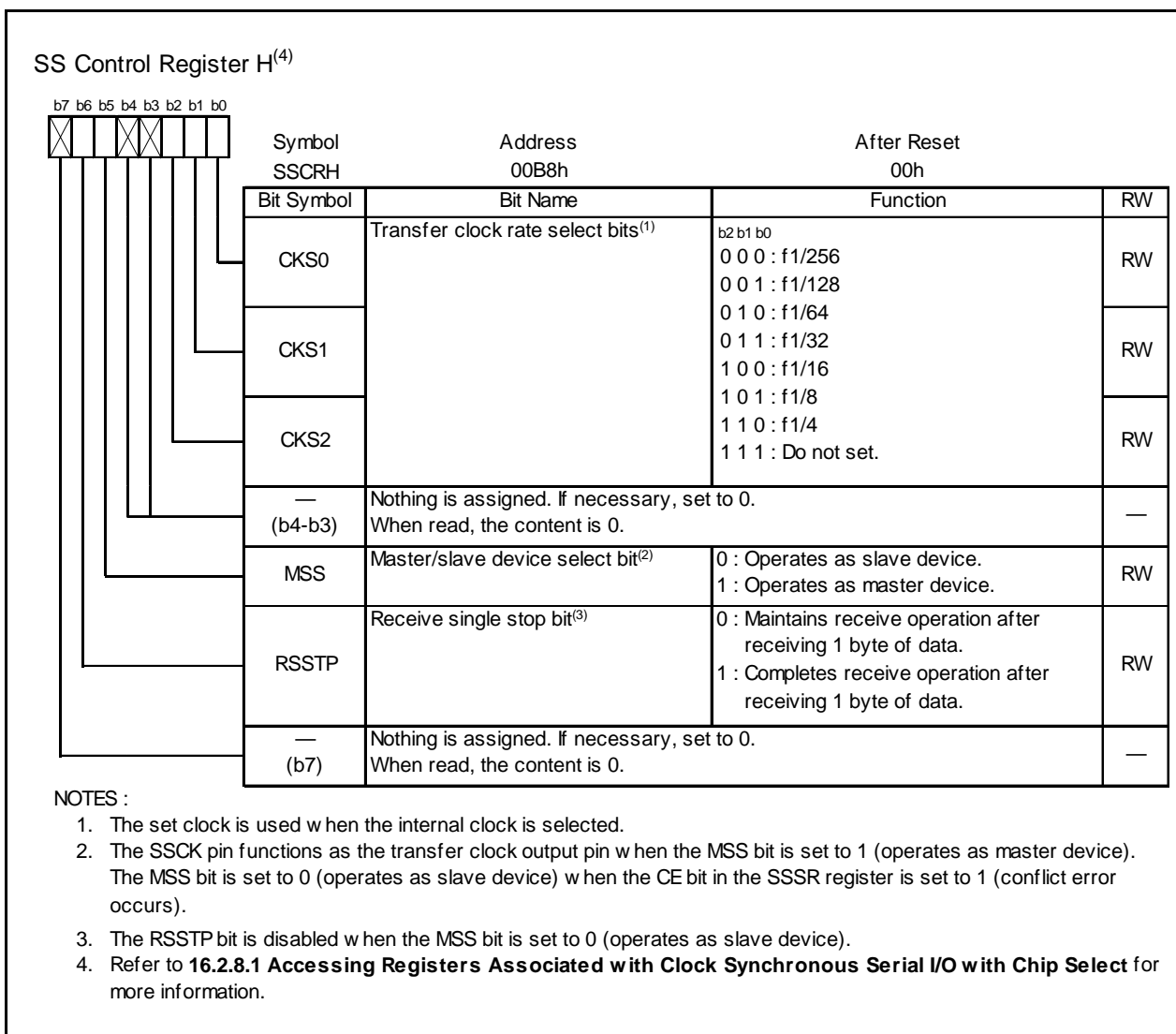


Figure 16.2 SSCRH Register

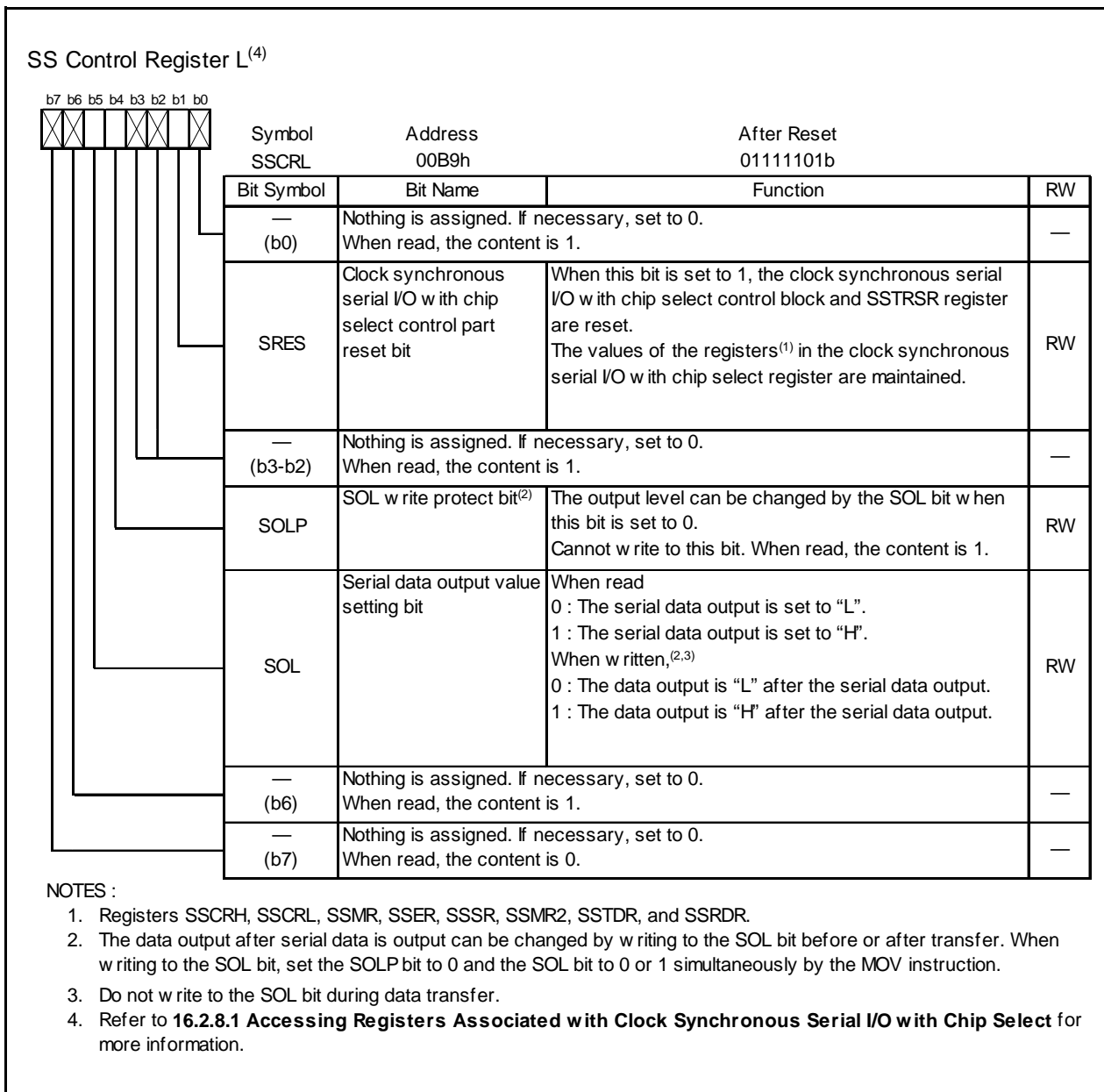


Figure 16.3 SSCRL Register

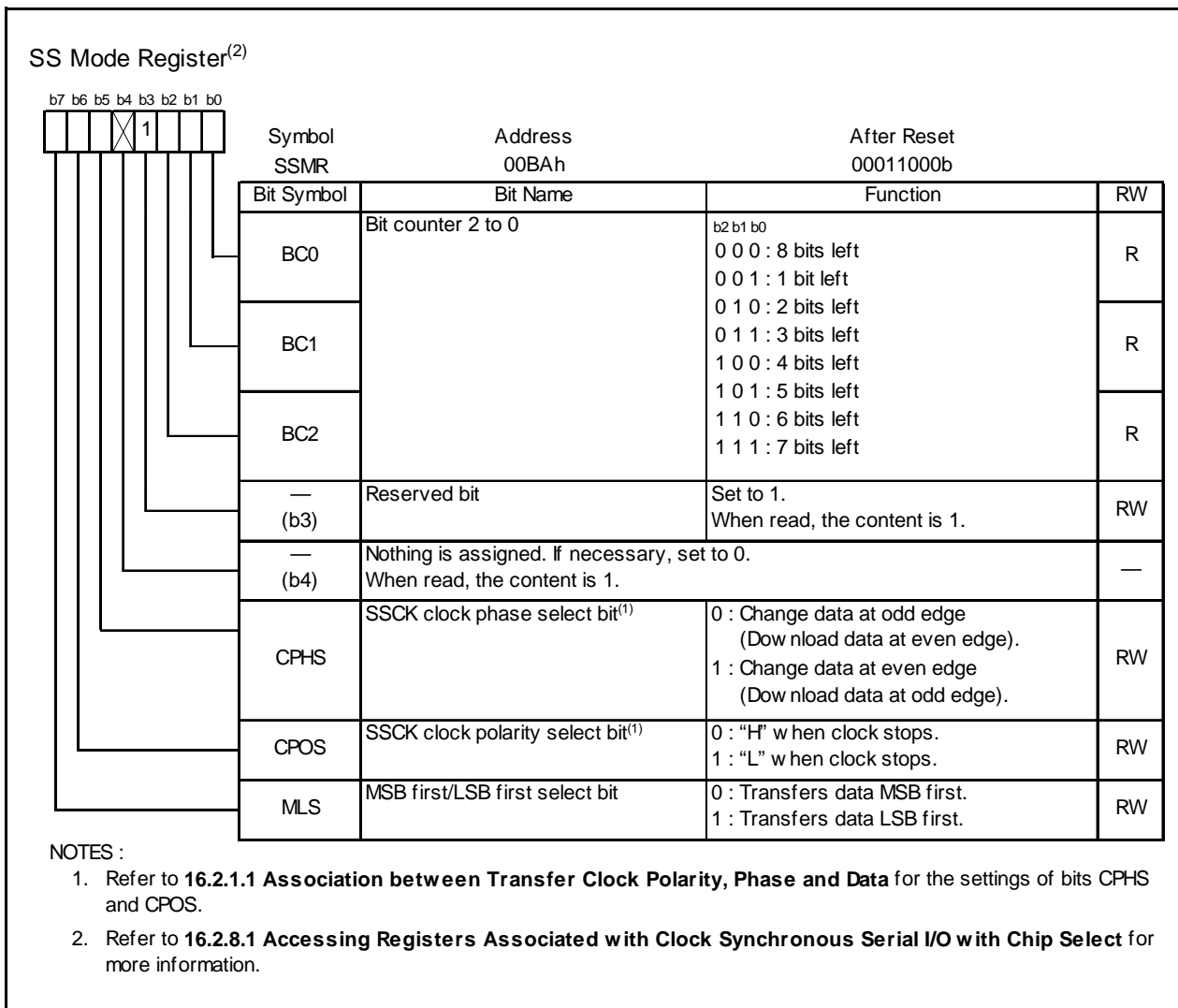


Figure 16.4 SSMR Register

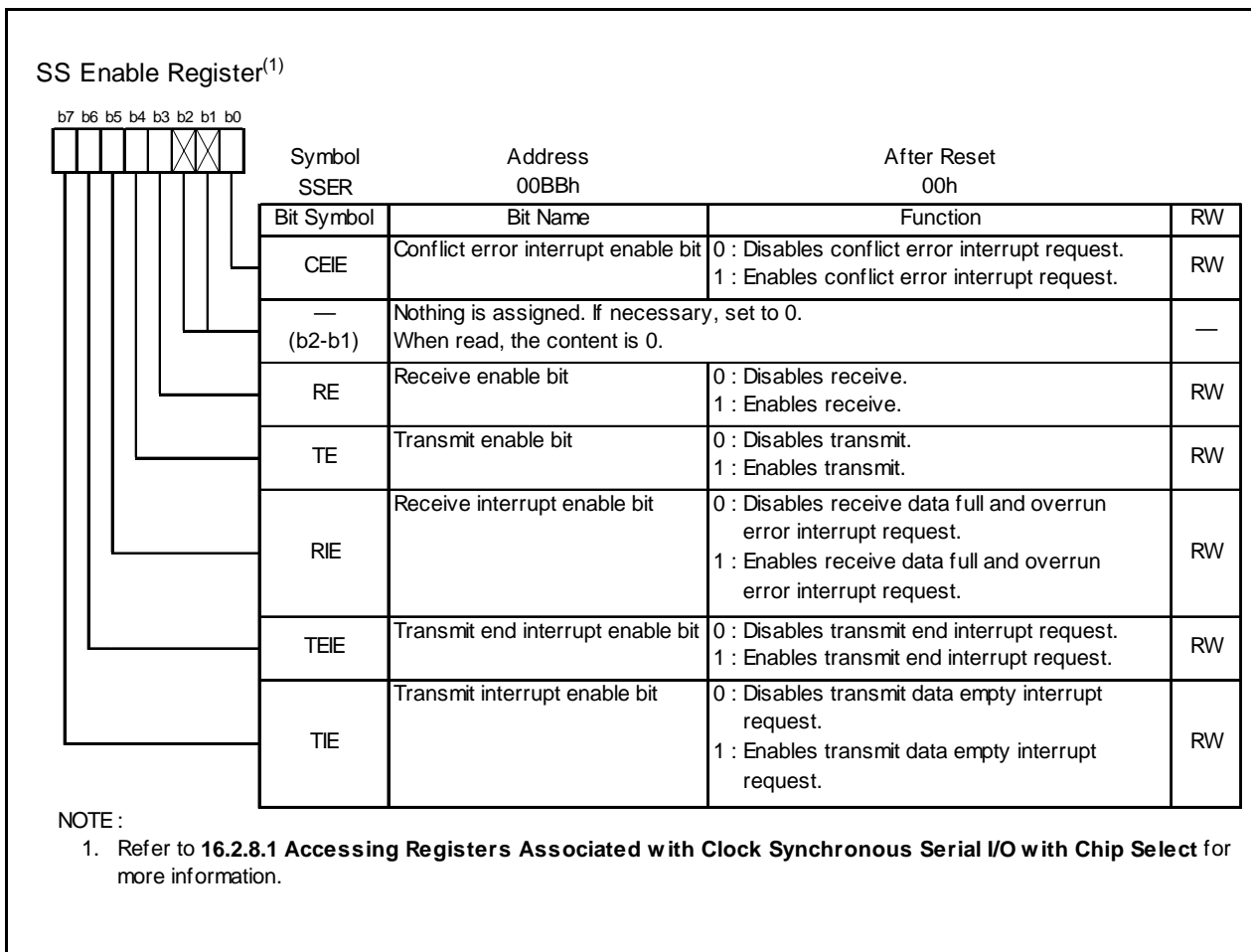


Figure 16.5 SSER Register

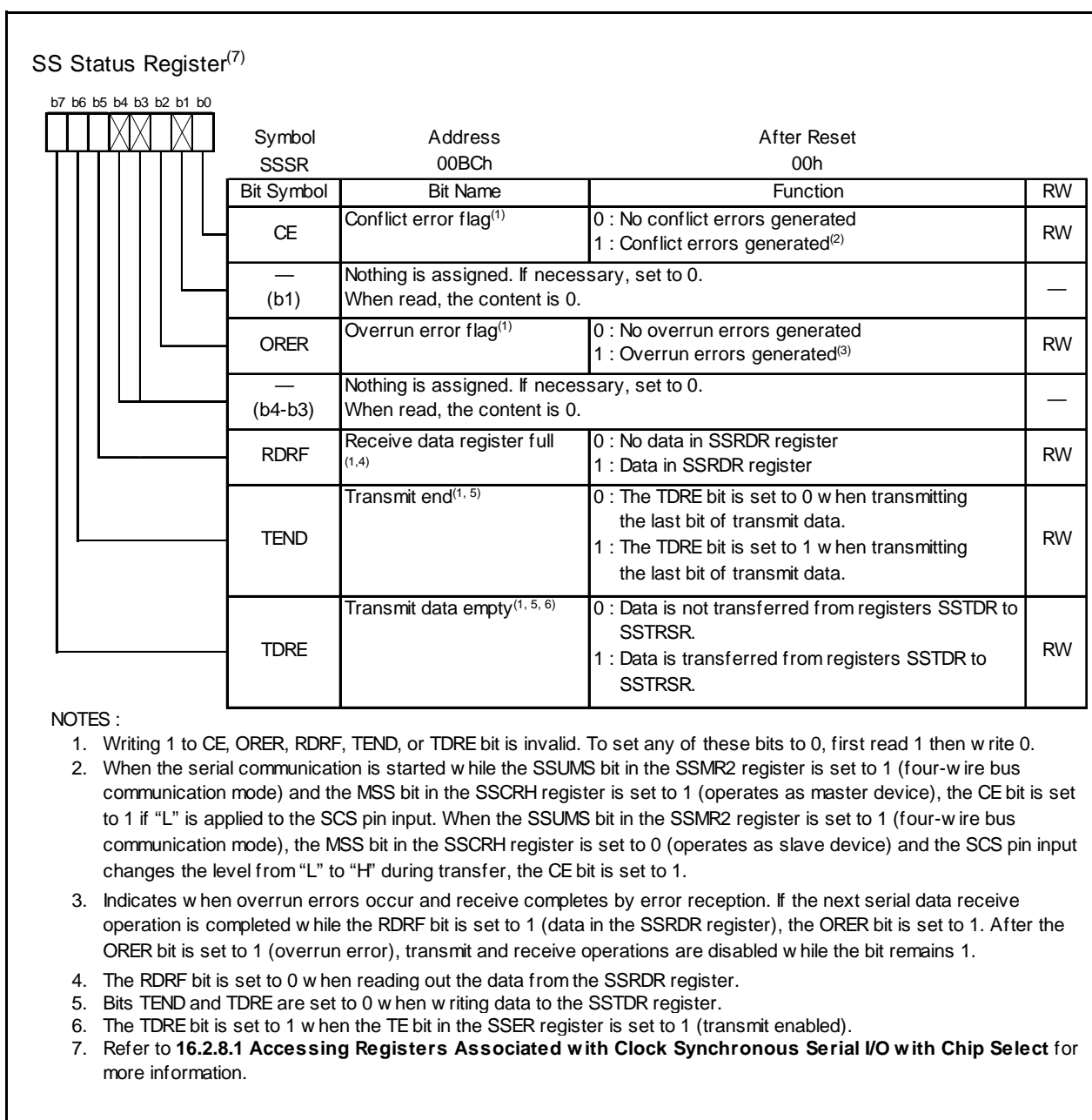


Figure 16.6 SSSR Register

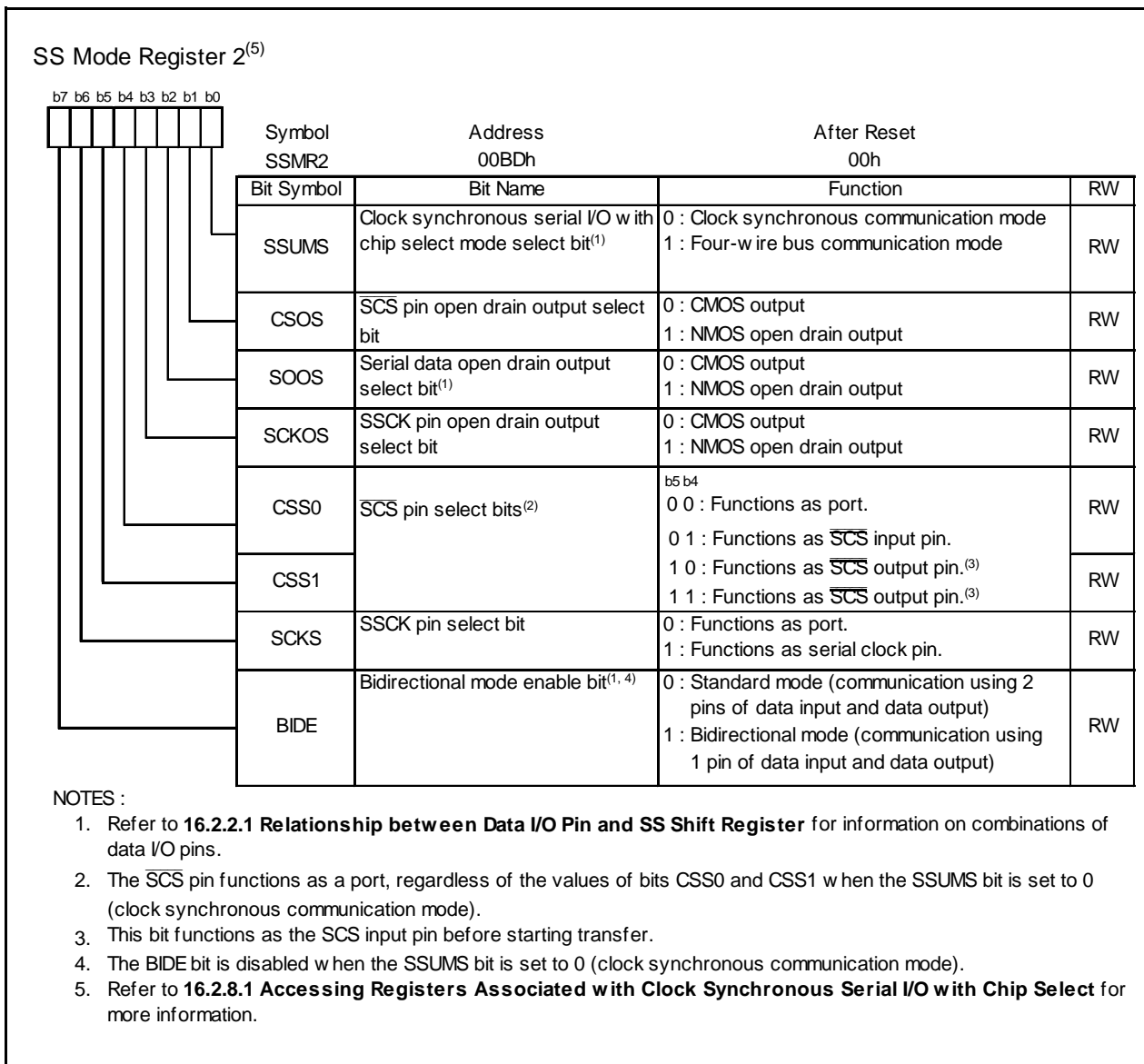


Figure 16.7 SSMR2 Register

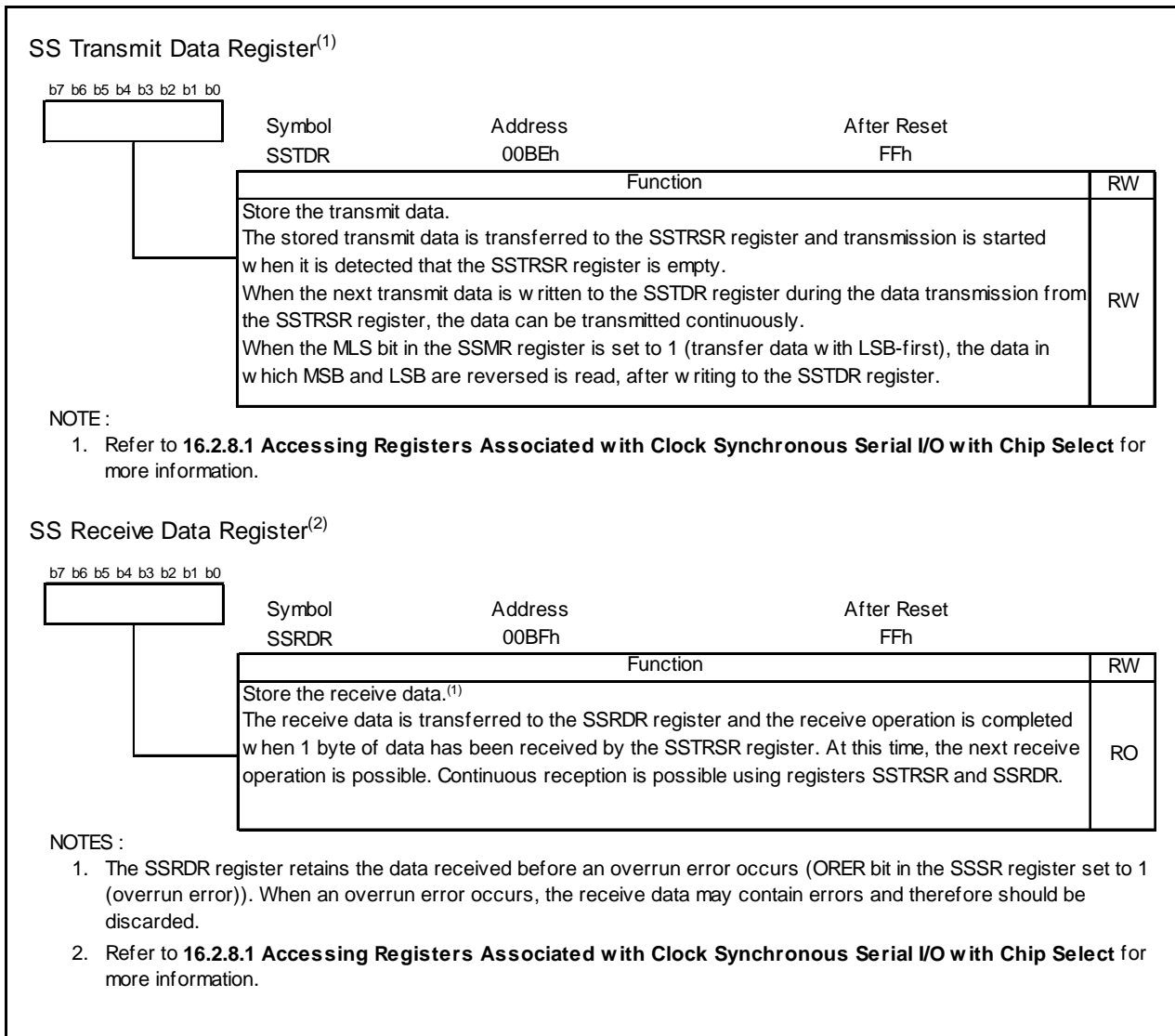


Figure 16.8 Registers SSTDR and SSRDR

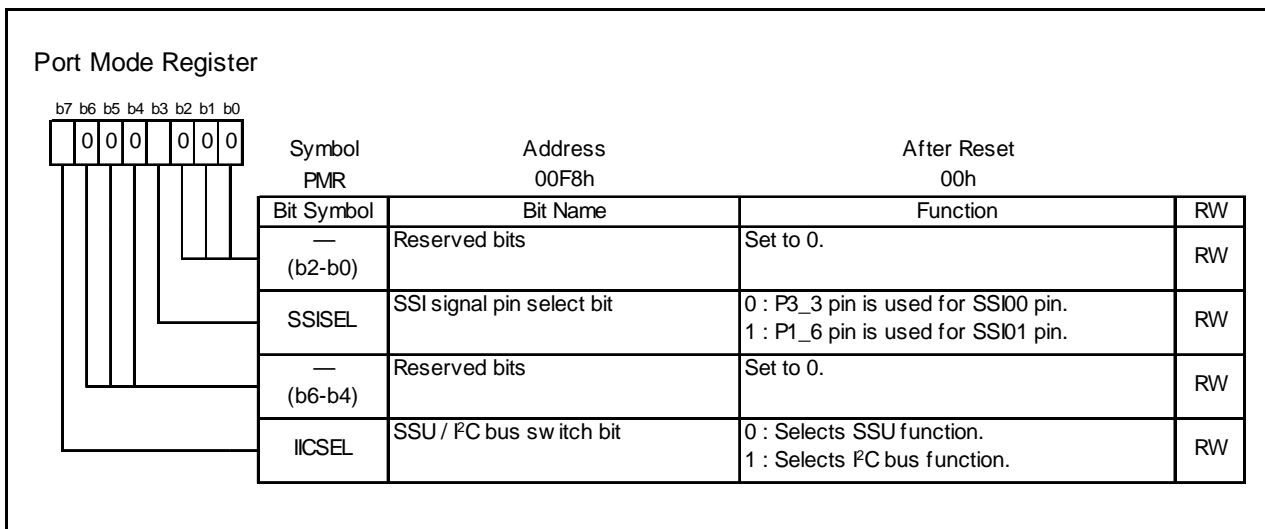


Figure 16.9 PMR Register

16.2.1 Transfer Clock

The transfer clock can be selected among seven internal clocks ($f_1/256$, $f_1/128$, $f_1/64$, $f_1/32$, $f_1/16$, $f_1/8$, and $f_1/4$) and an external clock.

When using clock synchronous serial I/O with chip select, set the SCKS bit in the SSMR2 register to 1 and select the SSCK pin as the serial clock pin.

When the MSS bit in the SSCRH register is set to 1 (operates as master device), an internal clock can be selected and the SSCK pin functions as output. When transfer is started, the SSCK pin outputs clocks of the transfer rate selected by bits CKS0 to CKS2 in the SSCRH register.

When the MSS bit in the SSCRH register is set to 0 (operates as slave device), an external clock can be selected and the SSCK pin functions as input.

16.2.1.1 Association between Transfer Clock Polarity, Phase, and Data

The association between the transfer clock polarity, phase and data changes according to the combination of the SSUMS bit in the SSMR2 register and bits CPHS and CPOS in the SSMR register.

Figure 16.10 shows the Association between Transfer Clock Polarity, Phase, and Transfer Data.

Also, the MSB-first transfer or LSB-first transfer can be selected by setting the MLS bit in the SSMR register. When the MLS bit is set to 1, transfer is started from the LSB and proceeds to the MSB. When the MLS bit is set to 0, transfer is started from the MSB and proceeds to the LSB.

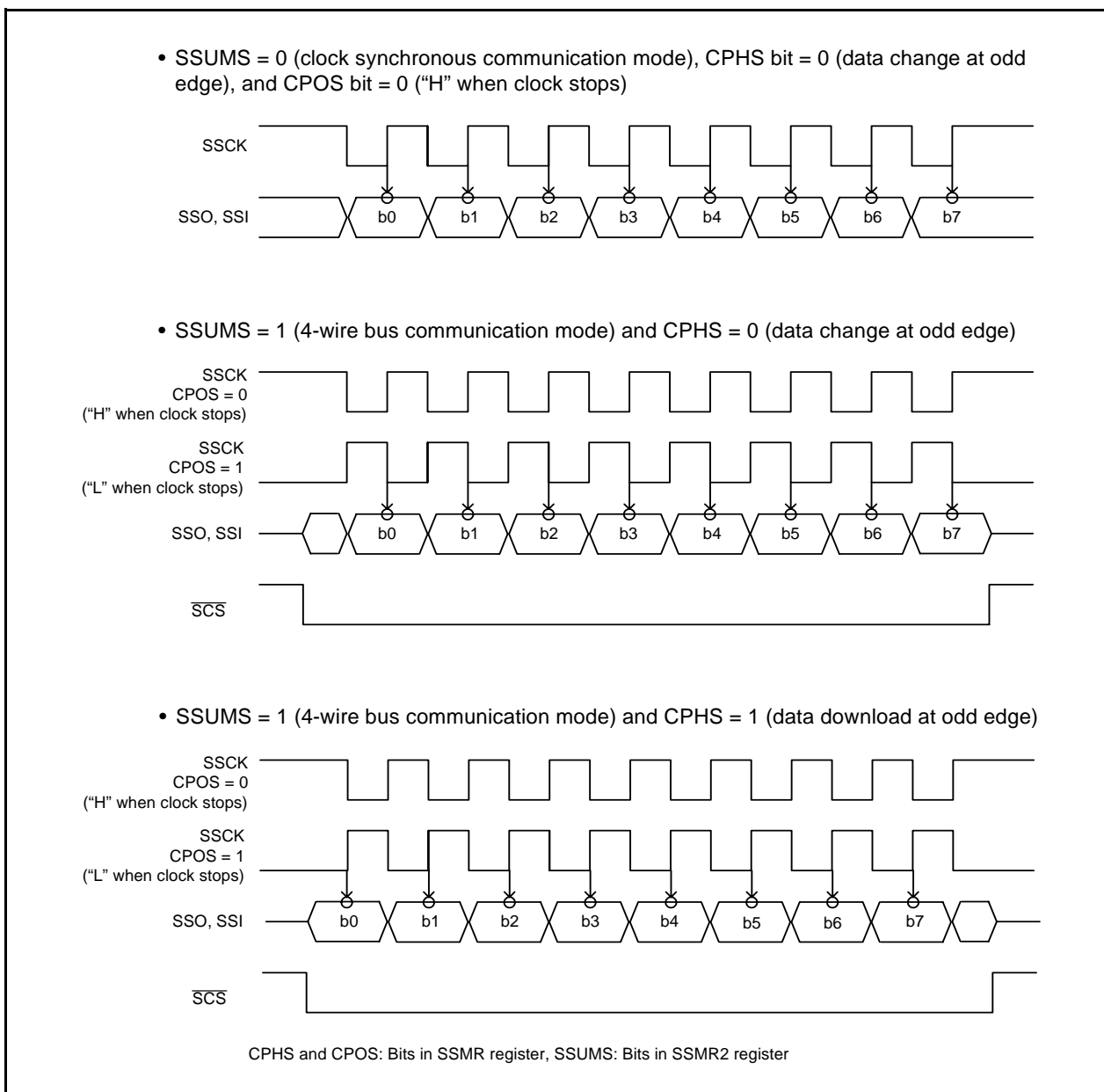


Figure 16.10 Association between Transfer Clock Polarity, Phase, and Transfer Data

16.2.2 SS Shift Register (SSTRSR)

The SSTRSR register is a shift register for transmitting and receiving serial data.

When transmit data is transferred from the SSTDR register to the SSTRSR register and the MLS bit in the SSMR register is set to 0 (MSB-first), the bit 0 in the SSTDR register is transferred to bit 0 in the SSTRSR register. When the MLS bit is set to 1 (LSB-first), bit 7 in the SSTDR register is transferred to bit 0 in the SSTRSR register.

16.2.2.1 Association between Data I/O Pins and SS Shift Register

The connection between the data I/O pins and SSTRSR register (SS shift register) changes according to a combination of the MSS bit in the SSCRH register and the SSUMS bit in the SSMR2 register. The connection also changes according to the BIDE bit in the SSMR2 register.

Figure 16.11 shows the Association between Data I/O Pins and SSTRSR Register.

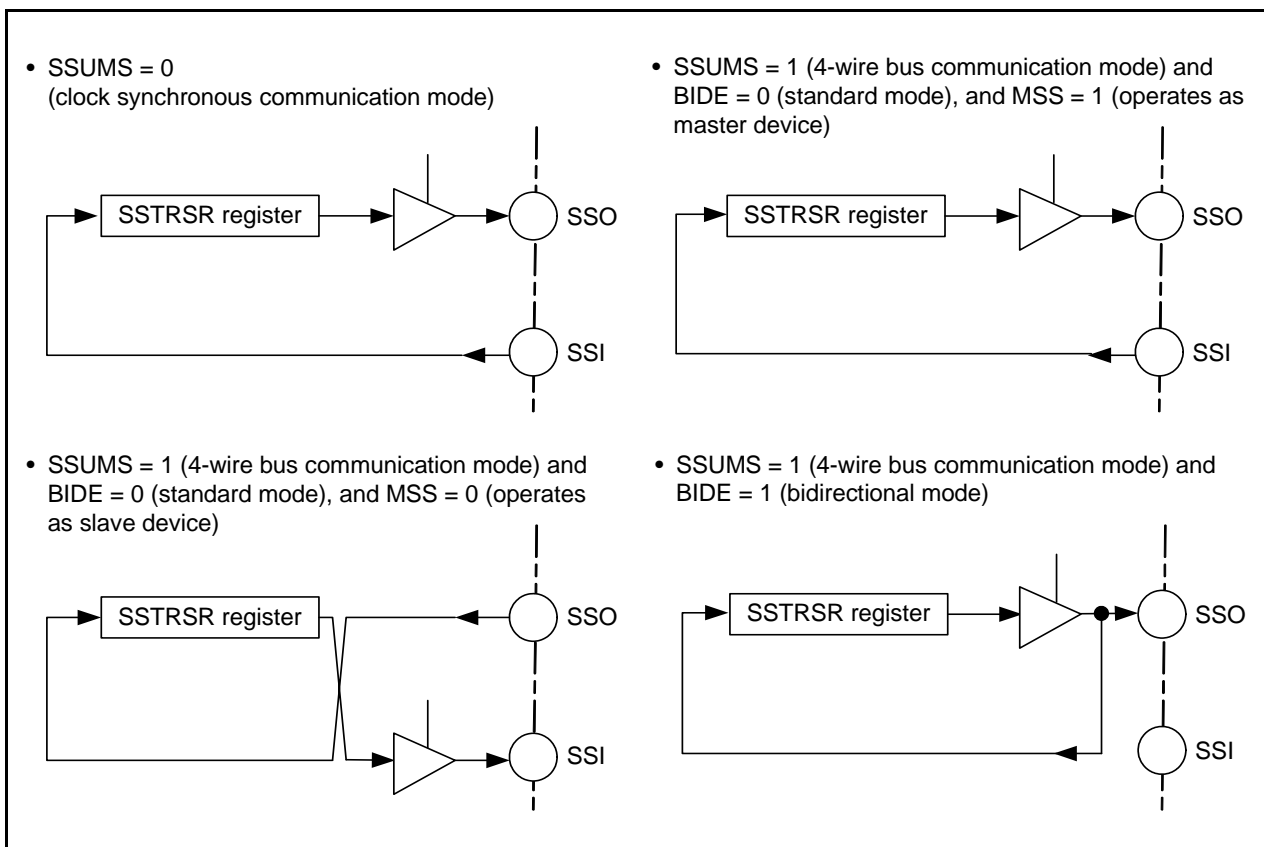


Figure 16.11 Association between Data I/O Pins and SSTRSR Register

16.2.3 Interrupt Requests

Clock synchronous serial I/O with chip select has five interrupt requests: transmit data empty, transmit end, receive data full, overrun error, and conflict error. Since these interrupt requests are assigned to the clock synchronous serial I/O with chip select interrupt vector table, determining interrupt sources by flags is required. Table 16.3 shows the Clock Synchronous Serial I/O with Chip Select Interrupt Requests.

Table 16.3 Clock Synchronous Serial I/O with Chip Select Interrupt Requests

Interrupt Request	Abbreviation	Generation Condition
Transmit data empty	TXI	TIE = 1, TDRE = 1
Transmit end	TEI	TEIE = 1, TEND = 1
Receive data full	RXI	RIE = 1, RDRF = 1
Overrun error	OEI	RIE = 1, ORER = 1
Conflict error	CEI	CEIE = 1, CE = 1

CEIE, RIE, TEIE, and TIE: Bits in SSER register

ORER, RDRF, TEND, and TDRE: Bits in SSSR register

If the generation conditions in Table 16.3 are met, a clock synchronous serial I/O with chip select interrupt request is generated. Set each interrupt source to 0 by a clock synchronous serial I/O with chip select interrupt routine.

However, the TDRE and TEND bits are automatically set to 0 by writing transmit data to the SSTDR register and the RDRF bit is automatically set to 0 by reading the SSRDR register. In particular, the TDRE bit is set to 1 (data transmitted from registers SSTDR to SSTRSR) at the same time transmit data is written to the SSTDR register. Setting the TDRE bit to 0 (data not transmitted from registers SSTDR to SSTRSR) can cause an additional byte of data to be transmitted.

16.2.4 Communication Modes and Pin Functions

Clock synchronous serial I/O with chip select switches the functions of the I/O pins in each communication mode according to the setting of the MSS bit in the SSCRH register and bits RE and TE in the SSER register. Table 16.4 shows the Association between Communication Modes and I/O Pins.

Table 16.4 Association between Communication Modes and I/O Pins

Communication Mode	Bit Setting					Pin State		
	SSUMS	BIDE	MSS	TE	RE	SSI	SSO	SSCK
Clock synchronous communication mode	0	Disabled	0	0	1	Input	–(1)	Input
				1	0	–(1)	Output	Input
				1	1	Input	Output	Input
			1	0	1	Input	–(1)	Output
				1	0	–(1)	Output	Output
				1	1	Input	Output	Output
4-wire bus communication mode	1	0	0	0	1	–(1)	Input	Input
				1	0	Output	–(1)	Input
				1	1	Output	Input	Input
			1	0	1	Input	–(1)	Output
				1	0	–(1)	Output	Output
				1	1	Input	Output	Output
4-wire bus (bidirectional) communication mode ⁽²⁾	1	1	0	0	1	–(1)	Input	Input
				1	0	–(1)	Output	Input
			1	0	1	–(1)	Input	Output
				1	0	–(1)	Output	Output

NOTES:

1. This pin can be used as a programmable I/O port.
2. Do not set both bits TE and RE to 1 in 4-wire bus (bidirectional) communication mode.

SSUMS and BIDE: Bits in SSMR2 register

MSS: Bit in SSCRH register

TE and RE: Bits in SSER register

16.2.5 Clock Synchronous Communication Mode

16.2.5.1 Initialization in Clock Synchronous Communication Mode

Figure 16.12 shows Initialization in Clock Synchronous Communication Mode. To initialize, set the TE bit in the SSER register to 0 (transmit disabled) and the RE bit to 0 (receive disabled) before data transmission or reception.

Set the TE bit to 0 and the RE bit to 0 before changing the communication mode or format.

Setting the RE bit to 0 does not change the contents of flags RDRF and ORER and the contents of the SSRDR register.

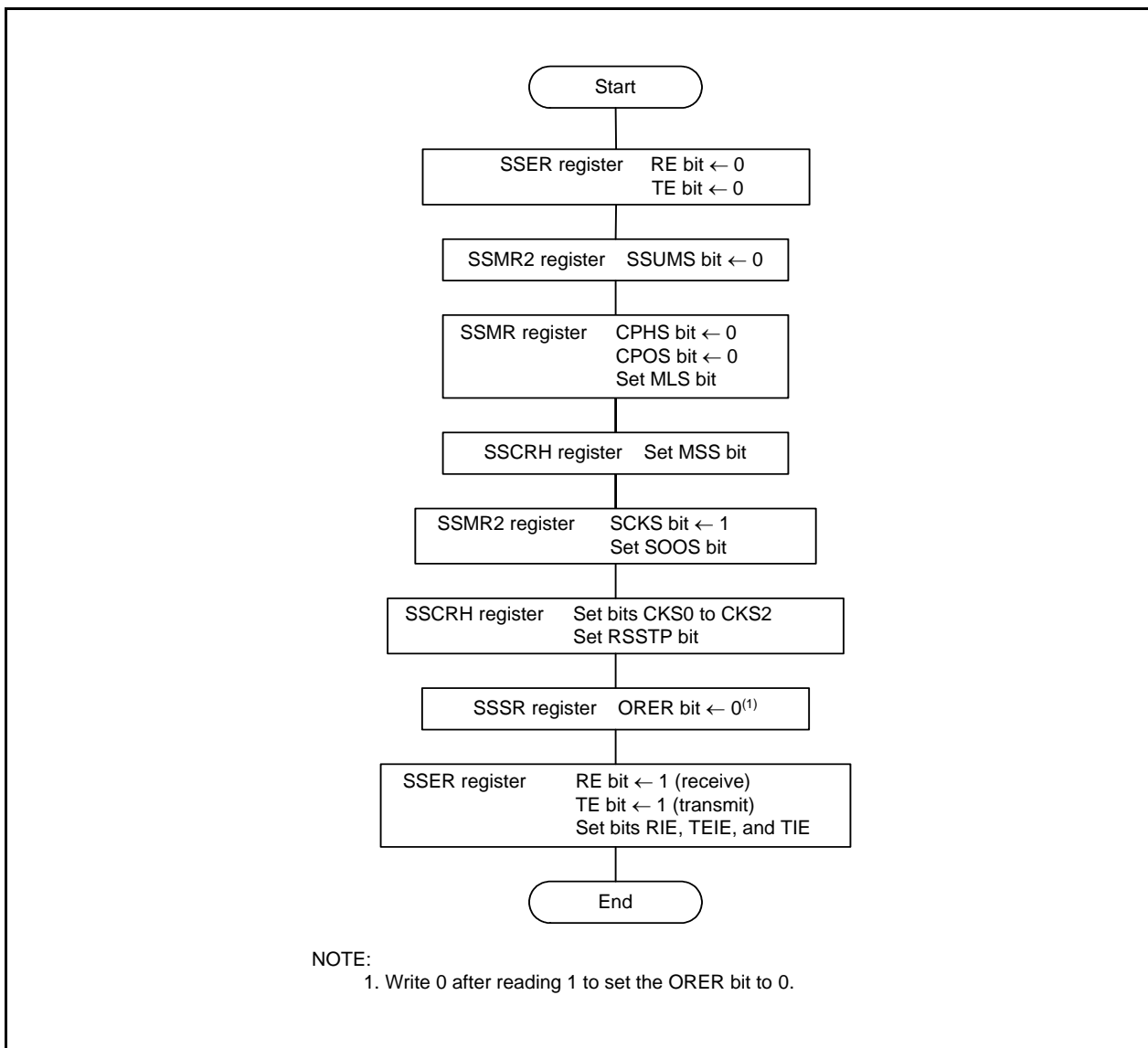


Figure 16.12 Initialization in Clock Synchronous Communication Mode

16.2.5.2 Data Transmission

Figure 16.13 shows an Example of Clock Synchronous Serial I/O with Chip Select Operation for Data Transmission (Clock Synchronous Communication Mode). During data transmission, clock synchronous serial I/O with chip select operates as described below.

When clock synchronous serial I/O with chip select is set as a master device, it outputs a synchronous clock and data. When clock synchronous serial I/O with chip select is set as a slave device, it outputs data synchronized with the input clock.

When the TE bit is set to 1 (transmit enabled) before writing the transmit data to the SSTDR register, the TDRE bit is automatically set to 0 (data not transferred from registers SSTDR to SSTRSR) and the data is transferred from registers SSTDR to SSTRSR.

After the TDRE bit is set to 1 (data transferred from registers SSTDR to SSTRSR), transmission starts. When the TIE bit in the SSER register is set to 1, the TXI interrupt request is generated. When one frame of data is transferred while the TDRE bit is set to 0, data is transferred from registers SSTDR to SSTRSR and transmission of the next frame is started. If the 8th bit is transmitted while the TDRE bit is set to 1, the TEND bit in the SSSR register is set to 1 (the TDRE bit is set to 1 when the last bit of the transmit data is transmitted) and the state is retained. The TEI interrupt request is generated when the TEIE bit in the SSER register is set to 1 (transmit-end interrupt request enabled). The SSCK pin is fixed "H" after transmit-end.

Transmission cannot be performed while the ORER bit in the SSSR register is set to 1 (overrun error). Confirm that the ORER bit is set to 0 before transmission.

Figure 16.14 shows a Sample Flowchart of Data Transmission (Clock Synchronous Communication Mode).

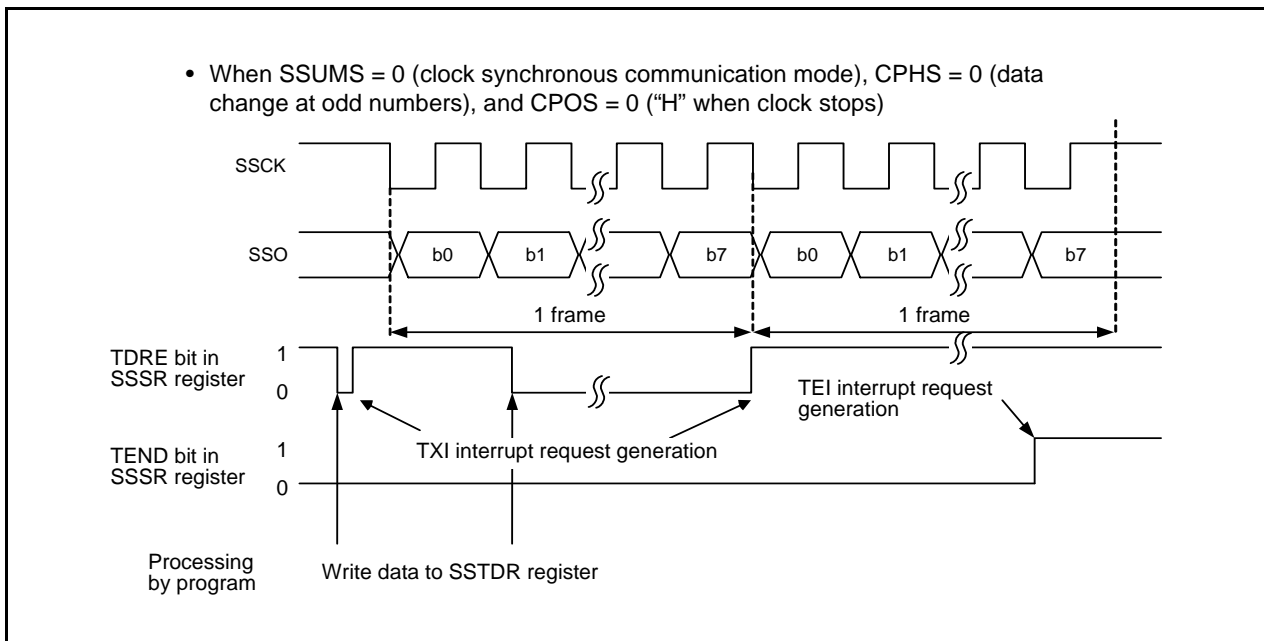


Figure 16.13 Example of Clock Synchronous Serial I/O with Chip Select Operation for Data Transmission (Clock Synchronous Communication Mode)

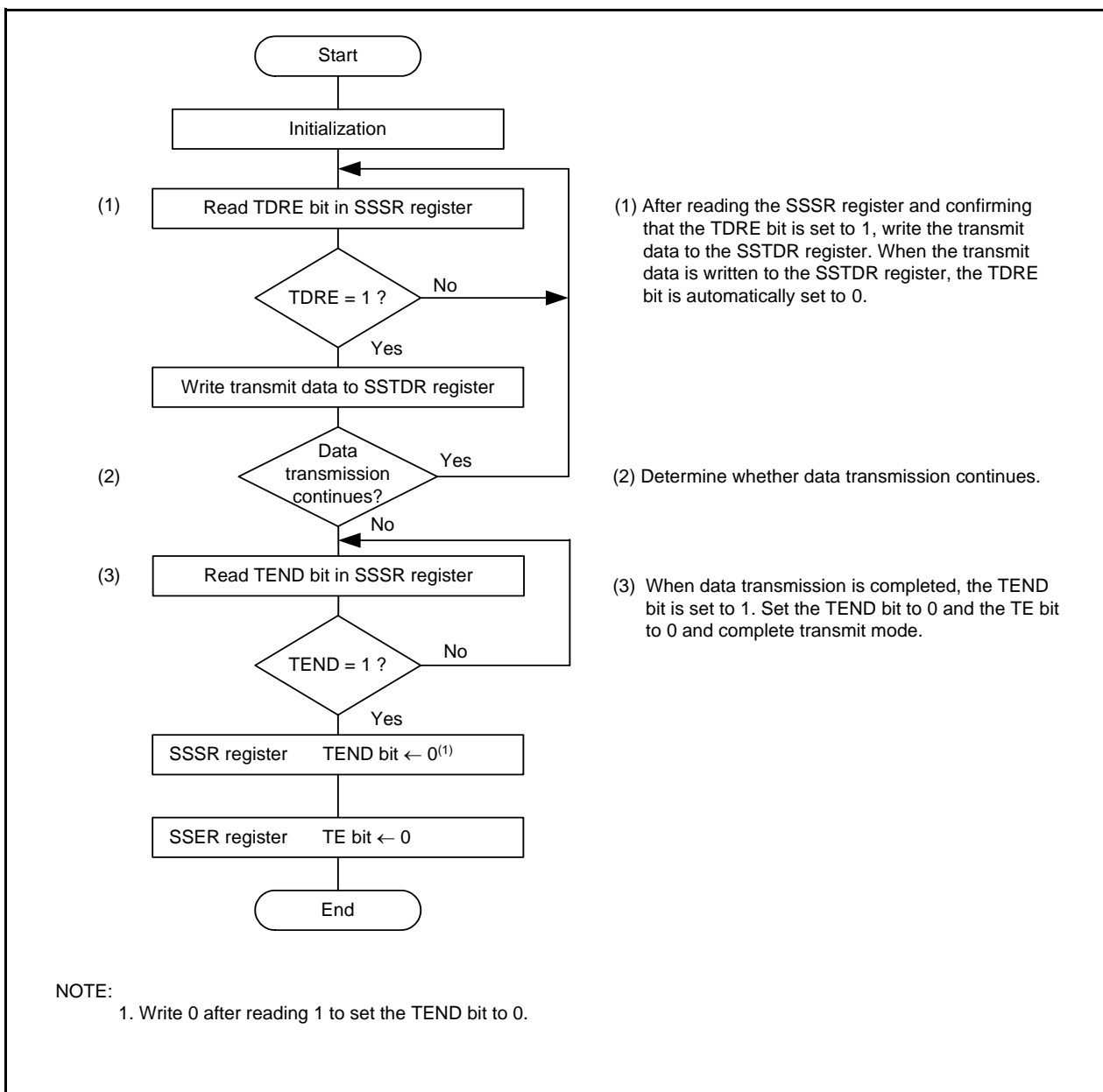


Figure 16.14 Sample Flowchart of Data Transmission (Clock Synchronous Communication Mode)

16.2.5.3 Data Reception

Figure 16.15 shows an Example of Clock Synchronous Serial I/O with Chip Select Operation for Data Reception (Clock Synchronous Communication Mode).

During data reception clock synchronous serial I/O with chip select operates as described below. When clock synchronous serial I/O with chip select is set as the master device, it outputs a synchronous clock and inputs data. When clock synchronous serial I/O with chip select is set as a slave device, it inputs data synchronized with the input clock.

When clock synchronous serial I/O with chip select is set as a master device, it outputs a receive clock and starts receiving by performing dummy read of the SSRDR register.

After 8 bits of data are received, the RDRF bit in the SSSR register is set to 1 (data in the SSRDR register) and receive data is stored in the SSRDR register. When the RIE bit in the SSER register is set to 1 (RXI and OEI interrupt requests enabled), the RXI interrupt request is generated. If the SSRDR register is read, the RDRF bit is automatically set to 0 (no data in the SSRDR register).

Read the receive data after setting the RSSTP bit in the SSCRH register to 1 (after receiving 1 byte of data, the receive operation is completed). Clock synchronous serial I/O with chip select outputs a clock for receiving 8 bits of data and stops. After that, set the RE bit in the SSER register to 0 (receive disabled) and the RSSTP bit to 0 (receive operation is continued after receiving the 1 byte of data) and read the receive data. If the SSRDR register is read while the RE bit is set to 1 (receive enabled), a receive clock is output again.

When the 8th clock rises while the RDRF bit is set to 1, the ORER bit in the SSSR register is set to 1 (overrun error: OEI) and the operation is stopped. When the ORER bit is set to 1, receive cannot be performed. Confirm that the ORER bit is set to 0 before restarting receive.

Figure 16.16 shows a Sample Flowchart of Data Reception (MSS = 1) (Clock Synchronous Communication Mode).

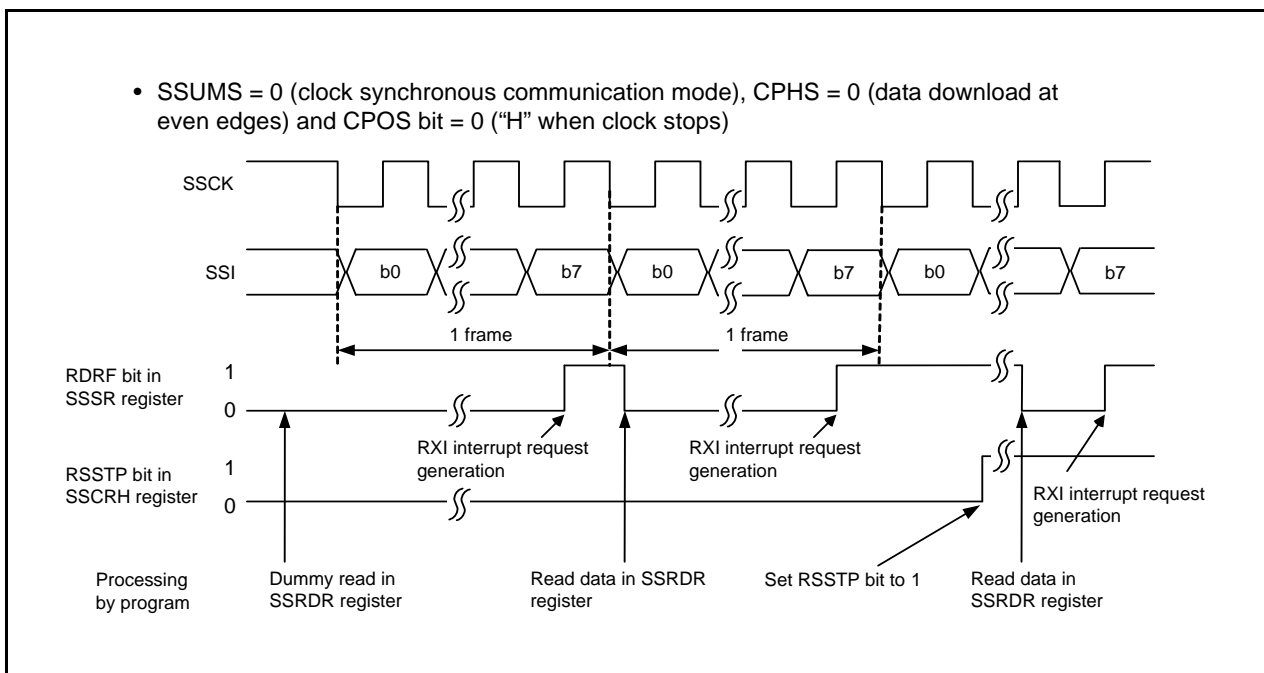


Figure 16.15 Example of Clock Synchronous Serial I/O with Chip Select Operation for Data Reception (Clock Synchronous Communication Mode)

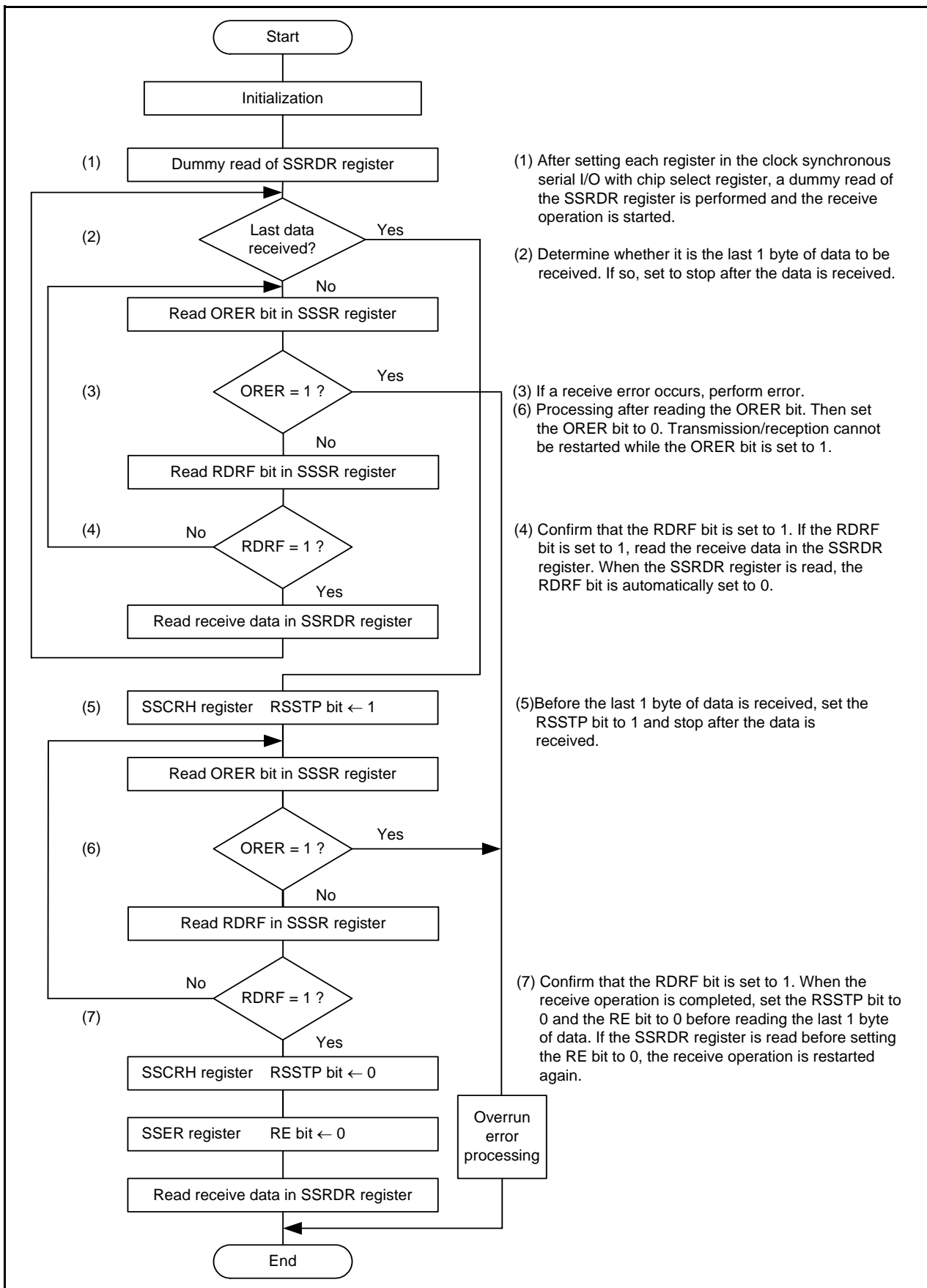


Figure 16.16 Sample Flowchart of Data Reception (MSS = 1) (Clock Synchronous Communication Mode)

16.2.5.4 Data Transmission/Reception

Data transmission/reception is an operation combining data transmission and reception, which were described earlier. Transmission/reception is started by writing data to the SSTDR register.

When the 8th clock rises or the ORER bit is set to 1 (overrun error) while the TDRE bit is set to 1 (data is transferred from registers SSTDR to SSTRSR), the transmit/receive operation is stopped.

When switching from transmit mode (TE = 1) or receive mode (RE = 1) to transmit/receive mode (Te = RE = 1), set the TE bit to 0 and RE bit to 0 before switching. After confirming that the TEND bit is set to 0 (the TDRE bit is set to 0 when the last bit of the transmit data is transmitted), the RDRF bit is set to 0 (no data in the SSRDR register) and the ORER bit is set to 0 (no overrun error), set bits TE and RE to 1.

Figure 16.17 shows a Sample Flowchart of Data Transmission/Reception (Clock Synchronous Communication Mode).

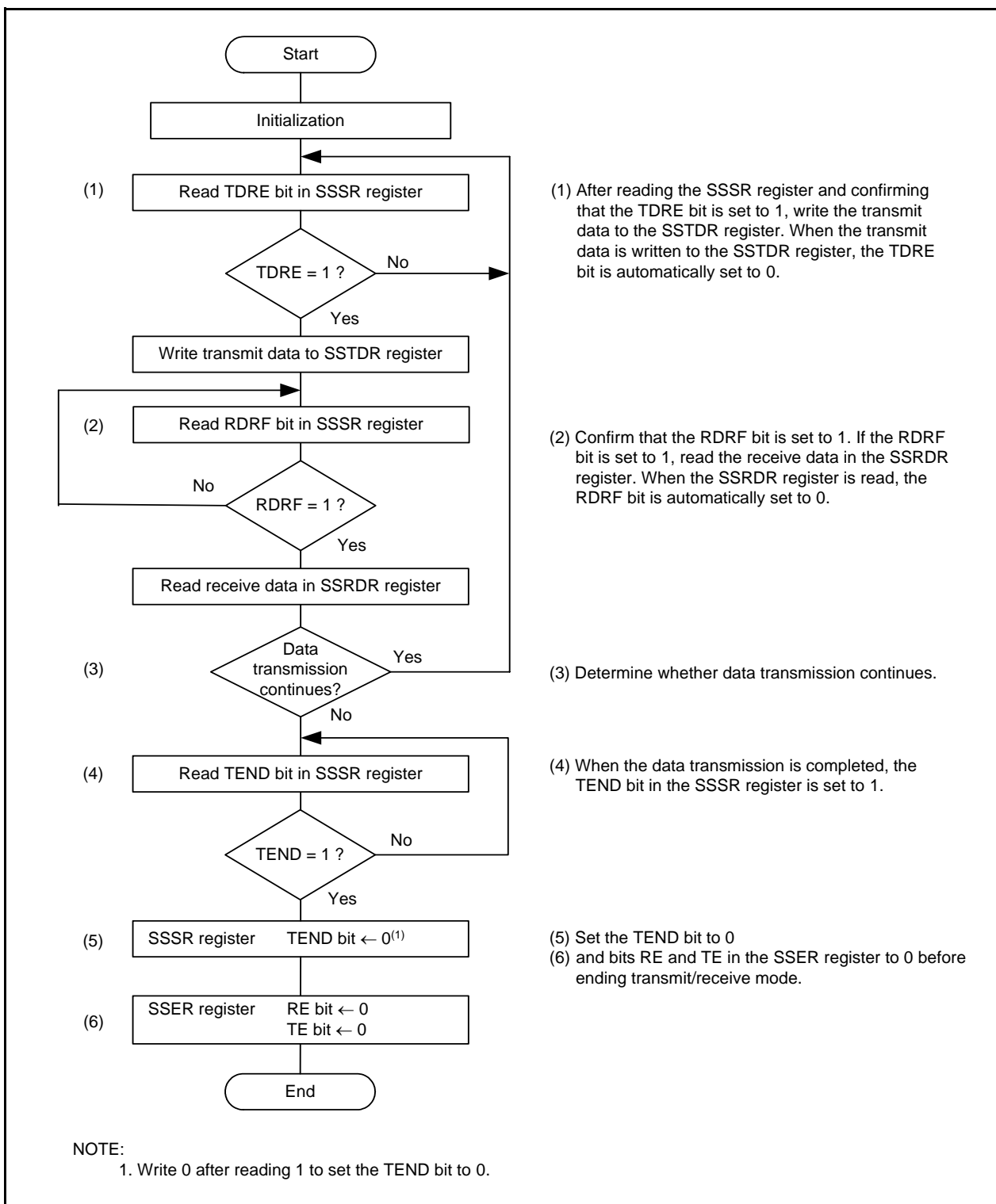


Figure 16.17 Sample Flowchart of Data Transmission/Reception (Clock Synchronous Communication Mode)

16.2.6 Operation in 4-Wire Bus Communication Mode

In 4-wire bus communication mode, a 4-wire bus consisting of a clock line, a data input line, a data output line, and a chip select line is used for communication. This mode includes bidirectional mode in which the data input line and data output line function as a single pin.

The data input line and output line change according to the settings of the MSS bit in the SSCRH register and the BIDE bit in the SSMR2 register. For details, refer to **16.2.2.1 Association between Data I/O Pins and SS Shift Register**. In this mode, clock polarity, phase, and data settings are performed by bits CPOS and CPHS in the SSMR register. For details, refer to **16.2.1.1 Association between Transfer Clock Polarity, Phase, and Data**.

When this MCU is set as the master device, the chip select line controls output. When clock synchronous serial I/O with chip select is set as a slave device, the $\overline{\text{chip}}$ select line controls input. When it is set as the master device, the chip select line controls output of the $\overline{\text{SCS}}$ pin or controls output of a general port according to the setting of the CSS1 bit in the SSMR2 register. When the MCU is set as a slave device, the chip select line sets the $\overline{\text{SCS}}$ pin as an input pin by setting bits CSS1 and CSS0 in the SSMR2 register to 01b.

In 4-wire bus communication mode, the MLS bit in the SSMR register is set to 0 and communication is performed MSB-first.

16.2.6.1 Initialization in 4-Wire Bus Communication Mode

Figure 16.18 shows Initialization in 4-Wire Bus Communication Mode. Before the data transit/receive operation, set the TE bit in the SSER register to 0 (transmit disabled), the RE bit in the SSER register to 0 (receive disabled), and initialize the clock synchronous serial I/O with chip select.

To change the communication mode or format, set the TE bit to 0 and the RE bit to 0 before making the change. Setting the RE bit to 0 does not change the settings of flags RDRF and ORER or the contents of the SSRDR register.

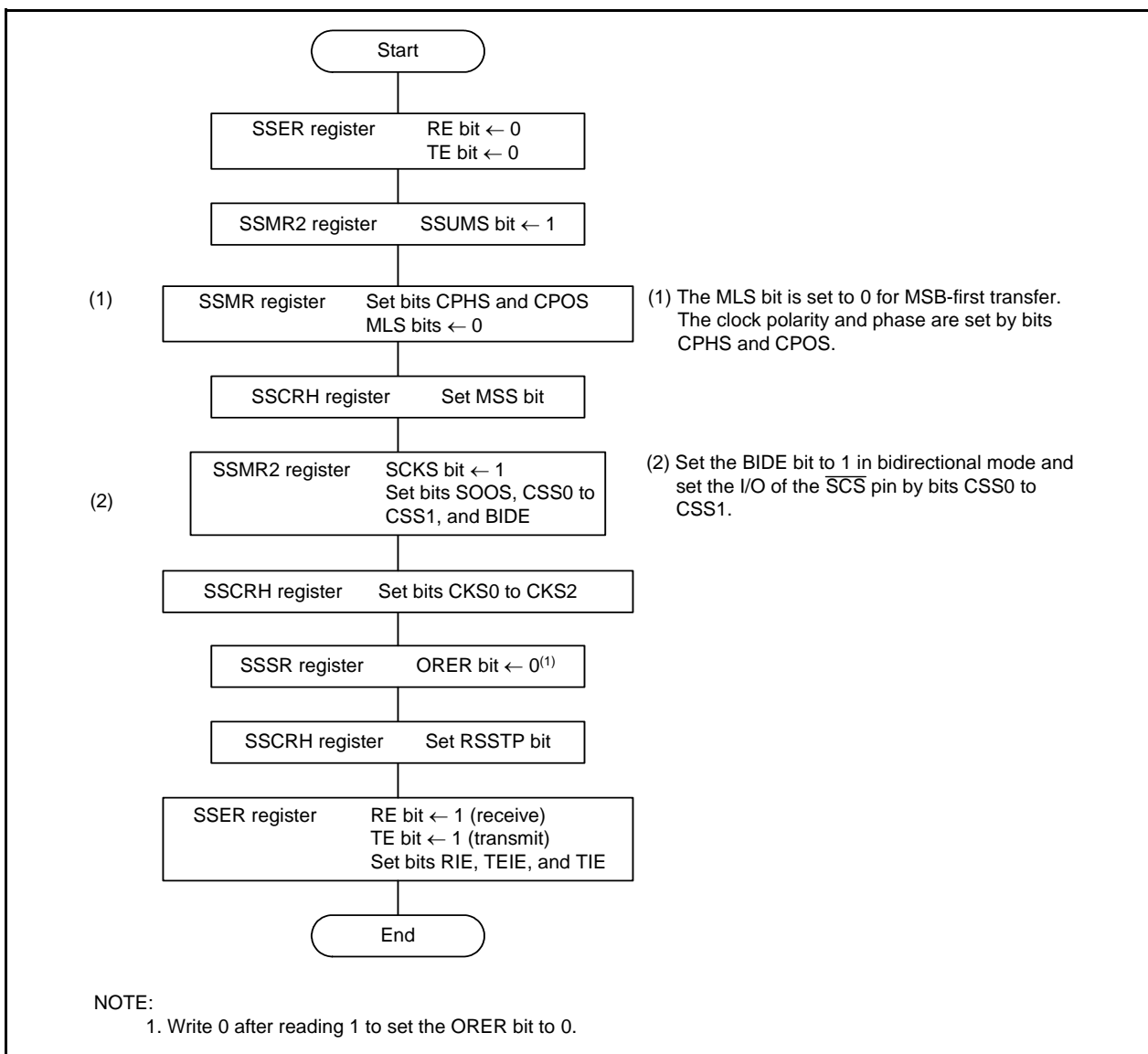


Figure 16.18 Initialization in 4-Wire Bus Communication Mode

16.2.6.2 Data Transmission

Figure 16.19 shows an Example of Clock Synchronous Serial I/O with Chip Select Operation during Data Transmission (4-Wire Bus Communication Mode). During the data transmit operation, clock synchronous serial I/O with chip select operates as described below.

When the MCU is set as the master device, it outputs a synchronous clock and data. When the MCU is set as a slave device, it outputs data in synchronization with the input clock while the \overline{SCS} pin is "L".

When the transmit data is written to the SSTDR register after setting the TE bit to 1 (transmit enabled), the TDRE bit is automatically set to 0 (data has not been transferred from registers SSTDR to SSTRSR) and the data is transferred from registers SSTDR to SSTRSR. After the TDRE bit is set to 1 (data is transferred from registers SSTDR to SSTRSR), transmission starts. When the TIE bit in the SSER register is set to 1, a TXI interrupt request is generated.

After 1 frame of data is transferred while the TDRE bit is set to 0, the data is transferred from registers SSTDR to SSTRSR and transmission of the next frame is started. If the 8th bit is transmitted while TDRE is set to 1, TEND in the SSSR register is set to 1 (when the last bit of the transmit data is transmitted, the TDRE bit is set to 1) and the state is retained. If the TEIE bit in the SSER register is set to 1 (transmit-end interrupt requests enabled), a TEI interrupt request is generated. The SSCK pin remains "H" after transmit-end and the \overline{SCS} pin is held "H". When transmitting continuously while the \overline{SCS} pin is held "L", write the next transmit data to the SSTDR register before transmitting the 8th bit.

Transmission cannot be performed while the ORER bit in the SSSR register is set to 1 (overrun error). Confirm that the ORER bit is set to 0 before transmission.

In contrast to the clock synchronous communication mode, the SSO pin is placed in high-impedance state while the \overline{SCS} pin is placed in high-impedance state when operating as a master device and the SSI pin is placed in high-impedance state while the \overline{SCS} pin is placed in "H" input state when operating as a slave device.

The sample flowchart is the same as that for the clock synchronous communication mode. (Refer to **Figure 16.14 Sample Flowchart of Data Transmission (Clock Synchronous Communication Mode)**.)

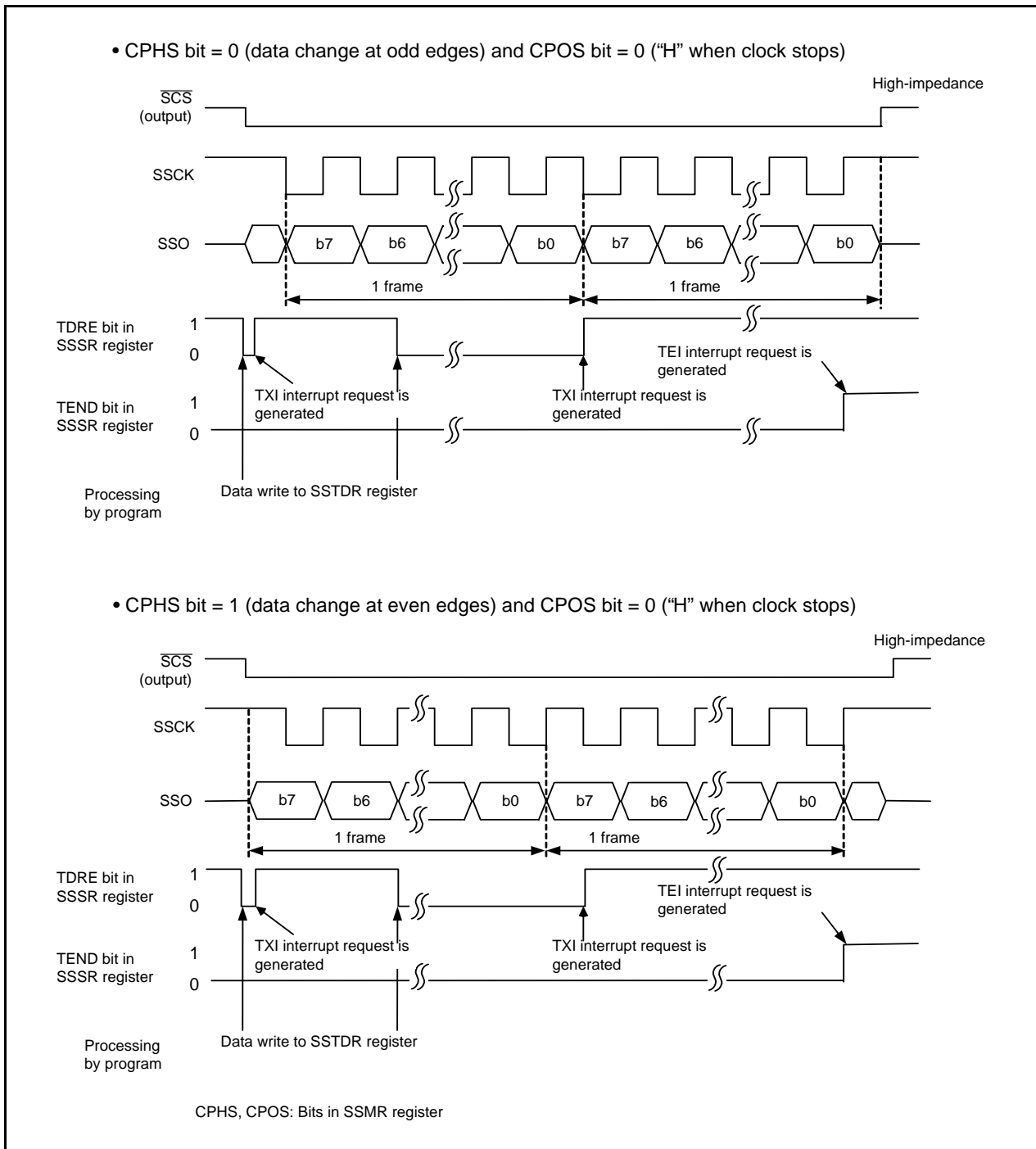


Figure 16.19 Example of Clock Synchronous Serial I/O with Chip Select Operation during Data Transmission (4-Wire Bus Communication Mode)

16.2.6.3 Data Reception

Figure 16.20 shows an example of clock synchronous serial I/O with chip select operation (4-wire bus communication mode) for data reception. During data reception, clock synchronous serial I/O with chip select operates as described below.

When the MCU is set as the master device, it outputs a synchronous clock and inputs data. When the MCU is set as a slave device, it outputs data synchronized with the input clock while the SCS pin receives “L” input. When the MCU is set as the master device, it outputs a receive clock and starts receiving by performing a dummy read of the SSRDR register.

After 8 bits of data are received, the RDRF bit in the SSSR register is set to 1 (data in the SSRDR register) and the receive data is stored in the SSRDR register. When the RIE bit in the SSER register is set to 1 (RXI and OEI interrupt request enabled), an RXI interrupt request is generated. When the SSRDR register is read, the RDRF bit is automatically set to 0 (no data in the SSRDR register).

Read the receive data after setting the RSSTP bit in the SSCRH register to 1 (after receiving 1-byte data, the receive operation is completed). Clock synchronous serial I/O with chip select outputs a clock for receiving 8 bits of data and stops. After that, set the RE bit in the SSER register to 0 (receive disabled) and the RSSTP bit to 0 (receive operation is continued after receiving 1-byte data) and read the receive data. When the SSRDR register is read while the RE bit is set to 1 (receive enabled), a receive clock is output again.

When the 8th clock rises while the RDRF bit is set to 1, the ORER bit in the SSSR register is set to 1 (overrun error: OEI) and the operation is stopped. When the ORER bit is set to 1, reception cannot be performed. Confirm that the ORER bit is set to 0 before restarting reception.

The timing with which bits RDRF and ORER are set to 1, varies depending on the setting of the CPHS bit in the SSMR register. Figure 16.20 shows when bits RDRF and ORER are set to 1.

When the CPHS bit is set to 1 (data download at the odd edges), bits RDRF and ORER are set to 1 at some point during the frame.

The sample flowchart is the same as that for the clock synchronous communication mode. (Refer to **Figure 16.16 Sample Flowchart of Data Reception (MSS = 1) (Clock Synchronous Communication Mode)**.)

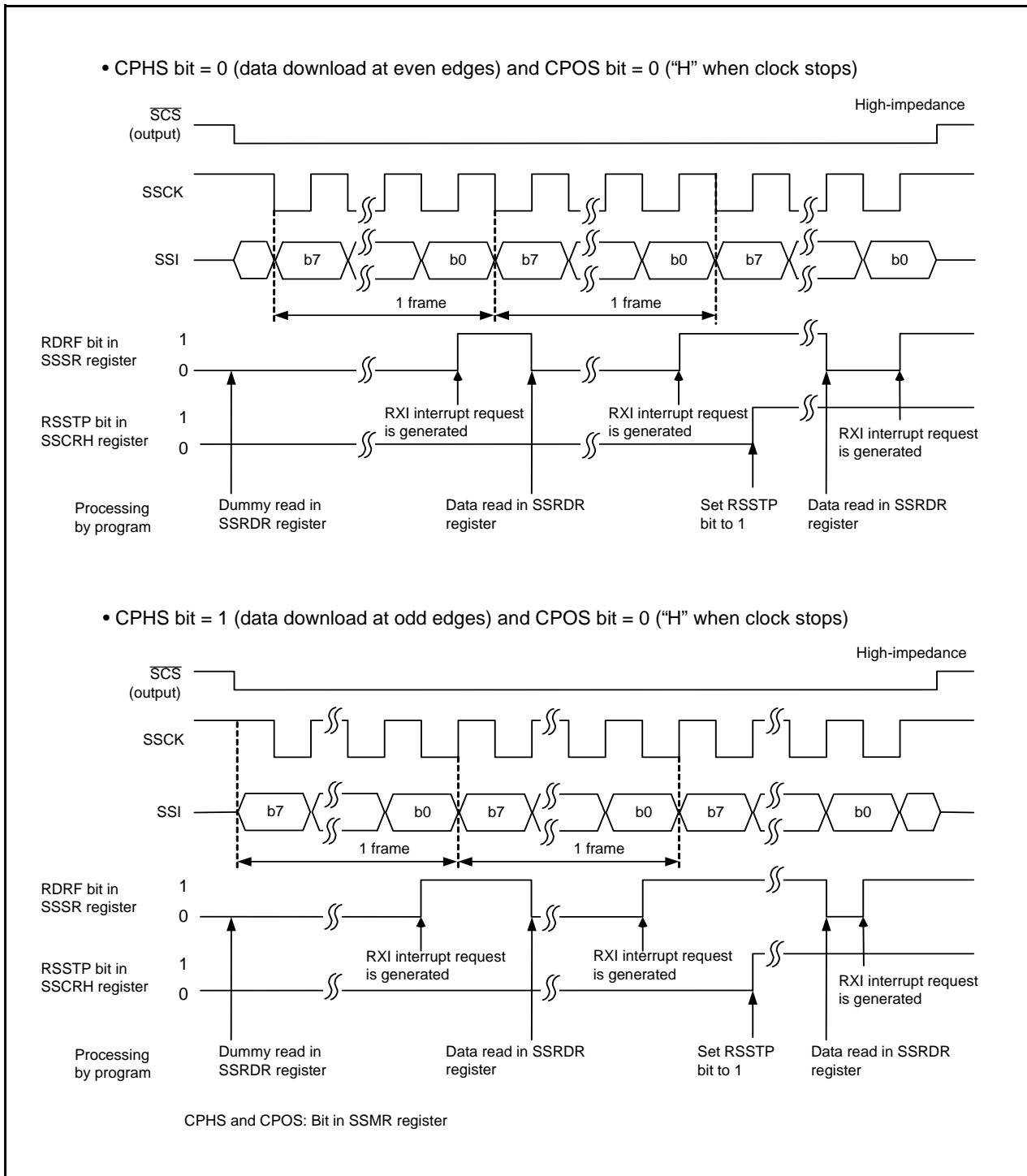


Figure 16.20 Example of Clock Synchronous Serial I/O with Chip Select Operation during Data Reception (4-Wire Bus Communication Mode)

16.2.7 \overline{SCS} Pin Control and Arbitration

When setting the SSUMS bit in the SSMR2 register to 1 (4-wire bus communication mode), and the CSS1 bit in the SSMR2 register to 1 (functions as \overline{SCS} output pin), set the MSS bit in the SSCRH register to 1 (operates as the master device) and check the arbitration of the \overline{SCS} pin before starting serial transfer. If clock synchronous serial I/O with chip select detects that the synchronized internal \overline{SCS} signal is held "L" in this period, the CE bit in the SSSR register is set to 1 (conflict error) and the MSS bit is automatically set to 0 (operates as a slave device).

Figure 16.21 shows the Arbitration Check Timing.

Future transmit operations are not performed while the CE bit is set to 1. Set the CE bit to 0 (no conflict error) before starting transmission .

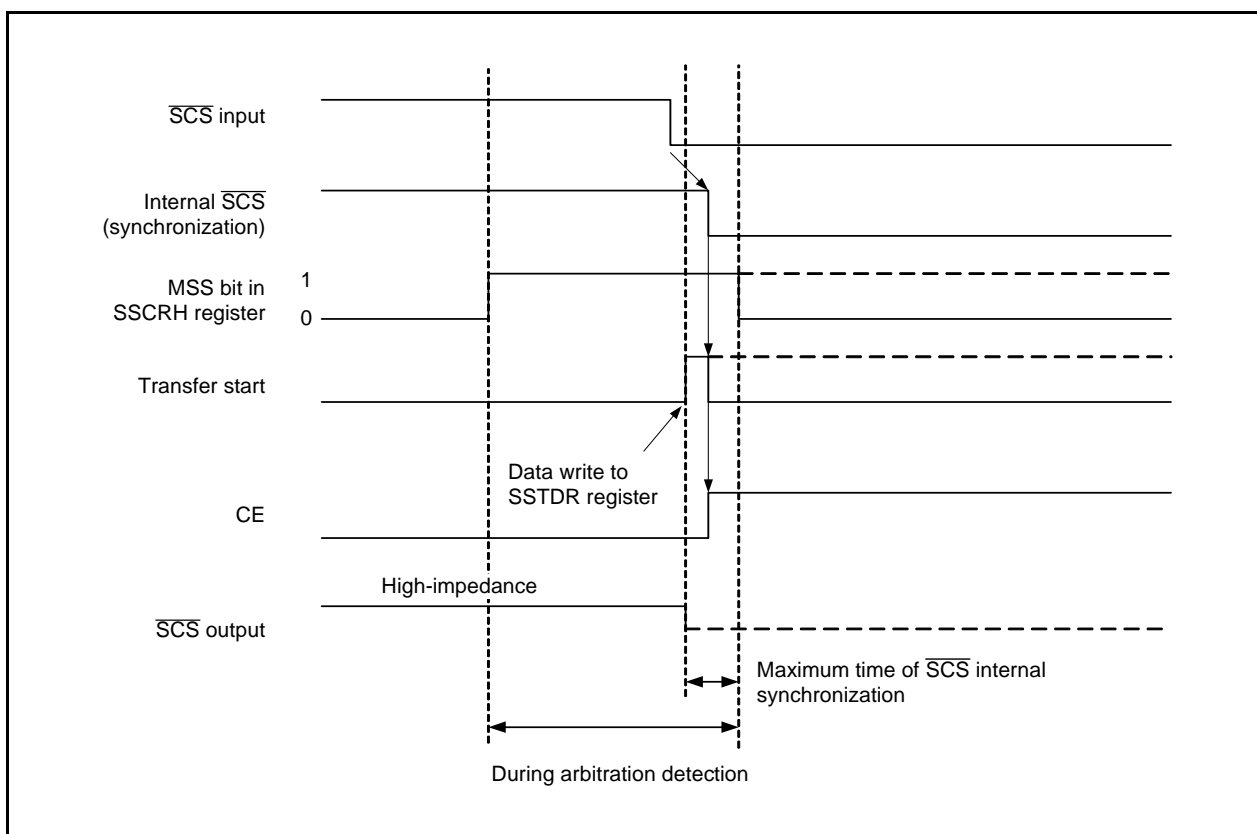


Figure 16.21 Arbitration Check Timing

16.2.8 Notes on Clock Synchronous Serial I/O with Chip Select

Set the IICSEL bit in the PMR register to 0 (select clock synchronous serial I/O with chip select function) to use the clock synchronous serial I/O with chip select function.

16.2.8.1 Accessing Registers Associated with Clock Synchronous Serial I/O with Chip Select

After waiting three instructions or more after writing to the registers associated with clock synchronous serial I/O with chip select (00B8h to 00BFh) or four cycles or more after writing to them, read the registers.

- An example of waiting three instructions or more

```

Program example      MOV.B      #00h,00BBh      ; Set the SSER register to 00h.
                    NOP
                    NOP
                    NOP
                    MOV.B      00BBh,R0L
  
```

- An example of waiting four cycles or more

```

Program example      BCLR      4,00BBh      : Disable transmission
                    JMP.B      NEXT
NEXT:
                    BSET      3,00BBh      : Enable reception
  
```

16.2.8.2 Selecting SSI Signal Pin

Set the SOOS bit in the SSMR2 register to 0 (CMOS output) in the following settings:

- SSUMS bit in SSMR2 register = 1 (4-wire bus communication mode)
- BIDE bit in SSMR2 register = 0 (standard mode)
- MSS bit in SSCRH register = 0 (operate as slave device)
- SSISEL bit in PMR register = 1 (use P1_6 pin for SSI01 pin)

Do not use the SSI01 pin with NMOS open drain output for the above settings.

16.3 I²C bus Interface

The I²C bus interface is the circuit that performs serial communication based on the data transfer format of the Philips I²C bus.

Table 16.5 lists the I²C bus interface Specifications, Figure 16.22 shows a Block Diagram of I²C bus interface, and Figure 16.23 shows the External Circuit Connection Example of Pins SCL and SDA. Figures 16.24 to 16.31 show the registers associated with the I²C bus interface.

* I²C bus is a trademark of Koninklijke Philips Electronics N. V.

Table 16.5 I²C bus interface Specifications

Item	Specification
Communication formats	<ul style="list-style-type: none"> • I²C bus format <ul style="list-style-type: none"> - Selectable as master/slave device - Continuous transmit/receive operation (Because the shift register, transmit data register, and receive data register are independent.) - Start/stop conditions are automatically generated in master mode. - Automatic loading of acknowledge bit during transmission - Bit synchronization/wait function (In master mode, the state of the SCL signal is monitored per bit and the timing is synchronized automatically. If the transfer is not possible yet, the SCL signal goes "L" and the interface stands by.) - Support for direct drive of pins SCL and SDA (NMOS open drain output) • Clock synchronous serial format <ul style="list-style-type: none"> - Continuous transmit/receive operation (Because the shift register, transmit data register, and receive data register are independent.)
I/O pins	SCL (I/O): Serial clock I/O pin SDA (I/O): Serial data I/O pin
Transfer clock	<ul style="list-style-type: none"> • When the MST bit in the ICCR1 register is set to 0. The external clock (input from the SCL pin) • When the MST bit in the ICCR1 register is set to 1. The internal clock selected by bits CKS0 to CKS3 in the ICCR1 register (output from the SCL pin)
Receive error detection	<ul style="list-style-type: none"> • Overrun error detection (clock synchronous serial format) Indicates an overrun error during reception. When the last bit of the next data item is received while the RDRF bit in the ICSR register is set to 1 (data in the ICDRR register), the AL bit is set to 1.
Interrupt sources	<ul style="list-style-type: none"> • I²C bus format 6 sources⁽¹⁾ Transmit data empty (including when slave address matches), transmit ends, receive data full (including when slave address matches), arbitration lost, NACK detection, and stop condition detection. • Clock synchronous serial format 4 sources⁽¹⁾ Transmit data empty, transmit ends, receive data full and overrun error
Select functions	<ul style="list-style-type: none"> • I²C bus format <ul style="list-style-type: none"> - Selectable output level for acknowledge signal during reception • Clock synchronous serial format <ul style="list-style-type: none"> - MSB-first or LSB-first selectable as data transfer direction

NOTE:

1. All sources use one interrupt vector for I²C bus interface.

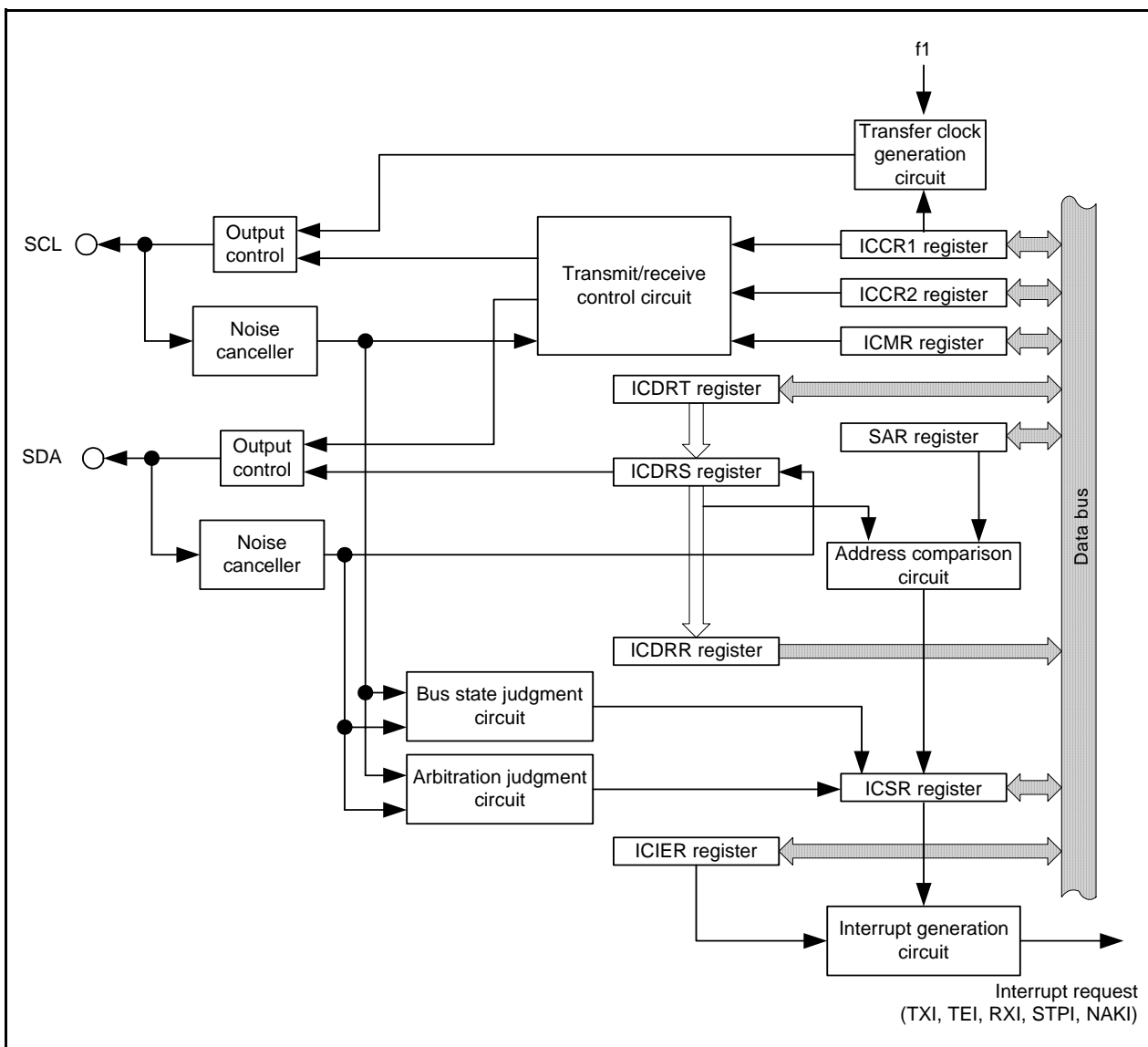


Figure 16.22 Block Diagram of I²C bus interface

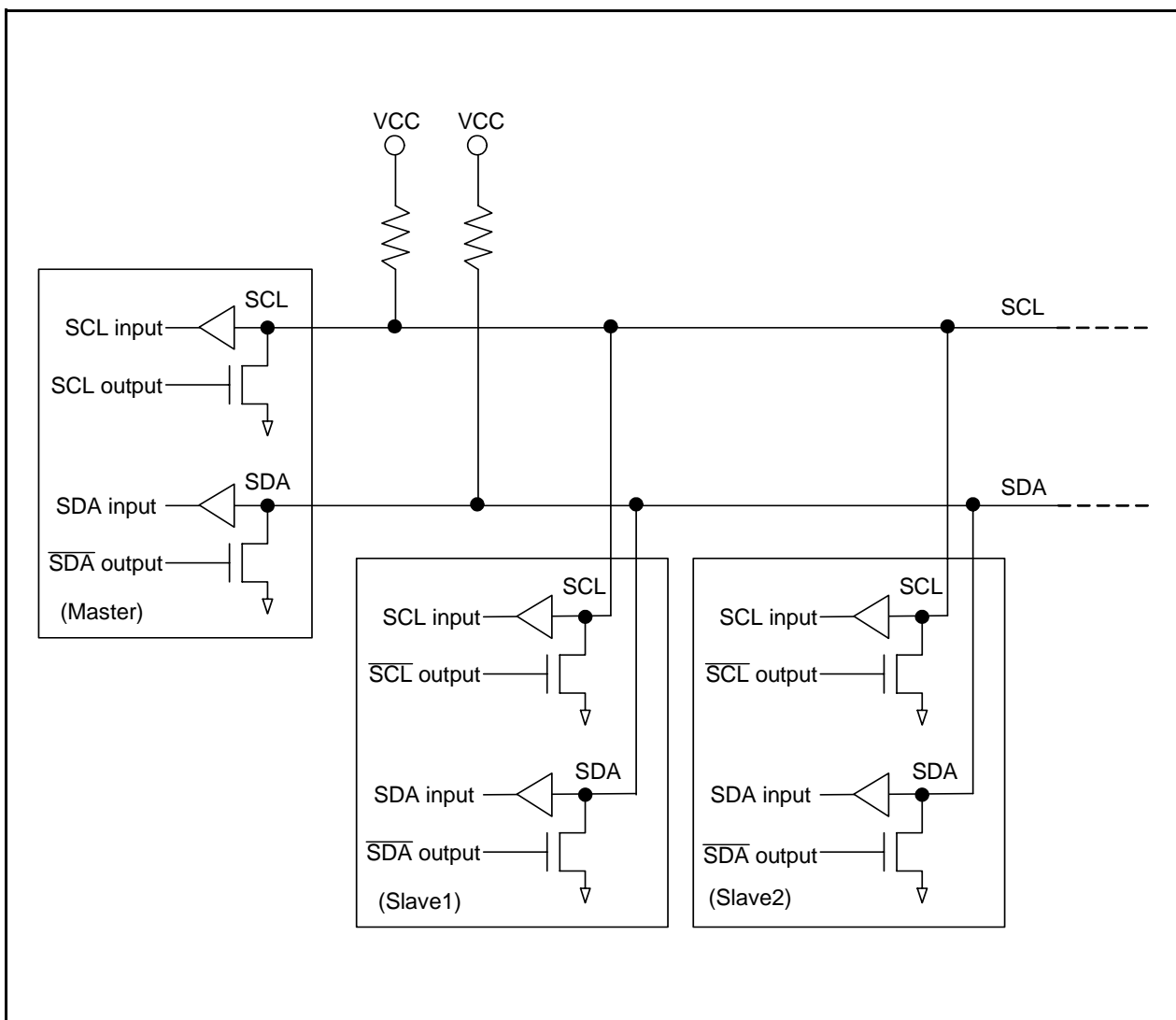


Figure 16.23 External Circuit Connection Example of Pins SCL and SDA

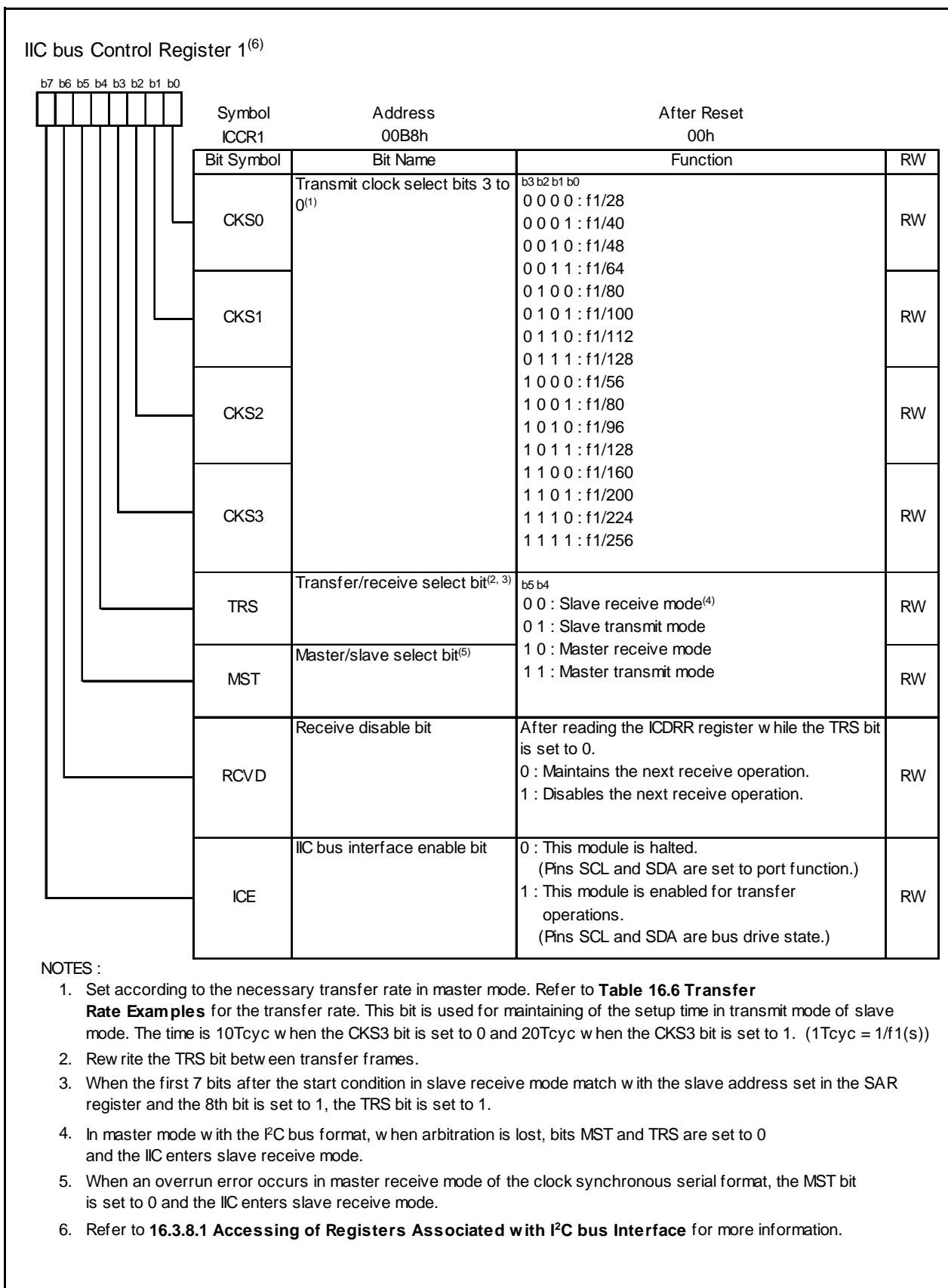


Figure 16.24 ICCR1 Register

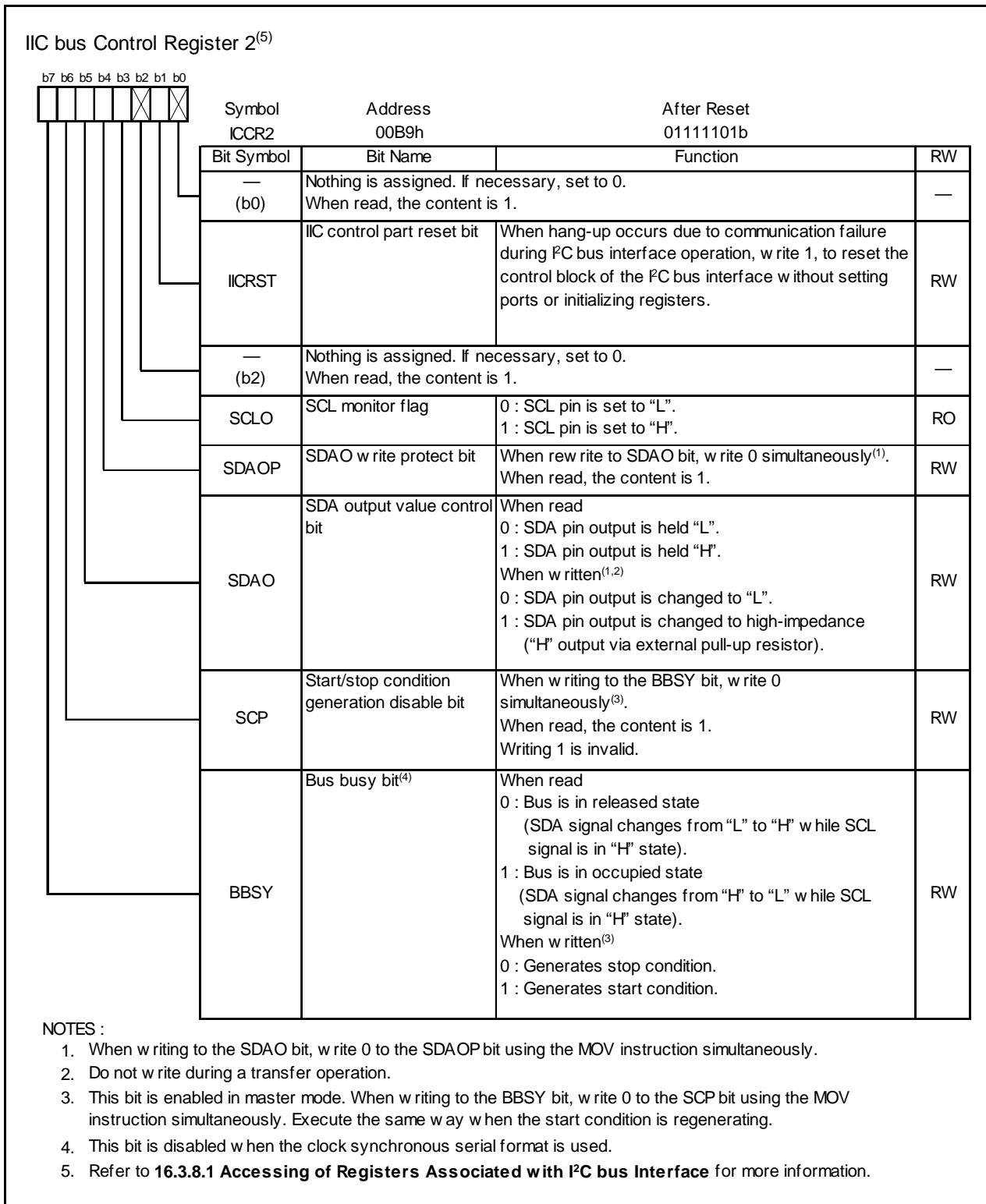


Figure 16.25 ICCR2 Register

IIC bus Mode Register ⁽⁷⁾				
b7 b6 b5 b4 b3 b2 b1 b0				
		Symbol ICMR	Address 00BAh	After Reset 00011000b
Bit Symbol	Bit Name	Function	RW	
BC0	Bit counter 2 to 0	I ² C bus format (remaining transfer bit count w hen read out and data bit count of next transfer w hen w ritten.) ^(1,2) b2 b1 b0 0 0 0 : 9 bits ⁽³⁾ 0 0 1 : 2 bits 0 1 0 : 3 bits 0 1 1 : 4 bits 1 0 0 : 5 bits 1 0 1 : 6 bits 1 1 0 : 7 bits 1 1 1 : 8 bits	RW	
			Clock synchronous serial format (w hen read, the remaining transfer bit count and w hen w ritten, 000b.) b2 b1 b0 0 0 0 : 8 bits 0 0 1 : 1 bit 0 1 0 : 2 bits 0 1 1 : 3 bits 1 0 0 : 4 bits 1 0 1 : 5 bits 1 1 0 : 6 bits 1 1 1 : 7 bits	RW
				BC w rite protect bit When rew riting bits BC0 to BC2, w rite 0 simultaneously ^(2,4) . When read, the content is 1.
— (b4)	Nothing is assigned. If necessary, set to 0. When read, the content is 1.		—	
— (b5)	Reserved bit	Set to 0.	RW	
WAIT	Wait insertion bit ⁽⁵⁾	0 : No wait (Transfer data and acknow ledge bit consecutively) 1 : Wait (After the clock falls for the final data bit, "L" period is extended for tw o transfer clocks cycles.)	RW	
MLS	MSB-first / LSB-first select bit	0 : Data transfer MSB-first ⁽⁶⁾ 1 : Data transfer LSB-first	RW	

NOTES :

1. Rew rite betw een transfer frames. When w riting values other than 000b, w rite w hen the SCL signal is "L".
2. When w riting to bits BC0 to BC2, w rite 0 to the BCWP bit using the MOV instruction.
3. After data including the acknow ledge bit is transferred, these bits are automatically set to 000b. When the start condition is detected, these bits are automatically set to 000b.
4. Do not rew rite w hen the clock synchronous serial format is used.
5. The setting value is enabled in master mode of the I²C bus format. It is disabled in slave mode of the I²C bus format or w hen the clock synchronous serial format is used.
6. Set to 0 w hen the I²C bus format is used.
7. Refer to **16.3.8.1 Accessing of Registers Associated with I²C bus Interface** for more information.

Figure 16.26 ICMR Register

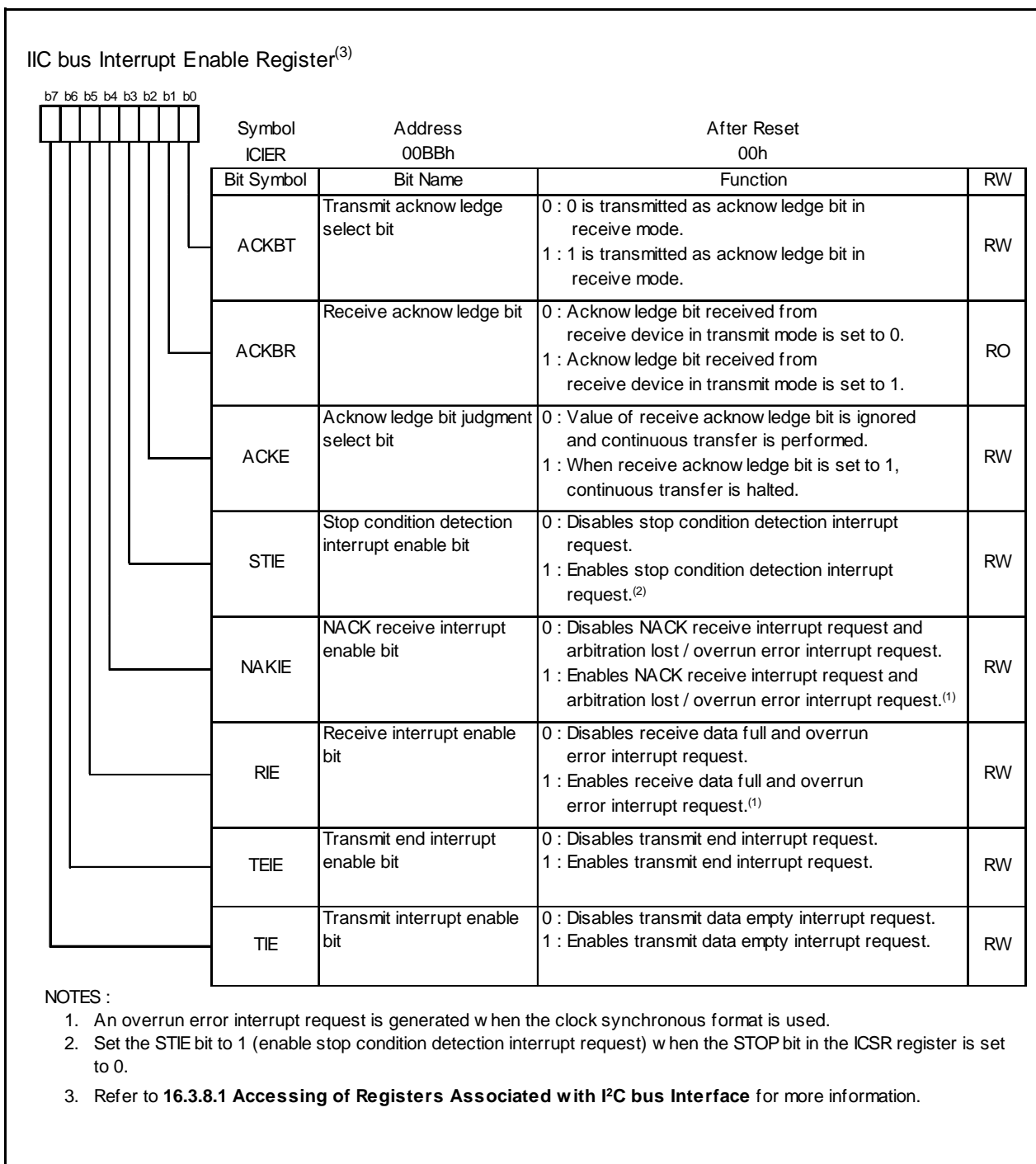


Figure 16.27 ICIER Register

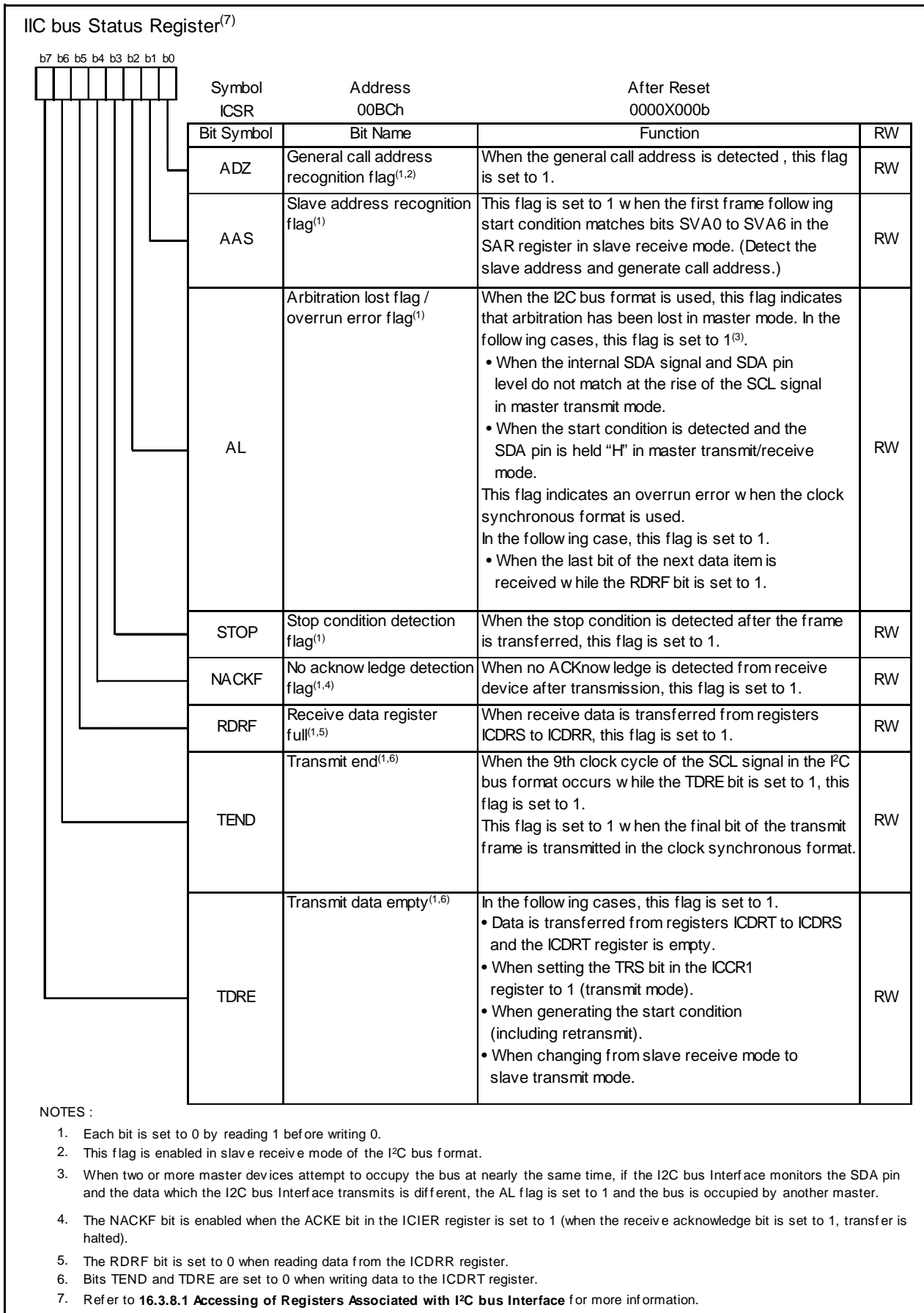


Figure 16.28 ICSR Register

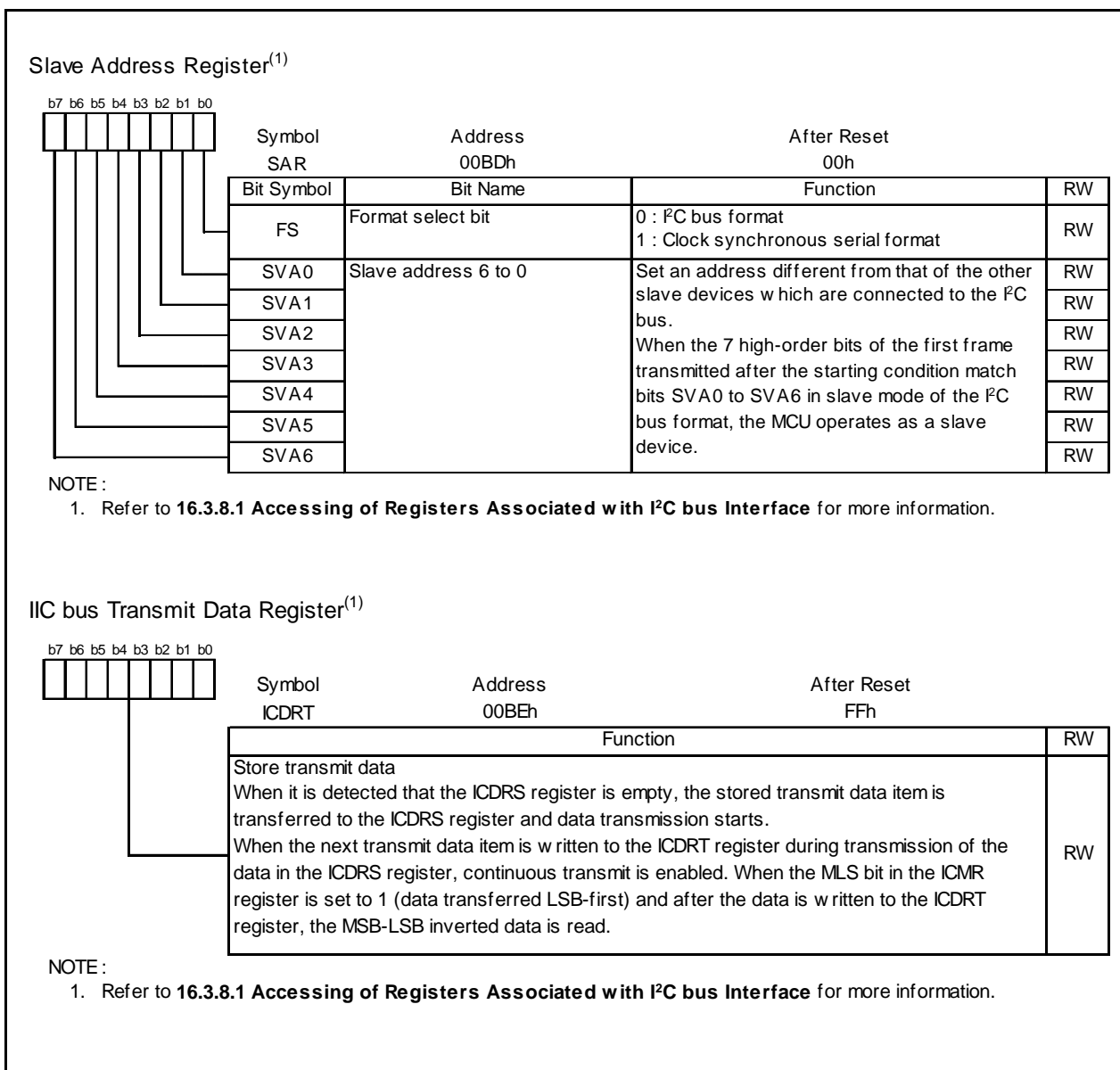


Figure 16.29 Registers SAR and ICDRT

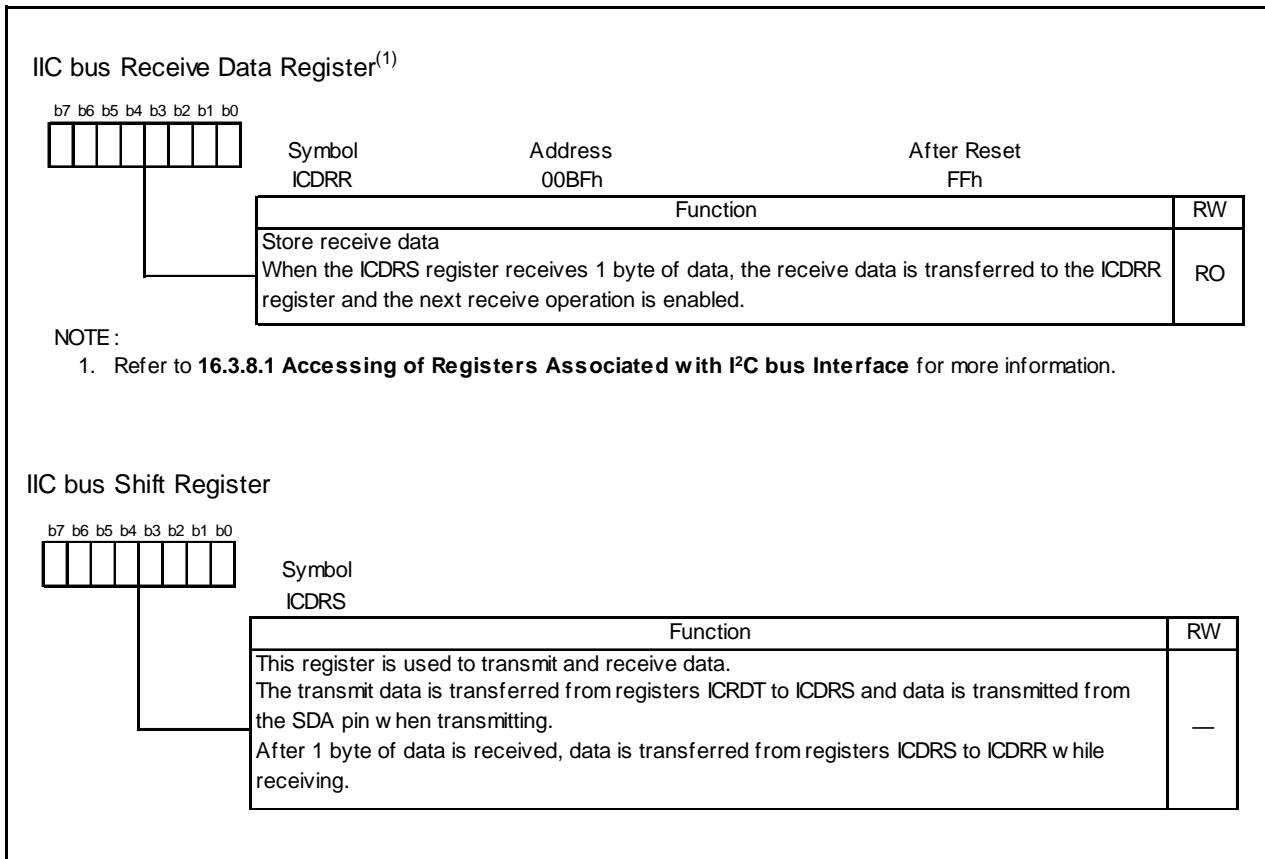


Figure 16.30 Registers ICDRR and ICDRS

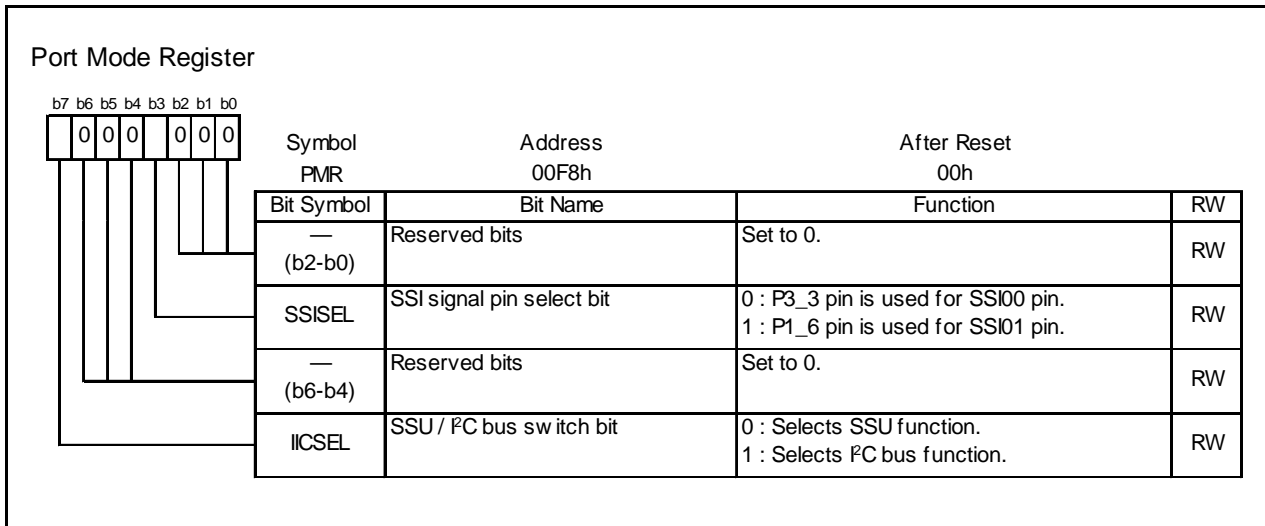


Figure 16.31 PMR Register

16.3.1 Transfer Clock

When the MST bit in the ICCR1 register is set to 0, the transfer clock is the external clock input from the SCL pin. When the MST bit in the ICCR1 register is set to 1, the transfer clock is the internal clock selected by bits CKS0 to CKS3 in the ICCR1 register and the transfer clock is output from the SCL pin.

Table 16.6 lists the Transfer Rate Examples.

Table 16.6 Transfer Rate Examples

ICCR1 Register				Transfer Clock	Transfer Rate				
CKS3	CKS2	CKS1	CKS0		f1 = 5 MHz	f1 = 8 MHz	f1 = 10 MHz	f1 = 16 MHz	f1 = 20 MHz
0	0	0	0	f1/28	179 kHz	286 kHz	357 kHz	571 kHz	714 kHz
			1	f1/40	125 kHz	200 kHz	250 kHz	400 kHz	500 kHz
		1	0	f1/48	104 kHz	167 kHz	208 kHz	333 kHz	417 kHz
			1	f1/64	78.1 kHz	125 kHz	156 kHz	250 kHz	313 kHz
	1	0	0	f1/80	62.5 kHz	100 kHz	125 kHz	200 kHz	250 kHz
			1	f1/100	50.0 kHz	80.0 kHz	100 kHz	160 kHz	200 kHz
		1	0	f1/112	44.6 kHz	71.4 kHz	89.3 kHz	143 kHz	179 kHz
			1	f1/128	39.1 kHz	62.5 kHz	78.1 kHz	125 kHz	156 kHz
1	0	0	0	f1/56	89.3 kHz	143 kHz	179 kHz	286 kHz	357 kHz
			1	f1/80	62.5 kHz	100 kHz	125 kHz	200 kHz	250 kHz
		1	0	f1/96	52.1 kHz	83.3 kHz	104 kHz	167 kHz	208 kHz
			1	f1/128	39.1 kHz	62.5 kHz	78.1 kHz	125 kHz	156 kHz
	1	0	0	f1/160	31.3 kHz	50.0 kHz	62.5 kHz	100 kHz	125 kHz
			1	f1/200	25.0 kHz	40.0 kHz	50.0 kHz	80.0 kHz	100 kHz
		1	0	f1/224	22.3 kHz	35.7 kHz	44.6 kHz	71.4 kHz	89.3 kHz
			1	f1/256	19.5 kHz	31.3 kHz	39.1 kHz	62.5 kHz	78.1 kHz

16.3.2 Interrupt Requests

The I²C bus interface has six interrupt requests when the I²C bus format is used and four when the clock synchronous serial format is used.

Table 16.7 lists the Interrupt Requests of I²C bus Interface.

Since these interrupt requests are allocated at the I²C bus interface interrupt vector table, determining the factor by each bit is necessary.

Table 16.7 Interrupt Requests of I²C bus Interface

Interrupt Request		Generation Condition	Format	
			I ² C bus	Clock Synchronous Serial
Transmit data empty	TXI	TIE = 1 and TDRE = 1	Enabled	Enabled
Transmit ends	TEI	TEIE = 1 and TEND = 1	Enabled	Enabled
Receive data full	RXI	RIE = 1 and RDRF = 1	Enabled	Enabled
Stop condition detection	STPI	STIE = 1 and STOP = 1	Enabled	Disabled
NACK detection	NAKI	NAKIE = 1 and AL = 1 (or NAKIE = 1 and NACKF = 1)	Enabled	Disabled
Arbitration lost/overrun error			Enabled	Enabled

STIE, NAKIE, RIE, TEIE, TIE: Bits in ICIER register

AL, STOP, NACKF, RDRF, TEND, TDRE: Bits in ICSR register

When the generation conditions listed in Table 16.7 are met, an I²C bus interface interrupt request is generated. Set the interrupt generation conditions to 0 by the I²C bus interface interrupt routine. However, bits TDRE and TEND are automatically set to 0 by writing transmit data to the ICDRT register and the RDRF bit is automatically set to 0 by reading the ICDRR register. When writing transmit data to the ICDRT register, the TDRE bit is set to 0. When data is transferred from registers ICDRT to ICDRS, the TDRE bit is set to 1 and by further setting the TDRE bit to 0, 1 additional byte may be transmitted.

Set the STIE bit to 1 (enable stop condition detection interrupt request) when the STOP bit is set to 0.

16.3.3 I²C bus Interface Mode

16.3.3.1 I²C bus Format

Setting the FS bit in the SAR register to 0 communicates in I²C bus format.

Figure 16.32 shows the I²C bus Format and Bus Timing. The 1st frame following the start condition consists of 8 bits.

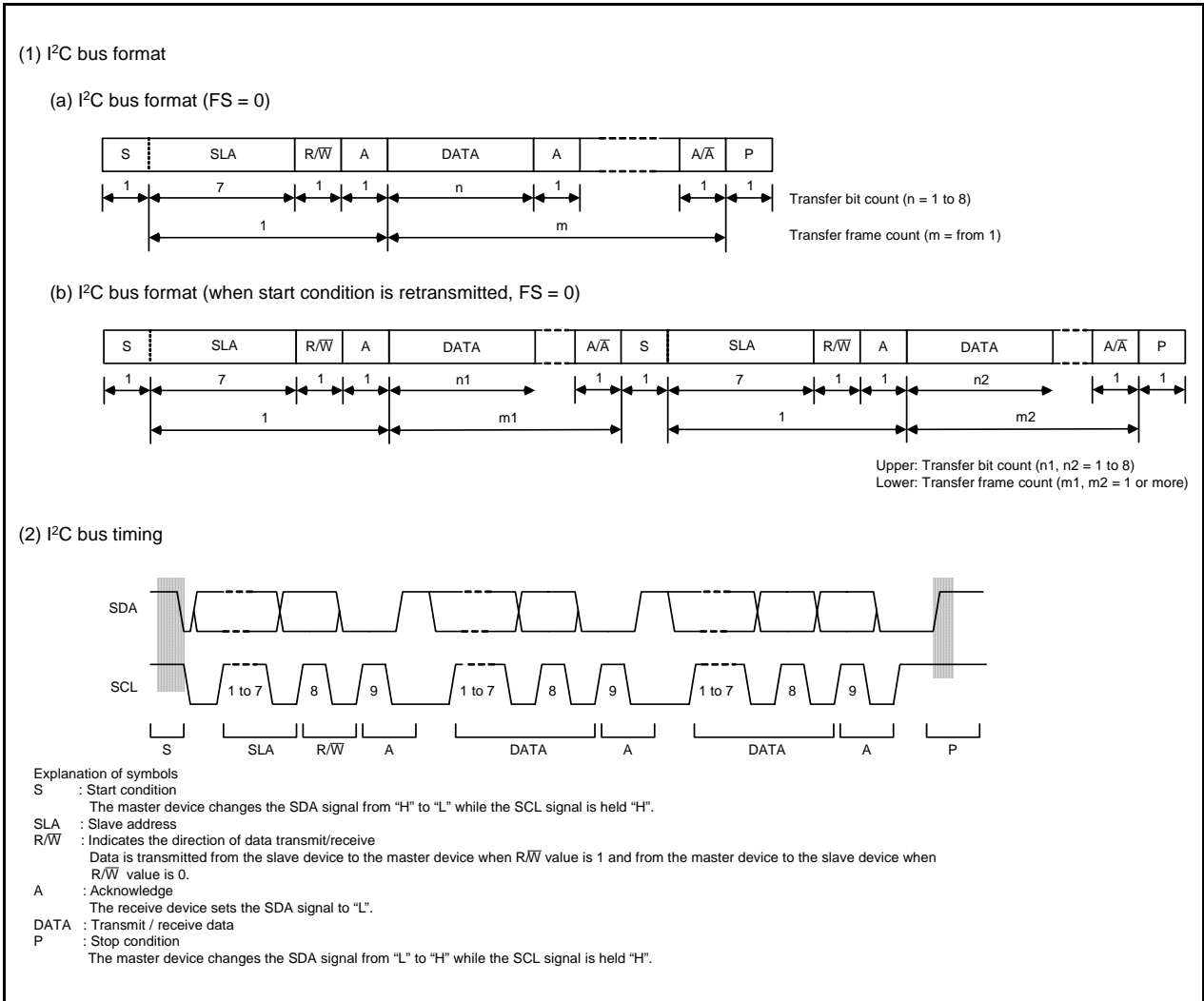


Figure 16.32 I²C bus Format and Bus Timing

16.3.3.2 Master Transmit Operation

In master transmit mode, the master device outputs the transmit clock and data, and the slave device returns an acknowledge signal.

Figures 16.33 and 16.34 show the Operating Timing in Master Transmit Mode (I²C bus Interface Mode).

The transmit procedure and operation in master transmit mode are as follows.

- (1) Set the STOP bit in the ICSR register to 0 to reset it. Then set the ICE bit in the ICCR1 register to 1 (transfer operation enabled). Then set bits WAIT and MLS in the ICMR register and set bits CKS0 to CKS3 in the ICCR1 register (initial setting).
- (2) Read the BBSY bit in the ICCR2 register to confirm that the bus is free. Set bits TRS and MST in the ICCR1 register to master transmit mode. The start condition is generated by writing 1 to the BBSY bit and 0 to the SCP bit by the MOV instruction.
- (3) After confirming that the TDRE bit in the ICSR register is set to 1 (data is transferred from registers ICDRT to ICDRS), write transmit data to the ICDRT register (data in which a slave address and R/\bar{W} are indicated in the 1st byte). At this time, the TDRE bit is automatically set to 0, data is transferred from registers ICDRT to ICDRS, and the TDRE bit is set to 1 again.
- (4) When transmission of 1 byte of data is completed while the TDRE bit is set to 1, the TEND bit in the ICSR register is set to 1 at the rise of the 9th transmit clock pulse. Read the ACKBR bit in the ICIER register, and confirm that the slave is selected. Write the 2nd byte of data to the ICDRT register. Since the slave device is not acknowledged when the ACKBR bit is set to 1, generate the stop condition. The stop condition is generated by the writing 0 to the BBSY bit and 0 to the SCP bit by the MOV instruction. The SCL signal is held "L" until data is available and the stop condition is generated.
- (5) Write the transmit data after the 2nd byte to the ICDRT register every time the TDRE bit is set to 1.
- (6) When writing the number of bytes to be transmitted to the ICDRT register, wait until the TEND bit is set to 1 while the TDRE bit is set to 1. Or wait for NACK (the NACKF bit in the ICSR register is set to 1) from the receive device while the ACKE bit in the ICIER register is set to 1 (when the receive acknowledge bit is set to 1, transfer is halted). Then generate the stop condition before setting bits TEND and NACKF to 0.
- (7) When the STOP bit in the ICSR register is set to 1, return to slave receive mode.

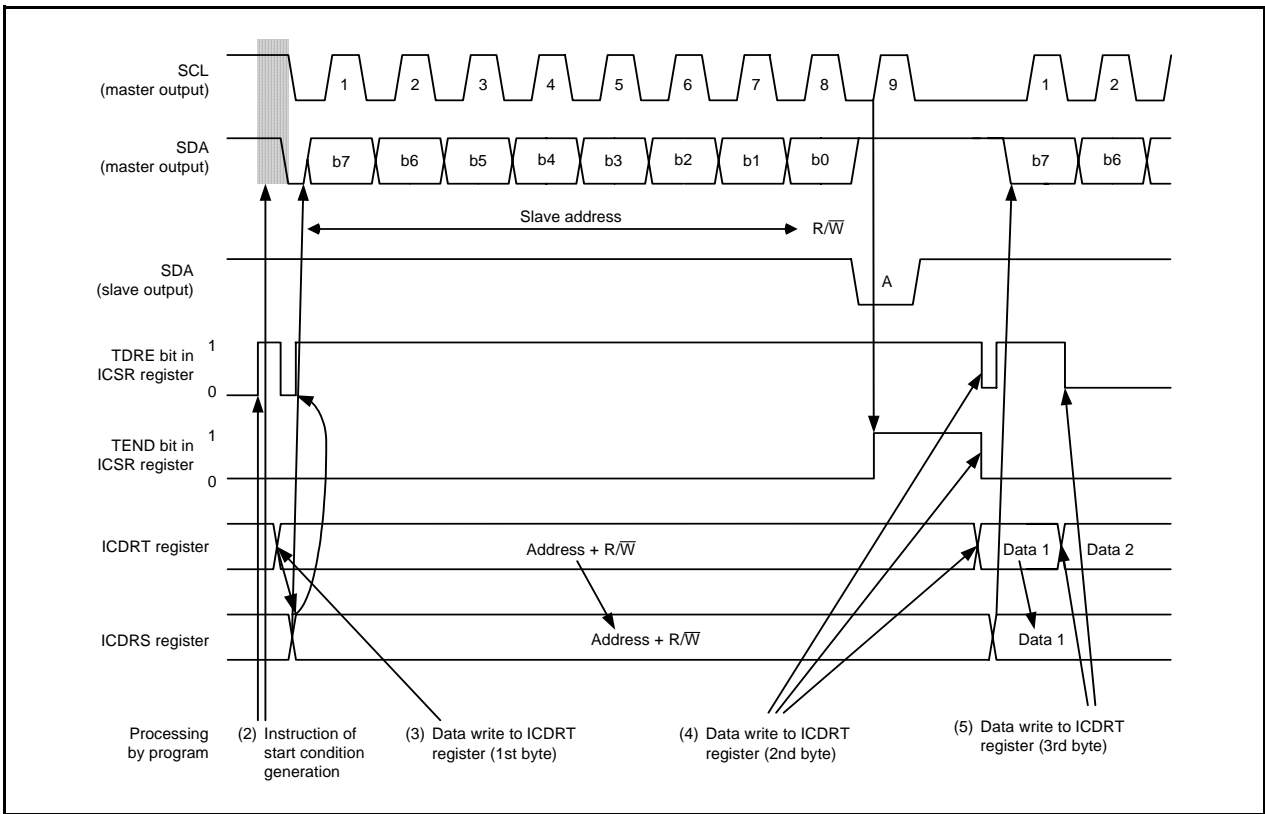


Figure 16.33 Operating Timing in Master Transmit Mode (I²C bus Interface Mode) (1)

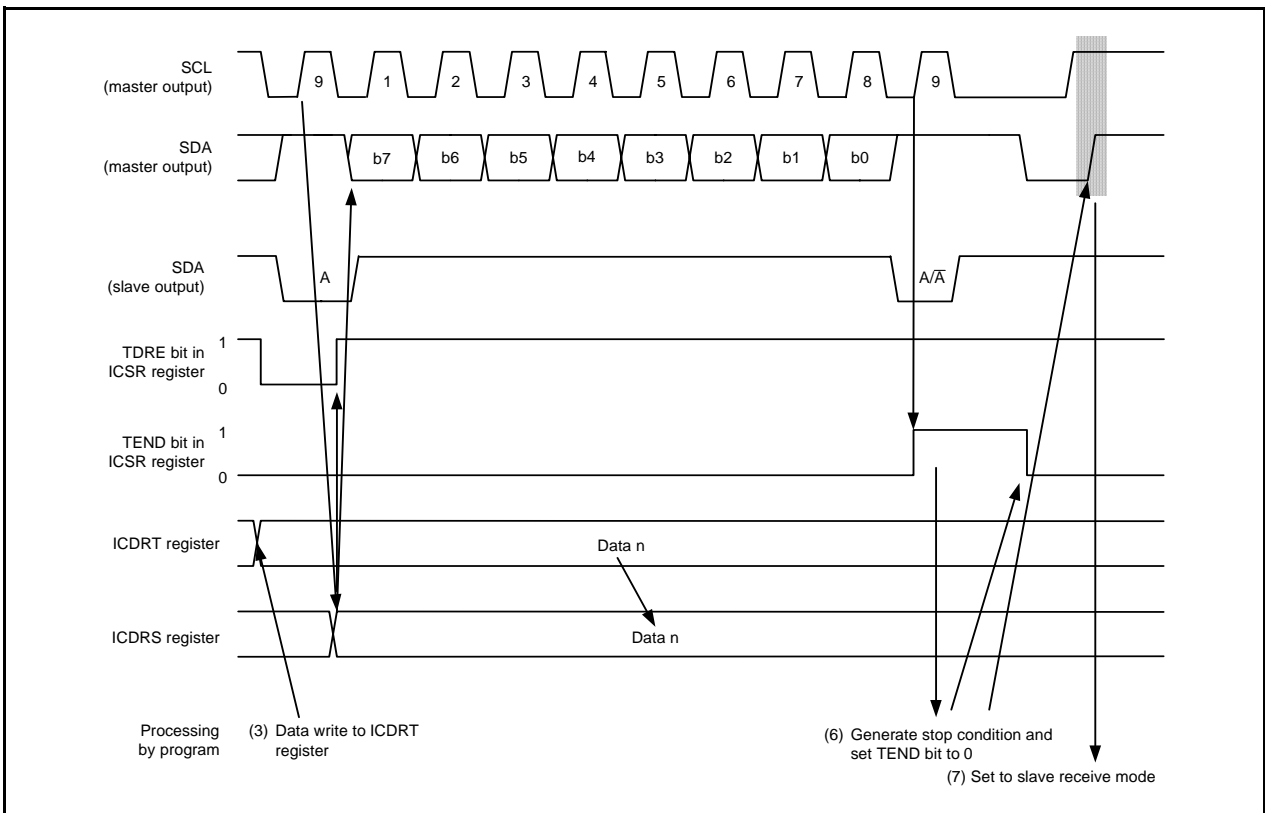


Figure 16.34 Operating Timing in Master Transmit Mode (I²C bus Interface Mode) (2)

16.3.3.3 Master Receive Operation

In master receive mode, the master device outputs the receive clock, receives data from the slave device, and returns an acknowledge signal.

Figures 16.35 and 16.36 show the Operating Timing in Master Receive Mode (I²C bus Interface Mode).

The receive procedure and operation in master receive mode are shown below.

- (1) After setting the TEND bit in the ICSR register to 0, switch from master transmit mode to master receive mode by setting the TRS bit in the ICCR1 register to 0. Also, set the TDRE bit in the ICSR register to 0.
- (2) When performing the dummy read of the ICDRR register and starting the receive operation, the receive clock is output in synchronization with the internal clock and data is received. The master device outputs the level set by the ACKBT bit in the ICIER register to the SDA pin at the 9th clock cycle of the receive clock.
- (3) The 1-frame data receive is completed and the RDRF bit in the ICSR register is set to 1 at the rise of the 9th clock cycle. At this time, when reading the ICDRR register, the received data can be read and the RDRF bit is set to 0 simultaneously.
- (4) Continuous receive operation is enabled by reading the ICDRR register every time the RDRF bit is set to 1. If the 8th clock cycle falls after the ICDRR register is read by another process while the RDRF bit is set to 1, the SCL signal is fixed "L" until the ICDRR register is read.
- (5) If the next frame is the last receive frame and the RCVD bit in the ICCR1 register is set to 1 (disables the next receive operation) before reading the ICDRR register, stop condition generation is enabled after the next receive operation.
- (6) When the RDRF bit is set to 1 at the rise of the 9th clock cycle of the receive clock, generate the stop condition.
- (7) When the STOP bit in the ICSR register is set to 1, read the ICDRR register and set the RCVD bit to 0 (maintain the following receive operation).
- (8) Return to slave receive mode.

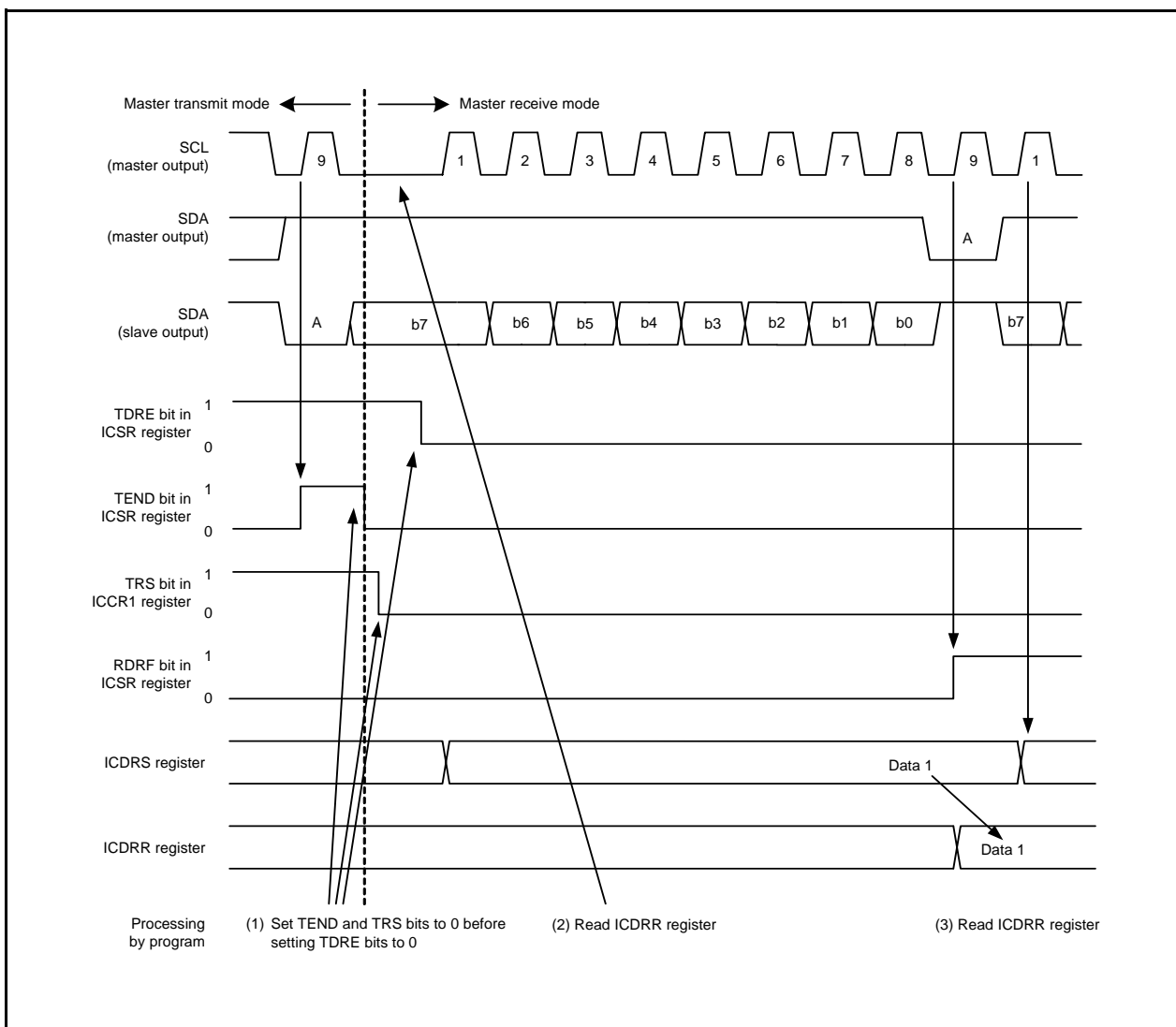


Figure 16.35 Operating Timing in Master Receive Mode (I²C bus Interface Mode) (1)

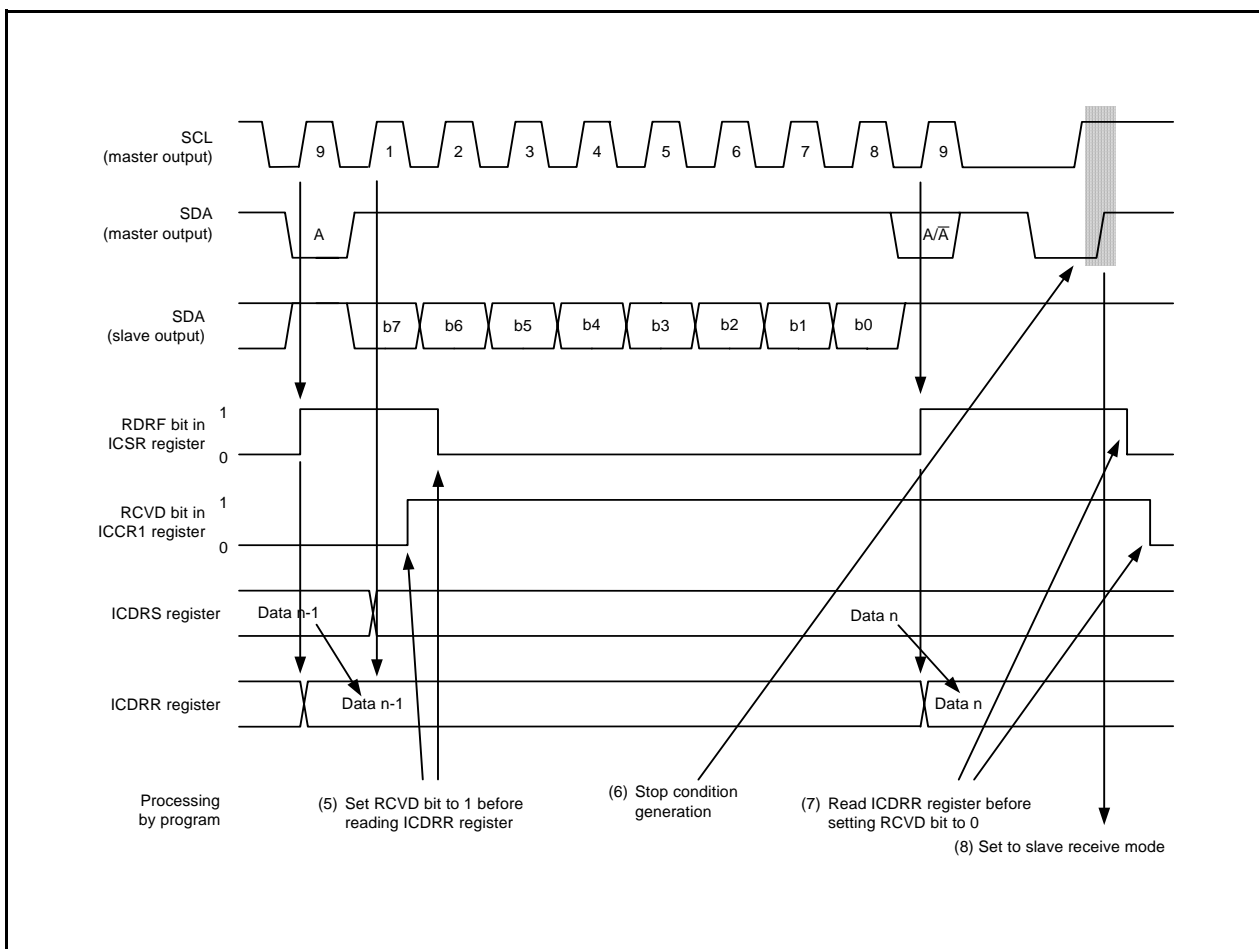


Figure 16.36 Operating Timing in Master Receive Mode (I2C bus Interface Mode) (2)

16.3.3.4 Slave Transmit Operation

In slave transmit mode, the slave device outputs the transmit data while the master device outputs the receive clock and returns an acknowledge signal.

Figures 16.37 and 16.38 show the Operating Timing in Slave Transmit Mode (I²C bus Interface Mode).

The transmit procedure and operation in slave transmit mode are as follows.

- (1) Set the ICE bit in the ICCR1 register to 1 (transfer operation enabled). Set bits WAIT and MLS in the ICMR register and bits CKS0 to CKS3 in the ICCR1 register (initial setting). Set bits TRS and MST in the ICCR1 register to 0 and wait until the slave address matches in slave receive mode.
- (2) When the slave address matches at the 1st frame after detecting the start condition, the slave device outputs the level set by the ACKBT bit in the ICIER register to the SDA pin at the rise of the 9th clock cycle. At this time, if the 8th bit of data (R/\overline{W}) is 1, bits TRS and TDRE in the ICSR register are set to 1, and the mode is switched to slave transmit mode automatically. Continuous transmission is enabled by writing transmit data to the ICDRT register every time the TDRE bit is set to 1.
- (3) When the TDRE bit in the ICDRT register is set to 1 after writing the last transmit data to the ICDRT register, wait until the TEND bit in the ICSR register is set to 1 while the TDRE bit is set to 1. When the TEND bit is set to 1, set the TEND bit to 0.
- (4) The SCL signal is released by setting the TRS bit to 0 and performing a dummy read of the ICDRR register to end the process.
- (5) Set the TDRE bit to 0.

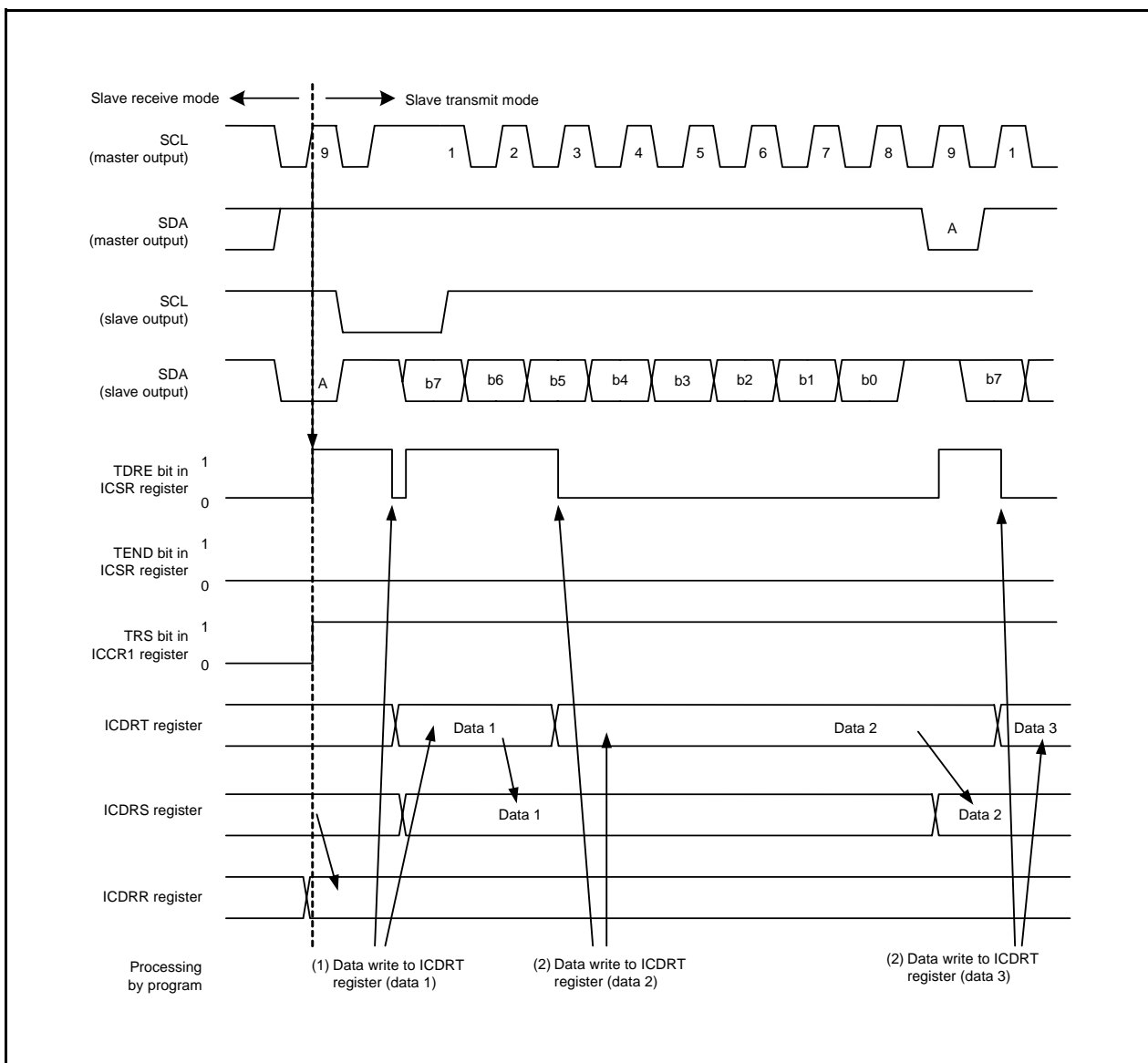


Figure 16.37 Operating Timing in Slave Transmit Mode (I²C bus Interface Mode) (1)

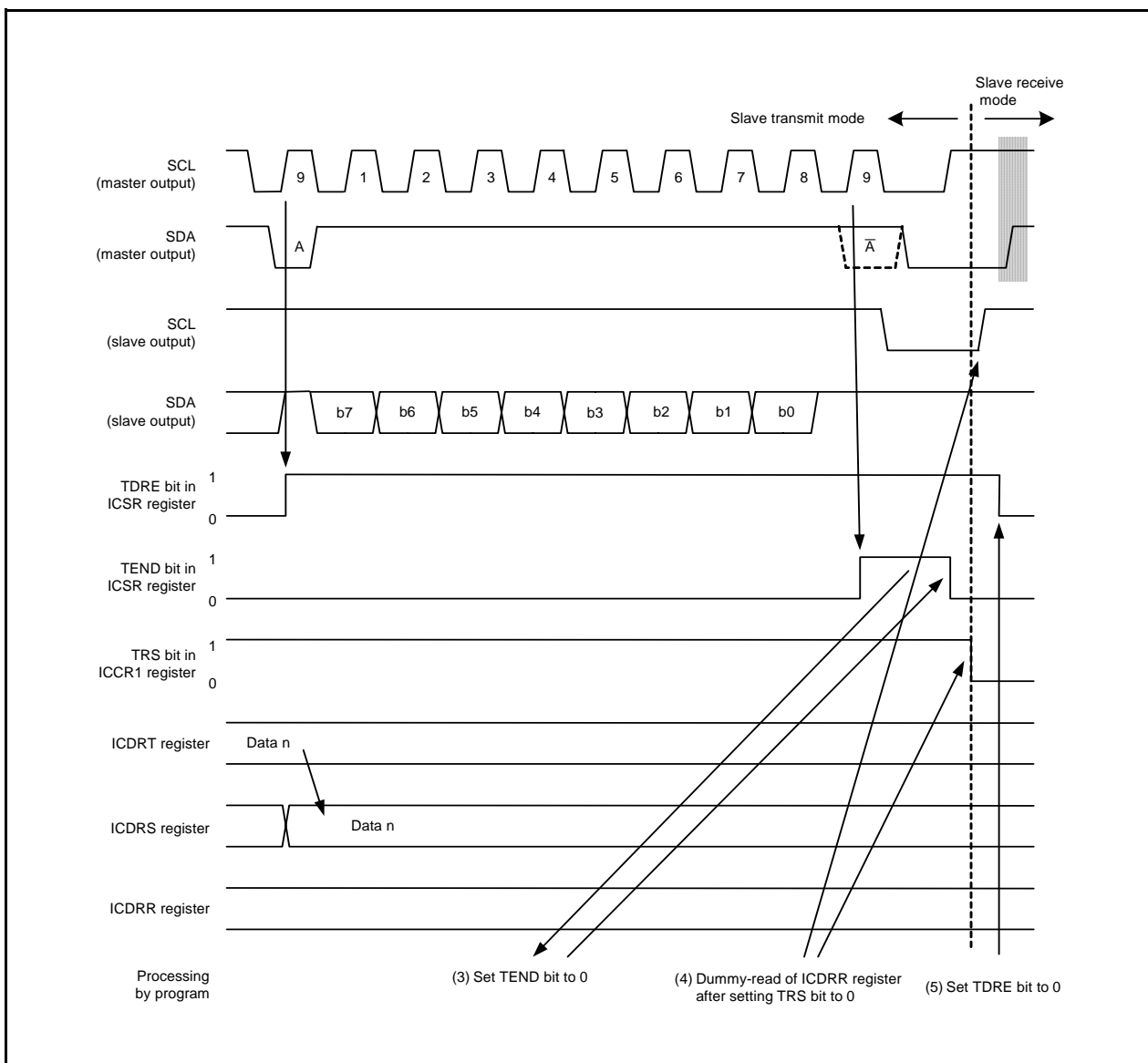


Figure 16.38 Operating Timing in Slave Transmit Mode (I²C bus Interface Mode) (2)

16.3.3.5 Slave Receive Operation

In slave receive mode, the master device outputs the transmit clock and data, and the slave device returns an acknowledge signal.

Figures 16.39 and 16.40 show the Operating Timing in Slave Receive Mode (I²C bus Interface Mode).

The receive procedure and operation in slave receive mode are as follows.

- (1) Set the ICE bit in the ICCR1 register to 1 (transfer operation enabled). Set bits WAIT and MLS in the ICMR register and bits CKS0 to CKS3 in the ICCR1 register (initial setting). Set bits TRS and MST in the ICCR1 register to 0 and wait until the slave address matches in slave receive mode.
- (2) When the slave address matches at the 1st frame after detecting the start condition, the slave device outputs the level set in the ACKBT bit in the ICIER register to the SDA pin at the rise of the 9th clock cycle. Since the RDRF bit in the ICSR register is set to 1 simultaneously, perform the dummy-read (the read data is unnecessary because it indicates the slave address and $\overline{R/\overline{W}}$).
- (3) Read the ICDRR register every time the RDRF bit is set to 1. If the 8th clock cycle falls while the RDRF bit is set to 1, the SCL signal is fixed "L" until the ICDRR register is read. The setting change of the acknowledge signal returned to the master device before reading the ICDRR register takes affect from the following transfer frame.
- (4) Reading the last byte is performed by reading the ICDRR register in like manner.

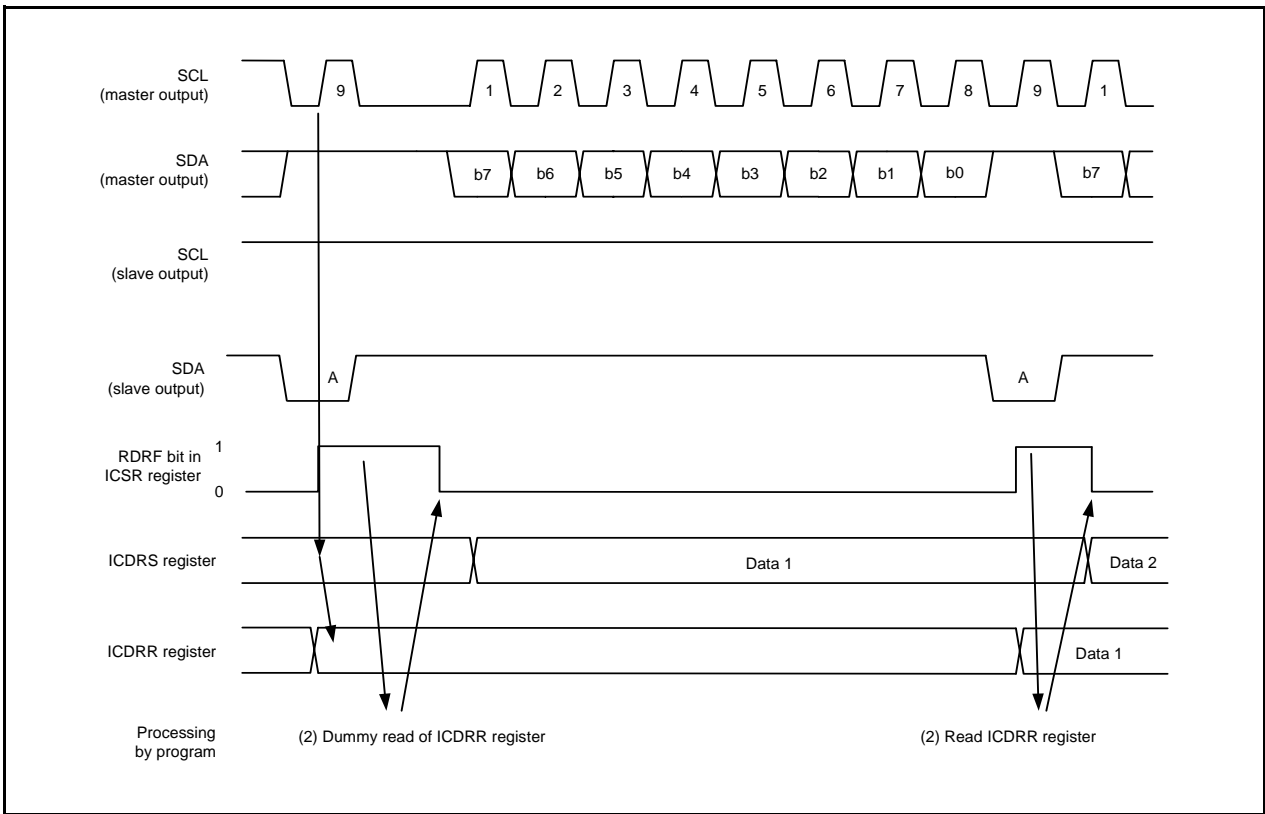


Figure 16.39 Operating Timing in Slave Receive Mode (I²C bus Interface Mode) (1)

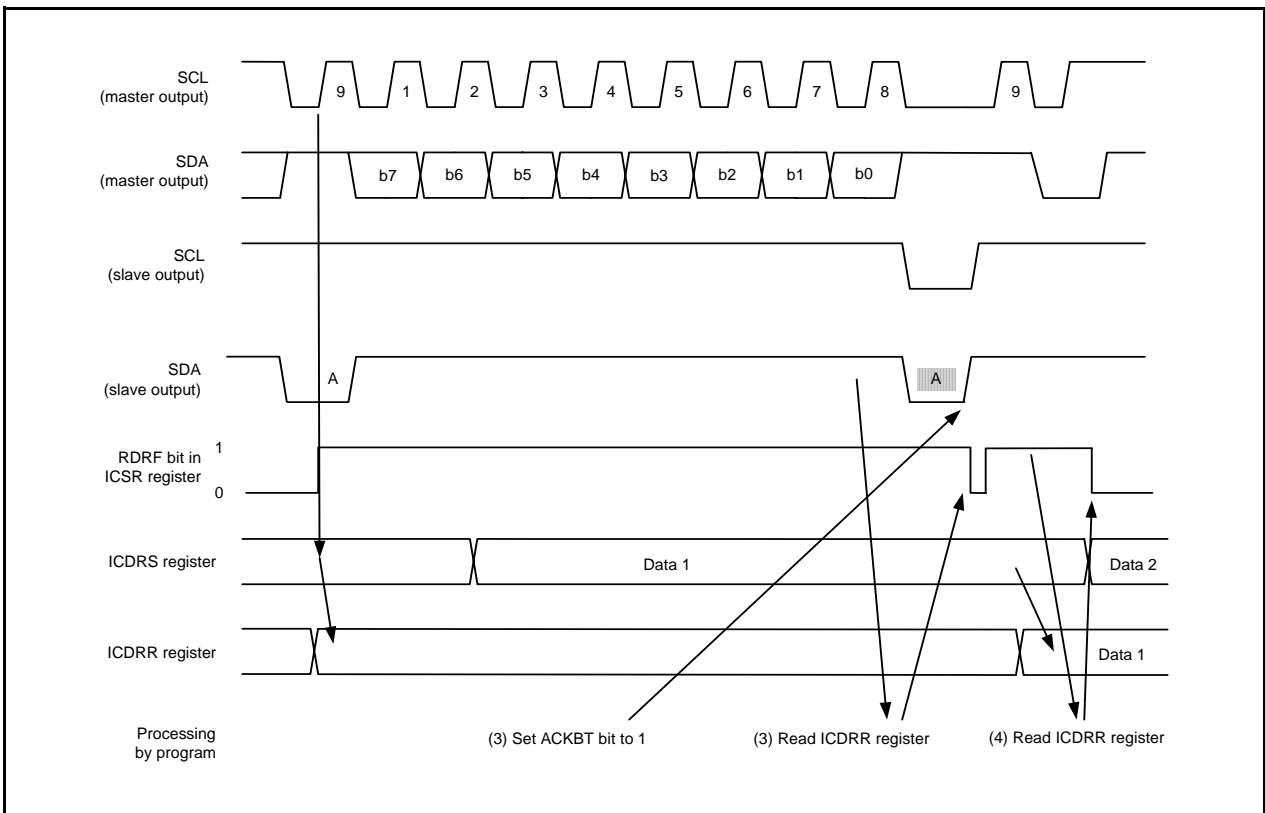


Figure 16.40 Operating Timing in Slave Receive Mode (I²C bus Interface Mode) (2)

16.3.4 Clock Synchronous Serial Mode

16.3.4.1 Clock Synchronous Serial Format

Set the FS bit in the SAR register to 1 to use the clock synchronous serial format for communication.

Figure 16.41 shows the Transfer Format of Clock Synchronous Serial Format.

When the MST bit in the ICCR1 register is set to 1, the transfer clock is output from the SCL pin, and when the MST bit is set to 0, the external clock is input.

The transfer data is output between successive falling edges of the SCL clock, and data is determined at the rising edge of the SCL clock. MSB-first or LSB-first can be selected as the order of the data transfer by setting the MLS bit in the ICMR register. The SDA output level can be changed by the SDAO bit in the ICCR2 register during transfer standby.

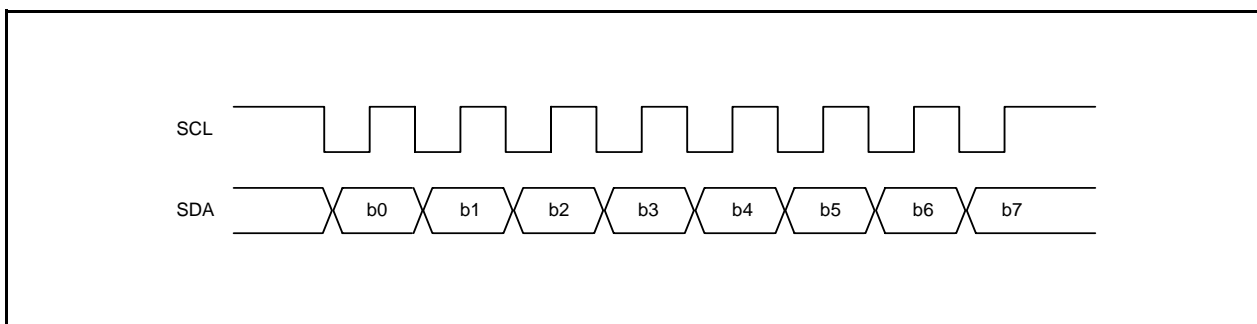


Figure 16.41 Transfer Format of Clock Synchronous Serial Format

16.3.4.2 Transmit Operation

In transmit mode, transmit data is output from the SDA pin in synchronization with the falling edge of the transfer clock. The transfer clock is output when the MST bit in the ICCR1 register is set to 1 and input when the MST bit is set to 0.

Figure 16.42 shows the Operating Timing in Transmit Mode (Clock Synchronous Serial Mode).

The transmit procedure and operation in transmit mode are as follows.

- (1) Set the ICE bit in the ICCR1 register to 1 (transfer operation enabled). Set bits CKS0 to CKS3 in the ICCR1 register and set the MST bit (initial setting).
- (2) The TDRE bit in the ICSR register is set to 1 by selecting transmit mode after setting the TRS bit in the ICCR1 register to 1.
- (3) Data is transferred from registers ICDRT to ICDRS and the TDRE bit is automatically set to 1 by writing transmit data to the ICDRT register after confirming that the TDRE bit is set to 1. Continuous transmission is enabled by writing data to the ICDRT register every time the TDRE bit is set to 1. When switching from transmit to receive mode, set the TRS bit to 0 while the TDRE bit is set to 1.

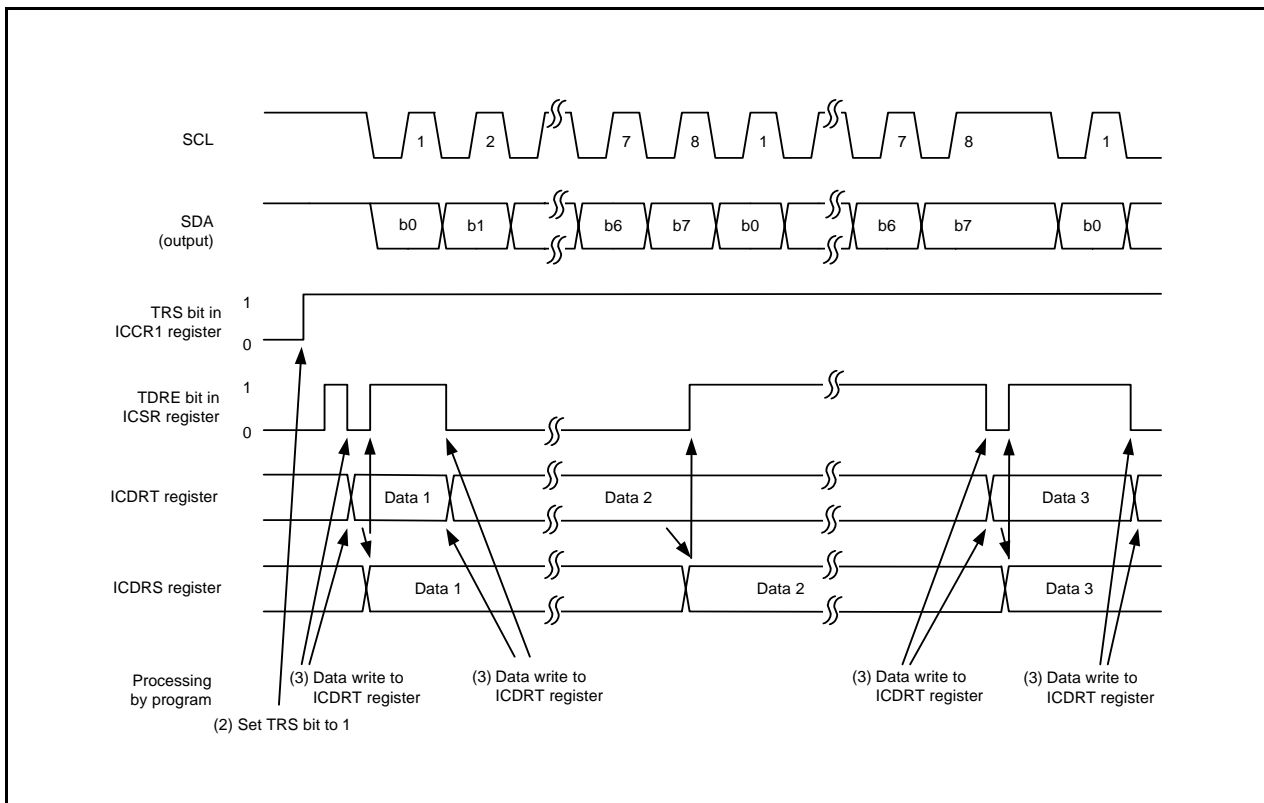


Figure 16.42 Operating Timing in Transmit Mode (Clock Synchronous Serial Mode)

16.3.4.3 Receive Operation

In receive mode, data is latched at the rising edge of the transfer clock. The transfer clock is output when the MST bit in the ICCR1 register is set to 1 and input when the MST bit is set to 0.

Figure 16.43 shows the Operating Timing in Receive Mode (Clock Synchronous Serial Mode).

The receive procedure and operation in receive mode are as follows.

- (1) Set the ICE bit in the ICCR1 register to 1 (transfer operation enabled). Set bits CKS0 to CKS3 in the ICCR1 register and set the MST bit (initial setting).
- (2) The output of the receive clock starts when the MST bit is set to 1 while the transfer clock is being output.
- (3) Data is transferred from registers ICDRS to ICDRR and the RDRF bit in the ICSR register is set to 1, when the receive operation is completed. Since the next byte of data is enabled when the MST bit is set to 1, the clock is output continuously. Continuous reception is enabled by reading the ICDRR register every time the RDRF bit is set to 1. An overrun is detected at the rise of the 8th clock cycle while the RDRF bit is set to 1, and the AL bit in the ICSR register is set to 1. At this time, the last receive data is retained in the ICDRR register.
- (4) When the MST bit is set to 1, set the RCVD bit in the ICCR1 register to 1 (disables the next receive operation) and read the ICDRR register. The SCL signal is fixed “H” after reception of the following byte of data is completed.

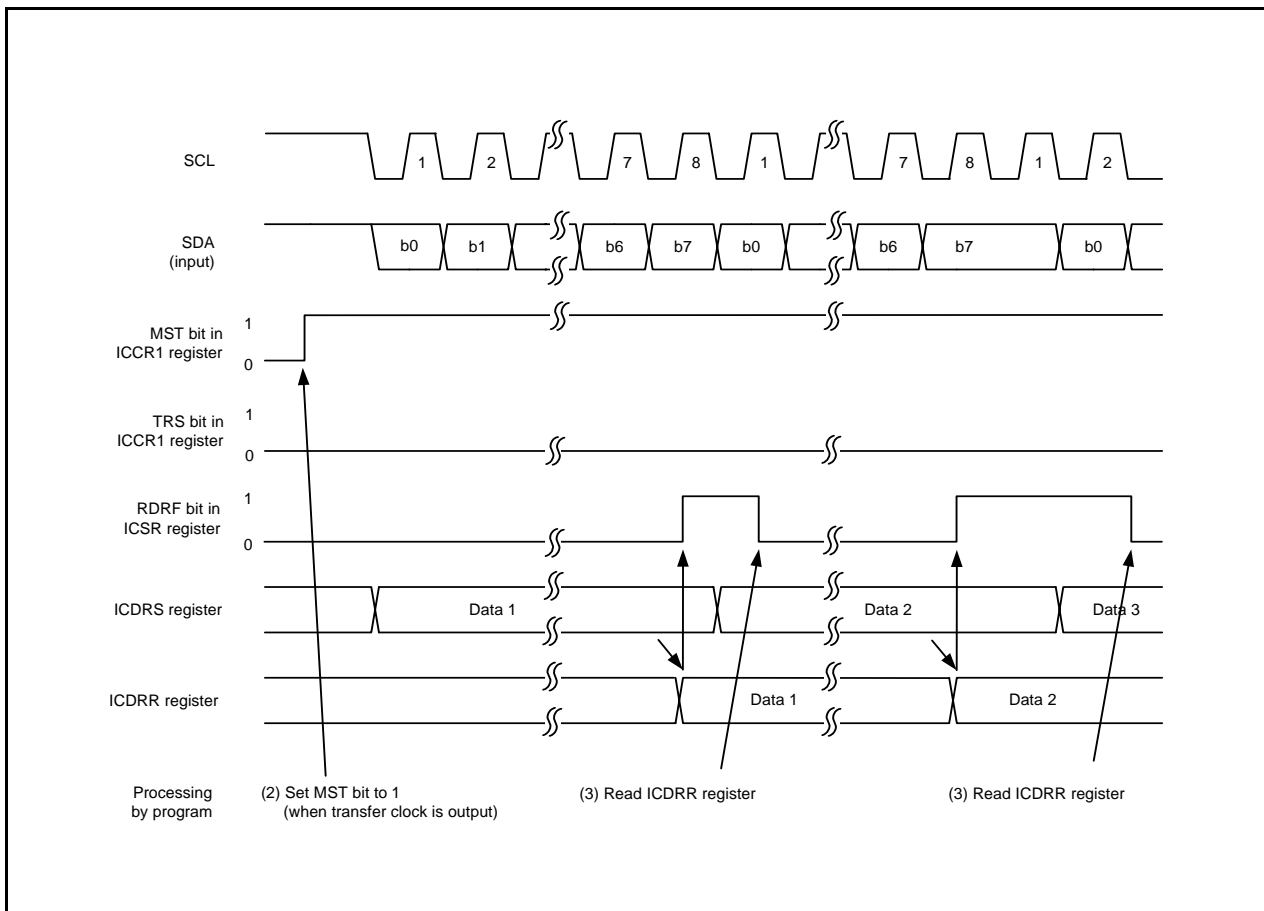


Figure 16.43 Operating Timing in Receive Mode (Clock Synchronous Serial Mode)

16.3.5 Noise Canceller

The states of pins SCL and SDA are routed through the noise canceller before being latched internally. Figure 16.44 shows a Block Diagram of Noise Canceller.

The noise canceller consists of two cascaded latch and match detector circuits. When the SCL pin input signal (or SDA pin input signal) is sampled on f1 and two latch outputs match, the level is passed forward to the next circuit. When they do not match, the former value is retained.

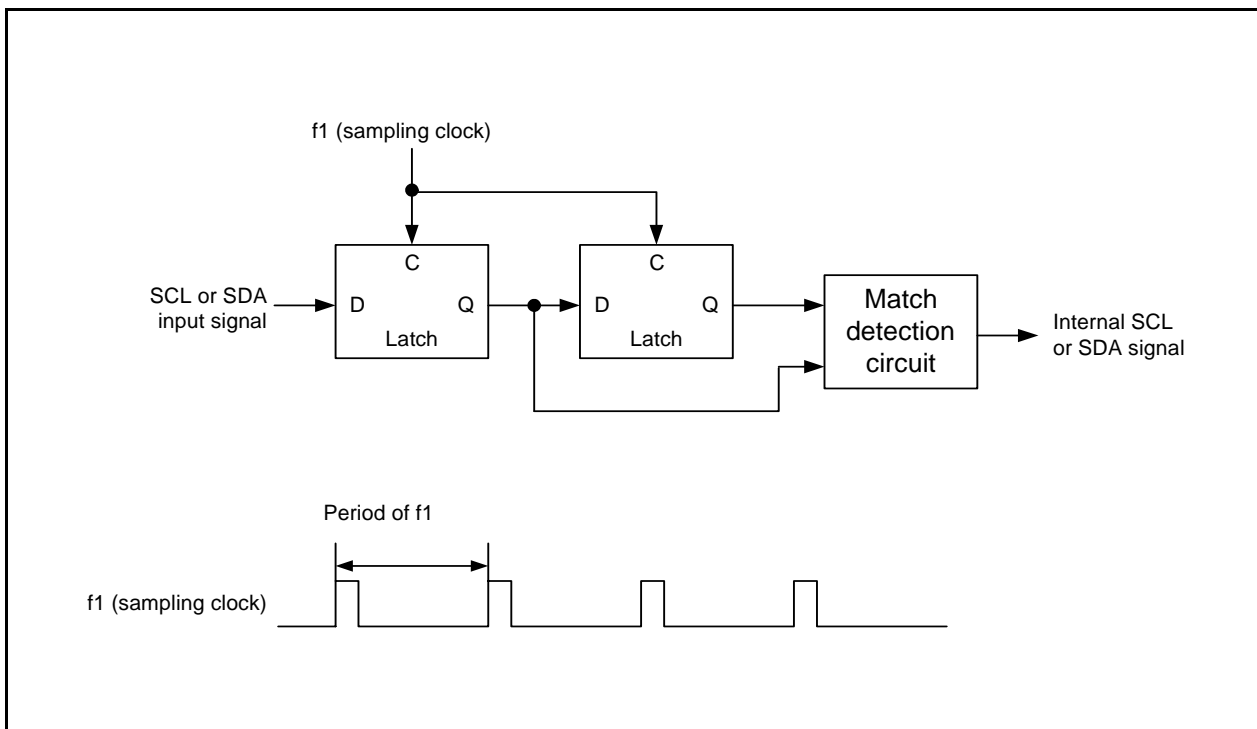


Figure 16.44 Block Diagram of Noise Canceller

16.3.6 Bit Synchronization Circuit

When setting the I²C bus interface to master mode, the high-level period may become shorter in the following two cases:

- If the SCL signal is driven L level by a slave device
- If the rise speed of the SCL signal is reduced by a load (load capacity or pull-up resistor) on the SCL line.

Therefore, the SCL signal is monitored and communication is synchronized bit by bit.

Figure 16.45 shows the Timing of Bit Synchronization Circuit and Table 16.8 lists the Time between Changing SCL Signal from “L” Output to High-Impedance and Monitoring of SCL Signal.

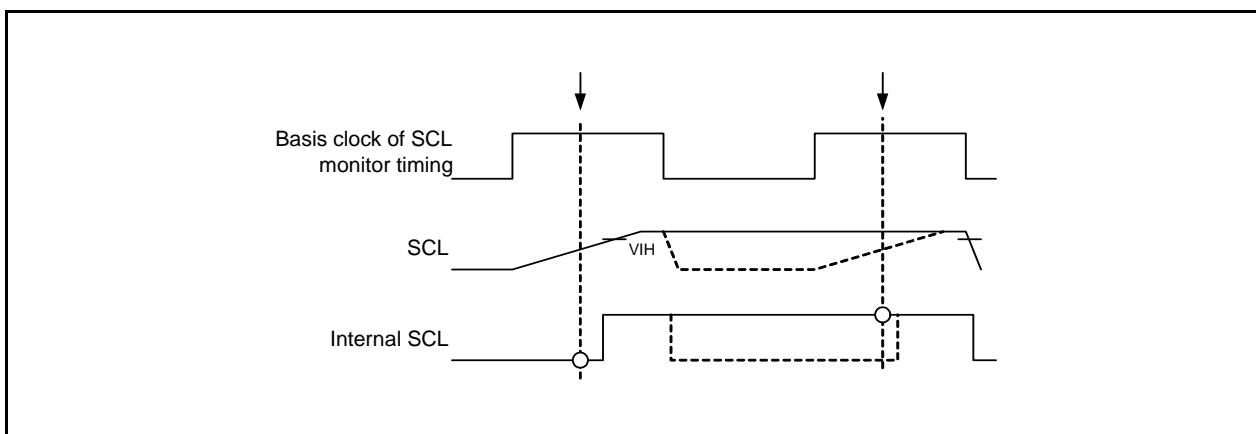


Figure 16.45 Timing of Bit Synchronization Circuit

Table 16.8 Time between Changing SCL Signal from “L” Output to High-Impedance and Monitoring of SCL Signal

ICCR1 Register		Time for Monitoring SCL
CKS3	CKS2	
0	0	7.5Tcyc
	1	19.5Tcyc
1	0	17.5Tcyc
	1	41.5Tcyc

1Tcyc = 1/f1(s)

16.3.7 Examples of Register Setting

Figures 16.46 to 16.49 show Examples of Register Setting When Using I²C bus interface.

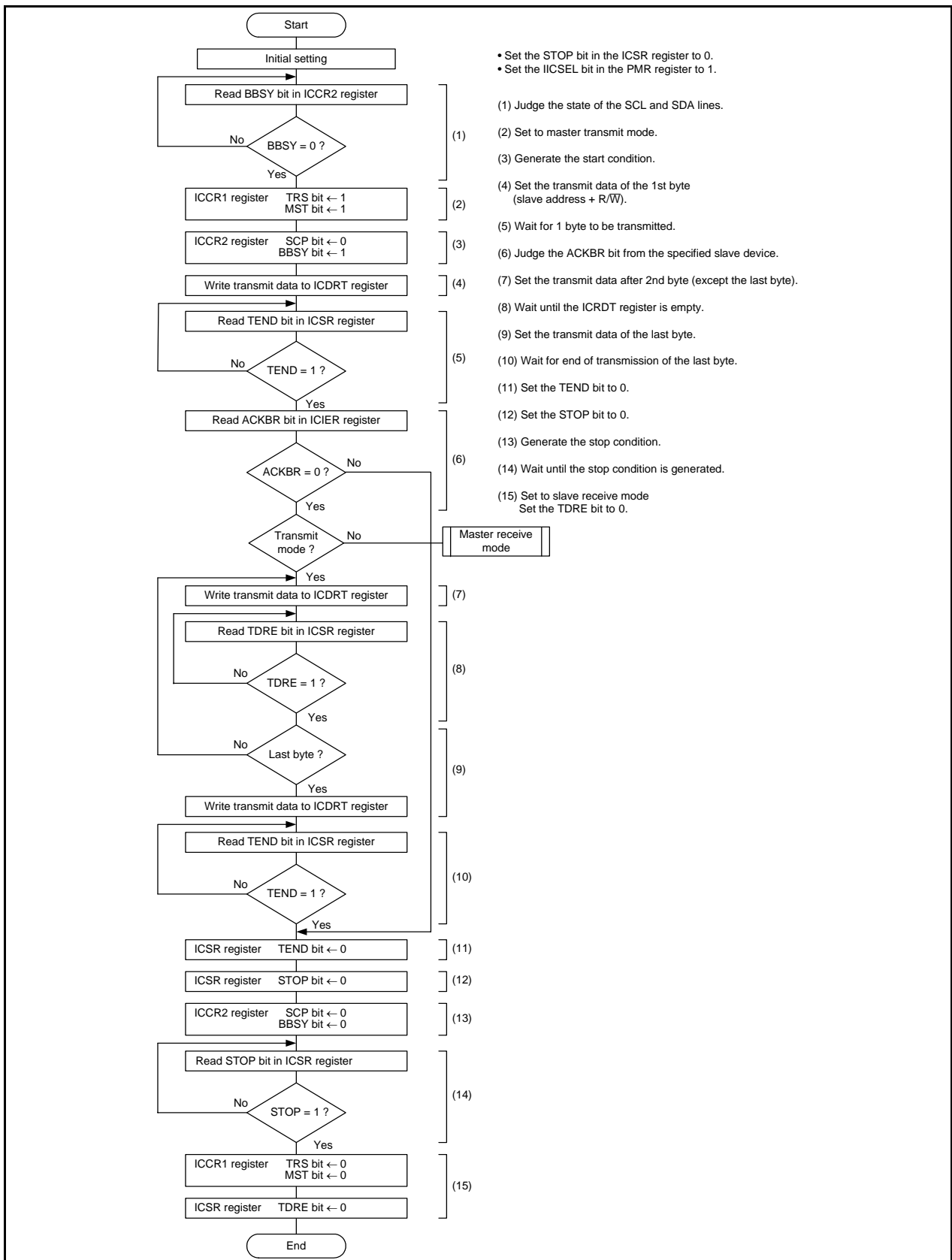


Figure 16.46 Example of Register Setting in Master Transmit Mode (I²C bus Interface Mode)

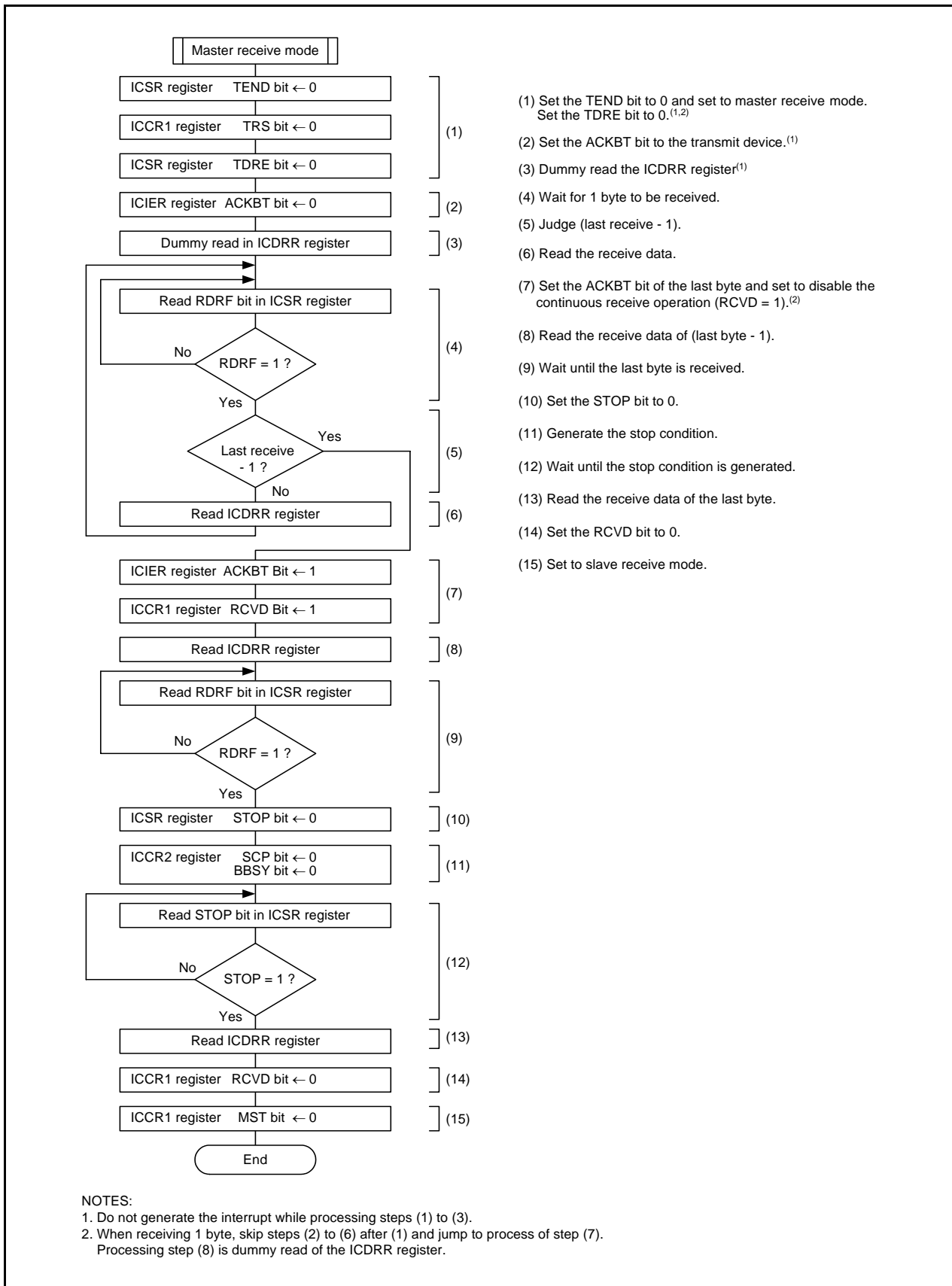


Figure 16.47 Example of Register Setting in Master Receive Mode (I²C bus Interface Mode)

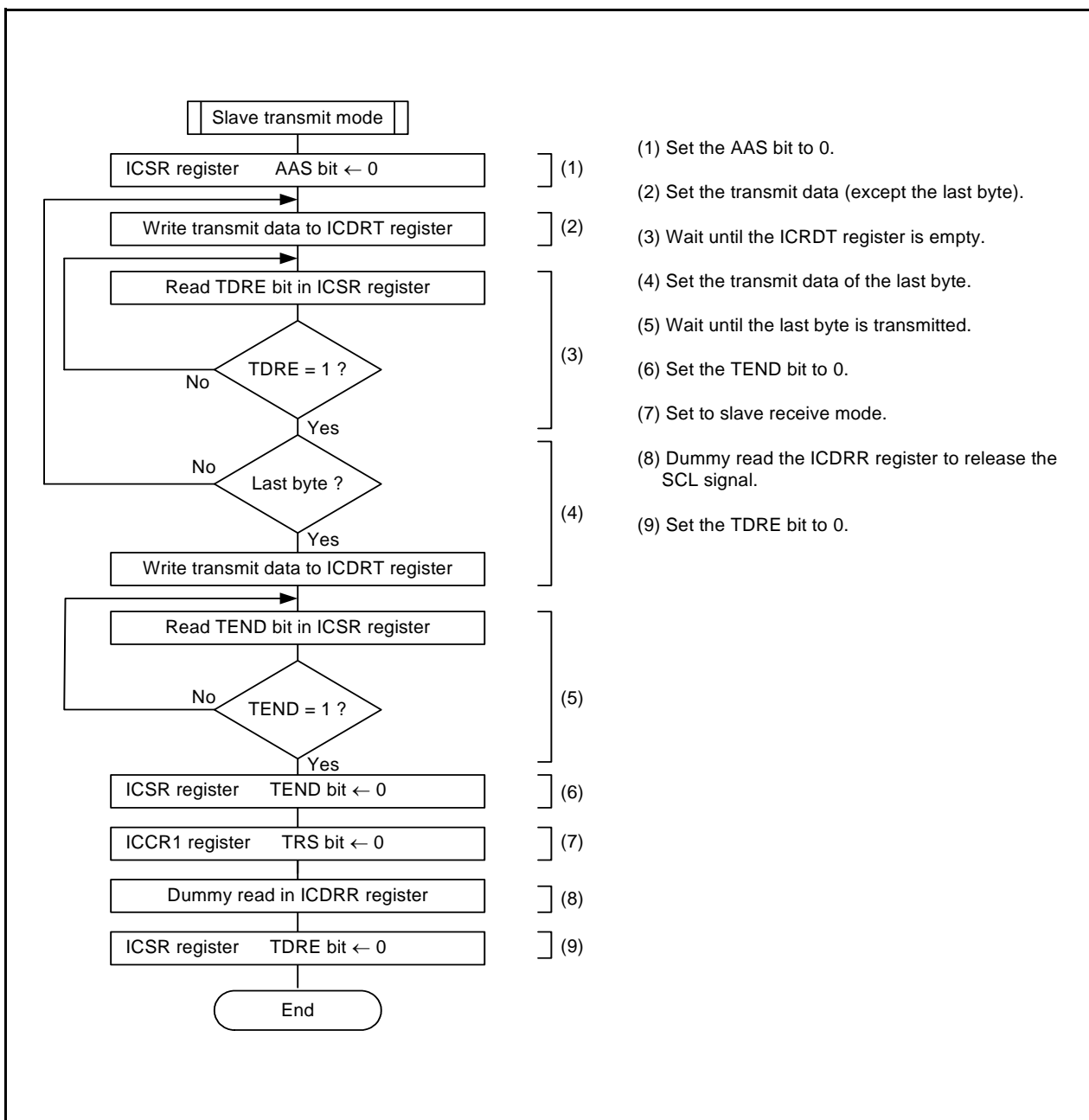


Figure 16.48 Example of Register Setting in Slave Transmit Mode (I²C bus Interface Mode)

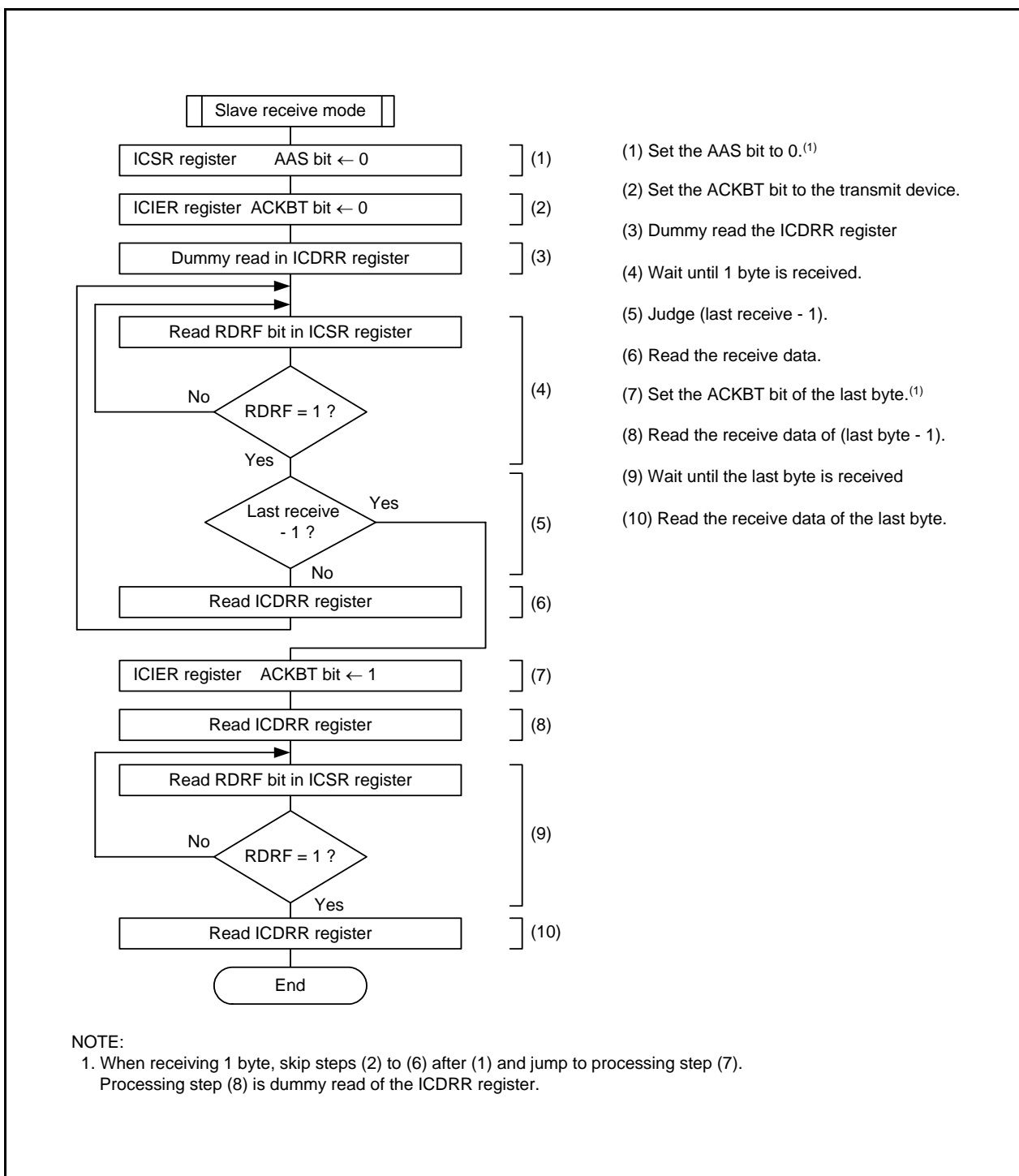


Figure 16.49 Example of Register Setting in Slave Receive Mode (I²C bus Interface Mode)

16.3.8 Notes on I²C bus Interface

Set the IICSEL bit in the PMR register to 1 (select I²C bus interface function) to use the I²C bus interface.

16.3.8.1 Accessing of Registers Associated with I²C bus Interface

Wait for three instructions or more or four cycles or more after writing to the same register among the registers associated with the I²C bus Interface (00B8h to 00BFh) before reading it.

- An example of waiting three instructions or more

```

Program example      MOV.B  #00h,00BBh    ; Set ICIER register to 00h
                    NOP
                    NOP
                    NOP
                    MOV.B  00BBh,R0L
  
```

- An example of waiting four cycles or more

```

Program example      BCLR   6,00BBh    ; Disable transmit end interrupt request
                    JMP.B  NEXT
NEXT:
                    BSET   7,00BBh    ; Enable transmit data empty interrupt request
  
```

17. A/D Converter

The A/D converter consists of one 10-bit successive approximation A/D converter circuit with a capacitive coupling amplifier. The analog input shares pins P1_0 to P1_3. Therefore, when using these pins, ensure that the corresponding port direction bits are set to 0 (input mode).

When not using the A/D converter, set the VCUT bit in the ADCON1 register to 0 (Vref unconnected) so that no current will flow from the VREF pin into the resistor ladder. This helps to reduce the power consumption of the chip.

The result of A/D conversion is stored in the AD register.

Table 17.1 lists the Performance of A/D Converter. Figure 17.1 shows a Block Diagram of A/D Converter.

Figures 17.2 and 17.3 show the A/D Converter-Associated Registers.

Table 17.1 Performance of A/D Converter

Item	Performance
A/D conversion method	Successive approximation (with capacitive coupling amplifier)
Analog input voltage ⁽¹⁾	0 V to AVCC
Operating clock ϕ_{AD} ⁽²⁾	4.2 V \leq AVCC \leq 5.5 V f1, f2, f4 2.7 V \leq AVCC < 4.2 V f2, f4
Resolution	8 bits or 10 bits selectable
Absolute accuracy	AVCC = Vref = 5 V • 8-bit resolution \pm 2 LSB • 10-bit resolution \pm 3 LSB AVCC = Vref = 3.3 V • 8-bit resolution \pm 2 LSB • 10-bit resolution \pm 5 LSB
Operating mode	One-shot and repeat ⁽³⁾
Analog input pin	4 pins (AN8 to AN11)
A/D conversion start conditions	• Software trigger Set the ADST bit in the ADCON0 register to 1 (A/D conversion starts). • Capture Timer Z interrupt request is generated while the ADST bit is set to 1.
Conversion rate per pin	• Without sample and hold function 8-bit resolution: 49 ϕ_{AD} cycles, 10-bit resolution: 59 ϕ_{AD} cycles • With sample and hold function 8-bit resolution: 28 ϕ_{AD} cycles, 10-bit resolution: 33 ϕ_{AD} cycles

NOTES:

- The analog input voltage does not depend on use of a sample and hold function.
When the analog input voltage is over the reference voltage, the A/D conversion result will be 3FFh in 10-bit mode and FFh in 8-bit mode.
- The frequency of ϕ_{AD} must be 10 MHz or below.
Without a sample and hold function, the ϕ_{AD} frequency should be 250 kHz or above.
With a sample and hold function, the ϕ_{AD} frequency should be 1 MHz or above.
- In repeat mode, only 8-bit mode can be used.

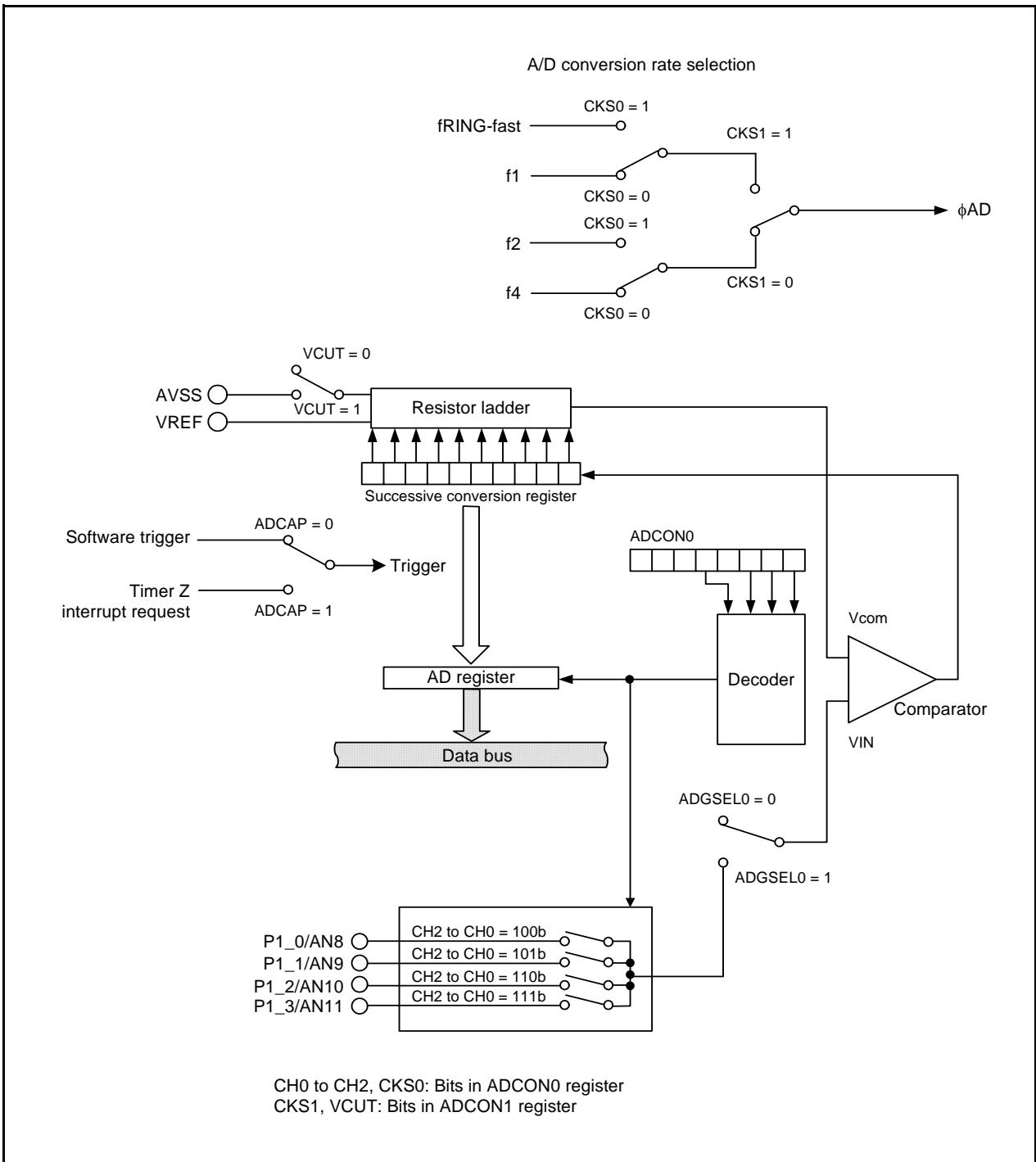


Figure 17.1 Block Diagram of A/D Converter

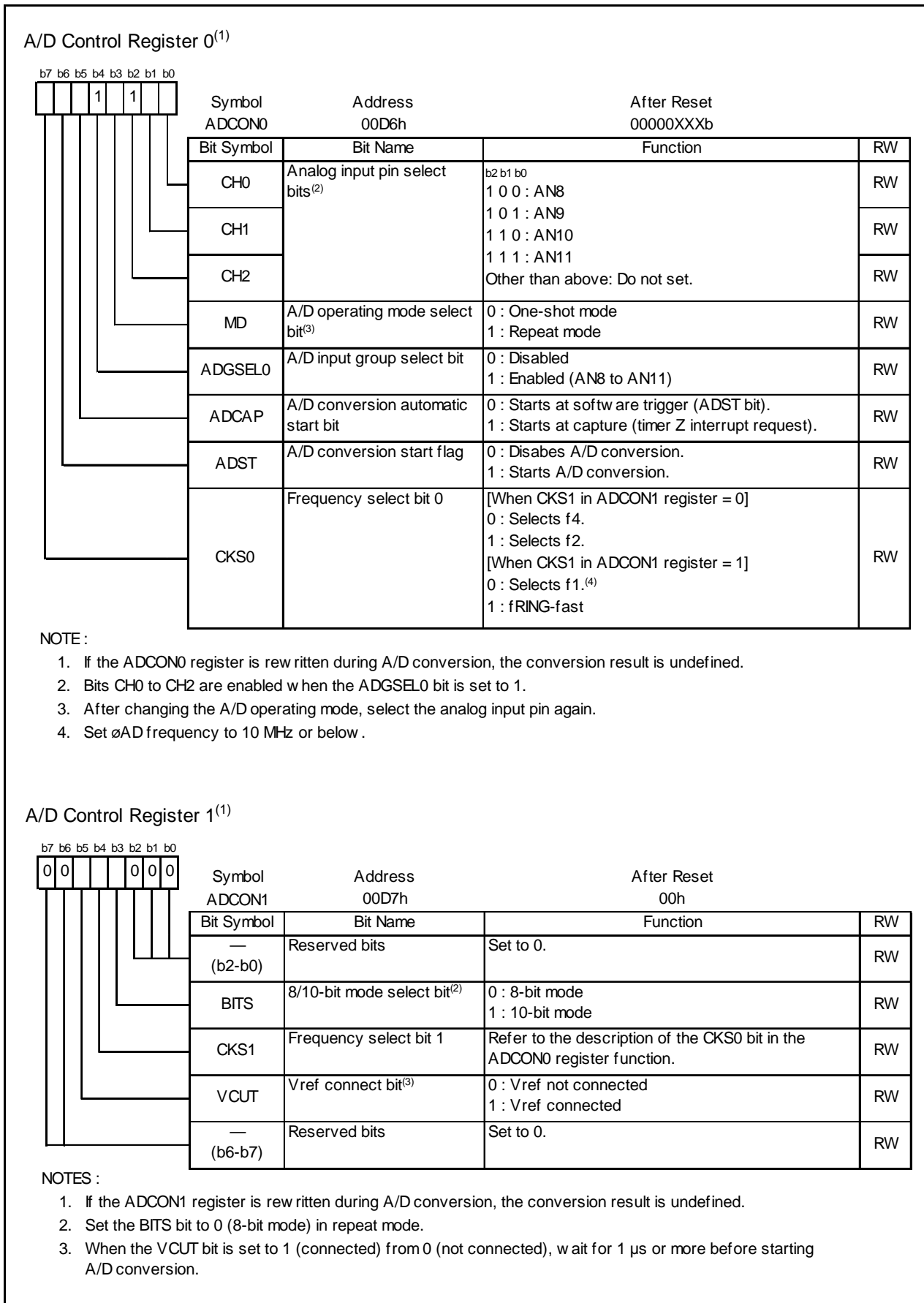


Figure 17.2 Registers ADCON0 and ADCON1

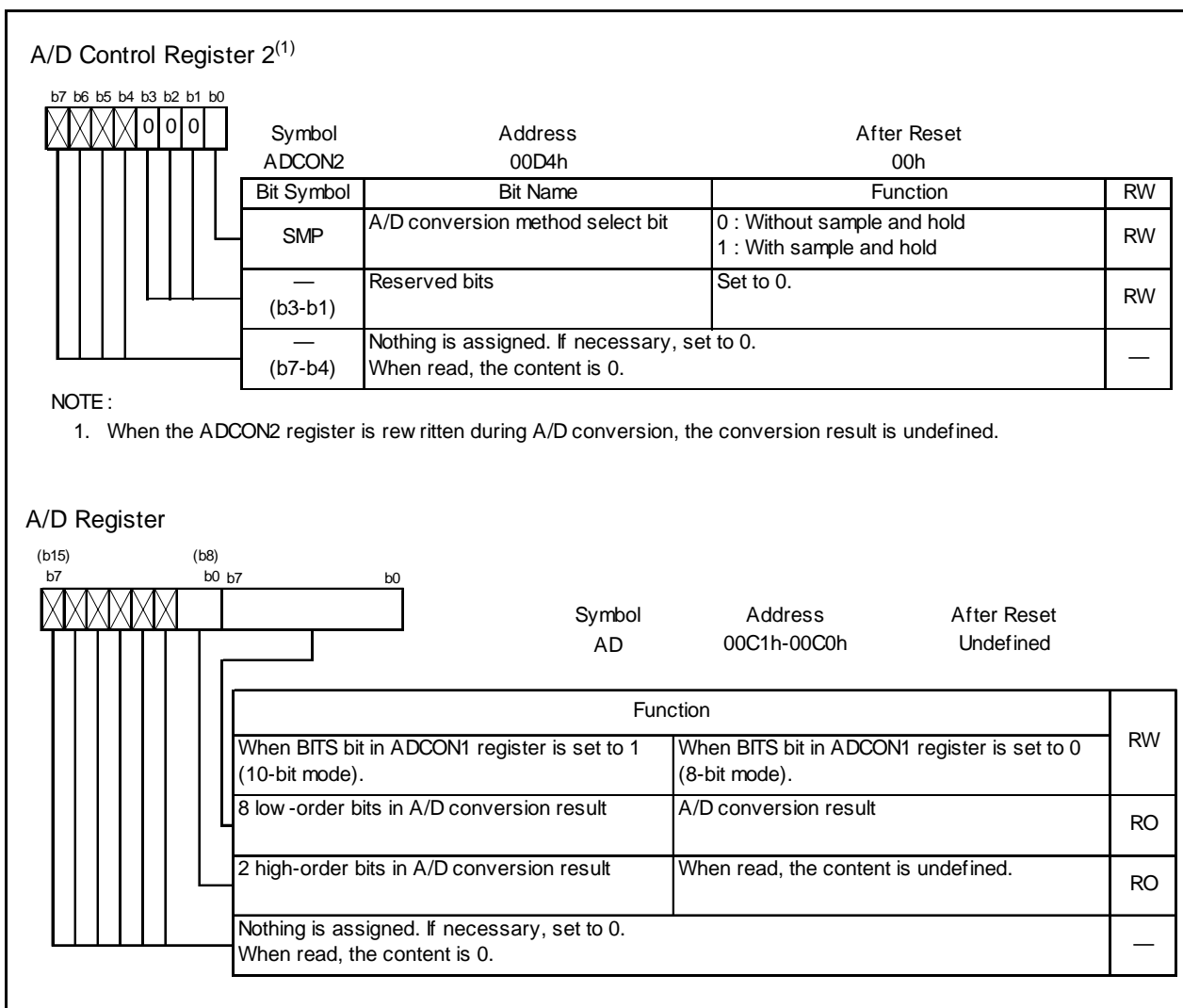


Figure 17.3 Registers ADCON2 and AD

17.1 One-Shot Mode

In one-shot mode, the input voltage of one selected pin is A/D converted once. Table 17.2 lists the One-Shot Mode Specifications. Figure 17.4 shows Registers ADCON0 and ADCON1 in One-shot Mode.

Table 17.2 One-Shot Mode Specifications

Item	Specification
Function	The input voltage of one pin selected by bits CH2 to CH0 is A/D converted once.
Start conditions	<ul style="list-style-type: none"> • When the ADCAP bit is set to 0 (software trigger), set the ADST bit to 1 (A/D conversion starts). • When the ADCAP bit is set to 1 (capture), timer Z interrupt request is generated while the ADST bit is set to 1.
Stop conditions	<ul style="list-style-type: none"> • A/D conversion completes (when the ADCAP bit is set to 0 (software trigger) ADST bit is set to 0). • Set the ADST bit to 0.
Interrupt request generation timing	A/D conversion completes.
Input pin	Select one of AN8 to AN11.
Reading of A/D conversion result	Read AD register.

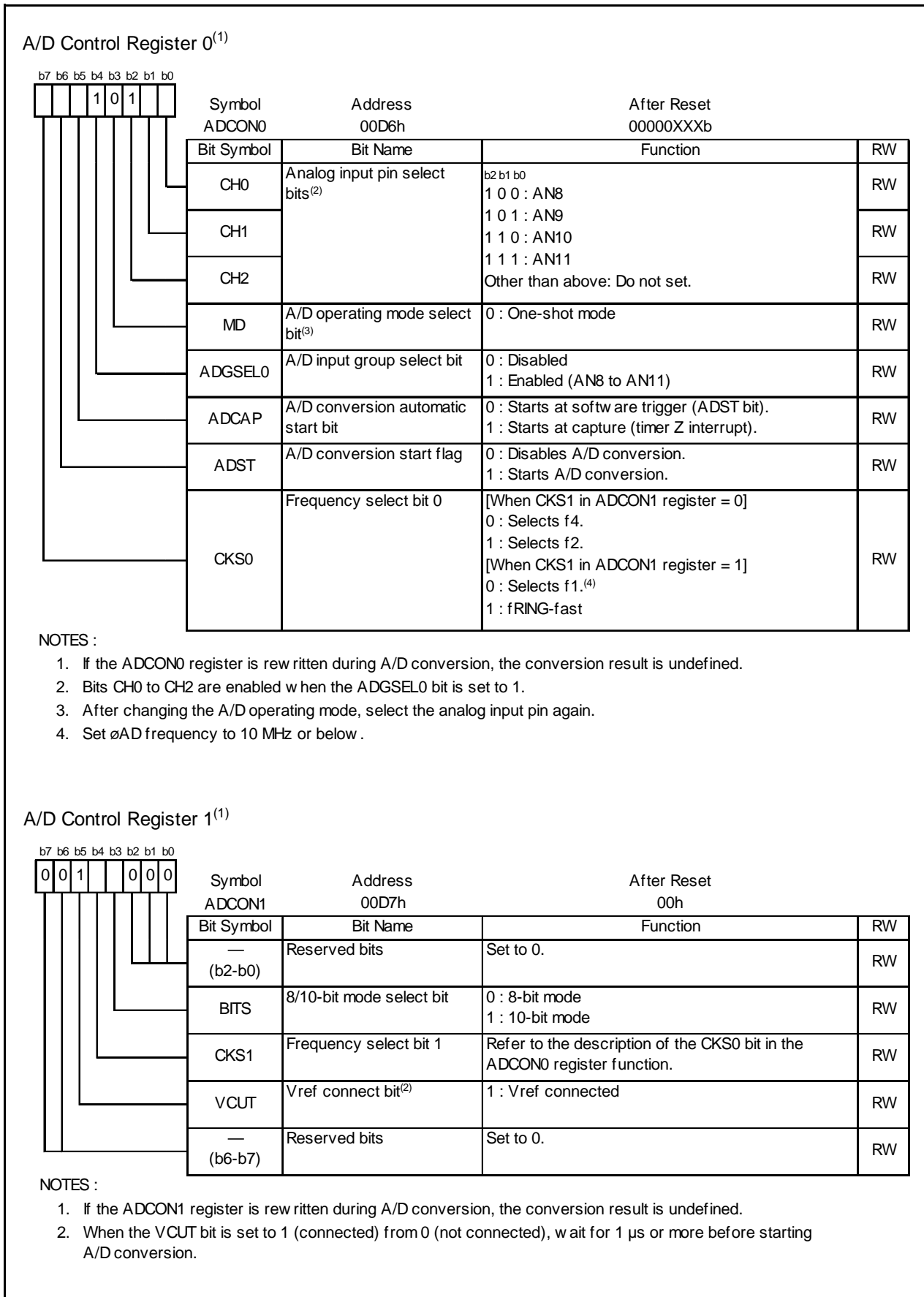


Figure 17.4 Registers ADCON0 and ADCON1 in One-shot Mode

17.2 Repeat Mode

In repeat mode, the input voltage of one selected pin is A/D converted repeatedly. Table 17.3 lists the Repeat Mode Specifications. Figure 17.5 shows Registers ADCON0 and ADCON1 in Repeat Mode.

Table 17.3 Repeat Mode Specifications

Item	Specification
Function	The Input voltage of one pin selected by bits CH2 to CH0 is A/D converted repeatedly
Start conditions	<ul style="list-style-type: none"> • When the ADCAP bit is set to 0 (software trigger), set the ADST bit to 1 (A/D conversion starts). • When the ADCAP bit is set to 1 (capture), timer Z interrupt request is generated while the ADST bit is set to 1.
Stop condition	Set the ADST bit to 0.
Interrupt request generation timing	Not generated
Input pin	Select one of AN8 to AN11.
Reading of A/D conversion result	Read AD register.

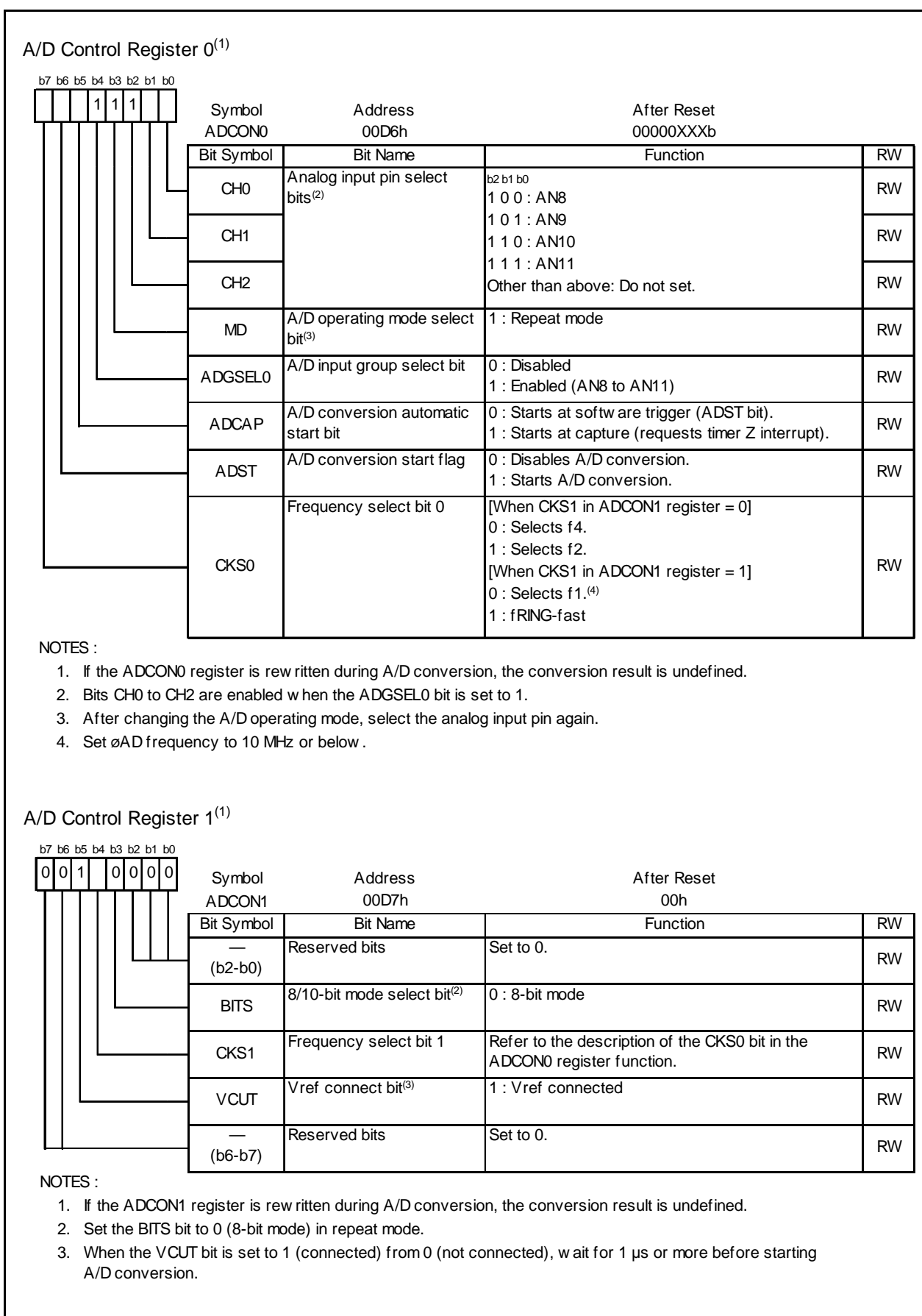


Figure 17.5 Registers ADCON0 and ADCON1 in Repeat Mode

17.3 Sample and Hold

When the SMP bit in the ADCON2 register is set to 1 (sample and hold function enabled), the A/D conversion rate per pin increases to $28\phi_{AD}$ cycles for 8-bit resolution or $33\phi_{AD}$ cycles for 10-bit resolution. The sample and hold function is available in all operating modes. Start A/D conversion after selecting whether the sample and hold circuit is to be used or not.

When performing A/D conversion, charge the comparator capacitor in the MCU during the sampling time.

Figure 17.6 shows a Timing Diagram of A/D Conversion.

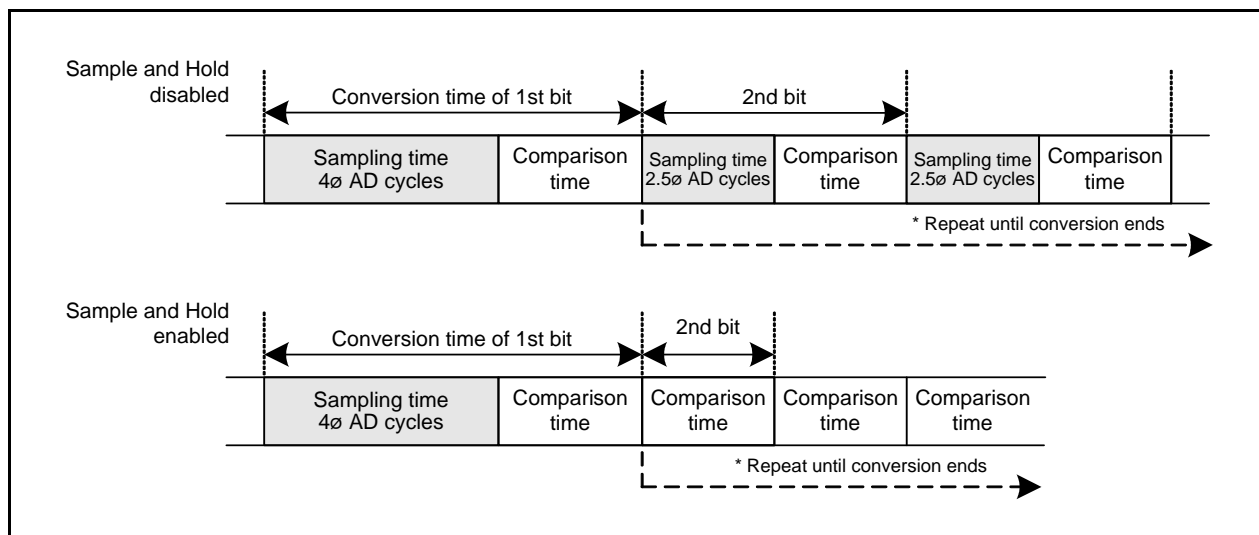


Figure 17.6 Timing Diagram of A/D Conversion

17.4 A/D Conversion Cycles

Figure 17.7 shows the A/D Conversion Cycles.

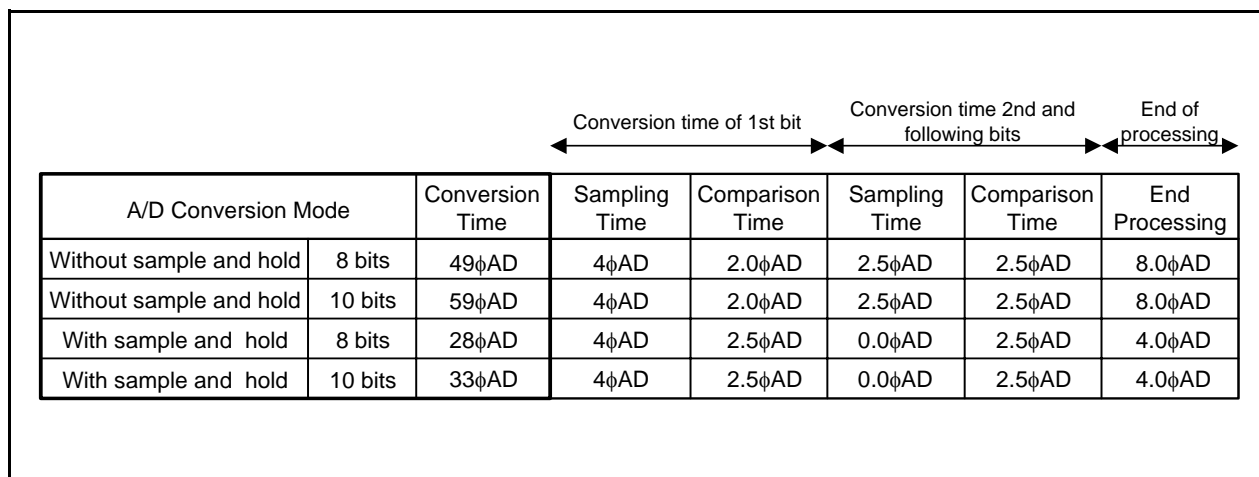


Figure 17.7 A/D Conversion Cycles

17.5 Internal Equivalent Circuit of Analog Input Block

Figure 17.8 shows the Internal Equivalent Circuit of Analog Input Block.

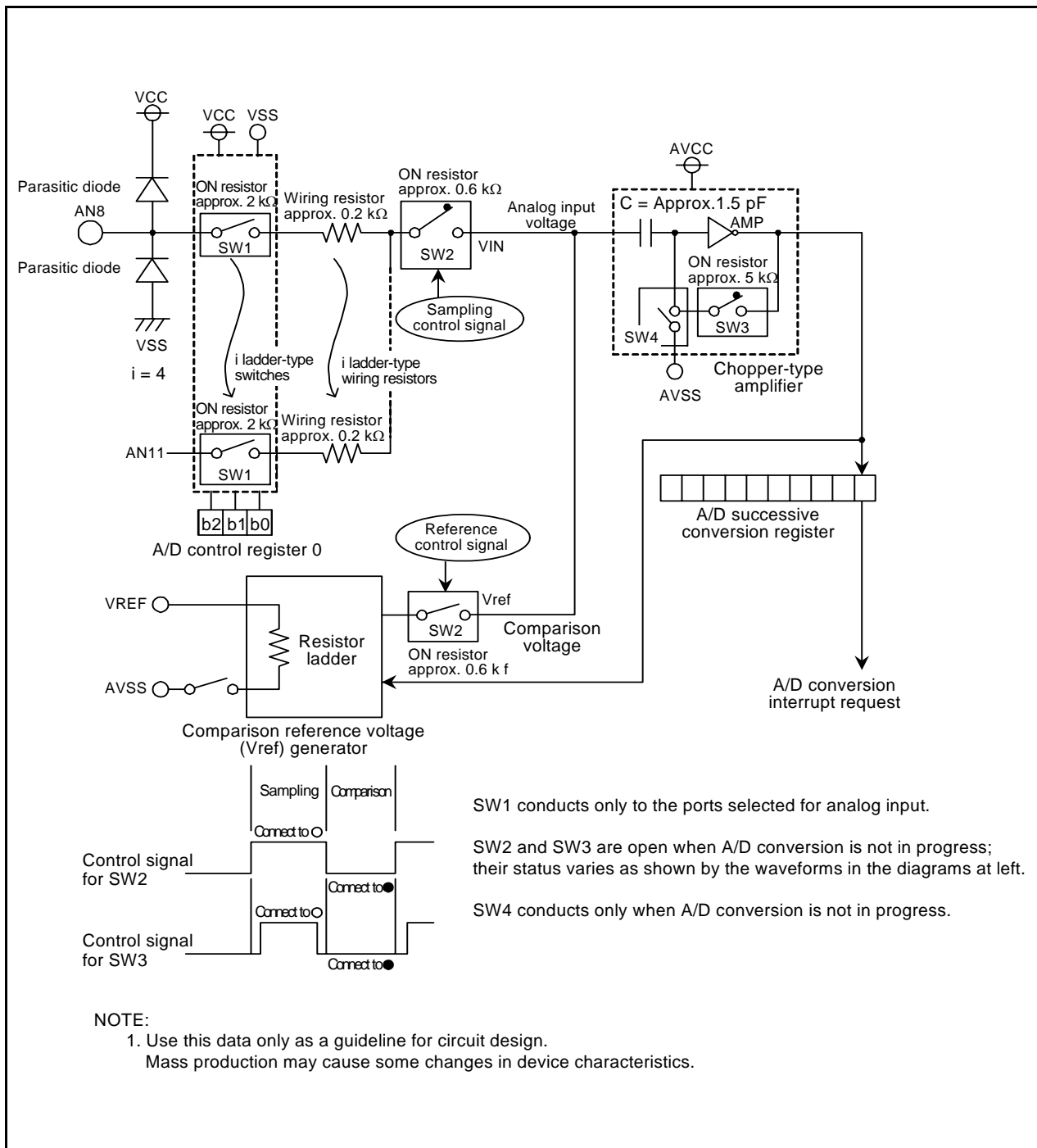


Figure 17.8 Internal Equivalent Circuit of Analog Input Block

17.6 Inflow Current Bypass Circuit

Figure 17.9 shows the Configuration of Inflow Current Bypass Circuit and Figure 17.10 shows an Example of Inflow Current Bypass Circuit where VCC or More is Applied.

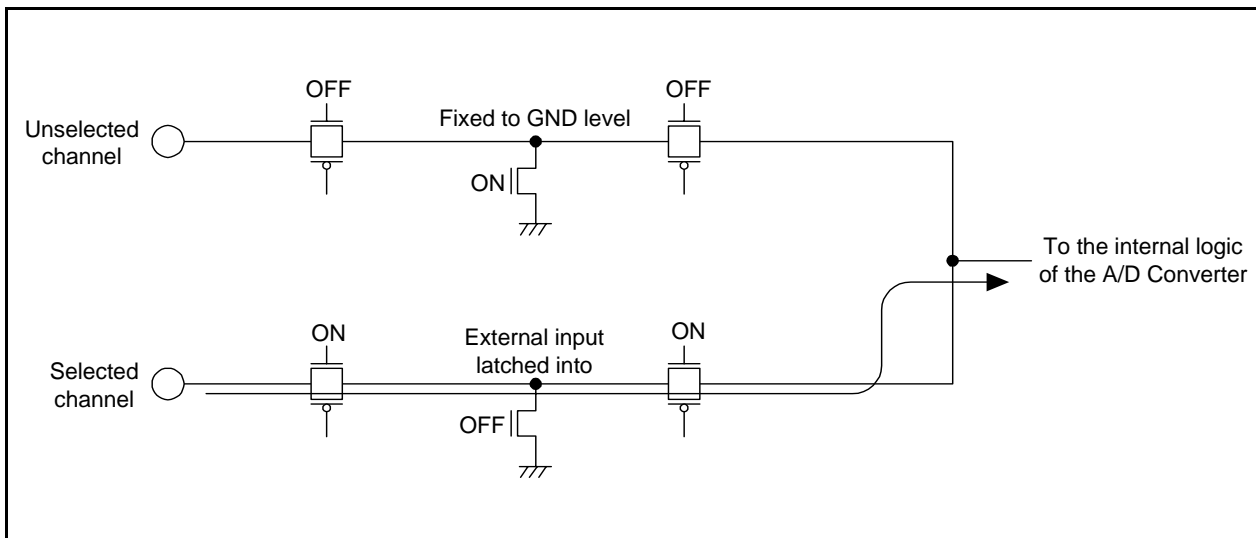


Figure 17.9 Configuration of Inflow Current Bypass Circuit

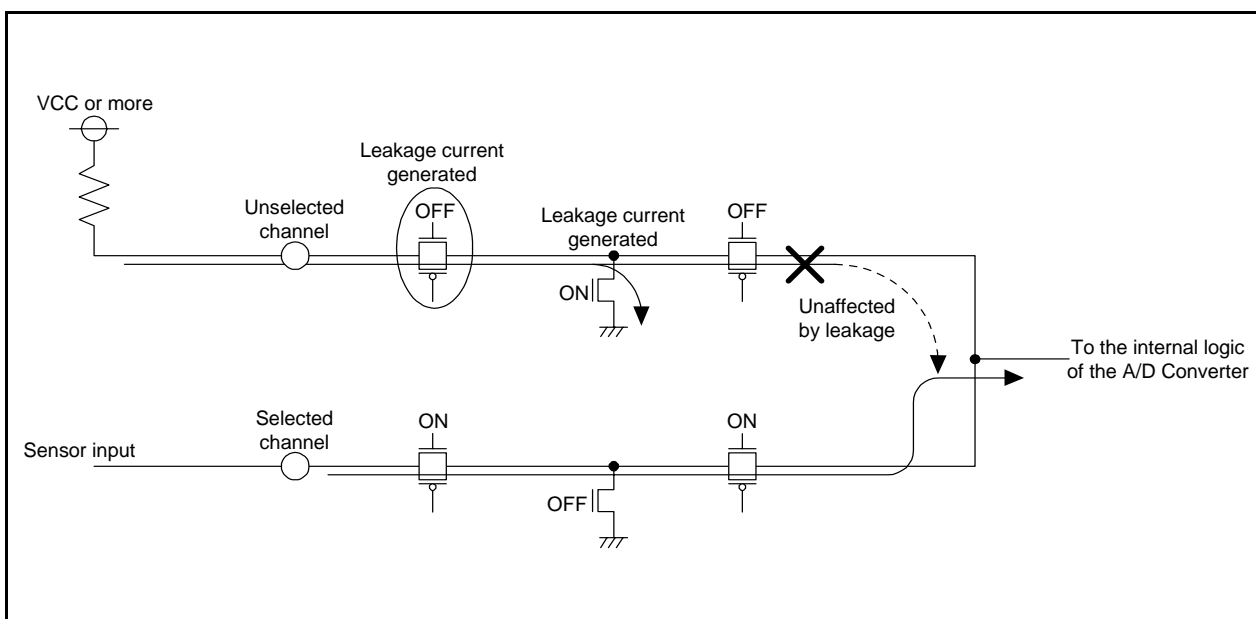


Figure 17.10 Example of Inflow Current Bypass Circuit where VCC or More is Applied

17.7 Output Impedance of Sensor under A/D Conversion

To carry out A/D conversion properly, charging the internal capacitor C shown in Figure 17.11 has to be completed within a specified period of time. T (sampling time) as the specified time. Let output impedance of sensor equivalent circuit be R_0 , internal resistance of microcomputer be R, precision (error) of the A/D converter be X, and the resolution of A/D converter be Y (Y is 1024 in the 10-bit mode, and 256 in the 8-bit mode).

$$VC \text{ is generally } VC = VIN \left\{ 1 - e^{-\frac{1}{C(R_0 + R)} t} \right\}$$

$$\text{And when } t = T, \quad VC = VIN - \frac{X}{Y} VIN = VIN \left(1 - \frac{X}{Y} \right)$$

$$e^{-\frac{1}{C(R_0 + R)} T} = \frac{X}{Y}$$

$$-\frac{1}{C(R_0 + R)} T = \ln \frac{X}{Y}$$

$$\text{Hence, } R_0 = -\frac{T}{C \cdot \ln \frac{X}{Y}} - R$$

Figure 17.11 shows Analog Input Pin and External Sensor Equivalent Circuit. When the difference between V_{IN} and VC becomes 0.1LSB, we find impedance R_0 when voltage between pins VC changes from 0 to $V_{IN} - (0.1/1024) V_{IN}$ in time T. (0.1/1024) means that A/D precision drop due to insufficient capacitor charge is held to 0.1LSB at time of A/D conversion in the 10-bit mode. Actual error however is the value of absolute precision added to 0.1LSB.

When $f(XIN) = 10 \text{ MHz}$, $T = 0.25 \mu\text{s}$ in the A/D conversion mode without sample & hold. Output impedance R_0 for sufficiently charging capacitor C within time T is determined as follows.

$T = 0.25 \mu\text{s}$, $R = 2.8 \text{ k}\Omega$, $C = 6.0 \text{ pF}$, $X = 0.1$, and $Y = 1024$. Hence,

$$R_0 = -\frac{0.25 \times 10^{-6}}{6.0 \times 10^{-12} \cdot \ln \frac{0.1}{1024}} - 2.8 \times 10^3 \approx 1.7 \times 10^3$$

Thus, the allowable output impedance of the sensor equivalent circuit, making the precision (error) 0.1LSB or less, is approximately 1.7 k Ω maximum.

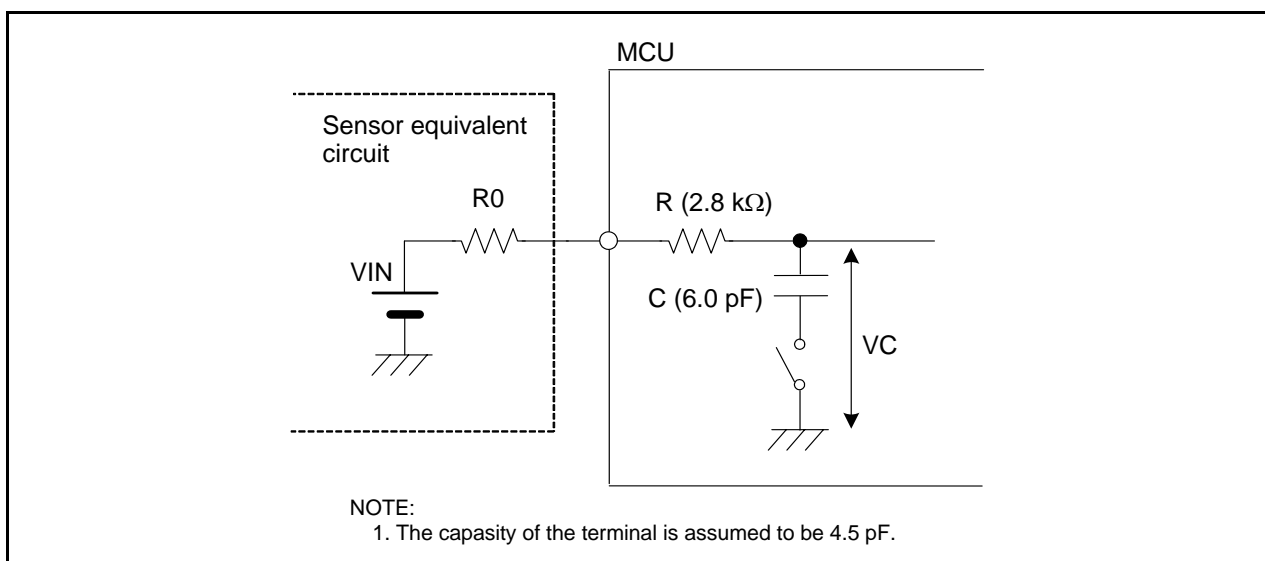


Figure 17.11 Analog Input Pin and External Sensor Equivalent Circuit

17.8 Notes on A/D Converter

- Write to each bit (other than bit 6) in the ADCON0 register, each bit in the ADCON1 register, or the SMP bit in the ADCON2 register when A/D conversion is stopped (before a trigger occurs).
- When the VCUT bit in the ADCON1 register is changed from 0 (VREF not connected) to 1 (VREF connected), wait for at least 1 μ s before starting A/D conversion.
- After changing the A/D operating mode, select an analog input pin again.
- When using the one-shot mode, ensure that A/D conversion is completed before reading the AD register. The IR bit in the ADIC register or the ADST bit in the ADCON0 register can be used to determine whether A/D conversion is completed.
- When using the repeat mode, use the undivided main clock as the CPU clock.
- If the ADST bit in the ADCON0 register is set to 0 (A/D conversion stops) by a program and A/D conversion is forcibly terminated during an A/D conversion operation, the conversion result of the A/D converter will be undefined. If the ADST bit is set to 0 by a program, do not use the value of the AD register.

18. Flash Memory

18.1 Overview

In the flash memory, rewrite operations to the flash memory can be performed in three modes; CPU rewrite, standard serial I/O, and parallel I/O.

Table 18.1 lists the Flash Memory Performance (refer to **Table 1.1 Functions and Specifications for R8C/1A Group** and **Table 1.2 Functions and Specifications for R8C/1B Group** for items not listed in Table 18.1).

Table 18.1 Flash Memory Performance

Item		Specification
Flash memory operating mode		3 modes (CPU rewrite, standard serial I/O, and parallel I/O mode)
Division of erase block		Refer to Figure 18.1 and Figure 18.2
Programming method		Byte unit
Erase method		Block erase
Programming and erasure control method		Program and erase control by software command
Rewrite control method		Rewrite control for blocks 0 and 1 by FMR02 bit in FMR0 register. Rewrite control for block 0 by FMR15 bit and block 1 by FMR16 bit in FMR1 register.
Number of commands		5 commands
Programming and erasure endurance ⁽¹⁾	Blocks 0 and 1 (program ROM)	R8C/1A Group: 100 times; R8C/1B Group: 1,000 times
	Blocks A and B (data flash) ⁽²⁾	10,000 times
ID code check function		Standard serial I/O mode supported
ROM code protect		Parallel I/O mode supported

NOTES:

1. Definition of programming and erasure endurance

The programming and erasure endurance is defined on a per-block basis. If the programming and erasure endurance is n (n = 100 or 10,000), each block can be erased n times. For example, if 1,024 1-byte writes are performed to block A, a 1-Kbyte block, and then the block is erased, the erase count stands at one. When performing 100 or more rewrites, the actual erase count can be reduced by executing programming operations in such a way that all blank areas are used before performing an erase operation. Avoid rewriting only particular blocks and try to average out the programming and erasure endurance of the blocks. It is also advisable to retain data on the erase count of each block and limit the number of erase operations to a certain number.

2. Blocks A and B are implemented only in the R8C/1B Group.

Table 18.2 Flash Memory Rewrite Modes

Flash Memory Rewrite Mode	CPU Rewrite Mode	Standard Serial I/O Mode	Parallel I/O Mode
Function	User ROM area is rewritten by executing software commands from the CPU. EW0 mode: Rewritable in any area other than flash memory EW1 mode: Rewritable in flash memory	User ROM area is rewritten by a dedicated serial programmer.	User ROM area is rewritten by a dedicated parallel programmer.
Areas which can be rewritten	User ROM area	User ROM area	User ROM area
Operating mode	Single chip mode	Boot mode	Parallel I/O mode
ROM programmer	None	Serial programmer	Parallel programmer

18.2 Memory Map

The flash memory contains a user ROM area and a boot ROM area (reserved area). Figure 18.1 shows a Flash Memory Block Diagram for R8C/1A Group. Figure 18.2 shows a Flash Memory Block Diagram for R8C/1B Group.

The user ROM area of the R8C/1B Group contains an area (program ROM) which stores MCU operating programs and the blocks A and B (data flash) each 1 Kbyte in size.

The user ROM area is divided into several blocks. The user ROM area can be rewritten in CPU rewrite mode and standard serial I/O and parallel I/O modes.

When rewriting blocks 0 and 1 in CPU rewrite mode, set the FMR02 bit in the FMR0 register to 1 (rewrite enabled). When the FMR15 bit in the FMR1 register to is set to 0 (rewrite enabled), block 0 is rewritable. When the FMR16 bit to is set 0 (rewrite enabled), block 1 is rewritable.

The rewrite control program for standard serial I/O mode is stored in the boot ROM area before shipment. The boot ROM area and the user ROM area share the same address, but have separate memory areas.

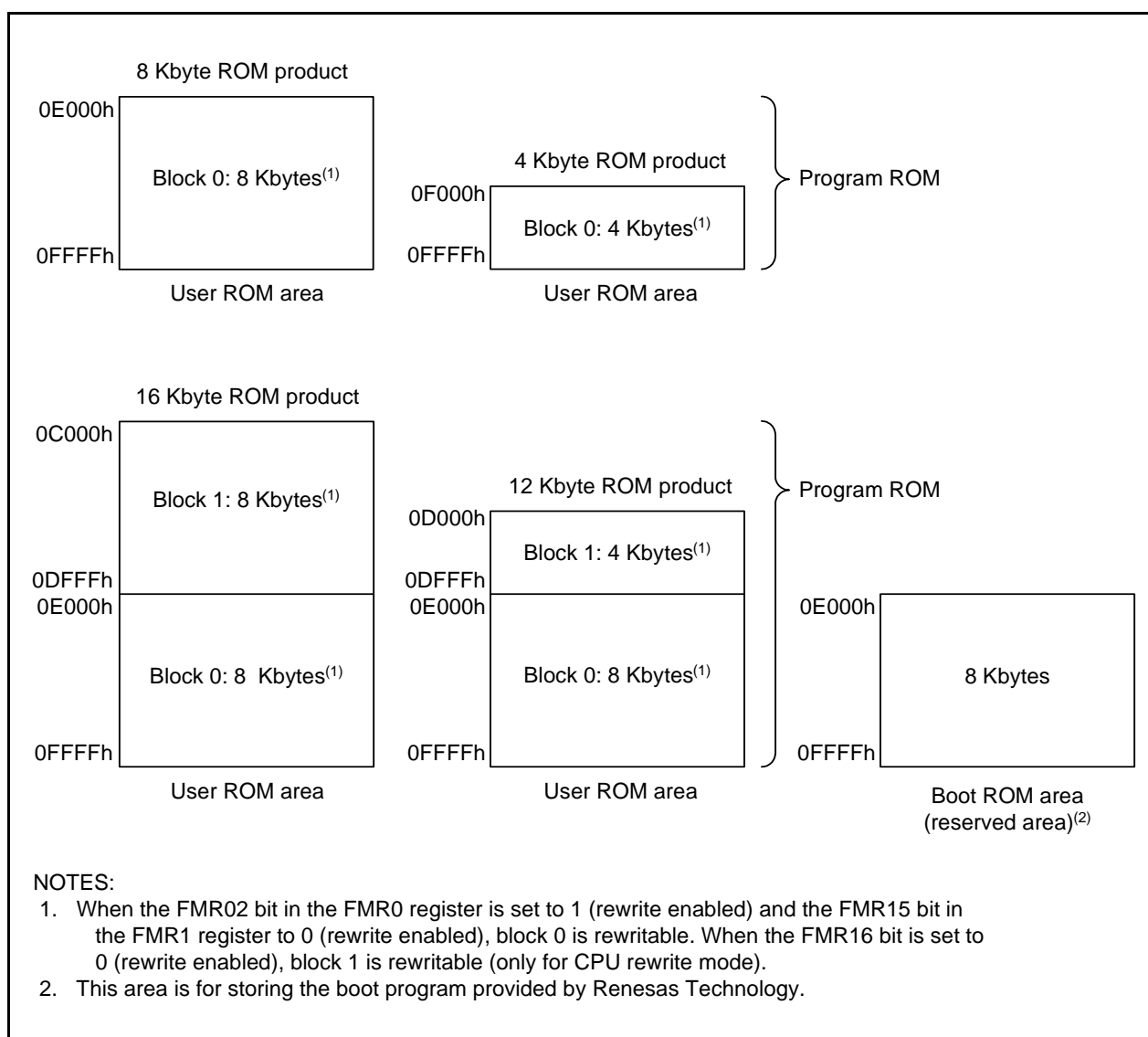


Figure 18.1 Flash Memory Block Diagram for R8C/1A Group

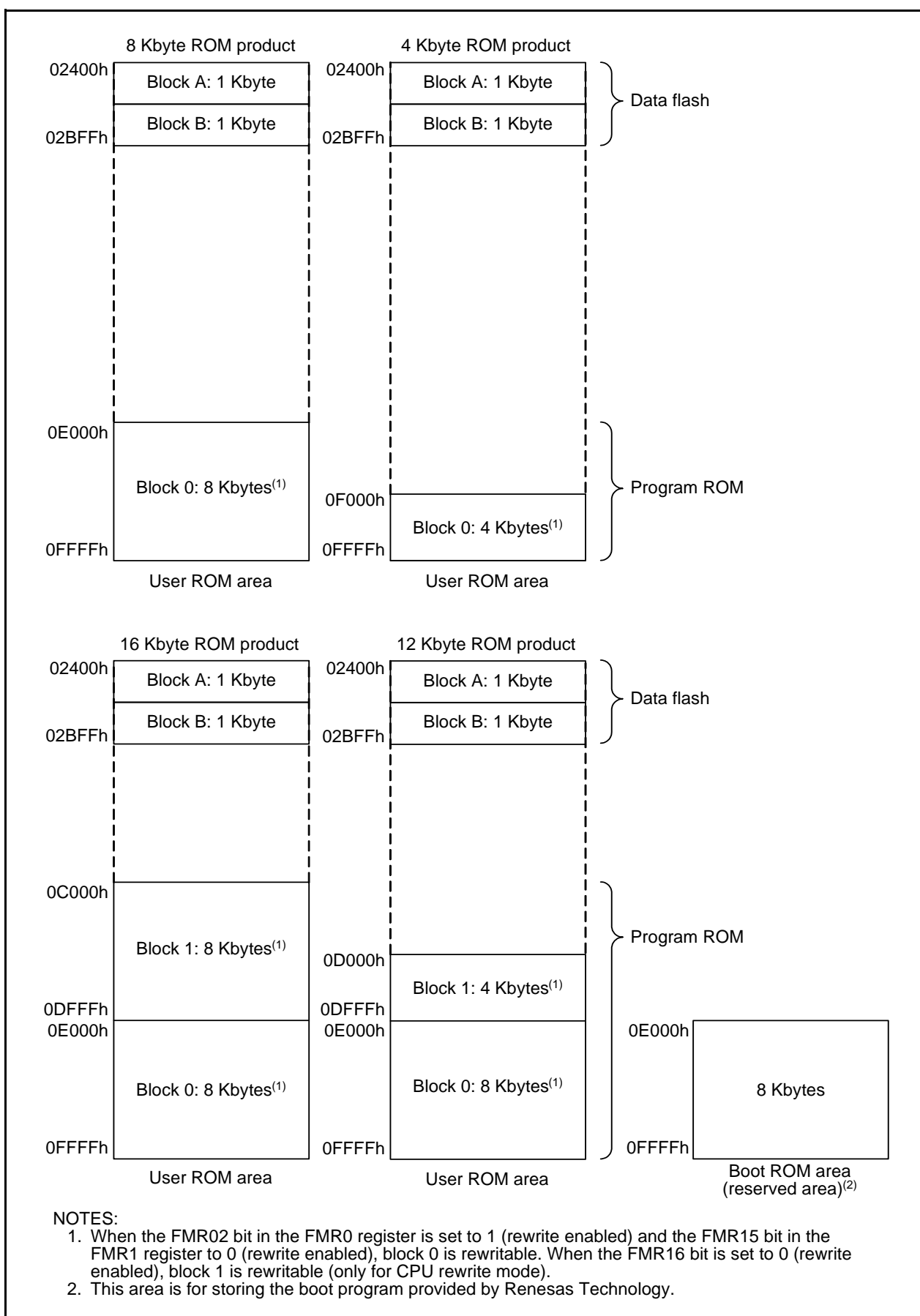


Figure 18.2 Flash Memory Block Diagram for R8C/1B Group

18.3 Functions to Prevent Rewriting of Flash Memory

Standard serial I/O mode has an ID code check function, and parallel I/O mode has a ROM code protect function to prevent the flash memory from being read or rewritten easily.

18.3.1 ID Code Check Function

This function is used in standard serial I/O mode. Unless the flash memory is blank, the ID codes sent from the programmer and the ID codes written in the flash memory are checked to see if they match. If the ID codes do not match, the commands sent from the programmer are not acknowledged. The ID codes consist of 8 bits of data each, the areas of which, beginning with the first byte, are 00FFDFh, 00FFE3h, 00FFEBh, 00FFEFh, 00FFF3h, 00FFF7h, and 00FFFBh. Write programs in which the ID codes are set at these addresses and write them to the flash memory.

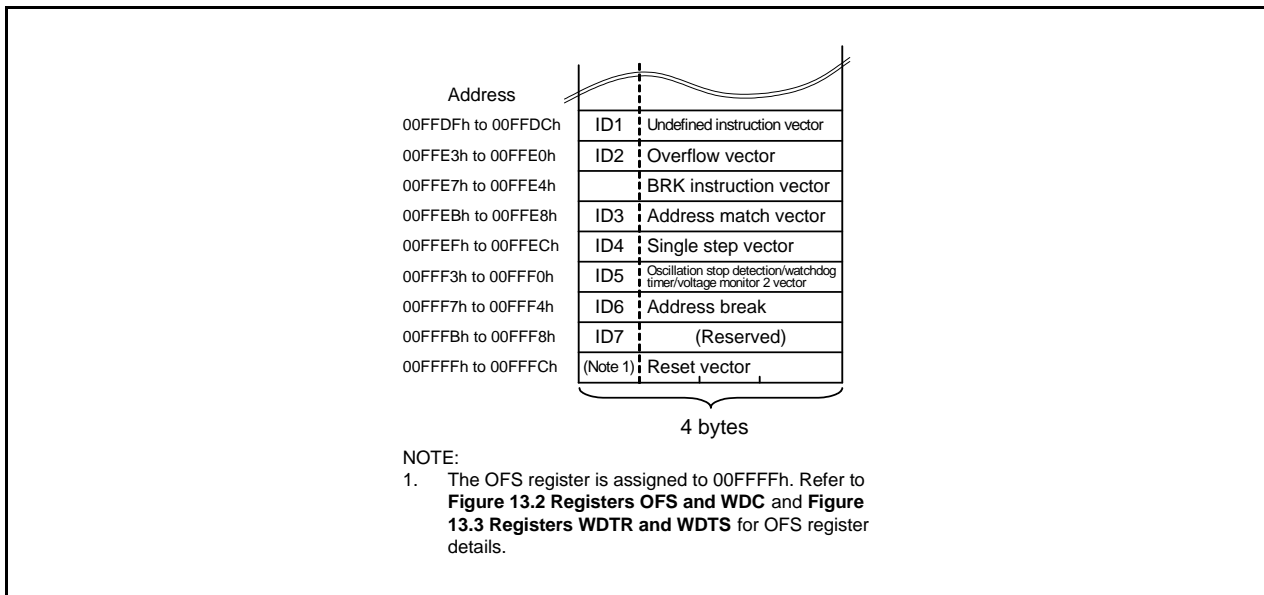


Figure 18.3 Address for Stored ID Code

18.3.2 ROM Code Protect Function

The ROM code protect function disables reading or changing the contents of the on-chip flash memory by the OFS register in parallel I/O mode. Figure 18.4 shows the OFS Register.

The ROM code protect function is enabled by writing 0 to the ROMCP1 bit and 1 to the ROMCR bit. It disables reading or changing the contents of the on-chip flash memory.

Once ROM code protect is enabled, the content in the internal flash memory cannot be rewritten in parallel I/O mode. To disable ROM code protect, erase the block including the OFS register with CPU rewrite mode or standard serial I/O mode.

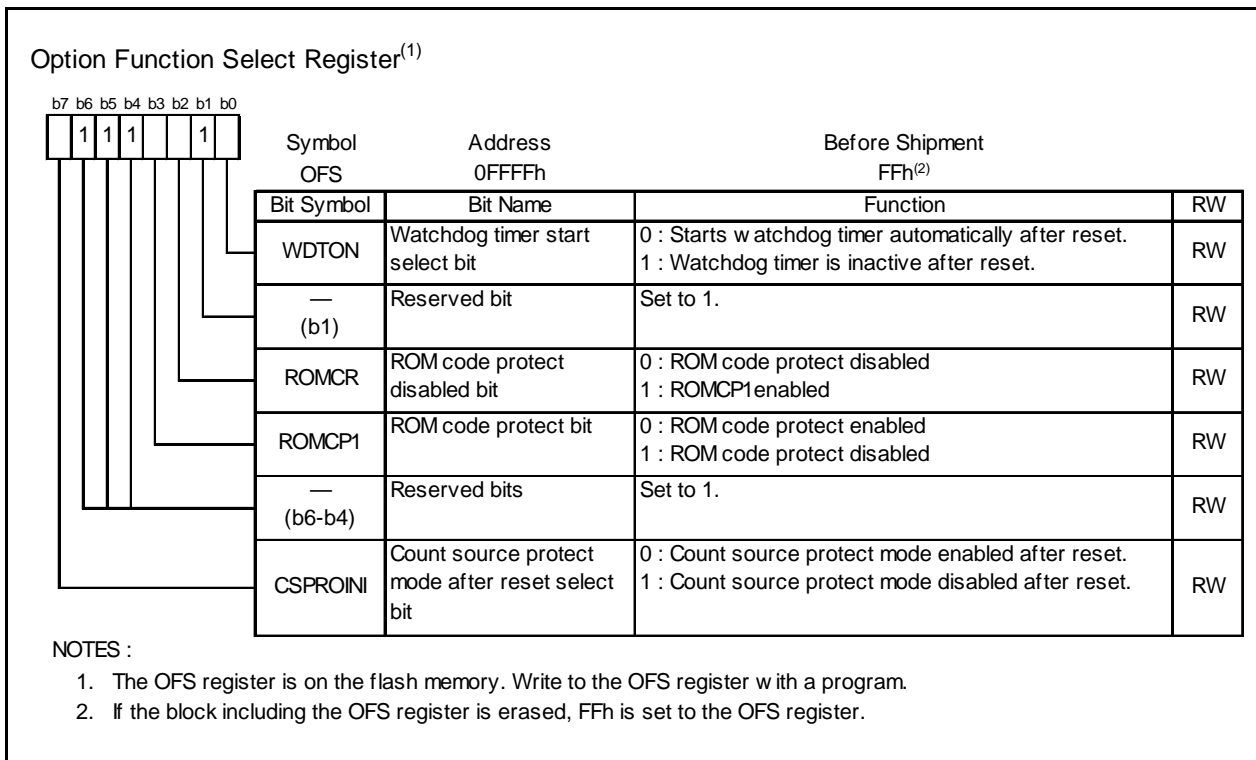


Figure 18.4 OFS Register

18.4 CPU Rewrite Mode

In CPU rewrite mode, the user ROM area can be rewritten by executing software commands from the CPU. Therefore, the user ROM area can be rewritten directly while the MCU is mounted on a board without using a ROM programmer. Execute the program and block erase commands only to blocks in the user ROM area.

The flash module has an erase-suspend function when an interrupt request is generated during an erase operation in CPU rewrite mode. It performs an interrupt process after the erase operation is halted temporarily.

During erase-suspend, the user ROM area can be read by a program.

In case an interrupt request is generated during an auto-program operation in CPU rewrite mode, the flash module has a program-suspend function which performs the interrupt process after the auto-program operation. During program-suspend, the user ROM area can be read by a program.

CPU rewrite mode has an erase write 0 mode (EW0 mode) and an erase write 1 mode (EW1 mode). Table 18.3 lists the Differences between EW0 Mode and EW1 Mode.

Table 18.3 Differences between EW0 Mode and EW1 Mode

Item	EW0 Mode	EW1 Mode
Operating mode	Single-chip mode	Single-chip mode
Areas in which a rewrite control program can be located	User ROM area	User ROM area
Areas in which a rewrite control program can be executed	Necessary to transfer to any area other than the flash memory (e.g., RAM) before executing.	Executing directly in user ROM area is possible.
Areas which can be rewritten	User ROM area	User ROM area However, blocks which contain a rewrite control program are excluded. ⁽¹⁾
Software command restrictions	None	<ul style="list-style-type: none"> • Program and block erase commands • Cannot be run on any block which contains a rewrite control program • Read status register command cannot be executed
Modes after program or erase	Read status register mode	Read array mode
Modes after read status register	Read status register mode	Do not execute this command
CPU status during auto-write and auto-erase	Operating	Hold state (I/O ports hold state before the command is executed.)
Flash memory status detection	<ul style="list-style-type: none"> • Read bits FMR00, FMR06, and FMR07 in the FMR0 register by a program. • Execute the read status register command and read bits SR7, SR5, and SR4 in the status register. 	Read bits FMR00, FMR06, and FMR07 in the FMR0 register by a program.
Conditions for transition to erase-suspend	Set bits FMR40 and FMR41 in the FMR4 register to 1 by a program.	The FMR40 bit in the FMR4 register is set to 1 and the interrupt request of the enabled maskable interrupt is generated.
Conditions for transitions to program-suspend	Set bits FMR40 and FMR42 in the FMR4 register to 1 by a program.	The FMR40 bit in the FMR4 register is set to 1 and the interrupt request of the enabled maskable interrupt is generated.
CPU clock	5 MHz or below	No restriction (on clock frequency to be used)

NOTE:

1. When the FMR02 bit in the FMR0 register is set to 1 (rewrite enabled), rewriting block 0 is enabled by setting the FMR15 bit in the FMR1 register to 0 (rewrite enabled), and rewriting block 1 is enabled by setting the FMR16 bit to 0 (rewrite enabled).

18.4.1 EW0 Mode

The MCU enters CPU rewrite mode and software commands can be acknowledged by setting the FMR01 bit in the FMR0 register to 1 (CPU rewrite mode enabled). In this case, since the FMR11 bit in the FMR1 register is set to 0, EW0 mode is selected.

Use software commands to control program and erase operations. The FMR0 register or the status register can be used to determine when program and erase operations complete.

During auto-erasure, set the FMR40 bit to 1 (erase-suspend enabled) and the FMR41 bit to 1 (request erase-suspend). Wait for td(SR-SUS) and ensure that the FMR46 bit is set to 1 (read enabled) before accessing the user ROM area. The auto-erase operation can be restarted by setting the FMR41 bit to 0 (erase restarts).

To enter program-suspend during the auto-program operation, set the FMR40 bit to 1 (suspend enabled) and the FMR42 bit to 1 (request program-suspend). Wait for td(SR-SUS) and ensure that the FMR46 bit is set to 1 (read enabled) before accessing the user ROM area. The auto-program operation can be restarted by setting the FMR42 bit to 0 (program restarts).

18.4.2 EW1 Mode

The MCU is switched to EW1 mode by setting the FMR11 bit to 1 (EW1 mode) after setting the FMR01 bit to 1 (CPU rewrite mode enabled).

The FMR0 register can be used to determine when program and erase operations complete. Do not execute software commands that use the read status register in EW1 mode.

To enable the erase-suspend function during auto-erasure, execute the block erase command after setting the FMR40 bit to 1 (erase-suspend enabled). The interrupt to enter erase-suspend should be in interrupt enabled status. After waiting for td(SR-SUS) after the block erase command is executed, the interrupt request is acknowledged.

When an interrupt request is generated, the FMR41 bit is automatically set to 1 (requests erase-suspend) and the auto-erase operation suspends. If an auto-erase operation does not complete (FMR00 bit is 0) after an interrupt process completes, the auto-erase operation restarts by setting the FMR41 bit to 0 (erase restarts)

To enable the program-suspend function during auto-programming, execute the program command after setting the FMR40 bit to 1 (suspend enabled). The interrupt to enter a program-suspend should be in interrupt enabled status. After waiting for td(SR-SUS) after the program command is executed, an interrupt request is acknowledged.

When an interrupt request is generated, the FMR42 bit is automatically set to 1 (request program-suspend) and the auto-program operation suspends. When the auto-program operation does not complete (FMR00 bit is 0) after the interrupt process completes, the auto-program operation can be restarted by setting the FMR42 bit to 0 (programming restarts).

Figure 18.5 shows the FMR0 Register. Figure 18.7 shows the FMR4 Register.

18.4.2.1 FMR00 Bit

This bit indicates the operating status of the flash memory. The bit's value is 0 during programming, or erasure (suspend term included); otherwise, it is 1.

18.4.2.2 FMR01 Bit

The MCU is made ready to accept commands by setting the FMR01 bit to 1 (CPU rewrite mode).

18.4.2.3 FMR02 Bit

Rewriting of blocks 1 and 0 does not accept the program or block erase commands if the FMR02 bit is set to 0 (rewrite disabled).

Rewriting of blocks 0 and 1 is controlled by bits FMR15 and FMR16 if the FMR02 bit is set to 1 (rewrite enabled).

18.4.2.4 FMSTP Bit

This bit is used to initialize the flash memory control circuits, and also to reduce the amount of current consumed by the flash memory. Access to the flash memory is disabled by setting the FMSTP bit to 1. Therefore, the FMSTP bit must be written to by a program located outside of the flash memory.

In the following cases, set the FMSTP bit to 1:

- When flash memory access resulted in an error while erasing or programming in EW0 mode (FMR00 bit not reset to 1 (ready)).
- When entering on-chip oscillator mode (main clock stops).

Figure 18.11 shows a flowchart of the steps to be followed before and after entering on-chip oscillator mode (main clock stop). Note that when going to stop or wait mode while the CPU rewrite mode is disabled, the FMR0 register does not need to be set because the power for the flash memory is automatically turned off and is turned back on again after returning from stop or wait mode.

18.4.2.5 FMR06 Bit

This is a read-only bit indicating the status of an auto-program operation. The bit is set to 1 when a program error occurs; otherwise, it is set to 0. For details, refer to the description in **18.4.5 Full Status Check**.

18.4.2.6 FMR07 Bit

This is a read-only bit indicating the status of an auto-erase operation. The bit is set to 1 when an erase error occurs; otherwise, it is set to 0. Refer to **18.4.5 Full Status Check** for details.

18.4.2.7 FMR11 Bit

Setting this bit to 1 (EW1 mode) places the MCU in EW1 mode.

18.4.2.8 FMR15 Bit

When the FMR02 bit is set to 1 (rewrite enabled) and the FMR15 bit is set to 0 (rewrite enabled), block 0 accepts program and block erase commands.

18.4.2.9 FMR16 Bit

When the FMR02 bit is set to 1 (rewrite enabled) and the FMR16 bit is set to 0 (rewrite enabled), block 1 accepts program and block erase commands.

18.4.2.10 FMR40 Bit

The suspend function is enabled by setting the FMR40 bit to 1 (enable).

18.4.2.11 FMR41 Bit

In EW0 mode, the MCU enters erase-suspend mode when the FMR41 bit is set to 1 by a program. The FMR41 bit is automatically set to 1 (request erase-suspend) when an interrupt request of an enabled interrupt is generated in EW1 mode, and then the MCU enters erase-suspend mode.

Set the FMR41 bit to 0 (erase restarts) when the auto-erase operation restarts.

18.4.2.12 FMR42 Bit

In EW0 mode, the MCU enters program-suspend mode when the FMR42 bit is set to 1 by a program. The FMR42 bit is automatically set to 1 (request program-suspend) when an interrupt request of an enabled interrupt is generated in EW1 mode, and then the MCU enters program-suspend mode.

Set the FMR42 bit to 0 (program restart) when the auto-program operation restarts.

18.4.2.13 FMR43 Bit

When the auto-erase operation starts, the FMR43 bit is set to 1 (erase execution in progress). The FMR43 bit remains set to 1 (erase execution in progress) during erase-suspend operation.

When the auto-erase operation ends, the FMR43 bit is set to 0 (erase not executed).

18.4.2.14 FMR44 Bit

When the auto-program operation starts, the FMR44 bit is set to 1 (program execution in progress). The FMR44 bit remains set to 1 (program execution in progress) during program-suspend operation.

When the auto-program operation ends, the FMR44 bit is set to 0 (program not executed).

18.4.2.15 FMR46 Bit

The FMR46 bit is set to 0 (reading disabled) during auto-erase execution and set to 1 (reading enabled) in erase-suspend mode. Do not access the flash memory while this bit is set to 0.

18.4.2.16 FMR47 Bit

Power consumption when reading flash memory can be reduced by setting the FMR47 bit to 1 (enabled).

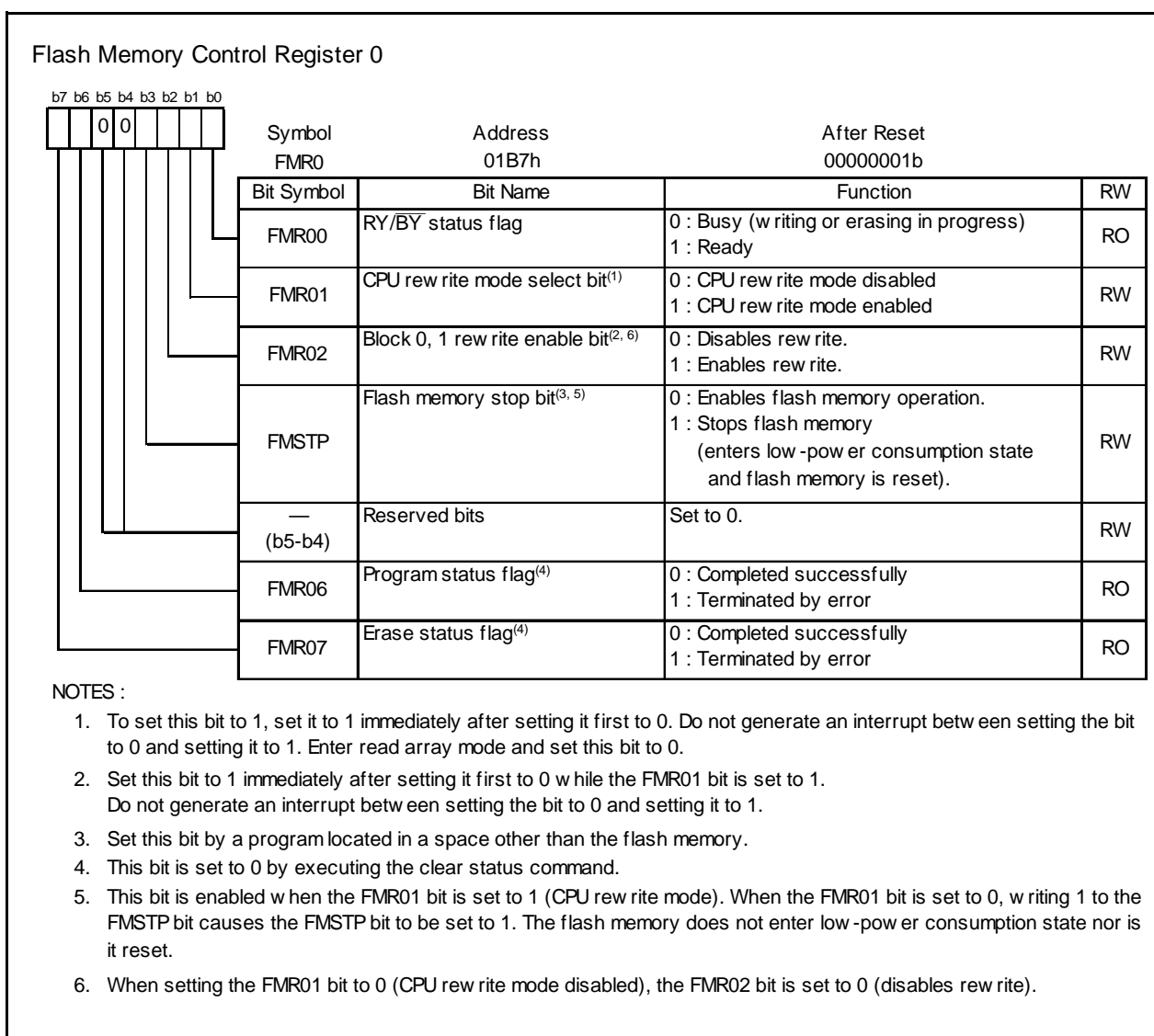


Figure 18.5 FMR0 Register

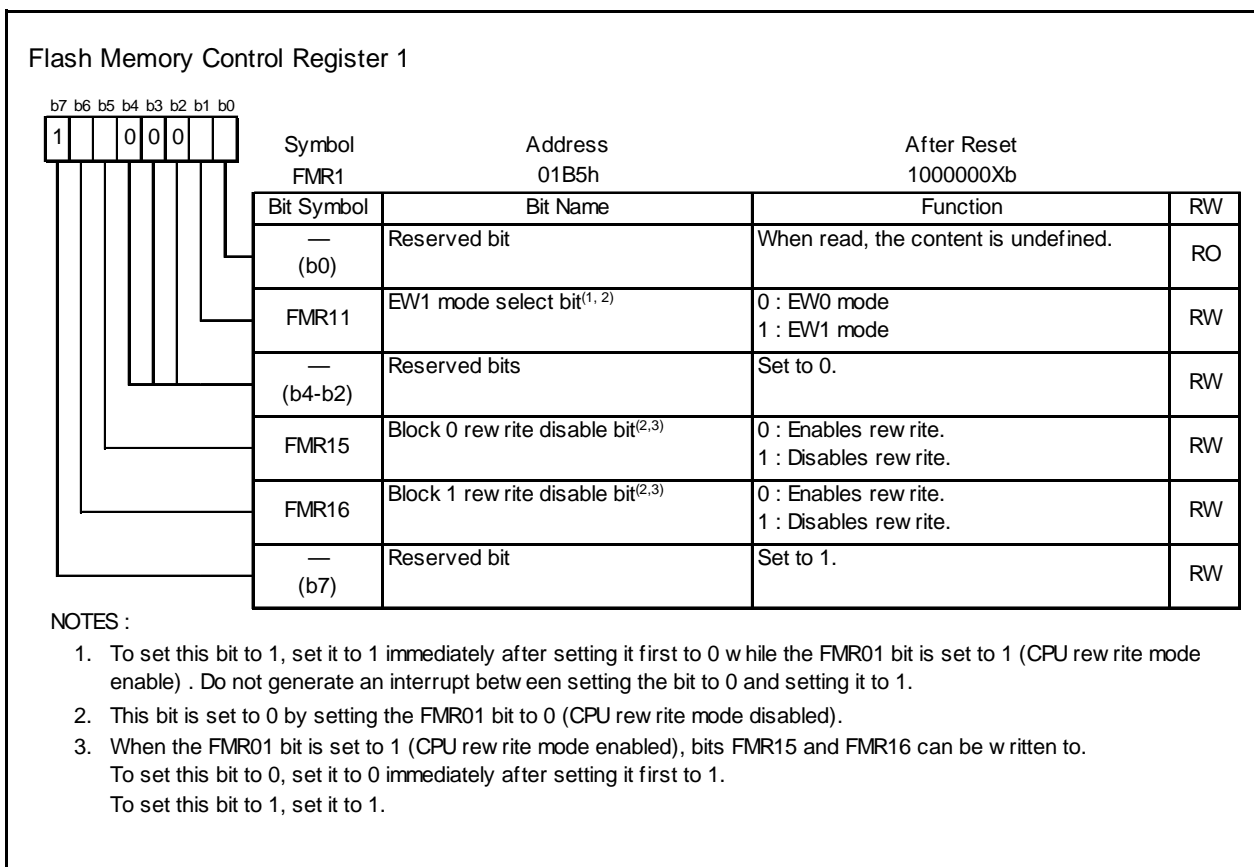


Figure 18.6 FMR1 Register

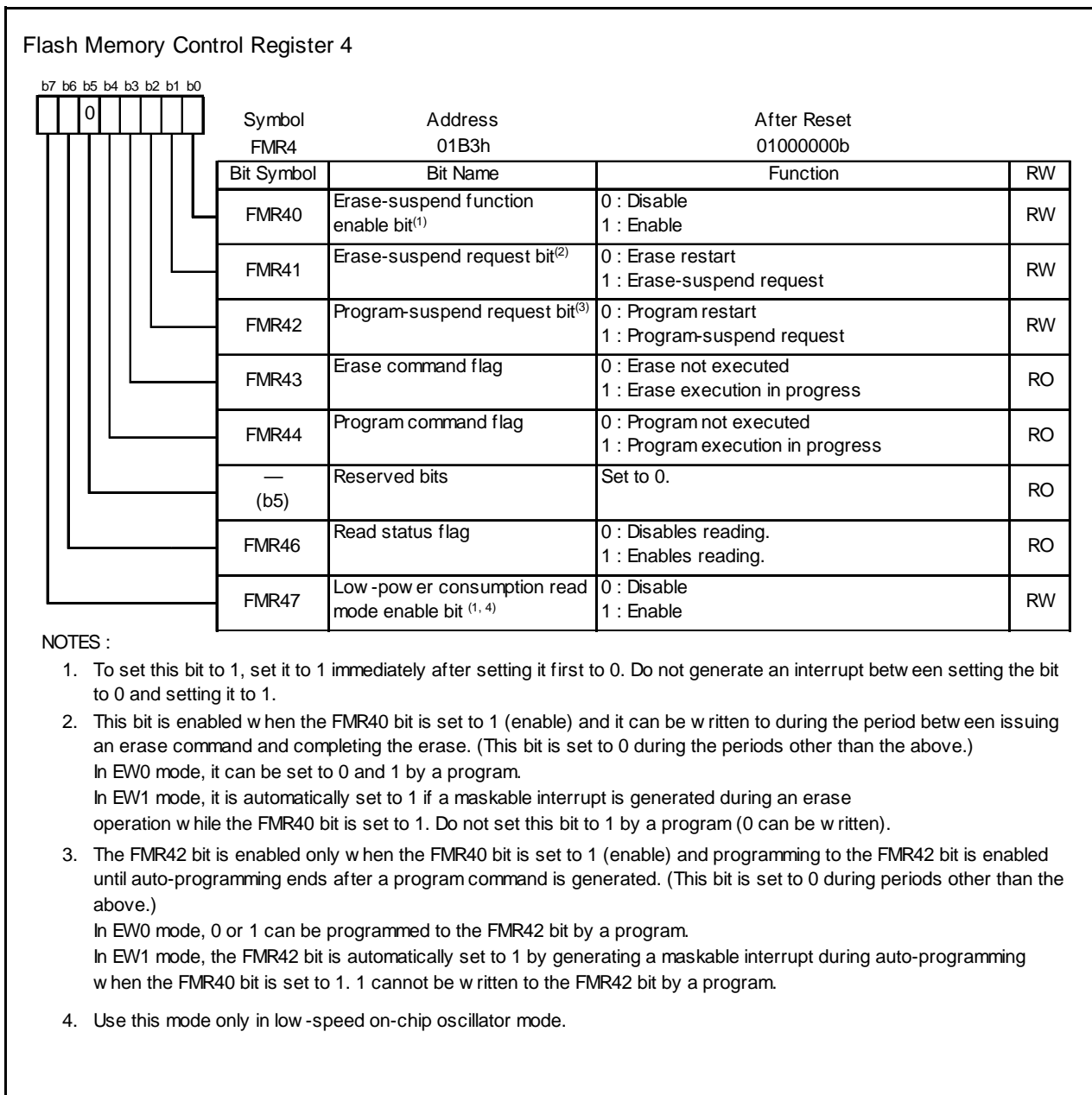


Figure 18.7 FMR4 Register

Figure 18.8 shows the Timing of Suspend Operation.

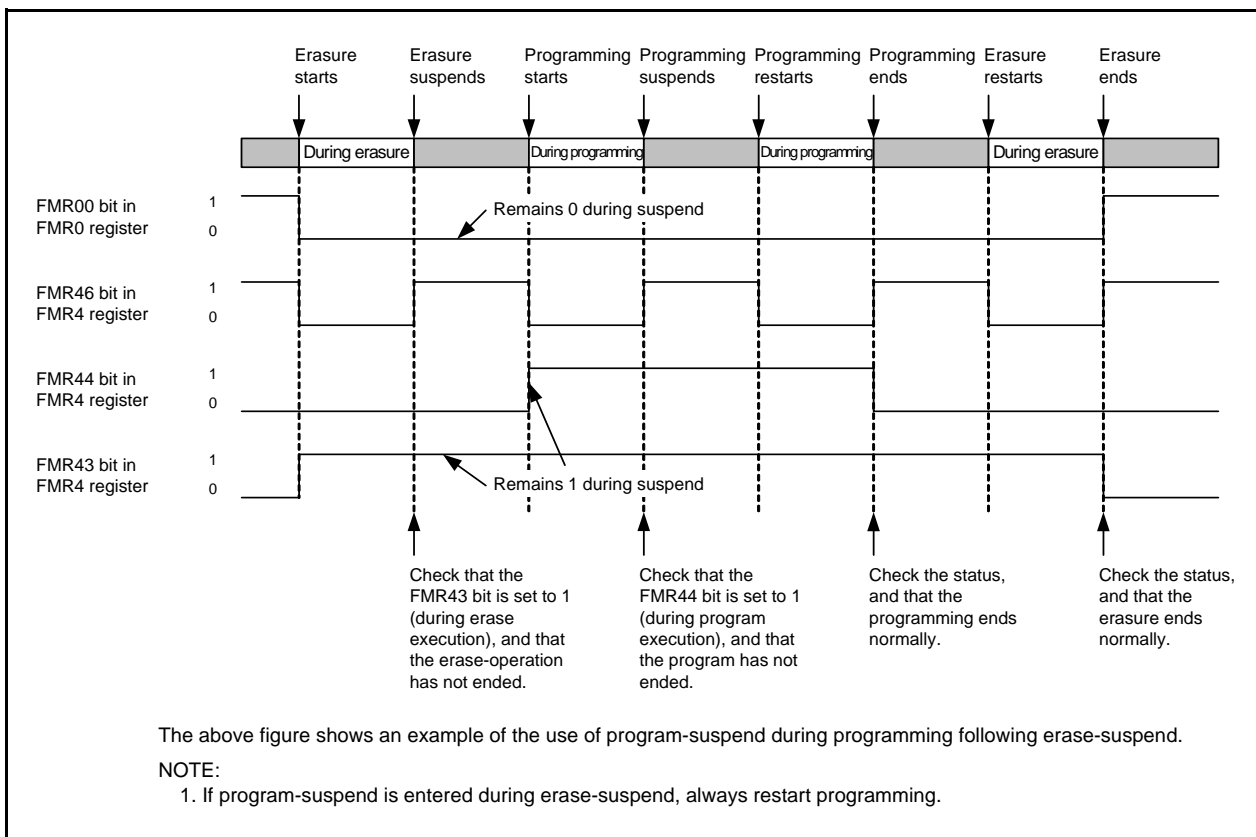


Figure 18.8 Timing of Suspend Operation

Figure 18.9 shows How to Set and Exit EW0 Mode. Figure 18.10 shows How to Set and Exit EW1 Mode.

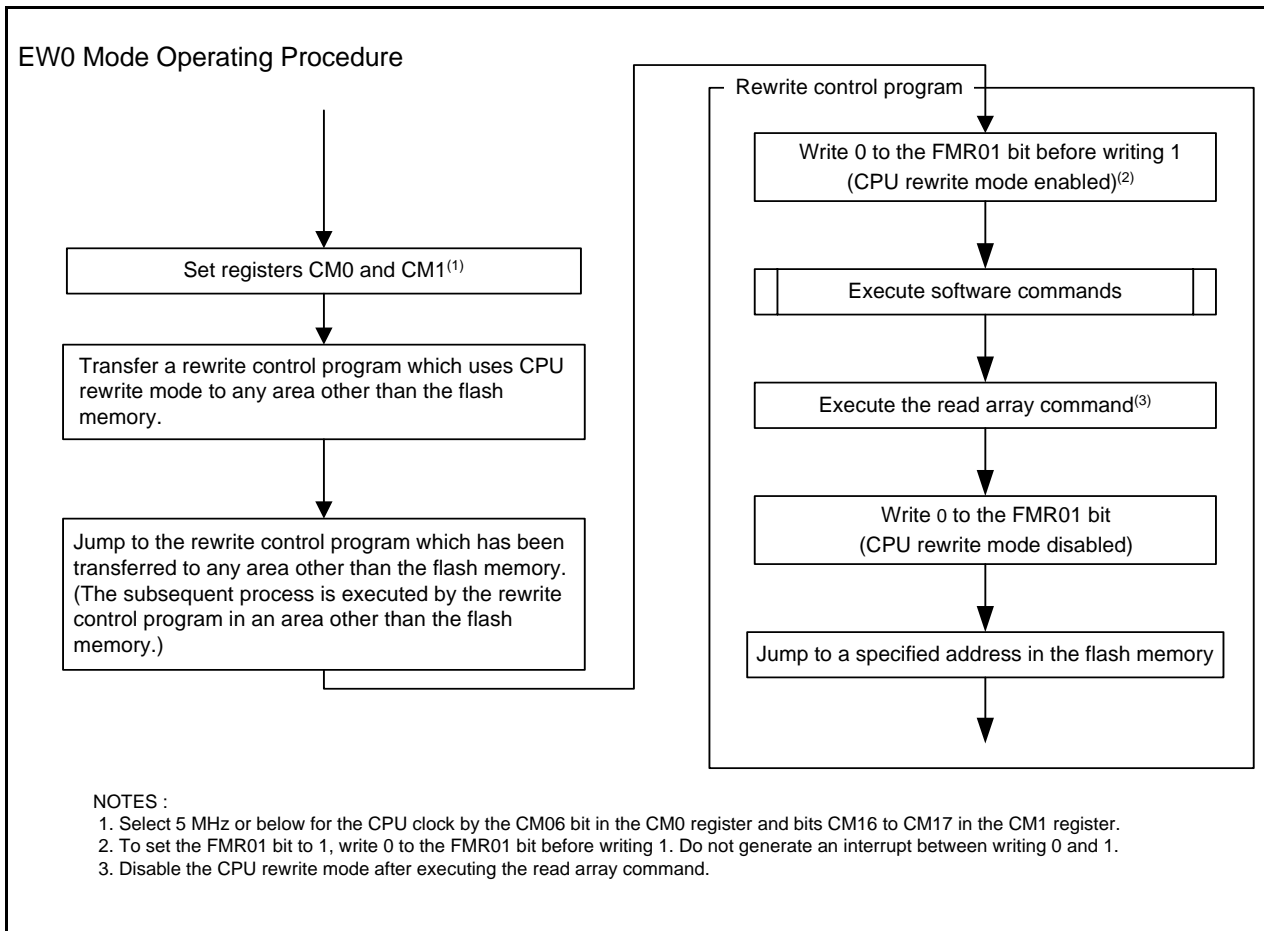


Figure 18.9 How to Set and Exit EW0 Mode

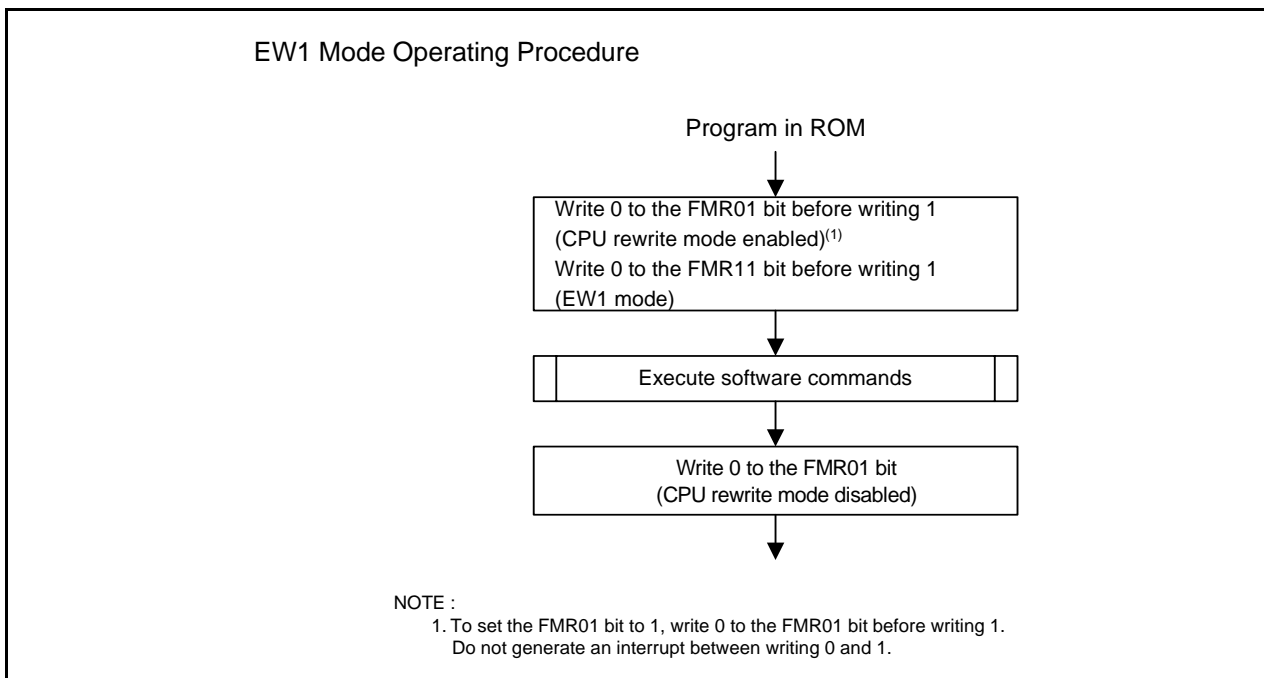


Figure 18.10 How to Set and Exit EW1 Mode

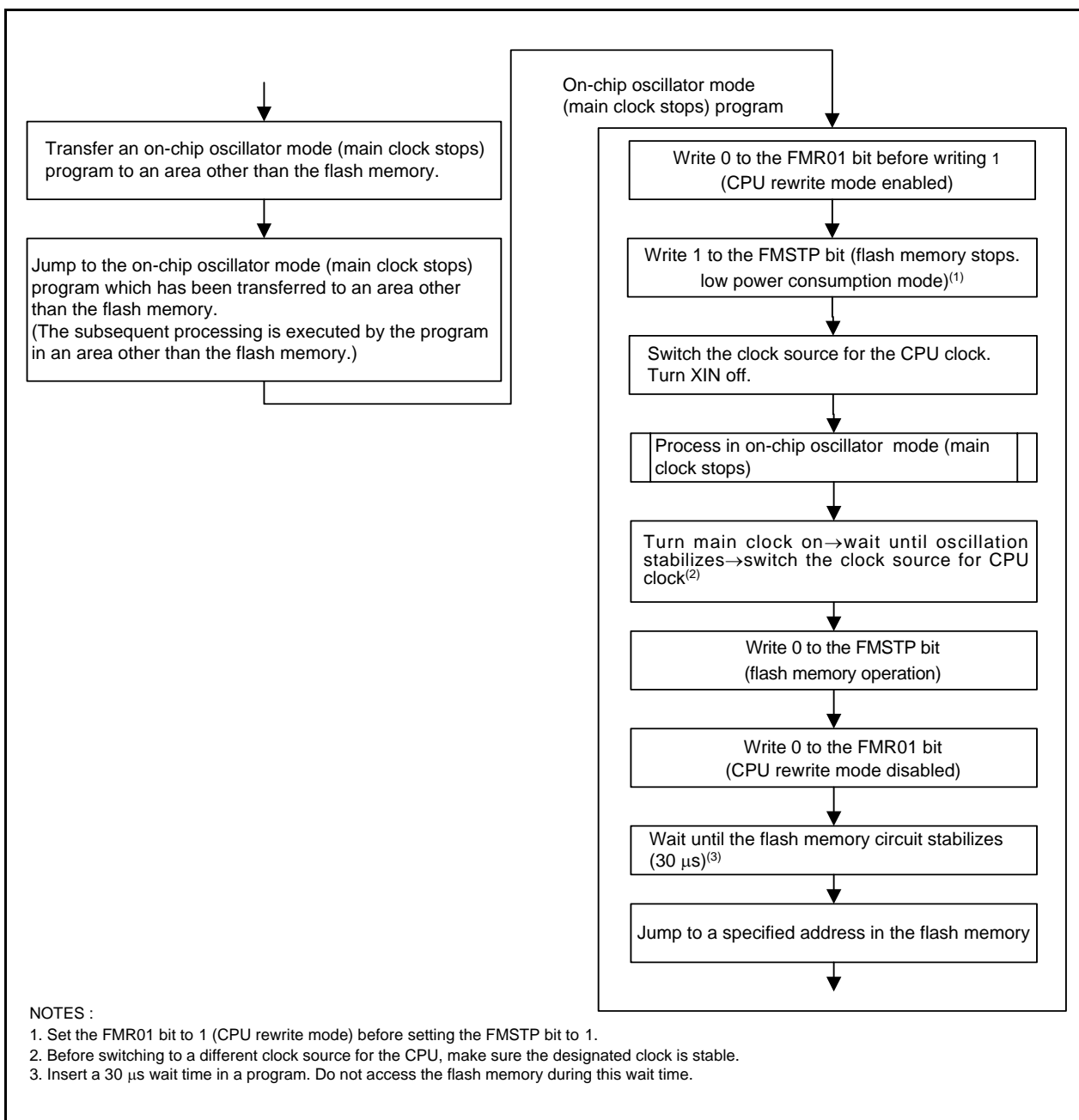


Figure 18.11 Process to Reduce Power Consumption in On-Chip Oscillator Mode (Main Clock Stops)

18.4.3 Software Commands

The software commands are described below. Read or write commands and data in 8-bit units.

Table 18.4 Software Commands

Command	First Bus Cycle			Second Bus Cycle		
	Mode	Address	Data (D7 to D0)	Mode	Address	Data (D7 to D0)
Read array	Write	x	FFh			
Read status register	Write	x	70h	Read	x	SRD
Clear status register	Write	x	50h			
Program	Write	WA	40h	Write	WA	WD
Block erase	Write	x	20h	Write	BA	D0h

SRD: Status register data (D7 to D0)

WA: Write address (ensure the address specified in the first bus cycle is the same address as the write address specified in the second bus cycle.)

WD: Write data (8 bits)

BA: Given block address

x: Any specified address in the user ROM area

18.4.3.1 Read Array Command

The read array command reads the flash memory.

The MCU enters read array mode when FFh is written in the first bus cycle. When the read address is entered in the following bus cycles, the content of the specified address can be read in 8-bit units.

Since the MCU remains in read array mode until another command is written, the contents of multiple addresses can be read continuously.

In addition, the MCU enters read array mode after a reset.

18.4.3.2 Read Status Register Command

The read status register command is used to read the status register.

When 70h is written in the first bus cycle, the status register can be read in the second bus cycle. (Refer to **18.4.4 Status Register**.) When reading the status register, specify an address in the user ROM area.

Do not execute this command in EW1 mode.

The MCU remains in read status register mode until the next read array command is written.

18.4.3.3 Clear Status Register Command

The clear status register command sets the status register to 0.

When 50h is written in the first bus cycle, bits FMR06 to FMR07 in the FMR0 register and SR4 to SR5 in the status register are set to 0.

18.4.3.4 Program Command

The program command writes data to the flash memory in 1-byte units.

By writing 40h in the first bus cycle and data to the write address in the second bus cycle, an auto-program operation (data program and verify) will start. Make sure the address value specified in the first bus cycle is the same address as the write address specified in the second bus cycle.

The FMR00 bit in the FMR0 register can be used to determine whether auto-programming has completed.

When suspend function disabled, the FMR00 bit is set to 0 during auto-programming and set to 1 when autoprogramming completes.

When suspend function enabled, the FMR44 bit is set to 1 during auto-programming and set to 0 when autoprogramming completes.

The FMR06 bit in the FMR0 register can be used to determine the result of auto-programming after it has been finished. (Refer to **18.4.5 Full Status Check.**)

Do not write additions to the already programmed addresses.

When the FMR02 bit in the FMR0 register is set to 0 (rewriting disabled), or the FMR02 bit is set to 1 (rewrite enabled) and the FMR15 bit in the FMR1 register is set to 1 (rewriting disabled), program commands targeting block 0 are not acknowledged. When the FMR16 bit is set to 1 (rewriting disabled), program commands targeting block 1 are not acknowledged.

Figure 18.12 shows Program Command (When Suspend Function Disabled). Figure 18.13 shows Program Command (When Suspend Function Enabled).

In EW1 mode, do not execute this command for any address which a rewrite control program is allocated.

In EW0 mode, the MCU enters read status register mode at the same time auto-programming starts and the status register can be read. The status register bit 7 (SR7) is set to 0 at the same time auto-programming starts and set back to 1 when auto-programming completes. In this case, the MCU remains in read status register mode until the next read array command is written. The status register can be read to determine the result of auto-programming after auto-programming has completed.

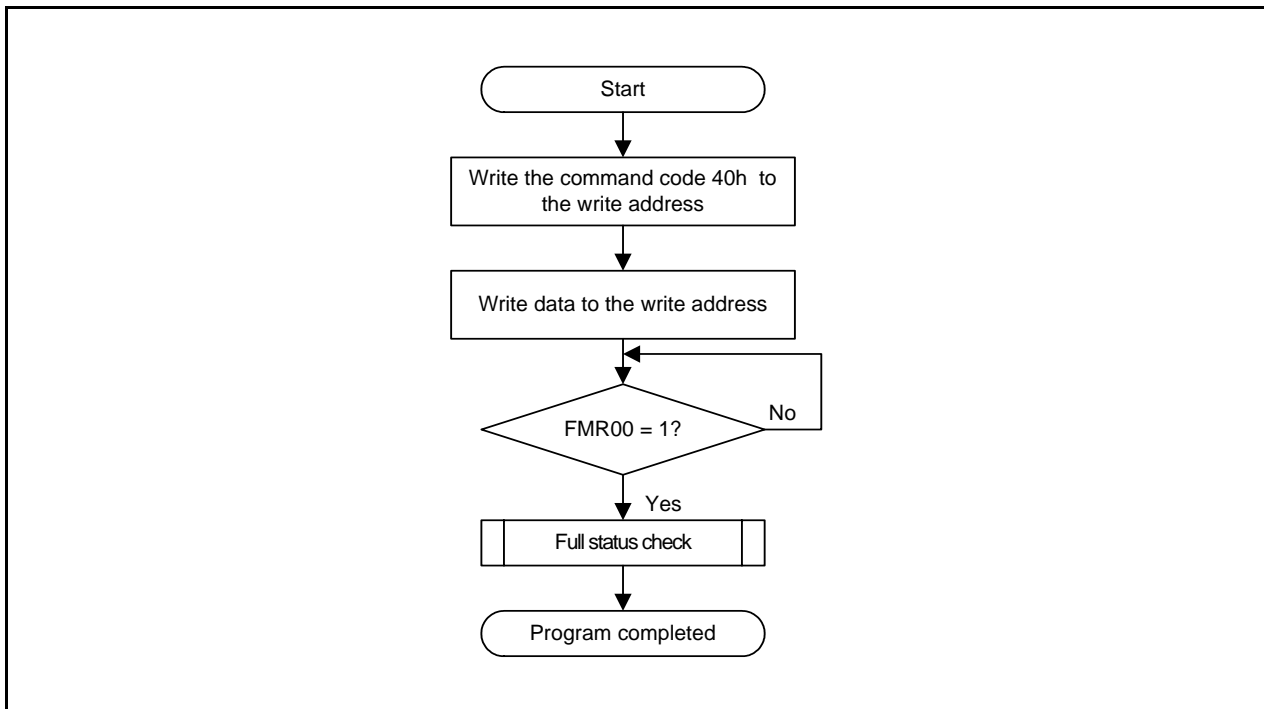


Figure 18.12 Program Command (When Suspend Function Disabled)

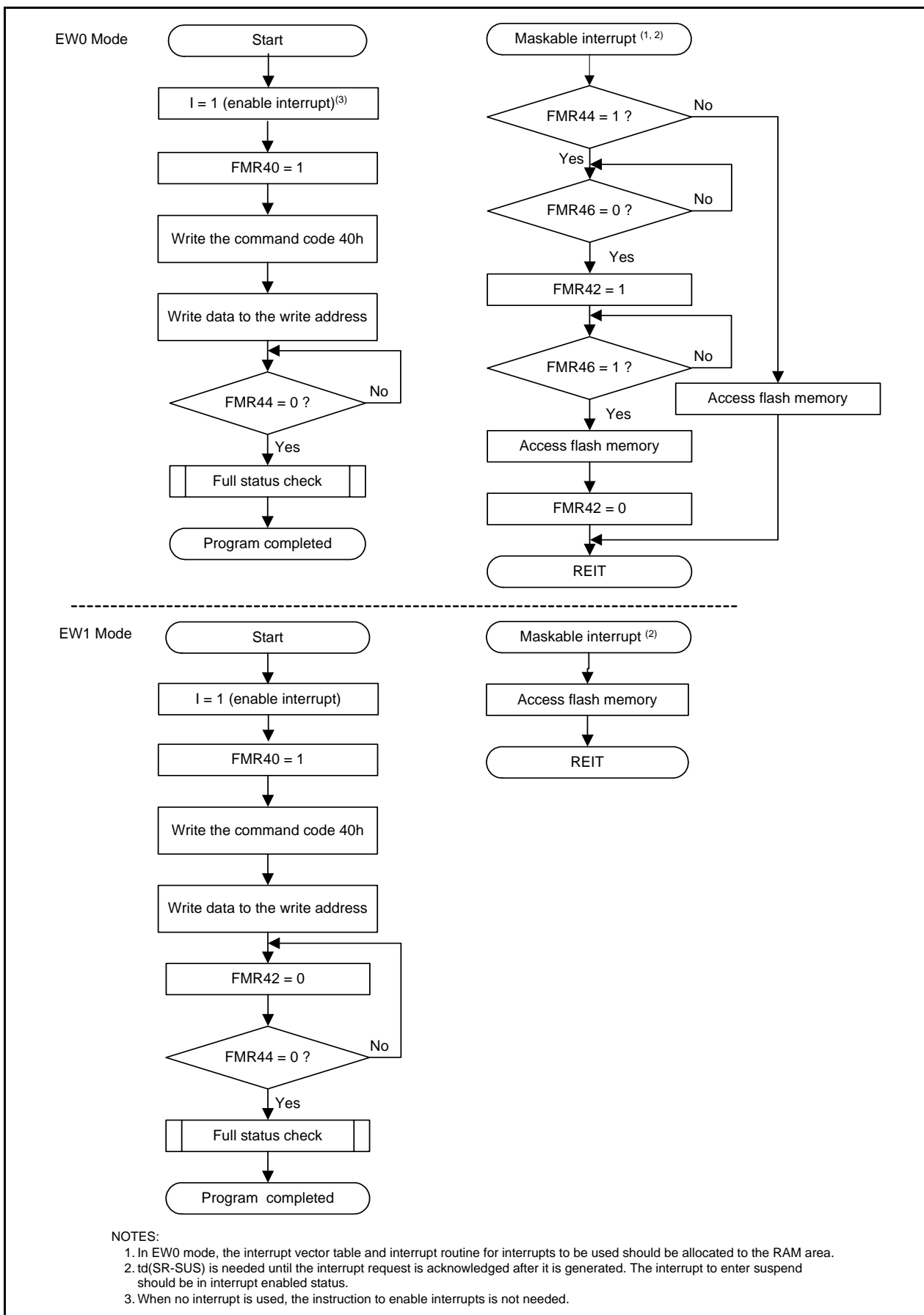


Figure 18.13 Program Command (When Suspend Function Enabled)

18.4.3.5 Block Erase

When 20h is written in the first bus cycle and D0h is written to a given address of a block in the second bus cycle, an auto-erase operation (erase and verify) of the specified block starts.

The FMR00 bit in the FMR0 register can be used to determine whether auto-erase has completed.

The FMR00 bit is set to 0 during auto-erase and set to 1 when auto-erase completes.

The FMR07 bit in the FMR0 register can be used to determine the result of auto-erase after auto-erase has completed. (Refer to **18.4.5 Full Status Check**.)

When the FMR02 bit in the FMR0 register is set to 0 (rewriting disabled) or the FMR02 bit is set to 1 (rewriting enabled) and the FMR15 bit in the FMR1 register is set to 1 (rewriting disabled), the block erase commands targeting block 0 are not acknowledged. When the FMR16 bit is set to 1 (rewriting disabled), the block erase commands targeting block 1 are not acknowledged.

Do not use the block erase command during program-suspend.

Figure 18.14 shows the Block Erase Command (When Erase-Suspend Function Disabled). Figure 18.15 shows the Block Erase Command (When Erase-Suspend Function Enabled).

In EW1 mode, do not execute this command for any address to which a rewrite control program is allocated.

In EW0 mode, the MCU enters read status register mode at the same time auto-erase starts and the status register can be read. The status register bit 7 (SR7) is set to 0 at the same time auto-erase starts and set back to 1 when auto-erase completes. In this case, the MCU remains in read status register mode until the next read array command is written.

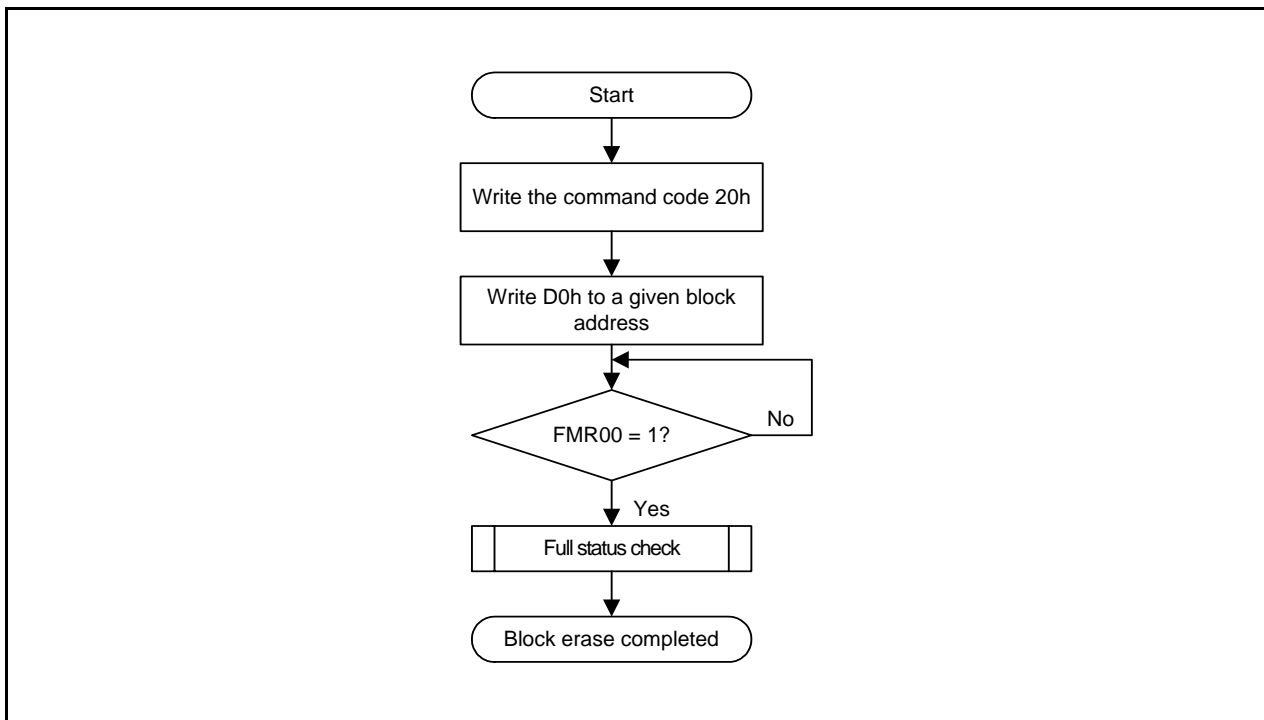


Figure 18.14 Block Erase Command (When Erase-Suspend Function Disabled)

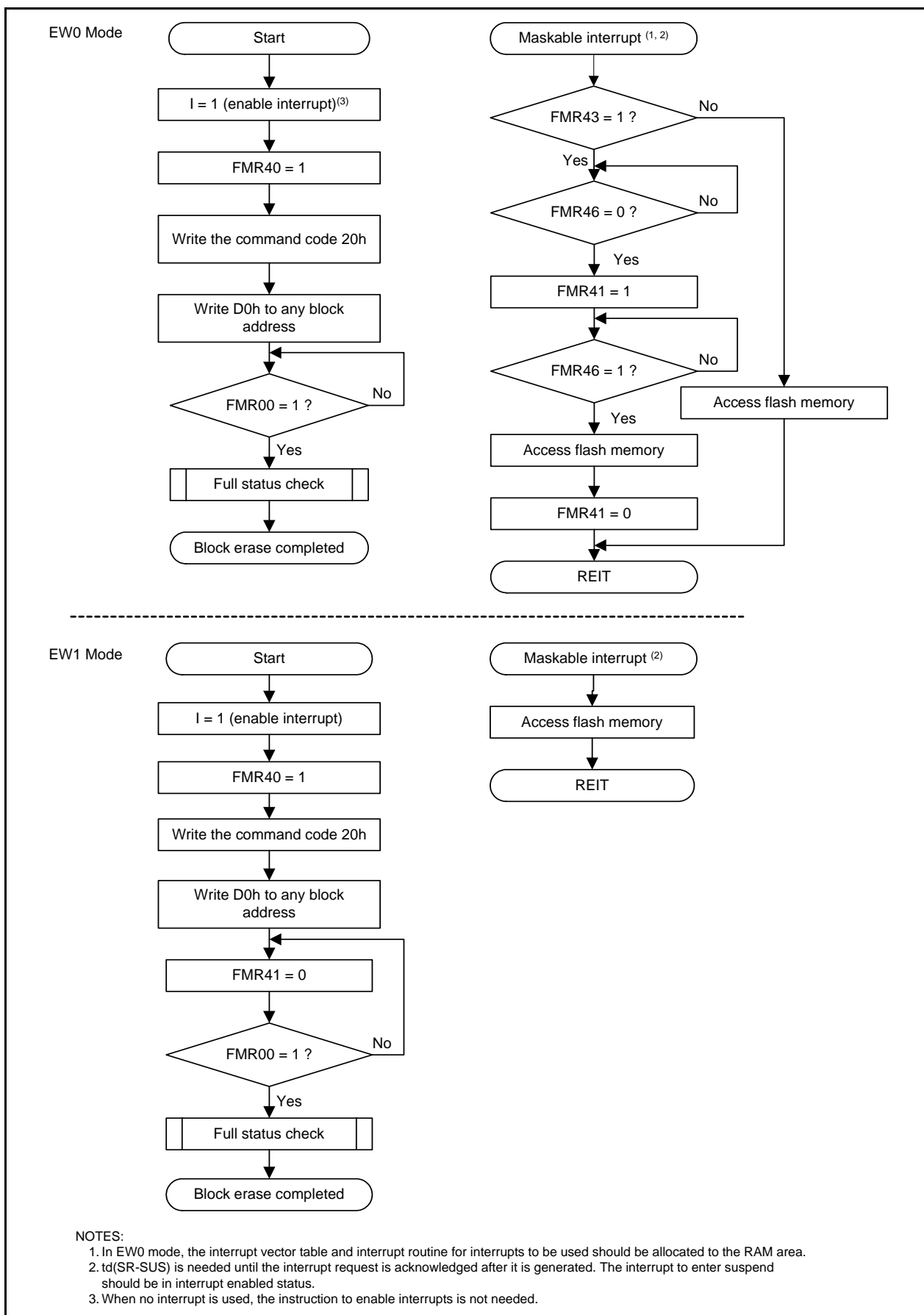


Figure 18.15 Block Erase Command (When Erase-Suspend Function Enabled)

18.4.4 Status Register

The status register indicates the operating status of the flash memory and whether an erase or program operation has completed normally or in error. Status of the status register can be read by bits FMR00, FMR06, and FMR07 in the FMR0 register.

Table 18.5 lists the Status Register Bits.

In EW0 mode, the status register can be read in the following cases:

- When a given address in the user ROM area is read after writing the read status register command
- When a given address in the user ROM area is read after executing program or block erase command but before executing the read array command.

18.4.4.1 Sequencer Status (Bits SR7 and FMR00)

The sequencer status bits indicate the operating status of the flash memory. SR7 is set to 0 (busy) during auto-programming and auto-erasure, and is set to 1 (ready) at the same time the operation completes.

18.4.4.2 Erase Status (Bits SR5 and FMR07)

Refer to 18.4.5 Full Status Check.

18.4.4.3 Program Status (Bits SR4 and FMR06)

Refer to 18.4.5 Full Status Check.

Table 18.5 Status Register Bits

Status Register Bit	FMR0 Register Bit	Status Name	Description		Value after Reset
			0	1	
SR0 (D0)	–	Reserved	–	–	–
SR1 (D1)	–	Reserved	–	–	–
SR2 (D2)	–	Reserved	–	–	–
SR3 (D3)	–	Reserved	–	–	–
SR4 (D4)	FMR06	Program status	Completed normally	Error	0
SR5 (D5)	FMR07	Erase status	Completed normally	Error	0
SR6 (D6)	–	Reserved	–	–	–
SR7 (D7)	FMR00	Sequencer status	Busy	Ready	1

D0 to D7: Indicate the data bus which is read when the read status register command is executed.

Bits FMR07 (SR5) to FMR06 (SR4) are set to 0 by executing the clear status register command.

When the FMR07 bit (SR5) or FMR06 bit (SR4) is set to 1, the program and block erase commands cannot be accepted.

18.4.5 Full Status Check

When an error occurs, bits FMR06 to FMR07 in the FMR0 register are set to 1, indicating the occurrence of an error. Therefore, checking these status bits (full status check) can be used to determine the execution result.

Table 18.6 lists the Errors and FMR0 Register Status. Figure 18.16 shows the Full Status Check and Handling Procedure for Individual Errors.

Table 18.6 Errors and FMR0 Register Status

FRM0 Register (Status Register) Status		Error	Error Occurrence Condition
FMR07(SR5)	FMR06(SR4)		
1	1	Command sequence error	<ul style="list-style-type: none"> • When a command is not written correctly. • When invalid data other than that which can be written in the second bus cycle of the block erase command is written (i.e., other than D0h or FFh).⁽¹⁾ • When the program command or block erase command is executed while rewriting is disabled by the FMR02 bit in the FMR0 register, or the FMR15 or FMR16 bit in the FMR1 register. • When an address not allocated in flash memory is input during erase command input. • When attempting to erase the block for which rewriting is disabled during erase command input. • When an address not allocated in flash memory is input during write command input. • When attempting to write the block for which rewriting is disabled during write command input.
1	0	Erase error	<ul style="list-style-type: none"> • When the block erase command is executed but auto-erasure does not complete correctly.
0	1	Program error	<ul style="list-style-type: none"> • When the program command is executed but not auto-programming does not complete correctly.

NOTE:

1. The MCU enters read array mode when FFh is written in the second bus cycle of these commands. At the same time, the command code written in the first bus cycle is disabled.

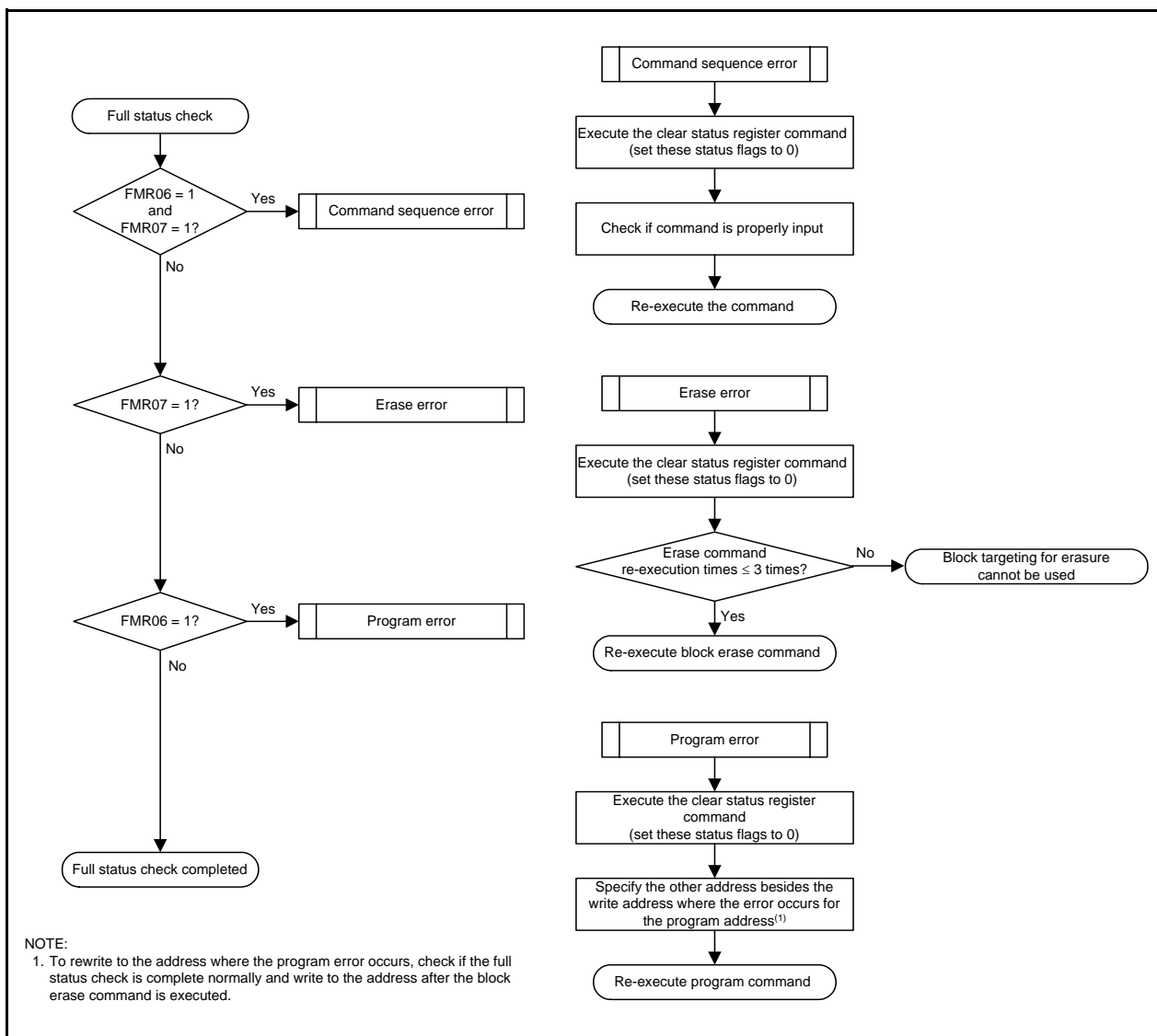


Figure 18.16 Full Status Check and Handling Procedure for Individual Errors

18.5 Standard Serial I/O Mode

In standard serial I/O mode, the user ROM area can be rewritten while the MCU is mounted on-board by using a serial programmer which is suitable for the MCU.

Standard serial I/O mode is used to connect with a serial programmer using a special clock asynchronous serial I/O. There are three standard serial I/O modes:

- Standard serial I/O mode 1 Clock synchronous serial I/O used to connect with a serial programmer
- Standard serial I/O mode 2 Clock asynchronous serial I/O used to connect with a serial programmer
- Standard serial I/O mode 3 Special clock asynchronous serial I/O used to connect with a serial programmer

This MCU uses standard serial I/O mode 2 and standard serial I/O mode 3.

Refer to **Appendix 2. Connection Examples between Serial Writer and On-Chip Debugging Emulator.** Contact the manufacturer of your serial programmer for additional information. Refer to the user's manual of your serial programmer for details on how to use it.

Table 18.7 lists the Pin Functions (Flash Memory Standard Serial I/O Mode 2), Table 18.8 lists the Pin Functions (Flash Memory Standard Serial I/O Mode 3). Figure 18.17 shows Pin Connections for Standard Serial I/O Mode 3. After processing the pins shown in Table 18.8 and rewriting the flash memory using a programmer, apply "H" to the MODE pin and reset the hardware to run a program in the flash memory in single-chip mode.

18.5.1 ID Code Check Function

The ID code check function determines whether the ID codes sent from the serial programmer and those written in the flash memory match (refer to **18.3 Functions to Prevent Rewriting of Flash Memory**).

Table 18.7 Pin Functions (Flash Memory Standard Serial I/O Mode 2)

Pin	Name	I/O	Description
VCC,VSS	Power input		Apply the voltage guaranteed for programming and erasure to the VCC pin and 0 V to the VSS pin.
RESET	Reset input	I	Reset input pin.
P4_6/XIN	P4_6 input/clock input	I	Connect a ceramic resonator or crystal oscillator between pins XIN and XOUT.
P4_7/XOUT	P4_7 input/clock output	I/O	
AVCC, AVSS	Analog power supply input	I	Connect AVSS to VSS and AVCC to VCC, respectively.
P1_0 to P1_7	Input port P1	I	Input "H" or "L" level signal or leave the pin open.
P3_3 to P3_5	Input port P3	I	Input "H" or "L" level signal or leave the pin open.
P4_2/VREF	Input port P4	I	Input "H" or "L" level signal or leave the pin open.
MODE	MODE	I/O	Input "L".
P3_7	TXD output	O	Serial data output pin.
P4_5	RXD input	I	Serial data input pin.

Table 18.8 Pin Functions (Flash Memory Standard Serial I/O Mode 3)

Pin	Name	I/O	Description
VCC,VSS	Power input		Apply the voltage guaranteed for programming and erasure to the VCC pin and 0 V to the VSS pin.
RESET	Reset input	I	Reset input pin.
P4_6/XIN	P4_6 input/clock input	I	Connect a ceramic resonator or crystal oscillator between pins XIN and XOUT when connecting external oscillator. Apply "H" and "L" or leave the pin open when using as input port
P4_7/XOUT	P4_7 input/clock output	I/O	
AVCC, AVSS	Analog power supply input	I	Connect AVSS to VSS and AVCC to VCC, respectively.
P1_0 to P1_7	Input port P1	I	Input "H" or "L" level signal or leave the pin open.
P3_3 to P3_5, P3_7	Input port P3	I	Input "H" or "L" level signal or leave the pin open.
P4_2/VREF, P4_5	Input port P4	I	Input "H" or "L" level signal or leave the pin open.
MODE	MODE	I/O	Serial data I/O pin. Connect to flash programmer.

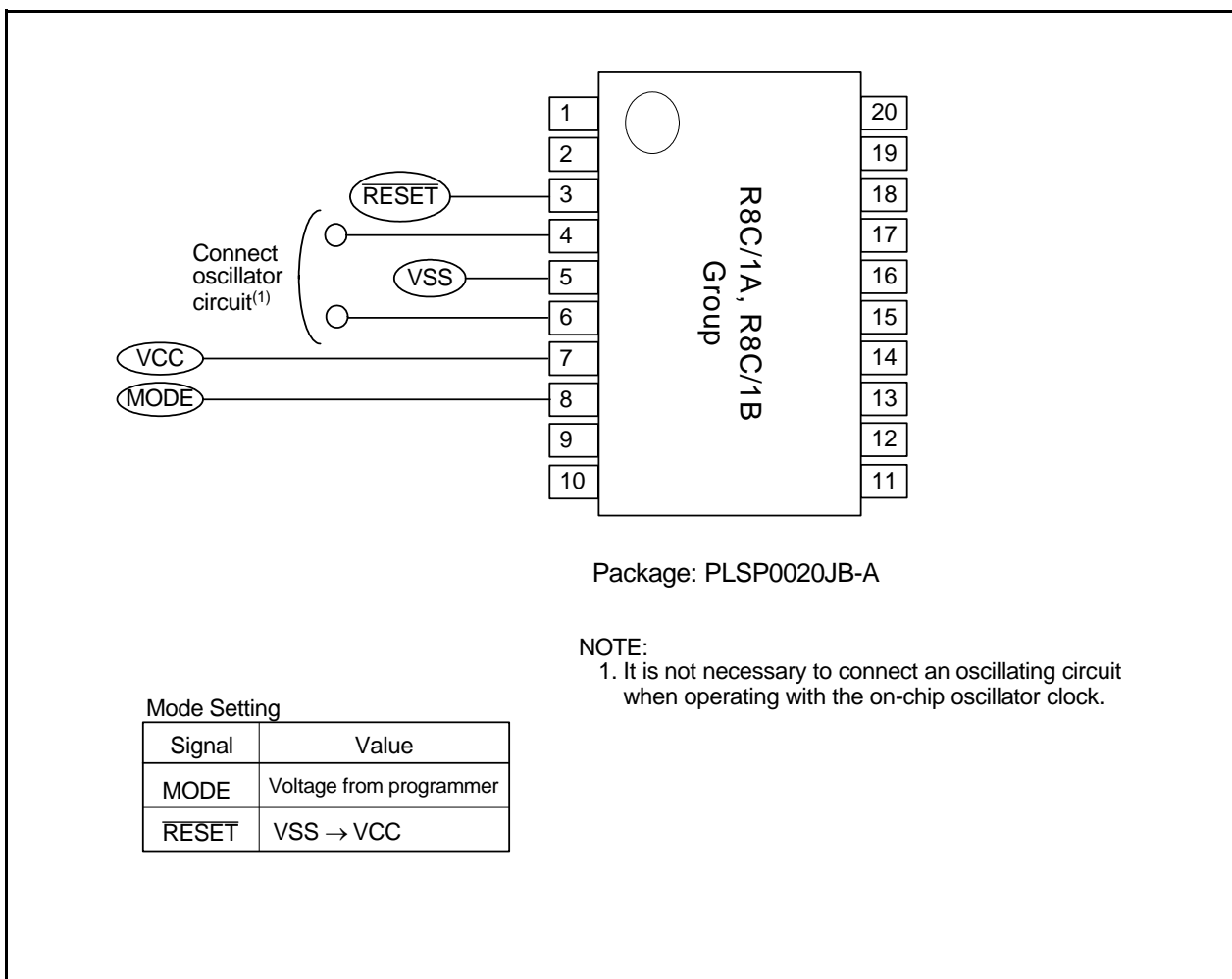


Figure 18.17 Pin Connections for Standard Serial I/O Mode 3

18.5.1.1 Example of Circuit Application in Standard Serial I/O Mode

Figure 18.18 shows an example of Pin Processing in Standard Serial I/O Mode 2, and Figure 18.19 shows Pin Processing in Standard Serial I/O Mode 3. Since the controlled pins vary depending on the programmer, refer to the manual of your serial programmer for details.

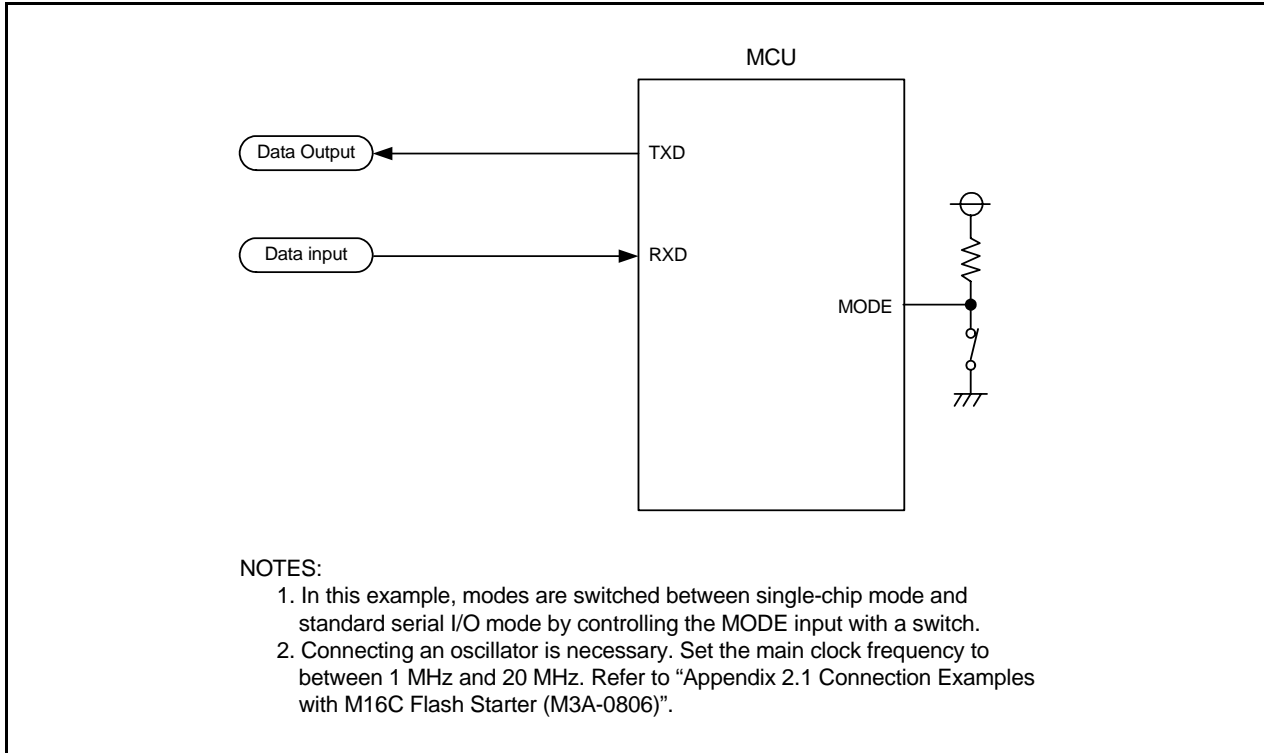


Figure 18.18 Pin Processing in Standard Serial I/O Mode 2

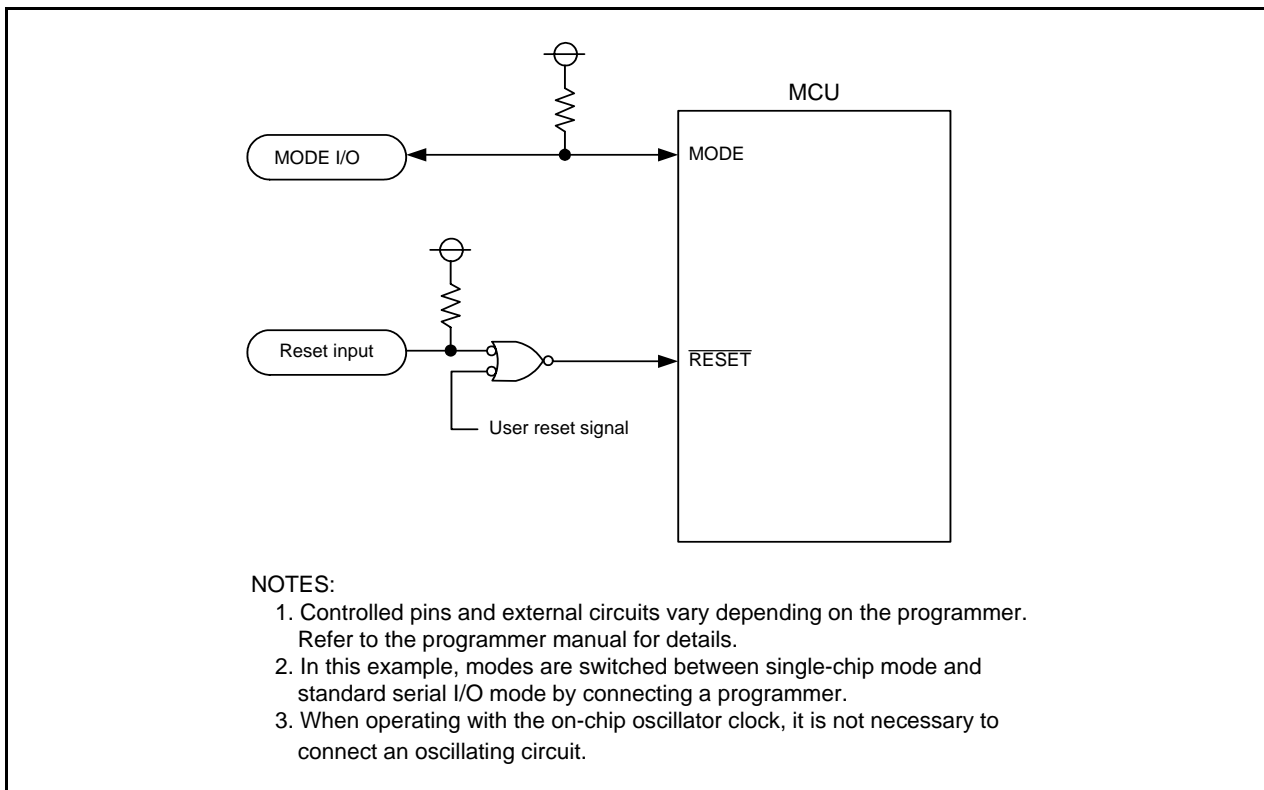


Figure 18.19 Pin Processing in Standard Serial I/O Mode 3

18.6 Parallel I/O Mode

Parallel I/O mode is used to input and output software commands, addresses, and data necessary to control (read, program, and erase) the on-chip flash memory. Use a parallel programmer which supports this MCU. Contact the manufacturer of the parallel programmer for more information, and refer to the user's manual of the parallel programmer for details on how to use it.

ROM areas shown in Figures 18.1 and 18.2 can be rewritten in parallel I/O mode.

18.6.1 ROM Code Protect Function

The ROM code protect function disables the reading and rewriting of the flash memory. (Refer to the **18.3 Functions to Prevent Rewriting of Flash Memory.**)

18.7 Notes on Flash Memory

18.7.1 CPU Rewrite Mode

18.7.1.1 Operating Speed

Before entering CPU rewrite mode (EW0 mode), select 5 MHz or below for the CPU clock using the CM06 bit in the CM0 register and bits CM16 to CM17 in the CM1 register. This does not apply to EW1 mode.

18.7.1.2 Prohibited Instructions

The following instructions cannot be used in EW0 mode because they reference data in the flash memory: UND, INTO, and BRK.

18.7.1.3 Interrupts

Table 18.9 lists the EW0 Mode Interrupts and Table 18.10 lists the EW1 Mode Interrupts.

Table 18.9 EW0 Mode Interrupts

Mode	Status	When Maskable Interrupt Request is Acknowledged	When Watchdog Timer, Oscillation Stop Detection and Voltage Monitor 2 Interrupt Request is Acknowledged
EW0	During auto-erase	Any interrupt can be used by allocating a vector in RAM	Once an interrupt request is acknowledged, auto-programming or auto-erase is forcibly stopped immediately and the flash memory is reset. Interrupt handling starts after the fixed period and the flash memory restarts. Since the block during auto-erase or the address during auto-programming is forcibly stopped, the normal value may not be read. Execute auto-erase again and ensure it completes normally. Since the watchdog timer does not stop during the command operation, interrupt requests may be generated. Reset the watchdog timer regularly.
	Auto-programming		

NOTES:

1. Do not use the address match interrupt while a command is being executed because the vector of the address match interrupt is allocated in ROM.
2. Do not use a non-maskable interrupt while block 0 is being automatically erased because the fixed vector is allocated in block 0.

Table 18.10 EW1 Mode Interrupts

Mode	Status	When Maskable Interrupt Request is Acknowledged	When Watchdog Timer, Oscillation Stop Detection and Voltage Monitor 2 Interrupt Request is Acknowledged
EW1	During auto-erasure (erase-suspend function enabled)	Auto-erasure is suspended after td(SR-SUS) and interrupt handling is executed. Auto-erasure can be restarted by setting the FMR41 bit in the FMR4 register to 0 (erase restart) after interrupt handling completes.	Once an interrupt request is acknowledged, auto-programming or auto-erasure is forcibly stopped immediately and the flash memory is reset. Interrupt handling starts after the fixed period and the flash memory restarts. Since the block during auto-erasure or the address during auto-programming is forcibly stopped, the normal value may not be read. Execute auto-erasure again and ensure it completes normally. Since the watchdog timer does not stop during the command operation, interrupt requests may be generated. Reset the watchdog timer regularly using the erase-suspend function.
	During auto-erasure (erase-suspend function disabled)	Auto-erasure has priority and the interrupt request acknowledgement is put on standby. Interrupt handling is executed after auto-erasure completes.	
	During auto-programming (program suspend function enabled)	Auto-programming is suspended after td(SR-SUS) and interrupt handling is executed. Auto-programming can be restarted by setting the FMR42 bit in the FMR4 register to 0 (program restart) after interrupt handling completes.	
	During auto-programming (program suspend function disabled)	Auto-programming has priority and the interrupt request acknowledgement is put on standby. Interrupt handling is executed after auto-programming completes.	

NOTES:

1. Do not use the address match interrupt while a command is executing because the vector of the address match interrupt is allocated in ROM.
2. Do not use a non-maskable interrupt while block 0 is being automatically erased because the fixed vector is allocated in block 0.

18.7.1.4 How to Access

Write 0 before writing 1 when setting the FMR01, FMR02, or FMR11 bit to 1. Do not generate an interrupt between writing 0 and 1.

18.7.1.5 Rewriting User ROM Area

In EW0 Mode, if the supply voltage drops while rewriting any block in which a rewrite control program is stored, it may not be possible to rewrite the flash memory because the rewrite control program cannot be rewritten correctly. In this case, use standard serial I/O mode.

18.7.1.6 Program

Do not write additions to the already programmed address.

18.7.1.7 Entering Stop Mode or Wait Mode

Do not enter stop mode or wait mode during erase-suspend.

19. Electrical Characteristics

Please contact Renesas Technology sales offices for the electrical characteristics in the Y version ($T_{opr} = -20^{\circ}\text{C}$ to 105°C).

Table 19.1 Absolute Maximum Ratings

Symbol	Parameter	Condition	Rated Value	Unit
V _{cc}	Supply voltage	V _{cc} = AV _{cc}	-0.3 to 6.5	V
AV _{cc}	Analog supply voltage	V _{cc} = AV _{cc}	-0.3 to 6.5	V
V _i	Input voltage		-0.3 to V _{cc} +0.3	V
V _o	Output voltage		-0.3 to V _{cc} +0.3	V
P _d	Power dissipation	T _{opr} = 25°C	300	mW
T _{opr}	Operating ambient temperature		-20 to 85 / -40 to 85 (D version)	°C
T _{stg}	Storage temperature		-65 to 150	°C

Table 19.2 Recommended Operating Conditions

Symbol	Parameter		Conditions	Standard			Unit	
				Min.	Typ.	Max.		
V _{cc}	Supply voltage			2.7	–	5.5	V	
AV _{cc}	Analog supply voltage			–	V _{cc}	–	V	
V _{ss}	Supply voltage			–	0	–	V	
AV _{ss}	Analog supply voltage			–	0	–	V	
V _{IH}	Input “H” voltage			0.8V _{cc}	–	V _{cc}	V	
V _{IL}	Input “L” voltage			0	–	0.2V _{cc}	V	
I _{OH(sum)}	Peak sum output “H” current	Sum of all pins I _{OH(peak)}		–	–	-60	mA	
I _{OH(peak)}	Peak output “H” current			–	–	-10	mA	
I _{OH(avg)}	Average output “H” current			–	–	-5	mA	
I _{OL(sum)}	Peak sum output “L” currents	Sum of all pins I _{OL(peak)}		–	–	60	mA	
I _{OL(peak)}	Peak output “L” currents	Except P1_0 to P1_3		–	–	10	mA	
		P1_0 to P1_3	Drive capacity HIGH	–	–	30	mA	
			Drive capacity LOW	–	–	10	mA	
I _{OL(avg)}	Average output “L” current	Except P1_0 to P1_3		–	–	5	mA	
		P1_0 to P1_3	Drive capacity HIGH	–	–	15	mA	
			Drive capacity LOW	–	–	5	mA	
f _(XIN)	Main clock input oscillation frequency		3.0 V ≤ V _{cc} ≤ 5.5 V	0	–	20	MHz	
			2.7 V ≤ V _{cc} < 3.0 V	0	–	10	MHz	
–	System clock	OCD2 = 0 Main clock selected	3.0 V ≤ V _{cc} ≤ 5.5 V	0	–	20	MHz	
			2.7 V ≤ V _{cc} < 3.0 V	0	–	10	MHz	
		OCD2 = 1 On-chip oscillator clock selected	HRA01 = 0 Low-speed on-chip oscillator clock selected	–	125	–	–	kHz
			HRA01 = 1 High-speed on-chip oscillator clock selected	–	8	–	–	MHz

NOTES:

- V_{cc} = 2.7 to 5.5 V at T_{opr} = -20 to 85 °C / -40 to 85 °C, unless otherwise specified.
- Typical values when average output current is 100 ms.

Table 19.3 A/D Converter Characteristics

Symbol	Parameter		Conditions	Standard			Unit
				Min.	Typ.	Max.	
–	Resolution		$V_{ref} = V_{CC}$	–	–	10	Bits
–	Absolute accuracy	10-bit mode	$\phi_{AD} = 10 \text{ MHz}, V_{ref} = V_{CC} = 5.0 \text{ V}$	–	–	± 3	LSB
		8-bit mode	$\phi_{AD} = 10 \text{ MHz}, V_{ref} = V_{CC} = 5.0 \text{ V}$	–	–	± 2	LSB
		10-bit mode	$\phi_{AD} = 10 \text{ MHz}, V_{ref} = V_{CC} = 3.3 \text{ V}^{(3)}$	–	–	± 5	LSB
		8-bit mode	$\phi_{AD} = 10 \text{ MHz}, V_{ref} = V_{CC} = 3.3 \text{ V}^{(3)}$	–	–	± 2	LSB
R_{ladder}	Resistor ladder		$V_{ref} = V_{CC}$	10	–	40	$k\Omega$
t_{conv}	Conversion time	10-bit mode	$\phi_{AD} = 10 \text{ MHz}, V_{ref} = V_{CC} = 5.0 \text{ V}$	3.3	–	–	μs
		8-bit mode	$\phi_{AD} = 10 \text{ MHz}, V_{ref} = V_{CC} = 5.0 \text{ V}$	2.8	–	–	μs
V_{ref}	Reference voltage			2.7	–	V_{CC}	V
V_{IA}	Analog input voltage ⁽⁴⁾			0	–	AV_{CC}	V
–	A/D operating clock frequency ⁽²⁾	Without sample and hold		0.25	–	10	MHz
		With sample and hold		1	–	10	MHz

NOTES:

1. $V_{CC} = AV_{CC} = 2.7$ to 5.5 V at $T_{opr} = -20$ to $85 \text{ }^\circ\text{C}$ / -40 to $85 \text{ }^\circ\text{C}$, unless otherwise specified.
2. If f_1 exceeds 10 MHz , divide f_1 and ensure the A/D operating clock frequency (ϕ_{AD}) is 10 MHz or below.
3. If AV_{CC} is less than 4.2 V , divide f_1 and ensure the A/D operating clock frequency (ϕ_{AD}) is $f_1/2$ or below.
4. When the analog input voltage is over the reference voltage, the A/D conversion result will be $3FFh$ in 10-bit mode and FFh in 8-bit mode.

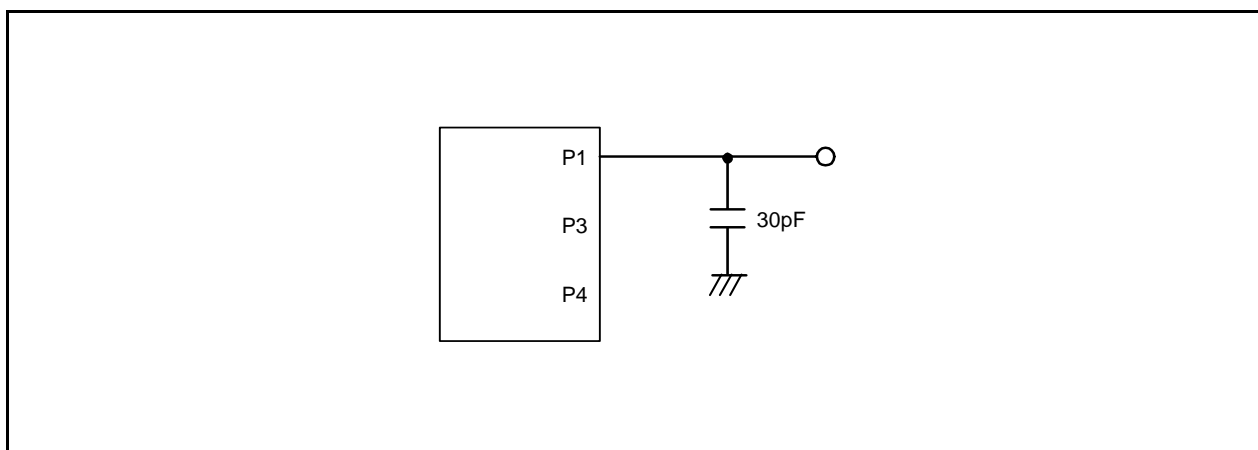
**Figure 19.1 Port P1, P3, and P4 Measurement Circuit**

Table 19.4 Flash Memory (Program ROM) Electrical Characteristics

Symbol	Parameter	Conditions	Standard			Unit
			Min.	Typ.	Max.	
–	Program/erase endurance ⁽²⁾	R8C/1A Group	100 ⁽³⁾	–	–	times
		R8C/1B Group	1,000 ⁽³⁾	–	–	times
–	Byte program time		–	50	400	μs
–	Block erase time		–	0.4	9	s
t _d (SR-SUS)	Time delay from suspend request until suspend		–	–	97+CPU clock × 6 cycles	μs
–	Interval from erase start/restart until following suspend request		650	–	–	μs
–	Interval from program start/restart until following suspend request		0	–	–	ns
–	Time from suspend until program/erase restart		–	–	3+CPU clock × 4 cycles	μs
–	Program, erase voltage		2.7	–	5.5	V
–	Read voltage		2.7	–	5.5	V
–	Program, erase temperature		0	–	60	°C
–	Data hold time ⁽⁸⁾	Ambient temperature = 55 °C	20	–	–	year

NOTES:

- V_{CC} = 2.7 to 5.5 V at T_{opr} = 0 to 60 °C, unless otherwise specified.
- Definition of programming/erasure endurance
The programming and erasure endurance is defined on a per-block basis.
If the programming and erasure endurance is n (n = 100 or 10,000), each block can be erased n times. For example, if 1,024 1-byte writes are performed to block A, a 1 Kbyte block, and then the block is erased, the programming/erasure endurance still stands at one. However, the same address must not be programmed more than once per erase operation (overwriting prohibited).
- Endurance to guarantee all electrical characteristics after program and erase. (1 to Min. value can be guaranteed).
- If emergency processing is required, a suspend request can be generated independent of this characteristic. In that case the normal time delay to suspend can be applied to the request. However, we recommend that a suspend request with an interval of less than 650 μs is only used once because, if the suspend state continues, erasure cannot operate and the incidence of erasure error rises.
- In a system that executes multiple programming operations, the actual erasure count can be reduced by writing to sequential addresses in turn so that as much of the block as possible is used up before performing an erase operation. For example, when programming groups of 16 bytes, the effective number of rewrites can be minimized by programming up to 128 groups before erasing them all in one operation. In addition, averaging the number of erase operations between block A and block B can further reduce the effective number of rewrites. It is also advisable to retain data on the erase count of each block and limit the number of erase operations to a certain number.
- If an error occurs during block erase, attempt to execute the clear status register command, then execute the block erase command at least three times until the erase error does not occur.
- Customers desiring programming/erasure failure rate information should contact their Renesas technical support representative.
- The data hold time includes time that the power supply is off or the clock is not supplied.

Table 19.5 Flash Memory (Data flash Block A, Block B) Electrical Characteristics

Symbol	Parameter	Conditions	Standard			Unit
			Min.	Typ.	Max.	
–	Program/erase endurance ⁽²⁾		10,000 ⁽³⁾	–	–	times
–	Byte program time (Program/erase endurance ≤ 1,000 times)		–	50	400	μs
–	Byte program time (Program/erase endurance > 1,000 times)		–	65	–	μs
–	Block erase time (Program/erase endurance ≤ 1,000 times)		–	0.2	9	s
–	Block erase time (Program/erase endurance > 1,000 times)		–	0.3	–	s
td(SR-SUS)	Time Delay from suspend request until suspend		–	–	97+CPU clock x 6 cycles	μs
–	Interval from erase start/restart until following suspend request		650	–	–	μs
–	Interval from program start/restart until following suspend request		0	–	–	ns
–	Time from suspend until program/erase restart		–	–	3+CPU clock x 4 cycles	μs
–	Program, erase voltage		2.7	–	5.5	V
–	Read voltage		2.7	–	5.5	V
–	Program, erase temperature		-20 ⁽⁸⁾	–	85	°C
–	Data hold time ⁽⁹⁾	Ambient temperature = 55 °C	20	–	–	year

NOTES:

- V_{CC} = 2.7 to 5.5 V at T_{opr} = –20 to 85 °C / –40 to 85 °C, unless otherwise specified.
- Definition of programming/erasure endurance
The programming and erasure endurance is defined on a per-block basis.
If the programming and erasure endurance is n (n = 100 or 10,000), each block can be erased n times. For example, if 1,024 1-byte writes are performed to block A, a 1 Kbyte block, and then the block is erased, the programming/erasure endurance still stands at one. However, the same address must not be programmed more than once per erase operation (overwriting prohibited).
- Endurance to guarantee all electrical characteristics after program and erase. (1 to Min. value can be guaranteed).
- If emergency processing is required, a suspend request can be generated independent of this characteristic. In that case the normal time delay to suspend can be applied to the request. However, we recommend that a suspend request with an interval of less than 650 μs is only used once because, if the suspend state continues, erasure cannot operate and the incidence of erasure error rises.
- In a system that executes multiple programming operations, the actual erasure count can be reduced by writing to sequential addresses in turn so that as much of the block as possible is used up before performing an erase operation. For example, when programming groups of 16 bytes, the effective number of rewrites can be minimized by programming up to 128 groups before erasing them all in one operation. It is also advisable to retain data on the erase count of each block and limit the number of erase operations to a certain number.
- If an error occurs during block erase, attempt to execute the clear status register command, then execute the block erase command at least three times until the erase error does not occur.
- Customers desiring programming/erasure failure rate information should contact their Renesas technical support representative.
- 40 °C for D version.
- The data hold time includes time that the power supply is off or the clock is not supplied.

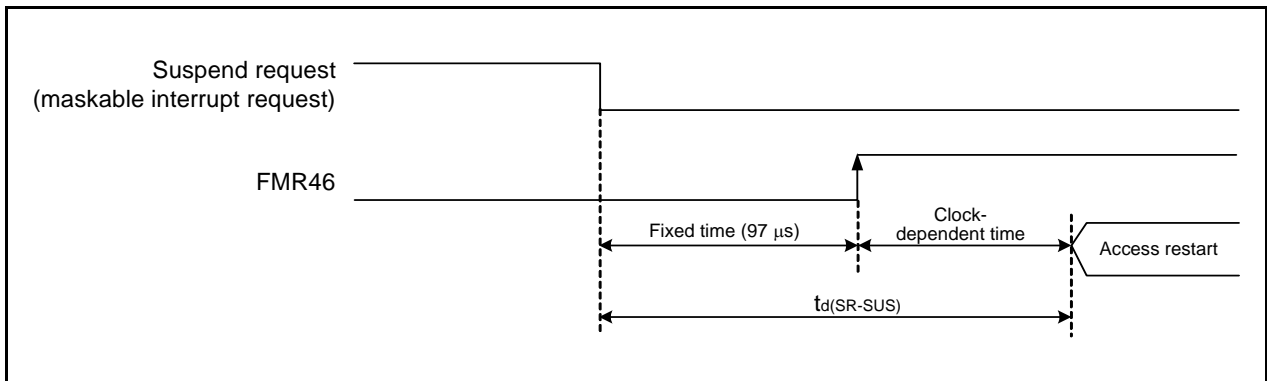


Figure 19.2 Transition Time to Suspend

Table 19.6 Voltage Detection 1 Circuit Electrical Characteristics

Symbol	Parameter	Condition	Standard			Unit
			Min.	Typ.	Max.	
V _{det1}	Voltage detection level ⁽³⁾		2.70	2.85	3.00	V
–	Voltage detection circuit self power consumption	VCA26 = 1, V _{CC} = 5.0 V	–	600	–	nA
t _d (E-A)	Waiting time until voltage detection circuit operation starts ⁽²⁾		–	–	100	μs
V _{ccmin}	MCU operating voltage minimum value		2.7	–	–	V

NOTES:

1. The measurement condition is V_{CC} = 2.7 V to 5.5 V and T_{opr} = -40°C to 85 °C.
2. Necessary time until the voltage detection circuit operates when setting to 1 again after setting the VCA26 bit in the VCA2 register to 0.
3. Ensure that V_{det2} > V_{det1}.

Table 19.7 Voltage Detection 2 Circuit Electrical Characteristics

Symbol	Parameter	Condition	Standard			Unit
			Min.	Typ.	Max.	
V _{det2}	Voltage detection level ⁽⁴⁾		3.00	3.30	3.60	V
–	Voltage monitor 2 interrupt request generation time ⁽²⁾		–	40	–	μs
–	Voltage detection circuit self power consumption	VCA27 = 1, V _{CC} = 5.0 V	–	600	–	nA
t _d (E-A)	Waiting time until voltage detection circuit operation starts ⁽³⁾		–	–	100	μs

NOTES:

1. The measurement condition is V_{CC} = 2.7 V to 5.5 V and T_{opr} = -40°C to 85 °C.
2. Time until the voltage monitor 2 interrupt request is generated after the voltage passes V_{det2}.
3. Necessary time until the voltage detection circuit operates when setting to 1 again after setting the VCA27 bit in the VCA2 register to 0.
4. Ensure that V_{det2} > V_{det1}.

Table 19.8 Reset Circuit Electrical Characteristics (When Using Voltage Monitor 1 Reset)

Symbol	Parameter	Condition	Standard			Unit
			Min.	Typ.	Max.	
V _{por2}	Power-on reset valid voltage	-20°C ≤ Topr ≤ 85°C	–	–	V _{det1}	V
t _w (V _{por2} -V _{det1})	Supply voltage rising time when power-on reset is deasserted ⁽¹⁾	-20°C ≤ Topr ≤ 85°C, t _w (por2) ≥ 0s ⁽³⁾	–	–	100	ms

NOTES:

1. This condition is not applicable when using with V_{cc} ≥ 1.0 V.
2. When turning power on after the time to hold the external power below effective voltage (V_{por1}) exceeds 10 s, refer to **Table 19.9 Reset Circuit Electrical Characteristics (When Not Using Voltage Monitor 1 Reset)**.
3. t_w(por2) is the time to hold the external power below effective voltage (V_{por2}).

Table 19.9 Reset Circuit Electrical Characteristics (When Not Using Voltage Monitor 1 Reset)

Symbol	Parameter	Condition	Standard			Unit
			Min.	Typ.	Max.	
V _{por1}	Power-on reset valid voltage	-20°C ≤ Topr ≤ 85°C	–	–	0.1	V
t _w (V _{por1} -V _{det1})	Supply voltage rising time when power-on reset is deasserted	0°C ≤ Topr ≤ 85°C, t _w (por1) ≥ 10 s ⁽²⁾	–	–	100	ms
t _w (V _{por1} -V _{det1})	Supply voltage rising time when power-on reset is deasserted	-20°C ≤ Topr < 0°C, t _w (por1) ≥ 30 s ⁽²⁾	–	–	100	ms
t _w (V _{por1} -V _{det1})	Supply voltage rising time when power-on reset is deasserted	-20°C ≤ Topr < 0°C, t _w (por1) ≥ 10 s ⁽²⁾	–	–	1	ms
t _w (V _{por1} -V _{det1})	Supply voltage rising time when power-on reset is deasserted	0°C ≤ Topr ≤ 85°C, t _w (por1) ≥ 1 s ⁽²⁾	–	–	0.5	ms

NOTES:

1. When not using voltage monitor 1, use with V_{cc} ≥ 2.7 V.
2. t_w(por1) is the time to hold the external power below effective voltage (V_{por1}).

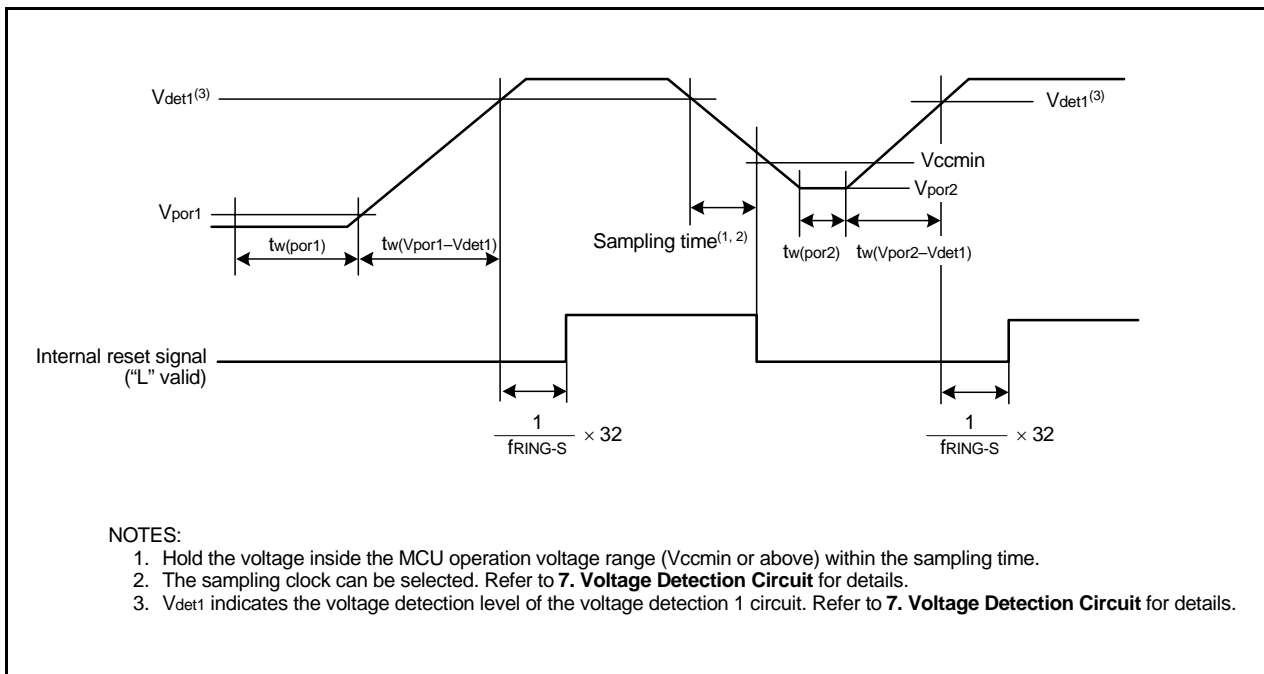
**Figure 19.3 Reset Circuit Electrical Characteristics**

Table 19.10 High-Speed On-Chip Oscillator Circuit Electrical Characteristics

Symbol	Parameter	Condition	Standard			Unit
			Min.	Typ.	Max.	
–	High-speed on-chip oscillator frequency when the reset is deasserted	$V_{CC} = 5.0\text{ V}$, $T_{opr} = 25\text{ }^{\circ}\text{C}$	–	8	–	MHz
–	High-speed on-chip oscillator frequency temperature • supply voltage dependence ⁽²⁾	0 to +60 °C/5 V \pm 5 % ⁽³⁾	7.76	–	8.24	MHz
		-20 to +85 °C/2.7 to 5.5 V ⁽³⁾	7.68	–	8.32	MHz
		-40 to +85 °C/2.7 to 5.5 V ⁽³⁾	7.44	–	8.32	MHz

NOTES:

1. The measurement condition is $V_{CC} = 5.0\text{ V}$ and $T_{opr} = 25\text{ }^{\circ}\text{C}$.
2. Refer to **10.6.5 High-Speed On-Chip Oscillator Clock** for notes on high-speed on-chip oscillator clock.
3. The standard value shows when the HRA1 register is assumed as the value in shipping and the HRA2 register value is set to 00h.

Table 19.11 Power Supply Circuit Timing Characteristics

Symbol	Parameter	Condition	Standard			Unit
			Min.	Typ.	Max.	
$t_{d(P-R)}$	Time for internal power supply stabilization during power-on ⁽²⁾		1	–	2000	μs
$t_{d(R-S)}$	STOP exit time ⁽³⁾		–	–	150	μs

NOTES:

1. The measurement condition is $V_{CC} = 2.7\text{ to }5.5\text{ V}$ and $T_{opr} = 25\text{ }^{\circ}\text{C}$.
2. Waiting time until the internal power supply generation circuit stabilizes during power-on.
3. Time until CPU clock supply starts after the interrupt is acknowledged to exit stop mode.

Table 19.12 Timing Requirements of Clock Synchronous Serial I/O with Chip Select⁽¹⁾

Symbol	Parameter	Conditions	Standard			Unit
			Min.	Typ.	Max.	
tsUCYC	SSCK clock cycle time		4	–	–	tcYC ⁽²⁾
tHI	SSCK clock "H" width		0.4	–	0.6	tsUCYC
tLO	SSCK clock "L" width		0.4	–	0.6	tsUCYC
tRISE	SSCK clock rising time	Master	–	–	1	tcYC ⁽²⁾
		Slave	–	–	1	μs
tFALL	SSCK clock falling time	Master	–	–	1	tcYC ⁽²⁾
		Slave	–	–	1	μs
tsU	SSO, SSI data input setup time		100	–	–	ns
tH	SSO, SSI data input hold time		1	–	–	tcYC ⁽²⁾
tLEAD	$\overline{\text{SCS}}$ setup time	Slave	1tcYC+50	–	–	ns
tLAG	$\overline{\text{SCS}}$ hold time	Slave	1tcYC+50	–	–	ns
tOD	SSO, SSI data output delay time		–	–	1	tcYC ⁽²⁾
tSA	SSI slave access time		–	–	1.5tcYC+100	ns
tOR	SSI slave out open time		–	–	1.5tcYC+100	ns

NOTES:

1. $V_{CC} = 2.7$ to $5.5V$, $V_{SS} = 0V$ at $T_a = -20$ to 85°C / -40 to 85°C , unless otherwise specified.
2. $1tcYC = 1/f_1(s)$

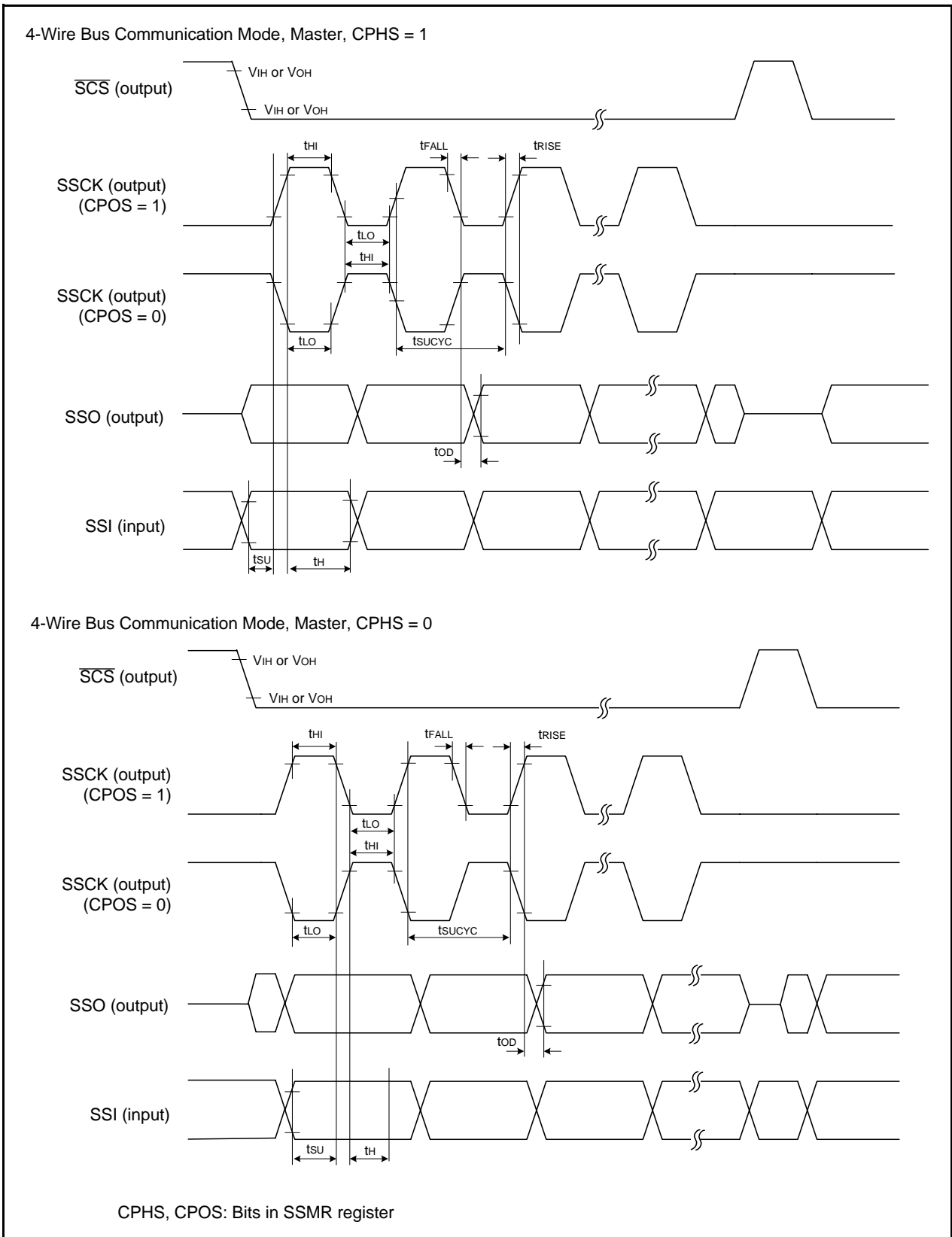


Figure 19.4 I/O Timing of Clock Synchronous Serial I/O with Chip Select (Master)

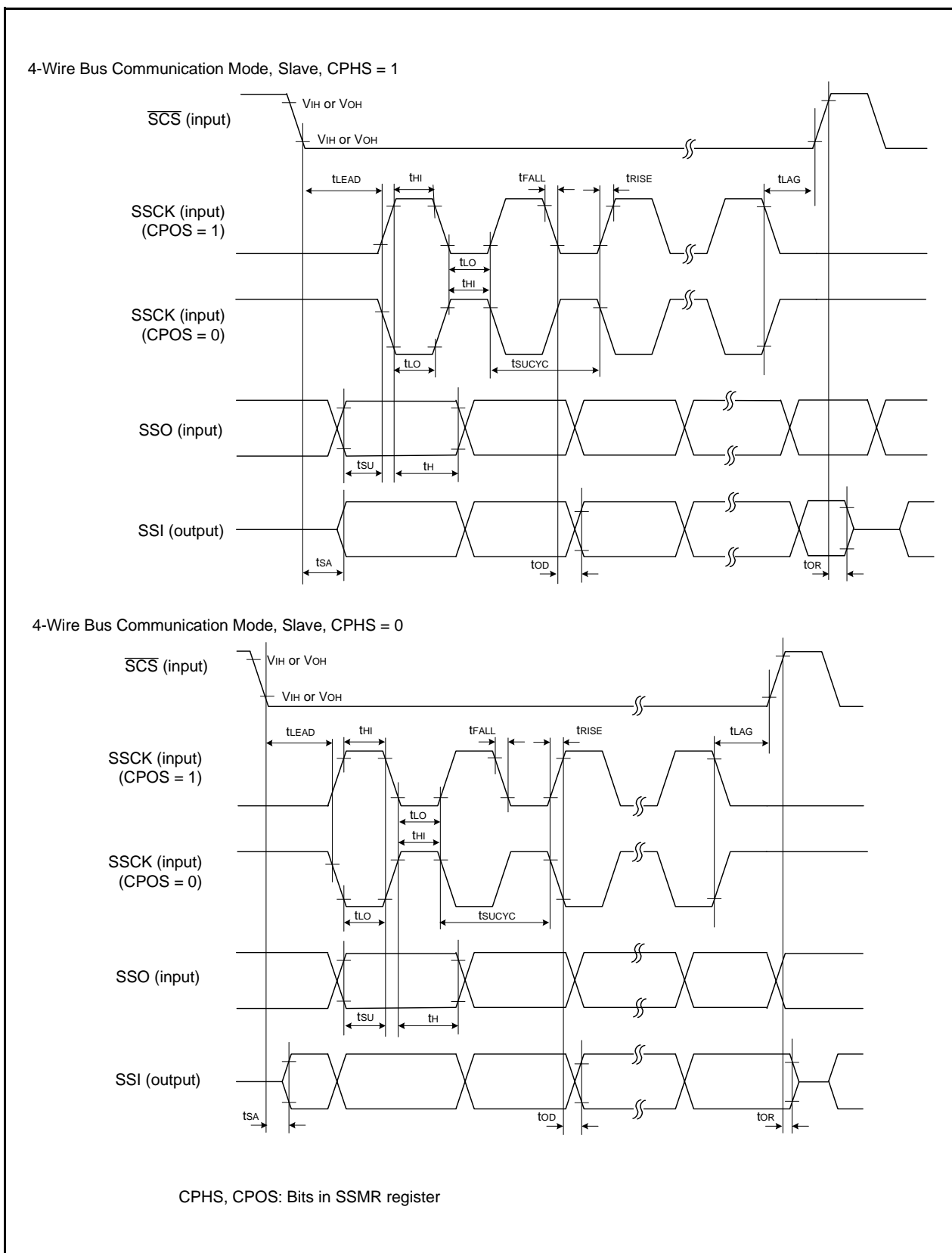


Figure 19.5 I/O Timing of Clock Synchronous Serial I/O with Chip Select (Slave)

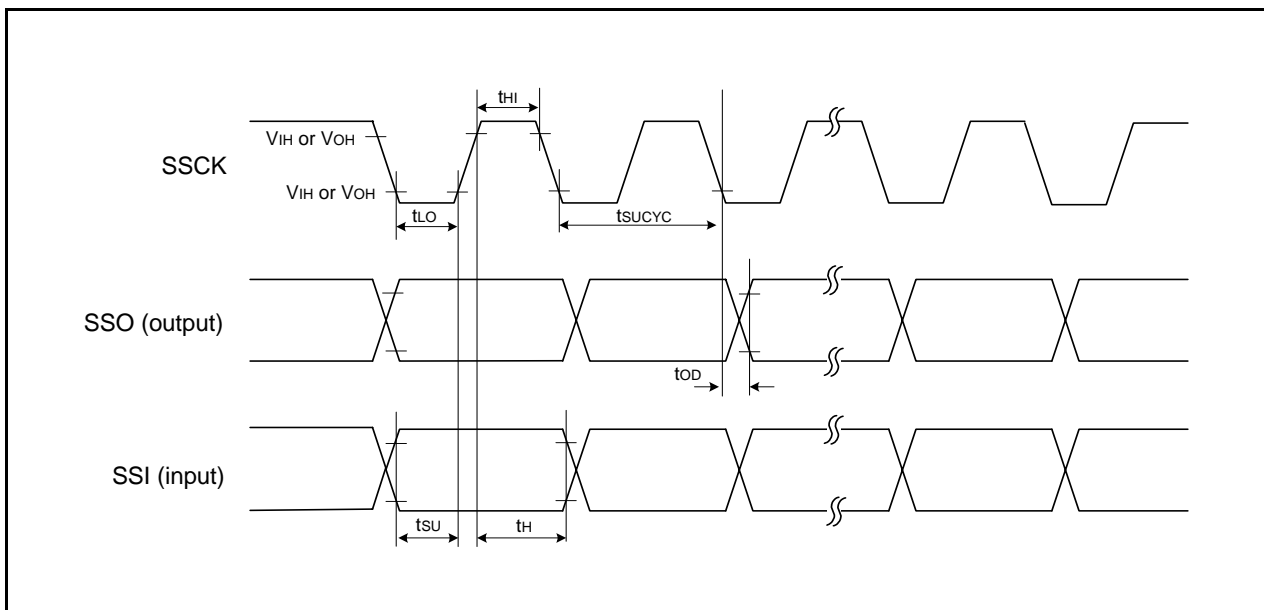


Figure 19.6 I/O Timing of Clock Synchronous Serial I/O with Chip Select (Clock Synchronous Communication Mode)

Table 19.13 Timing Requirements of I²C bus Interface (1)

Symbol	Parameter	Condition	Standard			Unit
			Min.	Typ.	Max.	
tSCL	SCL input cycle time		12tcyc+600 ⁽²⁾	–	–	ns
tSCLH	SCL input “H” width		3tcyc+300 ⁽²⁾	–	–	ns
tSCLL	SCL input “L” width		5tcyc+300 ⁽²⁾	–	–	ns
tsf	SCL, SDA input fall time		–	–	300	ns
tSP	SCL, SDA input spike pulse rejection time		–	–	1tcyc ⁽²⁾	ns
tBUF	SDA input bus-free time		5tcyc ⁽²⁾	–	–	ns
tSTAH	Start condition input hold time		3tcyc ⁽²⁾	–	–	ns
tSTAS	Retransmit start condition input setup time		3tcyc ⁽²⁾	–	–	ns
tSTOS	Stop condition input setup time		3tcyc ⁽²⁾	– <td –	ns	
tSDAS	Data input setup time		1tcyc+20 ⁽²⁾	–	–	ns
tSDAH	Data input hold time		0	–	–	ns

NOTES:

1. V_{CC} = 2.7 to 5.5 V, V_{SS} = 0 V and Ta = -20 to 85 °C / -40 to 85 °C, unless otherwise specified.
2. 1tcyc = 1/f1(s)

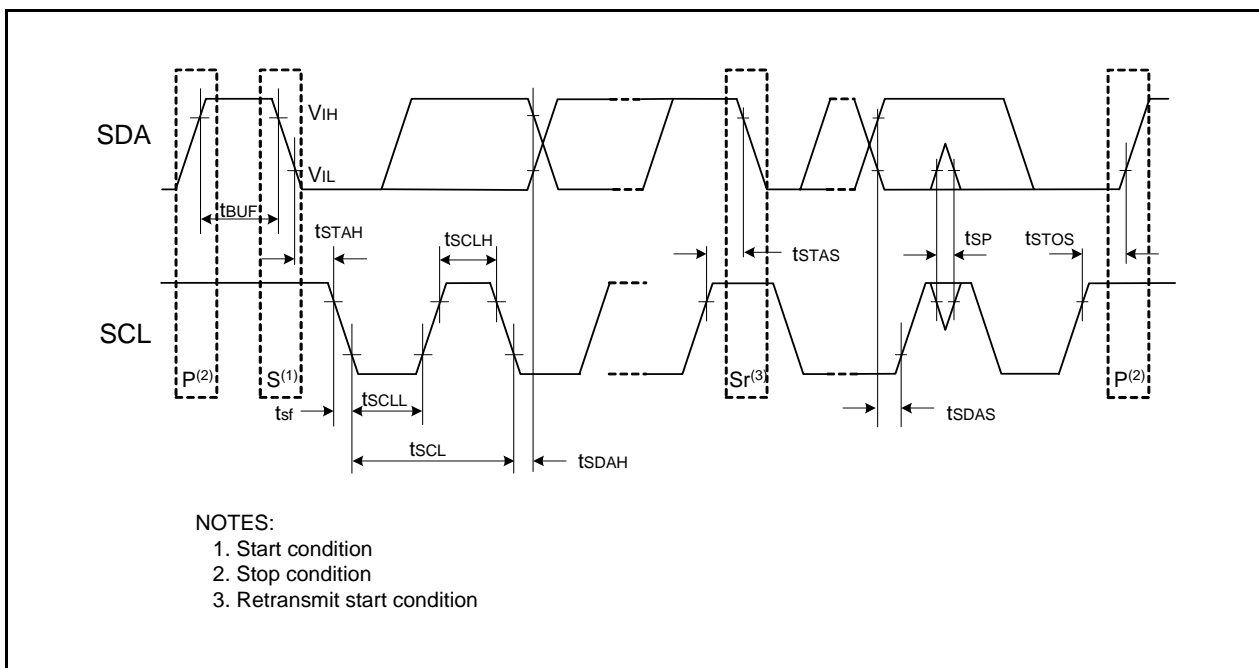


Figure 19.7 I/O Timing of I²C bus Interface

Table 19.14 Electrical Characteristics (1) [V_{CC} = 5 V]

Symbol	Parameter		Condition		Standard			Unit
					Min.	Typ.	Max.	
V _{OH}	Output "H" voltage	Except X _{OUT}	I _{OH} = -5 mA		V _{CC} - 2.0	-	V _{CC}	V
			I _{OH} = -200 μA		V _{CC} - 0.3	-	V _{CC}	V
		X _{OUT}	Drive capacity HIGH	I _{OH} = -1 mA	V _{CC} - 2.0	-	V _{CC}	V
			Drive capacity LOW	I _{OH} = -500 μA	V _{CC} - 2.0	-	V _{CC}	V
V _{OL}	Output "L" voltage	Except P1_0 to P1_3, X _{OUT}	I _{OL} = 5 mA		-	-	2.0	V
			I _{OL} = 200 μA		-	-	0.45	V
		P1_0 to P1_3	Drive capacity HIGH	I _{OL} = 15 mA	-	-	2.0	V
			Drive capacity LOW	I _{OL} = 5 mA	-	-	2.0	V
			Drive capacity LOW	I _{OL} = 200 μA	-	-	0.45	V
		X _{OUT}	Drive capacity HIGH	I _{OL} = 1 mA	-	-	2.0	V
			Drive capacity LOW	I _{OL} = 500 μA	-	-	2.0	V
		V _{T+} -V _{T-}	Hysteresis	INT ₀ , INT ₁ , INT ₃ , K _{I0} , K _{I1} , K _{I2} , K _{I3} , CNTR ₀ , CNTR ₁ , TCIN, RXD ₀			0.2	-
RESET				0.2	-	2.2	V	
I _{IH}	Input "H" current		V _I = 5 V		-	-	5.0	μA
I _{IL}	Input "L" current		V _I = 0 V		-	-	-5.0	μA
R _{PULLUP}	Pull-up resistance		V _I = 0 V		30	50	167	kΩ
R _{FXIN}	Feedback resistance	X _{IN}			-	1.0	-	MΩ
f _{RING-S}	Low-speed on-chip oscillator frequency				40	125	250	kHz
V _{RAM}	RAM hold voltage		During stop mode		2.0	-	-	V

NOTE:

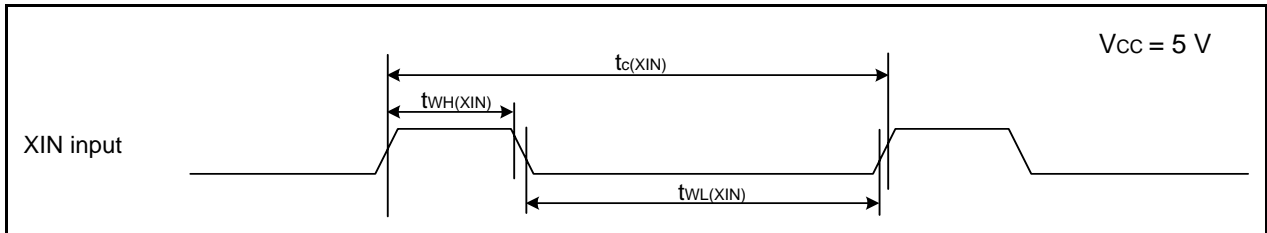
- V_{CC} = 4.2 to 5.5 V at T_{opr} = -20 to 85 °C / -40 to 85 °C, f(X_{IN}) = 20 MHz, unless otherwise specified.

Table 19.15 Electrical Characteristics (2) [Vcc = 5 V] (Topr = -40 to 85 °C, unless otherwise specified.)

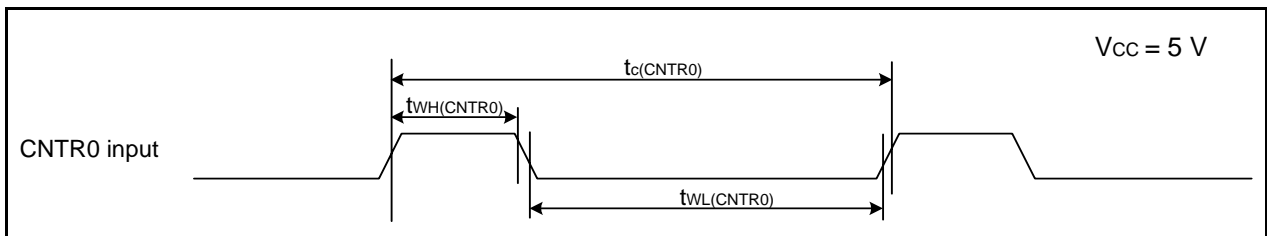
Symbol	Parameter	Condition	Standard			Unit	
			Min.	Typ.	Max.		
Icc	Power supply current (Vcc = 3.3 to 5.5 V) Single-chip mode, output pins are open, other pins are Vss, A/D converter is stopped	High-speed mode	XIN = 20 MHz (square wave) High-speed on-chip oscillator off Low-speed on-chip oscillator on = 125 kHz No division	–	9	15	mA
			XIN = 16 MHz (square wave) High-speed on-chip oscillator off Low-speed on-chip oscillator on = 125 kHz No division	–	8	14	mA
			XIN = 10 MHz (square wave) High-speed on-chip oscillator off Low-speed on-chip oscillator on = 125 kHz No division	–	5	–	mA
		Medium-speed mode	XIN = 20 MHz (square wave) High-speed on-chip oscillator off Low-speed on-chip oscillator on = 125 kHz Divide-by-8	–	4	–	mA
			XIN = 16 MHz (square wave) High-speed on-chip oscillator off Low-speed on-chip oscillator on = 125 kHz Divide-by-8	–	3	–	mA
			XIN = 10 MHz (square wave) High-speed on-chip oscillator off Low-speed on-chip oscillator on = 125 kHz Divide-by-8	–	2	–	mA
		High-speed on-chip oscillator mode	Main clock off High-speed on-chip oscillator on = 8 MHz Low-speed on-chip oscillator on = 125 kHz No division	–	4	8	mA
			Main clock off High-speed on-chip oscillator on = 8 MHz Low-speed on-chip oscillator on = 125 kHz Divide-by-8	–	1.5	–	mA
		Low-speed on-chip oscillator mode	Main clock off High-speed on-chip oscillator off Low-speed on-chip oscillator on = 125 kHz Divide-by-8 FMR47 = 1	–	110	300	μA
		Wait mode	Main clock off High-speed on-chip oscillator off Low-speed on-chip oscillator on = 125 kHz While a WAIT instruction is executed Peripheral clock operation VCA27 = VCA26 = 0	–	40	80	μA
		Wait mode	Main clock off High-speed on-chip oscillator off Low-speed on-chip oscillator on = 125 kHz While a WAIT instruction is executed Peripheral clock off VCA27 = VCA26 = 0	–	38	76	μA
		Stop mode	Main clock off, Topr = 25 °C High-speed on-chip oscillator off Low-speed on-chip oscillator off CM10 = 1 Peripheral clock off VCA27 = VCA26 = 0	–	0.8	3.0	μA

Timing Requirements(Unless otherwise specified: $V_{CC} = 5\text{ V}$, $V_{SS} = 0\text{ V}$ at $T_a = 25\text{ }^\circ\text{C}$) [$V_{CC} = 5\text{ V}$]**Table 19.16 XIN Input**

Symbol	Parameter	Standard		Unit
		Min.	Max.	
$t_{c(XIN)}$	XIN input cycle time	50	–	ns
$t_{WH(XIN)}$	XIN input "H" width	25	–	ns
$t_{WL(XIN)}$	XIN input "L" width	25	–	ns

**Figure 19.8 XIN Input Timing Diagram when $V_{CC} = 5\text{ V}$** **Table 19.17 CNTR0 Input, CNTR1 Input, $\overline{INT1}$ Input**

Symbol	Parameter	Standard		Unit
		Min.	Max.	
$t_{c(CNTR0)}$	CNTR0 input cycle time	100	–	ns
$t_{WH(CNTR0)}$	CNTR0 input "H" width	40	–	ns
$t_{WL(CNTR0)}$	CNTR0 input "L" width	40	–	ns

**Figure 19.9 CNTR0 Input, CNTR1 Input, $\overline{INT1}$ Input Timing Diagram when $V_{CC} = 5\text{ V}$** **Table 19.18 TCIN Input, $\overline{INT3}$ Input**

Symbol	Parameter	Standard		Unit
		Min.	Max.	
$t_{c(TCIN)}$	TCIN input cycle time	400 ⁽¹⁾	–	ns
$t_{WH(TCIN)}$	TCIN input "H" width	200 ⁽²⁾	–	ns
$t_{WL(TCIN)}$	TCIN input "L" width	200 ⁽²⁾	–	ns

NOTES:

1. When using timer C input capture mode, adjust the cycle time to $(1/\text{timer C count source frequency} \times 3)$ or above.
2. When using timer C input capture mode, adjust the pulse width to $(1/\text{timer C count source frequency} \times 1.5)$ or above.

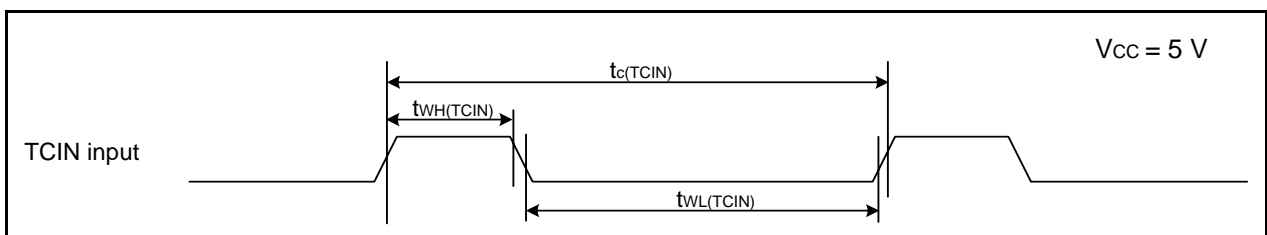
**Figure 19.10 TCIN Input, $\overline{INT3}$ Input Timing Diagram when $V_{CC} = 5\text{ V}$**

Table 19.19 Serial Interface

Symbol	Parameter	Standard		Unit
		Min.	Max.	
$t_{c(CK)}$	CLKi input cycle time	200	–	ns
$t_{w(CKH)}$	CLKi input “H” width	100	–	ns
$t_{w(CKL)}$	CLKi input “L” width	100	–	ns
$t_{d(C-Q)}$	TXDi output delay time	–	50	ns
$t_{h(C-Q)}$	TXDi hold time	0	–	ns
$t_{su(D-C)}$	RXDi input setup time	50	–	ns
$t_{h(C-D)}$	RXDi input hold time	90	–	ns

i = 0 or 1

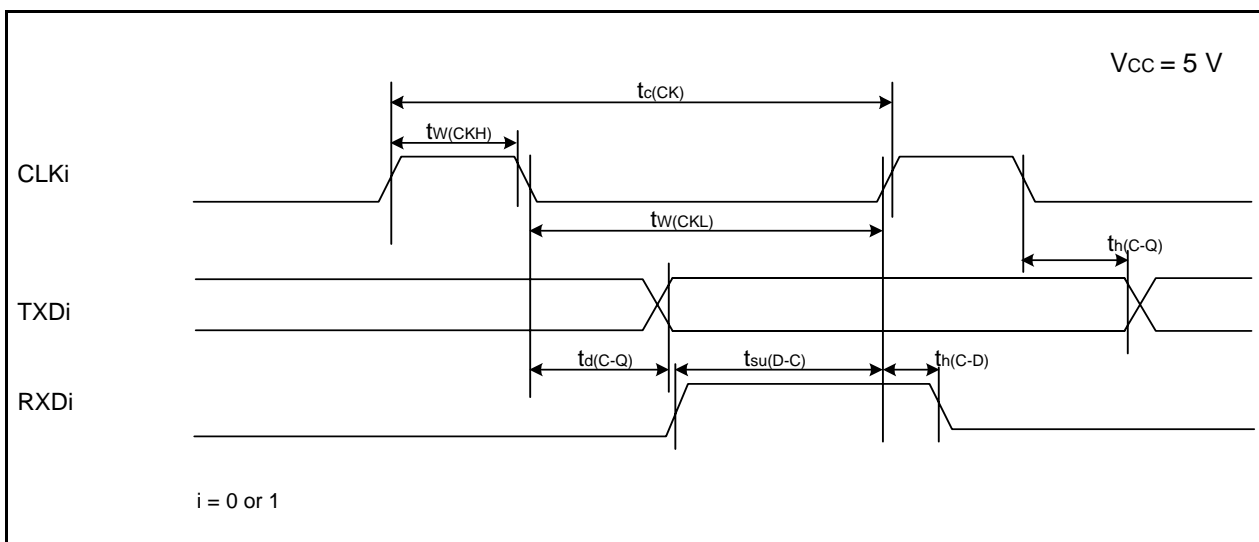


Figure 19.11 Serial Interface Timing Diagram when Vcc = 5 V

Table 19.20 External Interrupt $\overline{INT0}$ Input

Symbol	Parameter	Standard		Unit
		Min.	Max.	
$t_{w(INH)}$	$\overline{INT0}$ input “H” width	250 ⁽¹⁾	–	ns
$t_{w(INL)}$	$\overline{INT0}$ input “L” width	250 ⁽²⁾	–	ns

NOTES:

1. When selecting the digital filter by the $\overline{INT0}$ input filter select bit, use an $\overline{INT0}$ input HIGH width of either (1/digital filter clock frequency x 3) or the minimum value of standard, whichever is greater.
2. When selecting the digital filter by the $\overline{INT0}$ input filter select bit, use an $\overline{INT0}$ input LOW width of either (1/digital filter clock frequency x 3) or the minimum value of standard, whichever is greater.

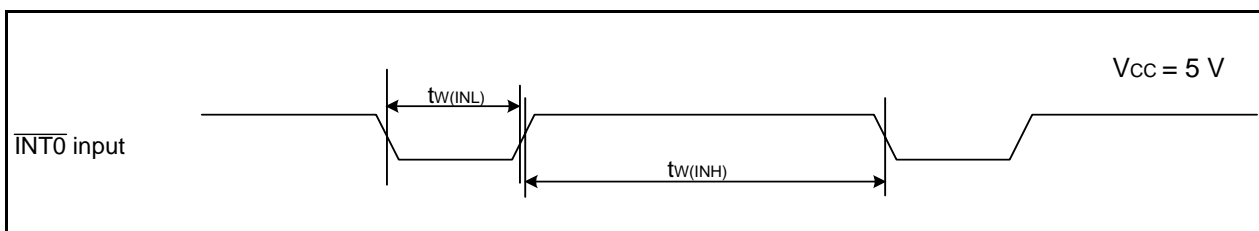


Figure 19.12 External Interrupt $\overline{INT0}$ Input Timing Diagram when Vcc = 5 V

Table 19.21 Electrical Characteristics (3) [V_{CC} = 3V]

Symbol	Parameter		Condition		Standard			Unit
					Min.	Typ.	Max.	
V _{OH}	Output "H" voltage	Except X _{OUT}	I _{OH} = -1 mA		V _{CC} - 0.5	-	V _{CC}	V
		X _{OUT}	Drive capacity HIGH	I _{OH} = -0.1 mA	V _{CC} - 0.5	-	V _{CC}	V
			Drive capacity LOW	I _{OH} = -50 μA	V _{CC} - 0.5	-	V _{CC}	V
V _{OL}	Output "L" voltage	Except P1_0 to P1_3, X _{OUT}	I _{OL} = 1 mA		-	-	0.5	V
		P1_0 to P1_3	Drive capacity HIGH	I _{OL} = 2 mA	-	-	0.5	V
			Drive capacity LOW	I _{OL} = 1 mA	-	-	0.5	V
		X _{OUT}	Drive capacity HIGH	I _{OL} = 0.1 mA	-	-	0.5	V
			Drive capacity LOW	I _{OL} = 50 μA	-	-	0.5	V
V _{T+} -V _{T-}	Hysteresis	$\overline{\text{INT0}}, \overline{\text{INT1}}, \overline{\text{INT3}}, \overline{\text{KI0}}, \overline{\text{KI1}}, \overline{\text{KI2}}, \overline{\text{KI3}}, \overline{\text{CNTR0}}, \overline{\text{CNTR1}}, \overline{\text{TCIN}}, \overline{\text{RXD0}}$			0.2	-	0.8	V
		$\overline{\text{RESET}}$			0.2	-	1.8	V
I _{IH}	Input "H" current		V _I = 3 V		-	-	4.0	μA
I _{IL}	Input "L" current		V _I = 0 V		-	-	-4.0	μA
R _{PULLUP}	Pull-up resistance		V _I = 0 V		66	160	500	kΩ
R _{I_{XIN}}	Feedback resistance	X _{I_N}			-	3.0	-	MΩ
f _{FRING-S}	Low-speed on-chip oscillator frequency				40	125	250	kHz
V _{RAM}	RAM hold voltage		During stop mode		2.0	-	-	V

NOTE:

1. V_{CC} = 2.7 to 3.3 V at T_{opr} = -20 to 85 °C / -40 to 85 °C, f(X_{I_N}) = 10 MHz, unless otherwise specified.

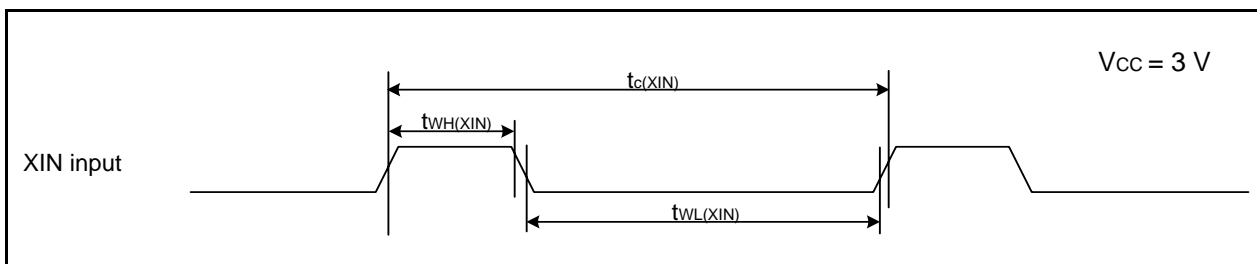
Table 19.22 Electrical Characteristics (4) [Vcc = 3 V] (Topr = -40 to 85 °C, unless otherwise specified.)

Symbol	Parameter	Condition	Standard			Unit	
			Min.	Typ.	Max.		
Icc	Power supply current (Vcc = 2.7 to 3.3 V) Single-chip mode, output pins are open, other pins are Vss, A/D converter is stopped	High-speed mode	XIN = 20 MHz (square wave) High-speed on-chip oscillator off Low-speed on-chip oscillator on = 125 kHz No division	–	8	13	mA
			XIN = 16 MHz (square wave) High-speed on-chip oscillator off Low-speed on-chip oscillator on = 125 kHz No division	–	7	12	mA
			XIN = 10 MHz (square wave) High-speed on-chip oscillator off Low-speed on-chip oscillator on = 125 kHz No division	–	5	–	mA
		Medium-speed mode	XIN = 20 MHz (square wave) High-speed on-chip oscillator off Low-speed on-chip oscillator on = 125 kHz Divide-by-8	–	3	–	mA
			XIN = 16 MHz (square wave) High-speed on-chip oscillator off Low-speed on-chip oscillator on = 125 kHz Divide-by-8	–	2.5	–	mA
			XIN = 10 MHz (square wave) High-speed on-chip oscillator off Low-speed on-chip oscillator on = 125 kHz Divide-by-8	–	1.6	–	mA
		High-speed on-chip oscillator mode	Main clock off High-speed on-chip oscillator on = 8 MHz Low-speed on-chip oscillator on = 125 kHz No division	–	3.5	7.5	mA
			Main clock off High-speed on-chip oscillator on = 8 MHz Low-speed on-chip oscillator on = 125 kHz Divide-by-8	–	1.5	–	mA
		Low-speed on-chip oscillator mode	Main clock off High-speed on-chip oscillator off Low-speed on-chip oscillator on = 125 kHz Divide-by-8 FMR47 = 1	–	100	280	μA
		Wait mode	Main clock off High-speed on-chip oscillator off Low-speed on-chip oscillator on = 125 kHz While a WAIT instruction is executed Peripheral clock operation VCA27 = VCA26 = 0	–	37	74	μA
		Wait mode	Main clock off High-speed on-chip oscillator off Low-speed on-chip oscillator on = 125 kHz While a WAIT instruction is executed Peripheral clock off VCA27 = VCA26 = 0	–	35	70	μA
		Stop mode	Main clock off, Topr = 25 °C High-speed on-chip oscillator off Low-speed on-chip oscillator off CM10 = 1 Peripheral clock off VCA27 = VCA26 = 0	–	0.7	3.0	μA

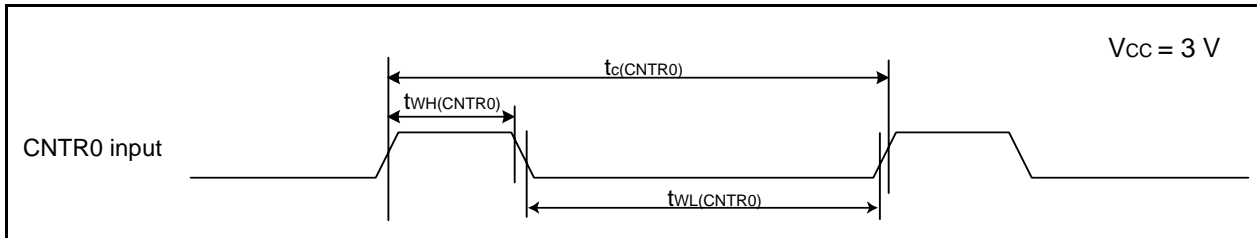
Timing requirements (Unless Otherwise Specified: $V_{CC} = 3\text{ V}$, $V_{SS} = 0\text{ V}$ at $T_a = 25\text{ }^\circ\text{C}$) [$V_{CC} = 3\text{ V}$]

Table 19.23 XIN Input

Symbol	Parameter	Standard		Unit
		Min.	Max.	
$t_{c(XIN)}$	XIN input cycle time	100	–	ns
$t_{WH(XIN)}$	XIN input "H" width	40	–	ns
$t_{WL(XIN)}$	XIN input "L" width	40	–	ns

Figure 19.13 XIN Input Timing Diagram when $V_{CC} = 3\text{ V}$ Table 19.24 CNTR0 Input, CNTR1 Input, $\overline{INT1}$ Input

Symbol	Parameter	Standard		Unit
		Min.	Max.	
$t_{c(CNTR0)}$	CNTR0 input cycle time	300	–	ns
$t_{WH(CNTR0)}$	CNTR0 input "H" width	120	–	ns
$t_{WL(CNTR0)}$	CNTR0 input "L" width	120	–	ns

Figure 19.14 CNTR0 Input, CNTR1 Input, $\overline{INT1}$ Input Timing Diagram when $V_{CC} = 3\text{ V}$ Table 19.25 TCIN Input, $\overline{INT3}$ Input

Symbol	Parameter	Standard		Unit
		Min.	Max.	
$t_{c(TCIN)}$	TCIN input cycle time	1,200 ⁽¹⁾	–	ns
$t_{WH(TCIN)}$	TCIN input "H" width	600 ⁽²⁾	–	ns
$t_{WL(TCIN)}$	TCIN input "L" width	600 ⁽²⁾	–	ns

NOTES:

1. When using the timer C input capture mode, adjust the cycle time to (1/timer C count source frequency x 3) or above.
2. When using the timer C input capture mode, adjust the width to (1/timer C count source frequency x 1.5) or above.

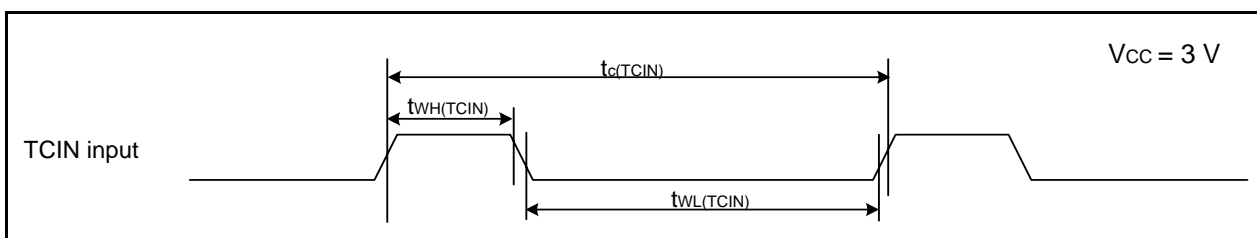
Figure 19.15 TCIN Input, $\overline{INT3}$ Input Timing Diagram when $V_{CC} = 3\text{ V}$

Table 19.26 Serial Interface

Symbol	Parameter	Standard		Unit
		Min.	Max.	
$t_{c(CK)}$	CLKi input cycle time	300	–	ns
$t_{w(CKH)}$	CLKi input “H” width	150	–	ns
$t_{w(CKL)}$	CLKi input “L” width	150	–	ns
$t_{d(C-Q)}$	TXDi output delay time	–	80	ns
$t_{h(C-Q)}$	TXDi hold time	0	–	ns
$t_{su(D-C)}$	RXDi input setup time	70	–	ns
$t_{h(C-D)}$	RXDi input hold time	90	–	ns

i = 0 or 1

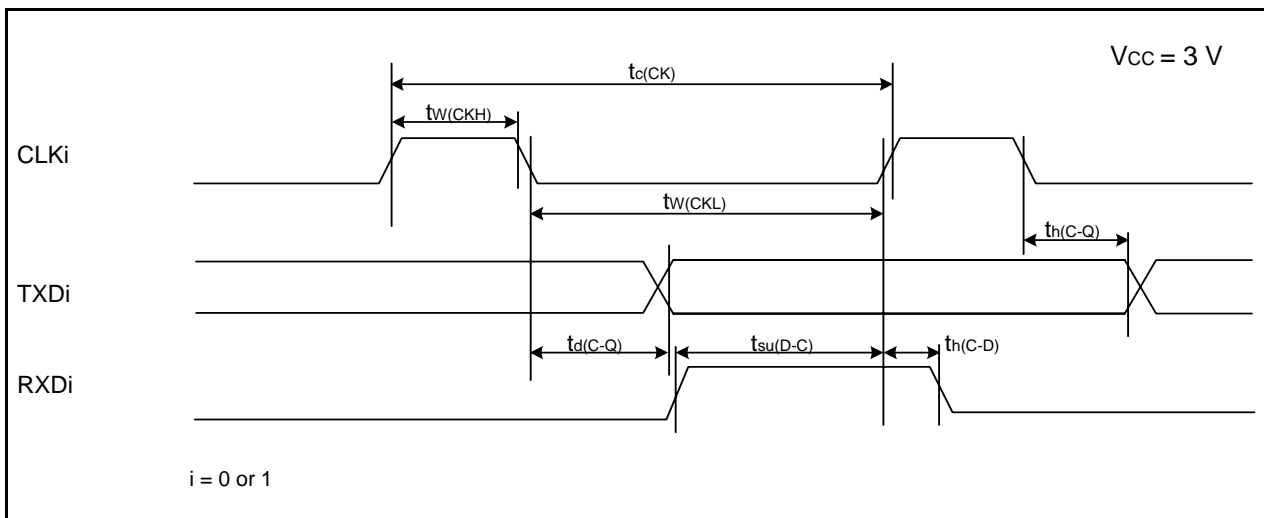


Figure 19.16 Serial Interface Timing Diagram when Vcc = 3 V

Table 19.27 External Interrupt $\overline{INT0}$ Input

Symbol	Parameter	Standard		Unit
		Min.	Max.	
$t_{w(INH)}$	$\overline{INT0}$ input “H” width	380 ⁽¹⁾	–	ns
$t_{w(INL)}$	$\overline{INT0}$ input “L” width	380 ⁽²⁾	–	ns

NOTES:

1. When selecting the digital filter by the $\overline{INT0}$ input filter select bit, use an $\overline{INT0}$ input HIGH width of either (1/digital filter clock frequency x 3) or the minimum value of standard, whichever is greater
2. When selecting the digital filter by the $\overline{INT0}$ input filter select bit, use an $\overline{INT0}$ input LOW width of either (1/digital filter clock frequency x 3) or the minimum value of standard, whichever is greater

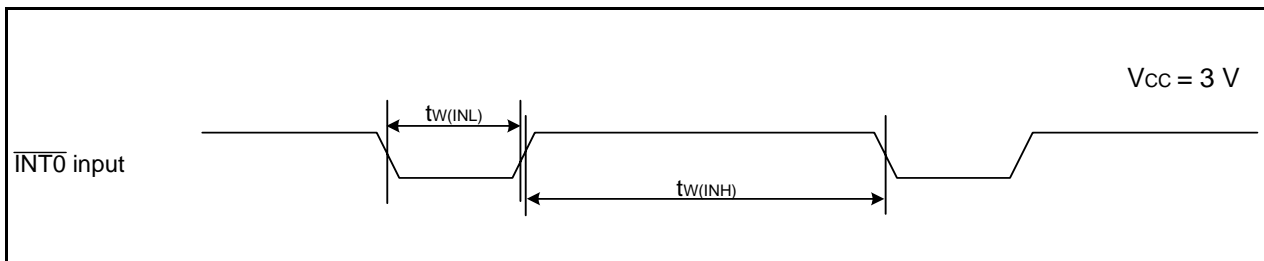


Figure 19.17 External Interrupt $\overline{INT0}$ Input Timing Diagram when Vcc = 3 V

20. Usage Notes

20.1 Notes on Clock Generation Circuit

20.1.1 Stop Mode

When entering stop mode, set the FMR01 bit in the FMR0 register to 0 (CPU rewrite mode disabled) and the CM10 bit in the CM1 register to 1 (stop mode). An instruction queue pre-reads 4 bytes from the instruction which sets the CM10 bit to 1 (stop mode) and the program stops.

Insert at least 4 NOP instructions following the JMP.B instruction after the instruction which sets the CM10 bit to 1.

- Program example to enter stop mode

```

BCLR      1,FMR0      ; CPU rewrite mode disabled
BSET      0,PRCR     ; Protect disabled
FSET      I          ; Enable interrupt
BSET      0,CM1      ; Stop mode
JMP.B     LABEL_001
LABEL_001 :
NOP
NOP
NOP
NOP

```

20.1.2 Wait Mode

When entering wait mode, set the FMR01 bit in the FMR0 register to 0 (CPU rewrite mode disabled) and execute the WAIT instruction. An instruction queue pre-reads 4 bytes from the WAIT instruction and the program stops. Insert at least 4 NOP instructions after the WAIT instruction.

- Program example to execute the WAIT instruction

```

BCLR      1,FMR0      ; CPU rewrite mode disabled
FSET      I          ; Enable interrupt
WAIT      ; Wait mode
NOP
NOP
NOP
NOP

```

20.1.3 Oscillation Stop Detection Function

Since the oscillation stop detection function cannot be used if the main clock frequency is below 2 MHz, set bits OCD1 to OCD0 to 00b (oscillation stop detection function disabled) in this case.

20.1.4 Oscillation Circuit Constants

Ask the manufacturer of the oscillator to specify the best oscillation circuit constants for your system.

20.1.5 High-Speed On-Chip Oscillator Clock

The high-speed on-chip oscillator frequency may be changed up to 10%⁽¹⁾ in flash memory CPU rewrite mode during auto-program operation or auto-erase operation.

The high-speed on-chip oscillator frequency after auto-program operation ends or auto-erase operation ends is held the state before the program command or block erase command is generated. Also, this note is not applicable when the read array command, read status register command, or clear status register command is generated. The application products must be designed with careful considerations for the frequency change.

NOTE:

1. Change ratio to 8 MHz frequency adjusted in shipping.

20.2 Notes on Interrupts

20.2.1 Reading Address 00000h

Do not read address 00000h by a program. When a maskable interrupt request is acknowledged, the CPU reads interrupt information (interrupt number and interrupt request level) from 00000h in the interrupt sequence. At this time, the acknowledged interrupt IR bit is set to 0.

If address 00000h is read by a program, the IR bit for the interrupt which has the highest priority among the enabled interrupts is set to 0. This may cause the interrupt to be canceled, or an unexpected interrupt to be generated.

20.2.2 SP Setting

Set any value in the SP before an interrupt is acknowledged. The SP is set to 0000h after reset. Therefore, if an interrupt is acknowledged before setting a value in the SP, the program may run out of control.

20.2.3 External Interrupt and Key Input Interrupt

Either “L” level or “H” level of at least 250 ns width is necessary for the signal input to pins $\overline{\text{INT0}}$ to $\overline{\text{INT3}}$ and pins $\overline{\text{KI0}}$ to $\overline{\text{KI3}}$, regardless of the CPU clock.

20.2.4 Watchdog Timer Interrupt

Reset the watchdog timer after a watchdog timer interrupt is generated.

20.2.5 Changing Interrupt Sources

The IR bit in the interrupt control register may be set to 1 (interrupt requested) when the interrupt source changes. When using an interrupt, set the IR bit to 0 (no interrupt requested) after changing the interrupt source. In addition, changes of interrupt sources include all factors that change the interrupt sources assigned to individual software interrupt numbers, polarities, and timing. Therefore, if a mode change of a peripheral function involves interrupt sources, edge polarities, and timing, set the IR bit to 0 (no interrupt requested) after the change. Refer to the individual peripheral function for its related interrupts.

Figure 20.1 shows an Example of Procedure for Changing Interrupt Sources.

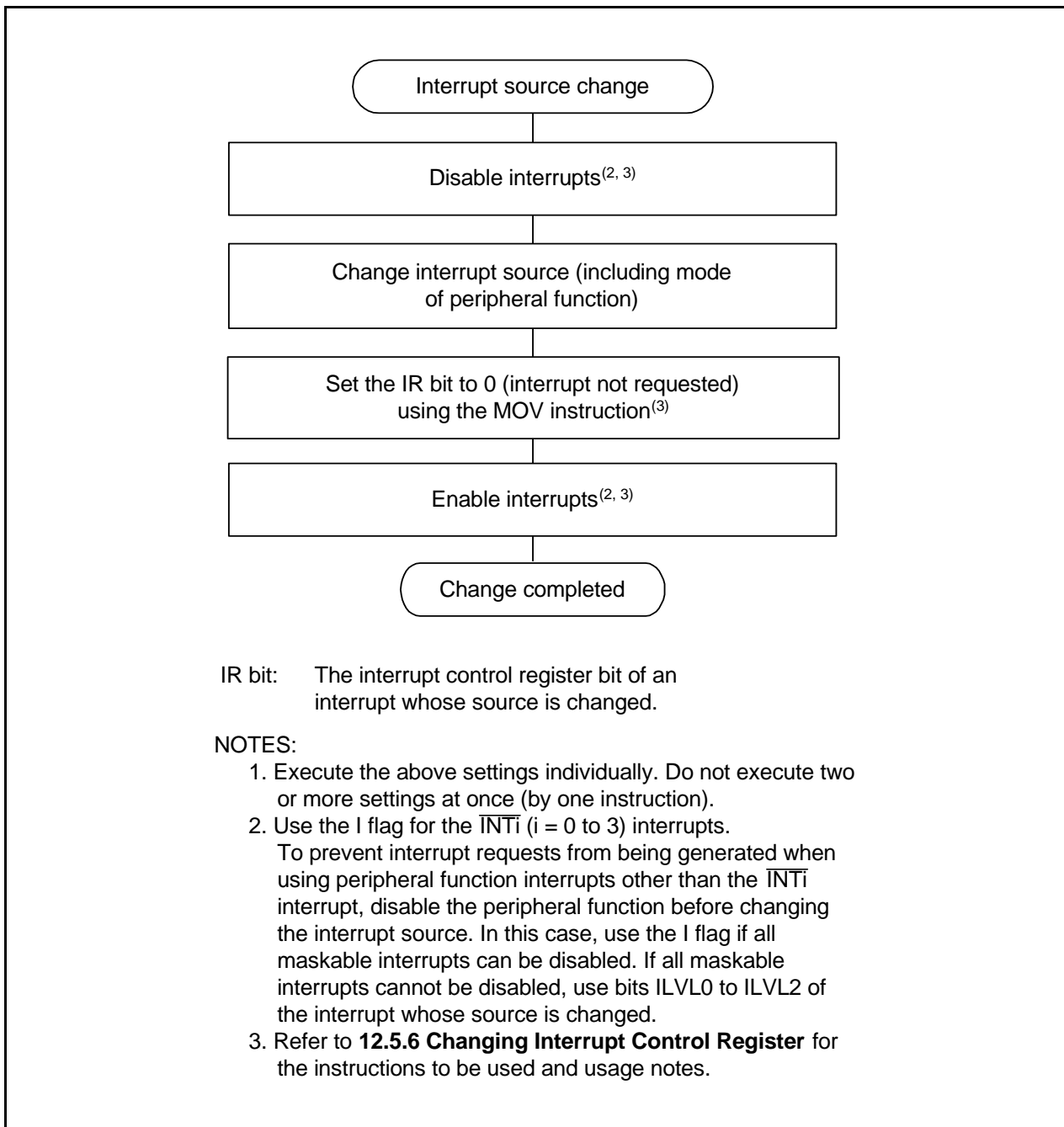


Figure 20.1 Example of Procedure for Changing Interrupt Sources

20.2.6 Changing Interrupt Control Register Contents

- (a) The contents of an interrupt control register can only be changed while no interrupt requests corresponding to that register are generated. If interrupt requests may be generated, disable interrupts before changing the interrupt control register contents.
- (b) When changing the contents of an interrupt control register after disabling interrupts, be careful to choose appropriate instructions.

Changing any bit other than IR bit

If an interrupt request corresponding to a register is generated while executing the instruction, the IR bit may not be set to 1 (interrupt requested), and the interrupt request may be ignored. If this causes a problem, use the following instructions to change the register: AND, OR, BCLR, BSET

Changing IR bit

If the IR bit is set to 0 (interrupt not requested), it may not be set to 1 depending on the instruction used. Therefore, use the MOV instruction to set the IR bit to 1.

- (c) When disabling interrupts using the I flag, set the I flag as shown in the sample programs below. Refer to (b) regarding changing the contents of interrupt control registers by the sample programs.

Sample programs 1 to 3 are for preventing the I flag from being set to 1 (interrupts enabled) before the interrupt control register is changed for reasons of the internal bus or the instruction queue buffer.

Example 1: Use NOP instructions to prevent I flag from being set to 1 before interrupt control register is changed

```
INT_SWITCH1:
  FCLR   I           ; Disable interrupts
  AND.B  #00H,0056H ; Set TXIC register to 00h
  NOP                    ;
  NOP                    ;
  FSET   I           ; Enable interrupts
```

Example 2: Use dummy read to delay FSET instruction

```
INT_SWITCH2:
  FCLR   I           ; Disable interrupts
  AND.B  #00H,0056H ; Set TXIC register to 00h
  MOV.W  MEM,R0      ; Dummy read
  FSET   I           ; Enable interrupts
```

Example 3: Use POPC instruction to change I flag

```
INT_SWITCH3:
  PUSHC  FLG
  FCLR   I           ; Disable interrupts
  AND.B  #00H,0056H ; Set TXIC register to 00h
  POPC   FLG        ; Enable interrupts
```

20.3 Precautions on Timers

20.3.1 Notes on Timer X

- Timer X stops counting after a reset. Set the values in the timer and prescaler before the count starts.
- Even if the prescaler and timer are read out in 16-bit units, these registers are read 1 byte at a time by the MCU. Consequently, the timer value may be updated during the period when these two registers are being read.
- Do not rewrite bits TXMOD0 to TXMOD1, and bits TXMOD2 and TXS simultaneously.
- In pulse period measurement mode, bits TXEDG and TXUND in the TXMR register can be set to 0 by writing 0 to these bits by a program. However, these bits remain unchanged if 1 is written. When using the READ-MODIFY-WRITE instruction for the TXMR register, the TXEDG or TXUND bit may be set to 0 although these bits are set to 1 while the instruction is being executed. In this case, write 1 to the TXEDG or TXUND bit which is not supposed to be set to 0 with the MOV instruction.
- When changing to pulse period measurement mode from another mode, the contents of bits TXEDG and TXUND are undefined. Write 0 to bits TXEDG and TXUND before the count starts.
- The TXEDG bit may be set to 1 by the prescaler X underflow generated after the count starts.
- When using the pulse period measurement mode, leave two or more periods of the prescaler X immediately after the count starts, then set the TXEDG bit to 0.
- The TXS bit in the TXMR register has a function to instruct timer X to start or stop counting and a function to indicate that the count has started or stopped.
0 (count stops) can be read until the following count source is applied after 1 (count starts) is written to the TXS bit while the count is being stopped. If the following count source is applied, 1 can be read from the TXS bit. After writing 1 to the TXS bit, do not access registers associated with timer X (registers TXMR, PREX, TX, TCSS, and TXIC) except for the TXS bit, until 1 can be read from the TXS bit. The count starts at the following count source after the TXS bit is set to 1.
Also, after writing 0 (count stops) to the TXS bit during the count, timer X stops counting at the following count source.
1 (count starts) can be read by reading the TXS bit until the count stops after writing 0 to the TXS bit. After writing 0 to the TXS bit, do not access registers associated with timer X except for the TXS bit, until 0 can be read from the TXS bit.

20.3.2 Notes on Timer Z

- Timer Z stops counting after a reset. Set the values in the timer and prescaler before the count starts.
- Even if the prescaler and timer are read out in 16-bit units, these registers are read 1 byte at a time by the MCU. Consequently, the timer value may be updated during the period when these two registers are being read.
- Do not rewrite bits TZMOD0 to TZMOD1, and the TZS bit simultaneously.
- In programmable one-shot generation mode, and programmable wait one-shot generation mode, when setting the TZS bit in the TZMR register to 0 (stops counting) or setting the TZOS bit in the TZOC register to 0 (stops one-shot), the timer reloads the value of the reload register and stops. Therefore, in programmable one-shot generation mode and programmable wait one-shot generation mode read the timer count value before the timer stops.
- The TZS bit in the TZMR register has a function to instruct timer Z to start or stop counting and a function to indicate that the count has started or stopped.
0 (count stops) can be read until the following count source is applied after 1 (count starts) is written to the TZS bit while the count is being stopped. If the following count source is applied, 1 can be read from the TZS bit. After writing 1 to the TZS bit, do not access registers associated with timer Z (registers TZMR, PREZ, TZSC, TZPR, TZOC, PUM, TCSC, and TZIC) except for the TZS bit, until 1 can be read from the TZS bit. The count starts at the following count source after the TZS bit is set to 1.
Also, after writing 0 (count stops) to the TZS bit during the count, timer Z stops counting at the following count source.
1 (count starts) can be read by reading the TZS bit until the count stops after writing 0 to the TZS bit. After writing 0 to the TZS bit, do not access registers associated with timer Z except for the TZS bit, until 0 can be read from the TZS bit.

20.3.3 Notes on Timer C

Access registers TC, TM0, and TM1 in 16-bit units.

The TC register can be read in 16-bit units. This prevents the timer value from being updated between when the low-order bytes and high-order bytes are being read.

Example of reading timer C:

```
MOV.W    0090H,R0    ; Read out timer C
```

20.4 Notes on Serial Interface

- When reading data from the UORB register either in the clock asynchronous serial I/O mode or in the clock synchronous serial I/O mode. Ensure the data is read in 16-bit units. When the high-order byte of the UORB register is read, bits PER and FER in the UORB register and the RI bit in the UOC1 register are set to 0. To check receive errors, read the UiRB register and then use the read data.

Example (when reading receive buffer register):

```
MOV.W    00A6H,R0    ; Read the UORB register
```

- When writing data to the U0TB register in the clock asynchronous serial I/O mode with 9-bit transfer data length, write data to the high-order byte first then the low-order byte, in 8-bit units.

Example (when reading transmit buffer register):

```
MOV.B    #XXH,00A3H  ; Write the high-order byte of U0TB register
```

```
MOV.B    #XXH,00A2H  ; Write the low-order byte of U0TB register
```

20.5 Precautions on Clock Synchronous Serial Interface

20.5.1 Notes on Clock Synchronous Serial I/O with Chip Select

Set the IICSEL bit in the PMR register to 0 (select clock synchronous serial I/O with chip select function) to use the clock synchronous serial I/O with chip select function.

20.5.1.1 Accessing Registers Associated with Clock Synchronous Serial I/O with Chip Select

After waiting three instructions or more after writing to the registers associated with clock synchronous serial I/O with chip select (00B8h to 00BFh) or four cycles or more after writing to them, read the registers.

- An example of waiting three instructions or more

```

Program example      MOV.B      #00h,00BBh      ; Set the SSER register to 00h.
                    NOP
                    NOP
                    NOP
                    MOV.B      00BBh,R0L

```

- An example of waiting four cycles or more

```

Program example      BCLR      4,00BBh      : Disable transmission
                    JMP.B      NEXT
NEXT:
                    BSET      3,00BBh      : Enable reception

```

20.5.1.2 Selecting SSI Signal Pin

Set the SOOS bit in the SSMR2 register to 0 (CMOS output) in the following settings:

- SSUMS bit in SSMR2 register = 1 (4-wire bus communication mode)
- BIDE bit in SSMR2 register = 0 (standard mode)
- MSS bit in SSCRH register = 0 (operate as slave device)
- SSISEL bit in PMR register = 1 (use P1_6 pin for SSI01 pin)

Do not use the SSI01 pin with NMOS open drain output for the above settings.

20.5.2 Notes on I²C bus Interface

Set the IICSEL bit in the PMR register to 1 (select I²C bus interface function) to use the I²C bus interface.

20.5.2.1 Accessing of Registers Associated with I²C bus Interface

Wait for three instructions or more or four cycles or more after writing to the same register among the registers associated with the I²C bus Interface (00B8h to 00BFh) before reading it.

- An example of waiting three instructions or more

```

Program example      MOV.B  #00h,00BBh    ; Set ICIER register to 00h
                    NOP
                    NOP
                    NOP
                    MOV.B  00BBh,R0L
  
```

- An example of waiting four cycles or more

```

Program example      BCLR   6,00BBh    ; Disable transmit end interrupt request
                    JMP.B  NEXT
NEXT:
                    BSET   7,00BBh    ; Enable transmit data empty interrupt request
  
```


20.6 Notes on A/D Converter

- Write to each bit (other than bit 6) in the ADCON0 register, each bit in the ADCON1 register, or the SMP bit in the ADCON2 register when A/D conversion is stopped (before a trigger occurs).
- When the VCUT bit in the ADCON1 register is changed from 0 (VREF not connected) to 1 (VREF connected), wait for at least 1 μ s before starting A/D conversion.
- After changing the A/D operating mode, select an analog input pin again.
- When using the one-shot mode, ensure that A/D conversion is completed before reading the AD register. The IR bit in the ADIC register or the ADST bit in the ADCON0 register can be used to determine whether A/D conversion is completed.
- When using the repeat mode, use the undivided main clock as the CPU clock.
- If the ADST bit in the ADCON0 register is set to 0 (A/D conversion stops) by a program and A/D conversion is forcibly terminated during an A/D conversion operation, the conversion result of the A/D converter will be undefined. If the ADST bit is set to 0 by a program, do not use the value of the AD register.

20.7 Notes on Flash Memory

20.7.1 CPU Rewrite Mode

20.7.1.1 Operating Speed

Before entering CPU rewrite mode (EW0 mode), select 5 MHz or below for the CPU clock using the CM06 bit in the CM0 register and bits CM16 to CM17 in the CM1 register. This does not apply to EW1 mode.

20.7.1.2 Prohibited Instructions

The following instructions cannot be used in EW0 mode because they reference data in the flash memory: UND, INTO, and BRK.

20.7.1.3 Interrupts

Table 20.1 lists the EW0 Mode Interrupts and Table 20.2 lists the EW1 Mode Interrupts.

Table 20.1 EW0 Mode Interrupts

Mode	Status	When Maskable Interrupt Request is Acknowledged	When Watchdog Timer, Oscillation Stop Detection and Voltage Monitor 2 Interrupt Request is Acknowledged
EW0	During auto-erasure	Any interrupt can be used by allocating a vector in RAM	Once an interrupt request is acknowledged, auto-programming or auto-erasure is forcibly stopped immediately and the flash memory is reset. Interrupt handling starts after the fixed period and the flash memory restarts. Since the block during auto-erasure or the address during auto-programming is forcibly stopped, the normal value may not be read. Execute auto-erasure again and ensure it completes normally. Since the watchdog timer does not stop during the command operation, interrupt requests may be generated. Reset the watchdog timer regularly.
	Auto-programming		

NOTES:

1. Do not use the address match interrupt while a command is being executed because the vector of the address match interrupt is allocated in ROM.
2. Do not use a non-maskable interrupt while block 0 is being automatically erased because the fixed vector is allocated in block 0.

Table 20.2 EW1 Mode Interrupts

Mode	Status	When Maskable Interrupt Request is Acknowledged	When Watchdog Timer, Oscillation Stop Detection and Voltage Monitor 2 Interrupt Request is Acknowledged
EW1	During auto-erasure (erase-suspend function enabled)	Auto-erasure is suspended after td(SR-SUS) and interrupt handling is executed. Auto-erasure can be restarted by setting the FMR41 bit in the FMR4 register to 0 (erase restart) after interrupt handling completes.	Once an interrupt request is acknowledged, auto-programming or auto-erasure is forcibly stopped immediately and the flash memory is reset. Interrupt handling starts after the fixed period and the flash memory restarts. Since the block during auto-erasure or the address during auto-programming is forcibly stopped, the normal value may not be read. Execute auto-erasure again and ensure it completes normally. Since the watchdog timer does not stop during the command operation, interrupt requests may be generated. Reset the watchdog timer regularly using the erase-suspend function.
	During auto-erasure (erase-suspend function disabled)	Auto-erasure has priority and the interrupt request acknowledgement is put on standby. Interrupt handling is executed after auto-erasure completes.	
	During auto-programming (program suspend function enabled)	Auto-programming is suspended after td(SR-SUS) and interrupt handling is executed. Auto-programming can be restarted by setting the FMR42 bit in the FMR4 register to 0 (program restart) after interrupt handling completes.	
	During auto-programming (program suspend function disabled)	Auto-programming has priority and the interrupt request acknowledgement is put on standby. Interrupt handling is executed after auto-programming completes.	

NOTES:

1. Do not use the address match interrupt while a command is executing because the vector of the address match interrupt is allocated in ROM.
2. Do not use a non-maskable interrupt while block 0 is being automatically erased because the fixed vector is allocated in block 0.

20.7.1.4 How to Access

Write 0 before writing 1 when setting the FMR01, FMR02, or FMR11 bit to 1. Do not generate an interrupt between writing 0 and 1.

20.7.1.5 Rewriting User ROM Area

In EW0 Mode, if the supply voltage drops while rewriting any block in which a rewrite control program is stored, it may not be possible to rewrite the flash memory because the rewrite control program cannot be rewritten correctly. In this case, use standard serial I/O mode.

20.7.1.6 Program

Do not write additions to the already programmed address.

20.7.1.7 Entering Stop Mode or Wait Mode

Do not enter stop mode or wait mode during erase-suspend.

20.8 Notes on Noise

20.8.1 Inserting a Bypass Capacitor between VCC and VSS Pins as a Countermeasure against Noise and Latch-Up

Connect a bypass capacitor (at least 0.1 μF) using the shortest and thickest wire possible.

20.8.2 Countermeasures against Noise Error of Port Control Registers

During rigorous noise testing or the like, external noise (mainly power supply system noise) can exceed the capacity of the MCU's internal noise control circuitry. In such cases the contents of the port related registers may be changed.

As a firmware countermeasure, it is recommended that the port registers, port direction registers, and pull-up control registers will be reset periodically. However, examine the control processing fully before introducing the reset routine as conflicts may be created between the reset routine and interrupt routines.

21. Notes on On-Chip Debugger

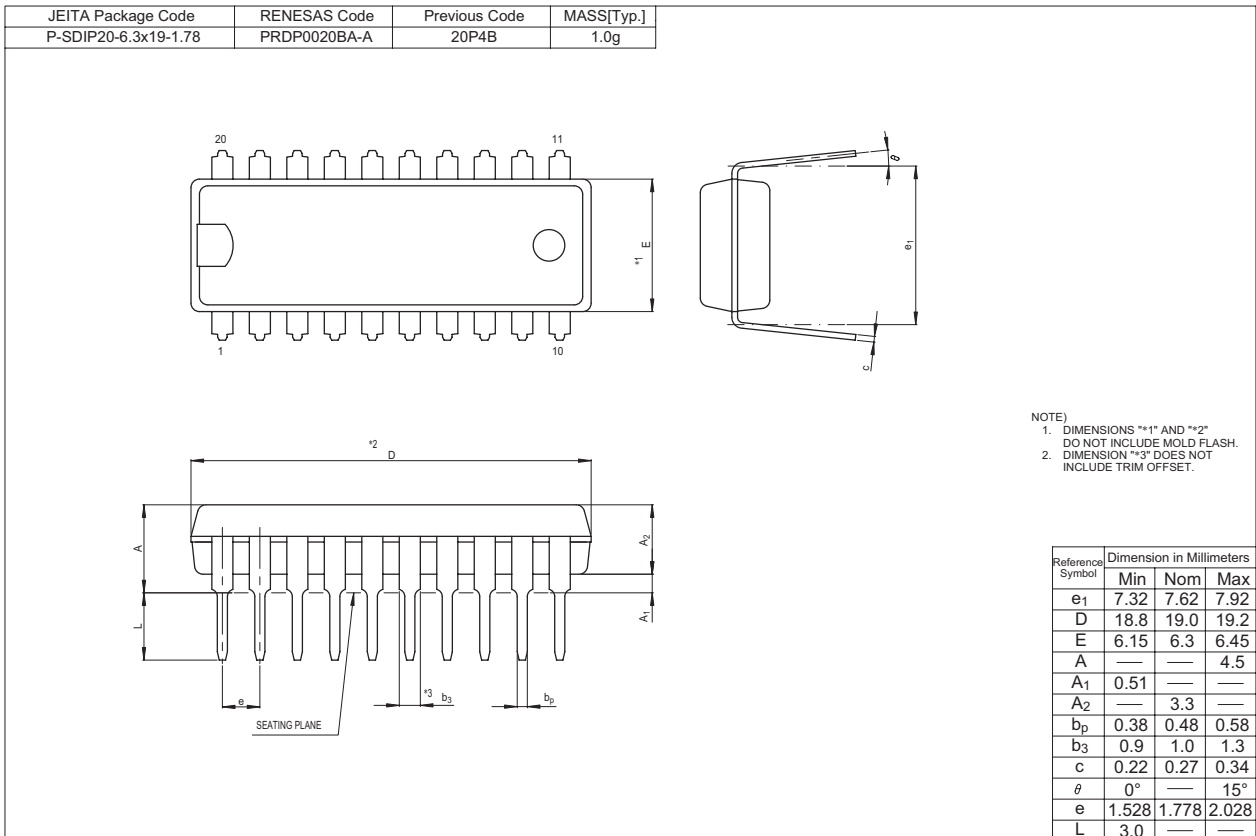
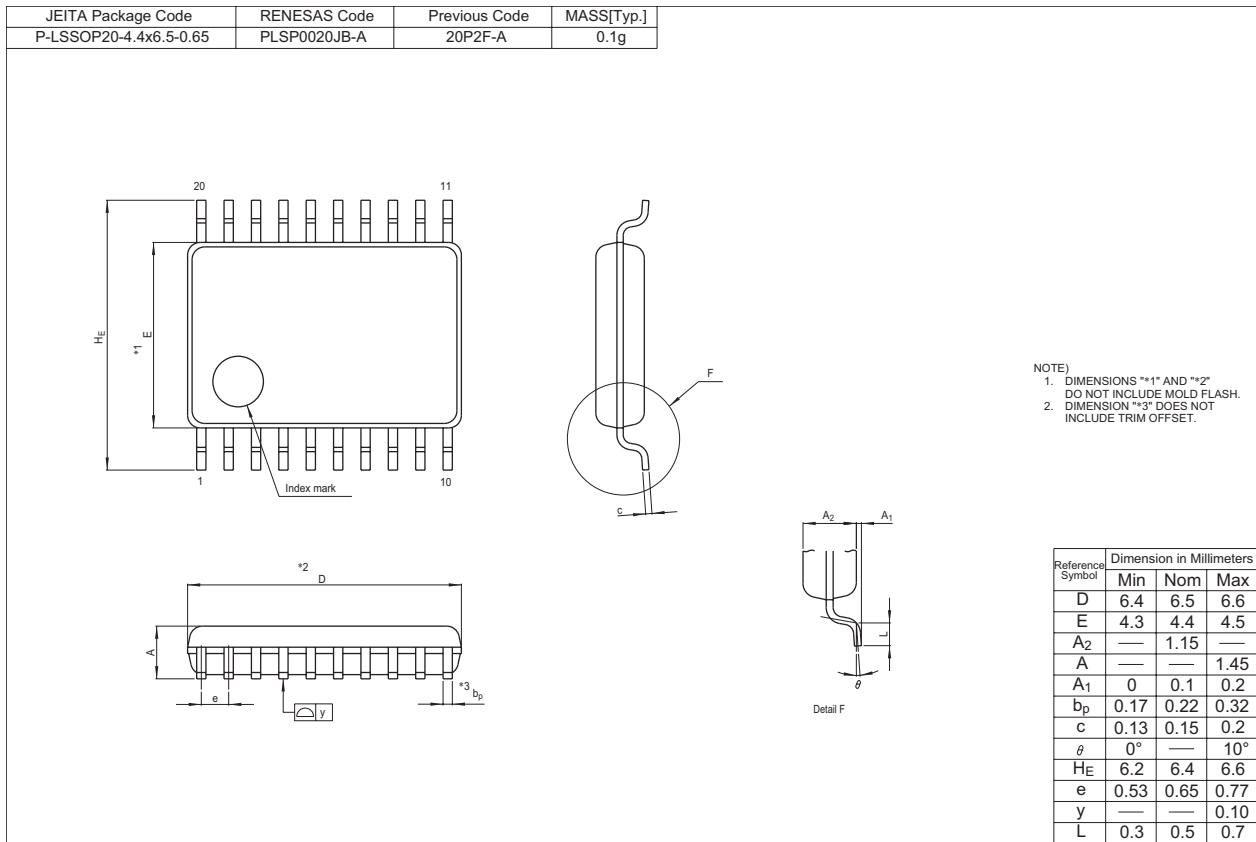
When using on-chip debugger to develop and debug programs for the R8C/1A Group and R8C/1B Group, take note of the following.

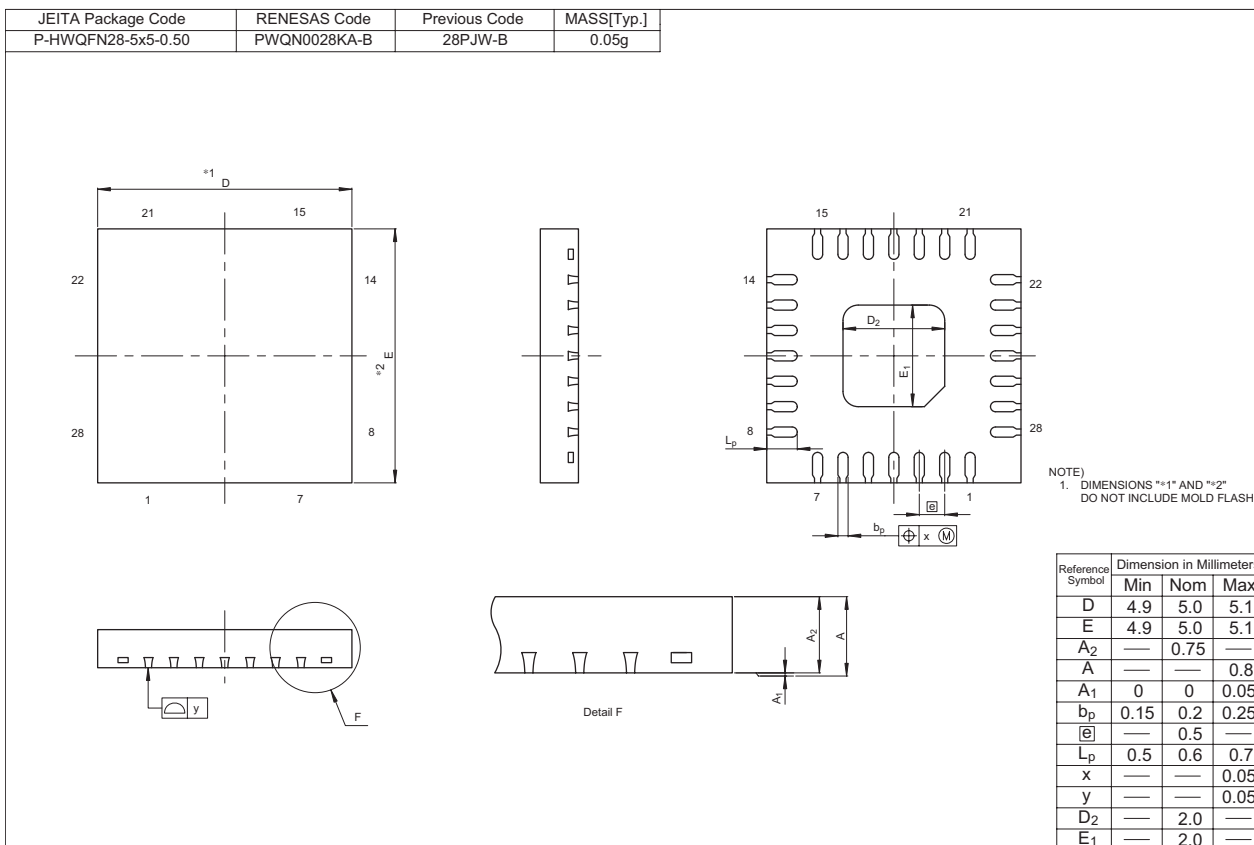
- (1) Do not access the related UART1 registers.
- (2) Some of the user flash memory and RAM areas are used by the on-ship debugger. These areas cannot be accessed by the user.
Refer to the on-chip debugger manual for which areas are used.
- (3) Do not set the address match interrupt (registers AIER, RMAD0, and RMAD1 and fixed vector tables) in a user system.
- (4) Do not use the BRK instruction in a user system.

Connecting and using the on-chip debugger has some special restrictions. Refer to the on-chip debugger manual for on-chip debugger details.

Appendix 1. Package Dimensions

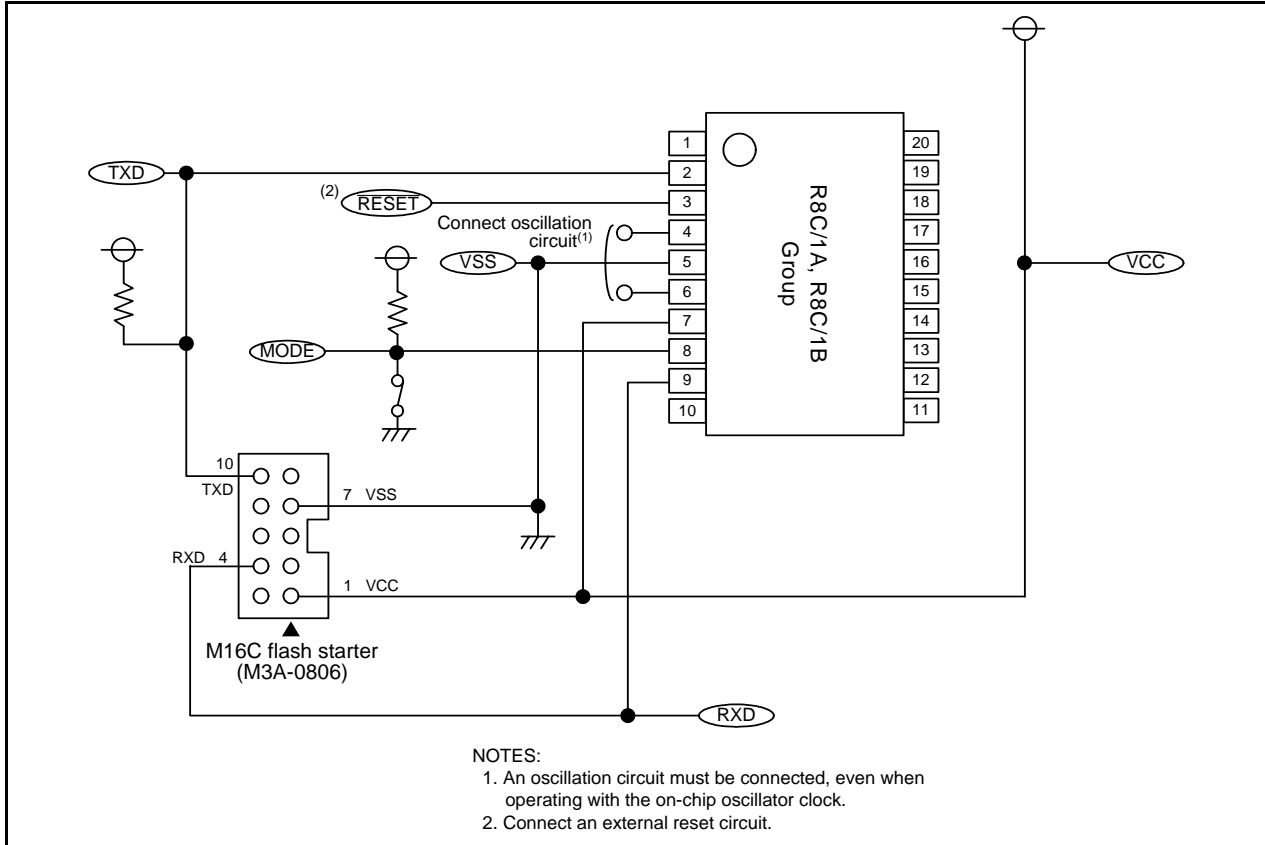
Diagrams showing the latest package dimensions and mounting information are available in the “Packages” section of the Renesas Technology website.



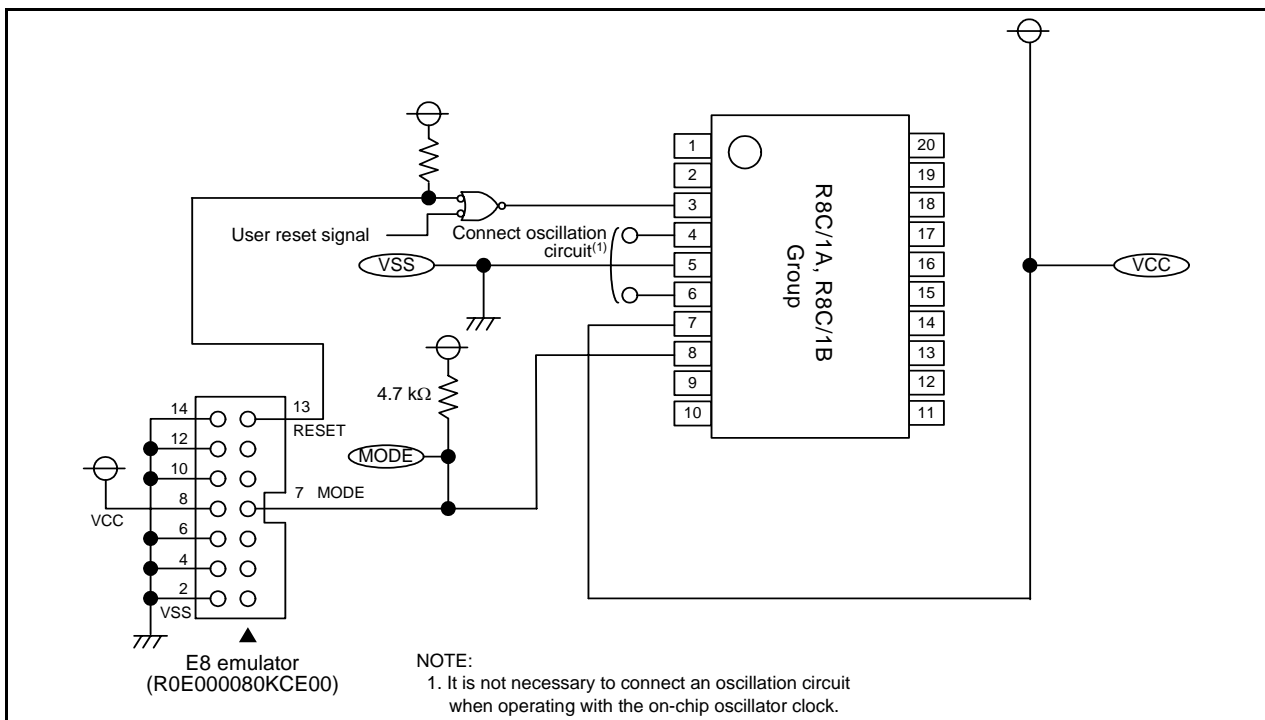


Appendix 2. Connection Examples between Serial Writer and On-Chip Debugging Emulator

Appendix Figure 2.1 shows a Connection Example with M16C Flash Starter (M3A-0806) and Appendix Figure 2.2 shows a Connection Example with E8 Emulator (R0E000080KCE00).



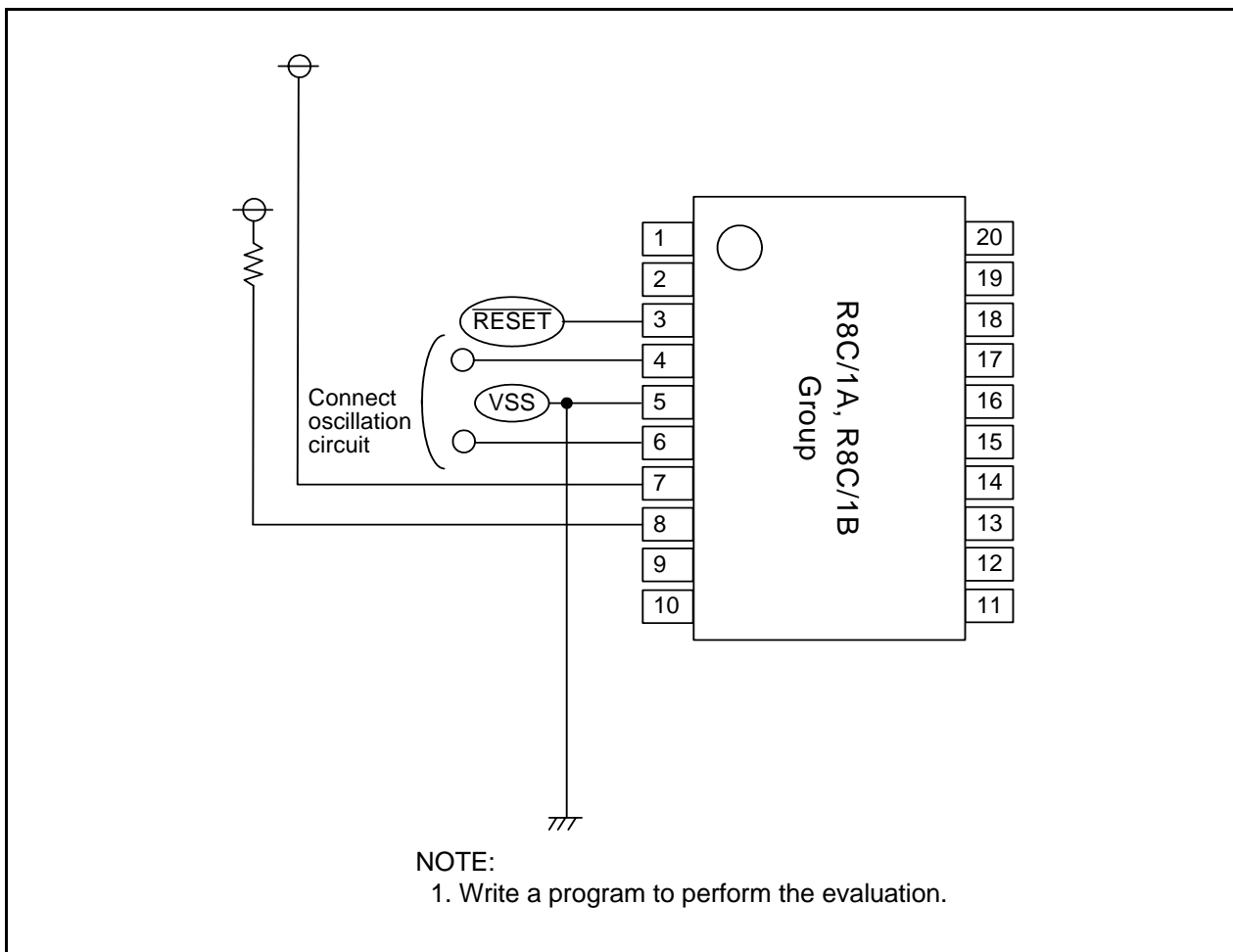
Appendix Figure 2.1 Connection Example with M16C Flash Starter (M3A-0806)



Appendix Figure 2.2 Connection Example with E8 Emulator (R0E000080KCE00)

Appendix 3. Example of Oscillation Evaluation Circuit

Appendix Figure 3.1 shows an Example of Oscillation Evaluation Circuit.



Appendix Figure 3.1 Example of Oscillation Evaluation Circuit

Register Index

A		K	
AD	235	KIEN	97
ADCON0	234	KUPIC	83
ADCON1	234		
ADCON2	235	O	
ADIC	83	OCD	62
AIER	99	OFS	104, 250
C		P	
CM0	60	P1	29
CM1	61	P3	29
CMP0IC	83	P4	30
CMP1IC	83	PD1	29
CSPR	105	PD3	29
		PD4	29
D		PM0	55
DRR	31	PM1	56
		PMR	30, 178, 208
F		PRCR	77
FMR0	255	PREX	111
FMR1	256	PREZ	125
FMR4	257	PUM	126
		PUR0	31
		PUR1	31
H		R	
HRA0	63	RMAD0	99
HRA1	64	RMAD1	99
HRA2	64		
I		S	
ICCR1	202	S0RIC	83
ICCR2	203	S0TIC	83
ICDRR	208	S1RIC	83
ICDRS	208	S1TIC	83
ICDRT	207	SAR	207
ICIER	205	SSCRH	172
ICMR	204	SSCRL	173
ICSR	206	SSER	175
INT0F	91	SSMR	174
INT0IC	84	SSMR2	177
INT1IC	83	SSRDR	178
INT3IC	83	SSSR	176
INTEN	91	SSTDR	178

T

TC	143
TCC0	144
TCC1	145
TCIC	83
TCOUT	146
TCSS	111, 127
TM0	143
TM1	143
TX	111
TXIC	83
TXMR	110
TZIC	83
TZMR	124
TZOC	126
TZPR	125
TZSC	125

U

U0BRG	154
U0C0	156
U0C1	157
U0MR	155
U0RB	154
U0TB	154
U1BRG	154
U1C0	156
U1C1	157
U1MR	155
U1RB	154
U1TB	154
UCON	157

V

VCA1	47
VCA2	47
VW1C	48
VW2C	49

W

WDC	104
WDTR	105
WDTS	105

REVISION HISTORY

R8C/1A Group, R8C/1B Group Hardware Manual

Rev.	Date	Description	
		Page	Summary
0.10	Jun 30, 2005	–	First Edition issued
1.00	Sep 09, 2005	all pages	“Under development” deleted
		3	Table 1.2 Performance Outline of the R8C/1B Group; Flash Memory: (Data area) → (Data flash) (Program area) → (Program ROM) revised
		4	Figure 1.1 Block Diagram; “Peripheral Function” added, “System Clock Generation” → “System Clock Generator” revised
		5	Table 1.3 Product Information of R8C/1A Group; “(D)” and “(D): Under development” deleted
		6	Table 1.4 Product Information of R8C/1B Group; “(D)” and “(D): Under development” deleted ROM capacity: “Program area” → “Program ROM”, “Data area” → “Data flash” revised
		9	Table 1.5 Pin Description; Power Supply Input: “VCC/AVCC” → “VCC”, “VSS/AVSS” → “VSS” revised Analog Power Supply Input: added
		11	Figure 2.1 CPU Register; “Reserved Area” → “Reserved Bit” revised
		13	2.8.10 Reserved Area; “Reserved Area” → “Reserved Bit” revised
		15	3.2 R8C/1B Group, Figure 3.2 Memory Map of R8C/1B Group; “Data area” → “Data flash”, “Program area” → “Program ROM” revised
		17	Table 4.2 SFR Information(2); 004Fh: SSU/IIC Interrupt Control Register(2) SSUAIC/IIC2AIC XXXXX000b added NOTE2 added
		18	Table 4.3 SFR Information(3); 0085h: “Prescaler Z” → “Prescaler Z Register” 0086h: “Timer Z Secondary” → “Timer Z Secondary Register” 0087h: “Timer Z Primary” → “Timer Z Primary Register” 008Ch: “Prescaler X” → “Prescaler X Register” 008Dh: “Timer X” → “Timer X Register” 0090h, 0091h: “Timer C” → “Timer C Register” revised
		20 to 39	“5. Reset” → “5. Programmable I/O Ports” and “6. Programmable I/O Ports” → “6. Reset” revised
		31	Table 5.13 Port P3_4/ $\overline{\text{SCS}}$ /SDA/CMP1_1 Setting “SCS” → “ $\overline{\text{SCS}}$ ” Table 5.14 Port P3_5/SSCK/SCL/CMP1_2 Setting “SSK” → “SSCK”

Rev.	Date	Description	
		Page	Summary
1.00	Sep 09, 2005	33	Table 5.18 Unassigned Pin Handling, Figure 5.11 Unassigned Pin Handling; "Port P4_2, P4_6, P4_7" → "Port P4_6, P4_7" "VREF" → "Port P4_2/VREF" revised
		53	Table 9.2 Bus Cycles for Access Space of the R8C/1B Group added, Table 9.3 Access Unit and Bus Operation; "SFR" → "SFR, Data flash", "ROM/RAM" → "Program ROM, ROM, RAM" revised
		62	10.2.1 Low-speed On-Chip Oscillator Clock; "The application products ... to accommodate the frequency range." → "The application products ... for the frequency change." revised 10.2.2 High-Speed On-Chip Oscillator Clock; "The high-speed on-chip oscillator frequency ... for details." added
		69	10.5.1 How to Use Oscillation Stop Detection Function; "This function cannot ... is 2 MHz or below." → "This function cannot be ... is below 2 MHz." revised
		70	Figure 10.9 Procedure of Switching Clock Source From Low-Speed On-Chip Oscillator to Main Clock revised
		71	10.6.2 Oscillation Stop Detection Function; "Since the oscillation ...frequency is 2MHz or below, ..." → "Since the oscillation ...frequency is below 2MHz, ..." revised 10.6.4 High-Speed On-Ship Oscillator Clock added.
		85	Figure 12.10 Judgement Circuit of Interrupts Priority Level; NOTE2 deleted
		104	Figure 14.1 Block Diagram of Timer X; "Peripheral data bus" → "Data Bus" revised
		117	14.1.6 Precautions on Timer X; "When writing "1" (count starts) to ... writing "1" to the TXS bit." → ' "0" (count stops) can be read ... after the TXS bit is set to "1".' revised
		118	Figure 14.11 Block Diagram of Timer Z; "Peripheral Data Bus" → "Data Bus" revised
		135	14.2.5 Precautions on Timer Z; "When writing "1" (count starts) to ... writing "1" to the TZS bit." → ' "0" (count stops) can be read ... after the TZS bit is set to "1".' revised
		149	Figure 15.3 U0TB to U1TB, U0RB to U1RB and U0BRG to U1BRG Registers; "UARTi Transmit Buffer Register (i=0 to 1)" and "UARTi Receive Buffer Register (i=0 to 1)" revised
		159	Table 15.5 Registers to Be Used and Settings in UART Mode; UiBRG: "-" → "0 to 7" revised
		164	Table 16.1 Mode Selection; "RE and TE Bits in SSER Register" added
193	16.2.8.2 Selecting SSI Signal Pin added		

REVISION HISTORY

R8C/1A Group, R8C/1B Group Hardware Manual

Rev.	Date	Description	
		Page	Summary
1.00	Sep 09, 2005	222	Figure 16.46 Example of Register Setting in Master Transmit Mode (Clock Synchronous Serial Mode); ' • Set the IICSEL bit in the PMR register to "1" ' added
		227	Table 17.1 Performance of A/D Converter • Analog Input Voltage: "0V to Vref" → "0V to AVCC" revised • NOTE1: "When the analog input voltage ... FFh in 8-bit mode." added
		228	Figure 17.1 Block Diagram of A/D Converter; "Vref" → "Vcom" revised
		239	Table 18.1 Flash Memory Version Performance; Program and Erase Endurance: (Program area) → (Program ROM), (Data area) → (Data flash) revised
		241	18.2 Memory Map; "The user ROM ... area ... Block A and B." → "The user ROM ... area (program ROM) ... Block A and B (data flash)." revised Figure 18.1 Flash Memory Block Diagram for R8C/1A Group revised
		242	Figure 18.2 Flash Memory Block Diagram for R8C/1B Group revised
		257	18.4.3.5 Block Erase "The block erase command cannot ... program-suspend." added
		270	Table 19.3 A/D Converter Characteristics; Vref and VIA: Standard value, NOTE4 revised
		271	Table 19.4 Flash Memory (Program ROM) Electrical Characteristics; NOTES3 and 5 revised, NOTE8 deleted
		272	Table 19.5 Flash Memory (Data flash Block A, Block B) Electrical Characteristics; NOTES1 and 3 revised
		274	Table 19.8 Reset Circuit Electrical Characteristics (When Using Voltage Monitor 1 Reset); NOTE2 revised
		275	Table 19.10 High-speed On-Chip Oscillator Circuit Electrical Characteristics; "High-Speed On-Chip Oscillator ..." → "High-Speed On-Chip Oscillator Frequency ..." revised NOTE2 added
		282	Table 19.15 Electrical Characteristics (2) [Vcc = 5V]; NOTE1 deleted
		286	Table 19.22 Electrical Characteristics (4) [Vcc = 3V]; NOTE1 deleted
		293	20.3.1 Precautions on Timer X; "When writing "1" (count starts) to ... writing "1" to the TXS bit." → ' "0" (count stops) can be read ... after the TXS bit is set to "1".' revised 20.3.2 Precautions on Timer Z; "When writing "1" (count starts) to ... writing "1" to the TZS bit." → ' "0" (count stops) can be read ... after the TZS bit is set to "1".' revised
		296	20.5.1.2 Selecting SSI Signal Pin added
		302	21.Precautions on On-Chip Debugger; (1) added

REVISION HISTORY

R8C/1A Group, R8C/1B Group Hardware Manual

Rev.	Date	Description	
		Page	Summary
1.10	Mar 17, 2006	–	Products of PWQN0028KA-B package included
		1	“or SDIP” → “SDIP or a 28-pin plastic molded-HWQFN”
		2, 3	Table 1.1, Table 1.2; “28-pin molded-plastic HWQFN” added
		5, 6	Table 1.3, Table 1.4; Type No. added, deleted
		9	Figure 1.6 added
		12	Table 1.7 added
		16, 17	Figure 3.1, Figure 3.2; Part Number added, deleted
		40	6.2 “When a capacitor is connected to ... pin 0.8VCC or more.” added
		57	Figure 10.1 revised
		66	Table 10.2; CM1 Register; CM17, CM16 revised
		101	Figure 13.2; Option Function Select Register: NOTE 1 revised, NOTE 2 revised Watchdog Timer Control Register: NOTE 1 deleted
		110	Table 14.3; NOTE 1 added
		139	Figure 14.25 revised
		146	Table 14.12; NOTE 1 revised
		151	Figure 15.3; NOTE 3 added
		153	Figure 15.5; NOTE 1 added
		166	Table 16.1 revised
		167	Table 16.2; NOTE 1 deleted
		175	Figure 16.8 SS Transmit Data Register; The last NOTE 1 deleted
		182, 186, 190	16.2.5.2, 16.2.5.4, 16.2.6.2 “When setting the microcomputer to....continuous transmit is enabled.” deleted
		183, 187	Figure 16.14 NOTE 2 deleted
		235	Table 17.3 revised
		240	17.7 added
		248	18.3.2; “To disable ROM code protect ...” revised Figure 18.4; NOTE 1 revised, NOTE 2 added
		253	Figure 18.5; NOTE 6 added
		263	Table 18.5; Value after Reset revised
		265	Figure 18.15 revised
		275	Table 19.4; “Topr” → “Ambient temperature”, Conditions: Vcc = 5.0 V at Topr = 25 °C deleted, NOTE 8 added
		276	Table 19.5; “Topr” → “Ambient temperature”, Conditions: Vcc = 5.0 V at Topr = 25 °C deleted, NOTE 9 added
		279	Table 19.10; NOTE 3 added
280	Table 19.12; Standard of tSA and tOR revised, NOTE: 1. VCC = 2.2 to → 2.7 to		

REVISION HISTORY
R8C/1A Group, R8C/1B Group Hardware Manual

Rev.	Date	Description	
		Page	Summary
1.10	Mar 17, 2006	284 286, 290 288, 292 307,308 309 310	Table 19.13; NOTE: 1. Vcc = 2.2 to → 2.7 to Table 19.15, Table 19.22; The title revised, Condition of Stop Mode “Topr = 25 °C” added Table 19.19, Table 19.26; Standard of td(C-Q) and tsu(D-C) revised Package Dimensions revised, added Appendix Figure 2.1 revised Appendix Figure 3.1 revised
1.20	Oct 03, 2006	all pages 2, 3 34 39 64 75 103 120 164 172 203 210 to 215 250 257 260 261 262 264 267 275 308 310	Y version added Factory programming product added Table 1.1, Table 1.2; Specification Interrupts: “Internal: 9 sources” → “Internal: 11 sources” Table 5.12 Setting Value revised Table 6.2 “Pin Functions after Reset” → “Pin Functions while RESET Pin Level is “L”” Figure 10.6; HRA1 NOTE 2 added, HRA2 NOTE 5 added 10.6.1 revised, 10.6.2 added Figure 13.2; WDC: After Reset “When read, the content is undefined.” added Figure 14.10 pulled up added, NOTE 6 “In this case, of the read-out buffer.” deleted, NOTE 7 deleted Figure 15.10 revised Figure 16.3; SSCRL NOTE 2 revised Figure 16.26 NOTE 3 revised Figure 16.32 to Figure 16.36 revised Table 18.3 Item; Modes after read status register added Figure 18.8 revised 18.4.3.1 “In addition, after a reset.” added 18.4.3.2 “The MCU remains in read command is written.” added 18.4.3.4 “The FMR00 bit is set to 0 during 1 when auto-programming completes.” → “When suspend function 0 when autoprogramming completes.” revised Figure 18.13 added Figure 18.15 revised Figure 18.16 revised Table 19.2; Parameter: System clock added 21. (2) revised, (5) deleted Package Dimensions; PWQN0028KA-B revised
1.30	Dec 08, 2006	20 36 60	Table 4.1; 000Fh: After reset “000XXXXXb” → “00X11111b” Table 5.17 Setting Value revised Figure 10.2 NOTE 4 revised

REVISION HISTORY

R8C/1A Group, R8C/1B Group Hardware Manual

Rev.	Date	Description	
		Page	Summary
1.30	Dec 08, 2006	71	Figure 10.8 added
		73	Figure 10.9 added
		76	10.6.1 revised 10.6.2 "Program example to execute the WAIT instruction" revised
		98	Table 12.6 revised
		104	Figure 13.2; WDC After Reset "00011111b" → "00X11111b"
		160	Figure 15.7 revised
		165	Figure 15.10 revised
		168	15.3 "To check receive errors, read the UiRB register and then use the read data." added
		202	Figure 16.24 NOTE 1 revised
		234	Figure 17.2; ADCON0 NOTE 2 revised
		236	Table 17.2 Stop conditions "when the ADCAP bit is set to 0 (software trigger)" added
		237	Figure 17.4; ADCON0 NOTE 2 revised
		239	Figure 17.5; ADCON0 NOTE 2 revised
		252	18.4.1, 18.4.2 td(SR-ES) → td(SR-SUS)
		276	Table 19.2; Parameter: OCD2 = 1 On-chip oscillator clock selected revised
		296	20.1.1 revised 20.1.2 "Program example to execute the WAIT instruction" revised

R8C/1A Group, R8C/1B Group Hardware Manual

Publication Date : Rev.0.10 Jun 30, 2005
Rev.1.30 Dec 08, 2006

Published by : Sales Strategic Planning Div.
Renesas Technology Corp.

© 2006. Renesas Technology Corp., All rights reserved. Printed in Japan

R8C/1A Group, R8C/1B Group Hardware Manual



Renesas Technology Corp.
2-6-2, Ote-machi, Chiyoda-ku, Tokyo, 100-0004, Japan